



US00D743521S

(12) **United States Design Patent**
Jackson

(10) **Patent No.:** **US D743,521 S**
(45) **Date of Patent:** **** Nov. 17, 2015**

- (54) **ZONE DAMPER**
- (71) Applicant: **Ronald E. Jackson**, Indianapolis, IN (US)
- (72) Inventor: **Ronald E. Jackson**, Indianapolis, IN (US)
- (73) Assignee: **Controlled Holdings, LLC**, Indianapolis, IN (US)
- (**) Term: **14 Years**
- (21) Appl. No.: **29/493,758**
- (22) Filed: **Jun. 12, 2014**
- (51) **LOC (10) Cl.** **23-04**
- (52) **U.S. Cl.**
USPC **D23/393**
- (58) **Field of Classification Search**
USPC D23/385–395, 397, 370–373, 365, 354, D23/399–403, 421, 499; 454/309, 275–277, 454/284, 287–291, 358–363, 259; 52/302.1, 32.07; 285/229, 189, 183, 285/123.1, 15, 114, 110, 424, 197; 137/637.3; 251/305; 165/205
CPC F24F 13/08; F24F 13/082; F24F 13/085; F24F 13/10; F24F 13/12; F24F 13/14; F24F 13/15; F24F 13/16; F24F 13/18; F24F 2001/0044; F24F 2001/0048; F24F 2001/0051; F24F 2001/0055
See application file for complete search history.

2,761,494 A	9/1956	Field	
3,070,345 A	12/1962	Knecht	
3,077,345 A	2/1963	Andersson et al.	
3,311,302 A	3/1967	Merckle	
3,993,096 A	11/1976	Wilson	
4,090,434 A	5/1978	Krisko et al.	
4,163,415 A	8/1979	Neveux	
4,205,783 A *	6/1980	Dietsche et al.	236/1 G
4,236,668 A *	12/1980	Prikkel, III	236/1 G
4,249,883 A *	2/1981	Woolfolk	431/20
4,264,033 A *	4/1981	Kutzner et al.	236/1 G
4,265,394 A *	5/1981	Nagel	236/1 G
4,273,526 A *	6/1981	Perrelli	431/20
4,289,271 A *	9/1981	Barth	236/1 G
4,355,753 A	10/1982	Watanabe	
4,538,980 A *	9/1985	Hoyme	431/20
4,773,362 A	9/1988	Wissmann et al.	

(Continued)

Primary Examiner — David Muller
(74) *Attorney, Agent, or Firm* — Brinks Gilson & Lione

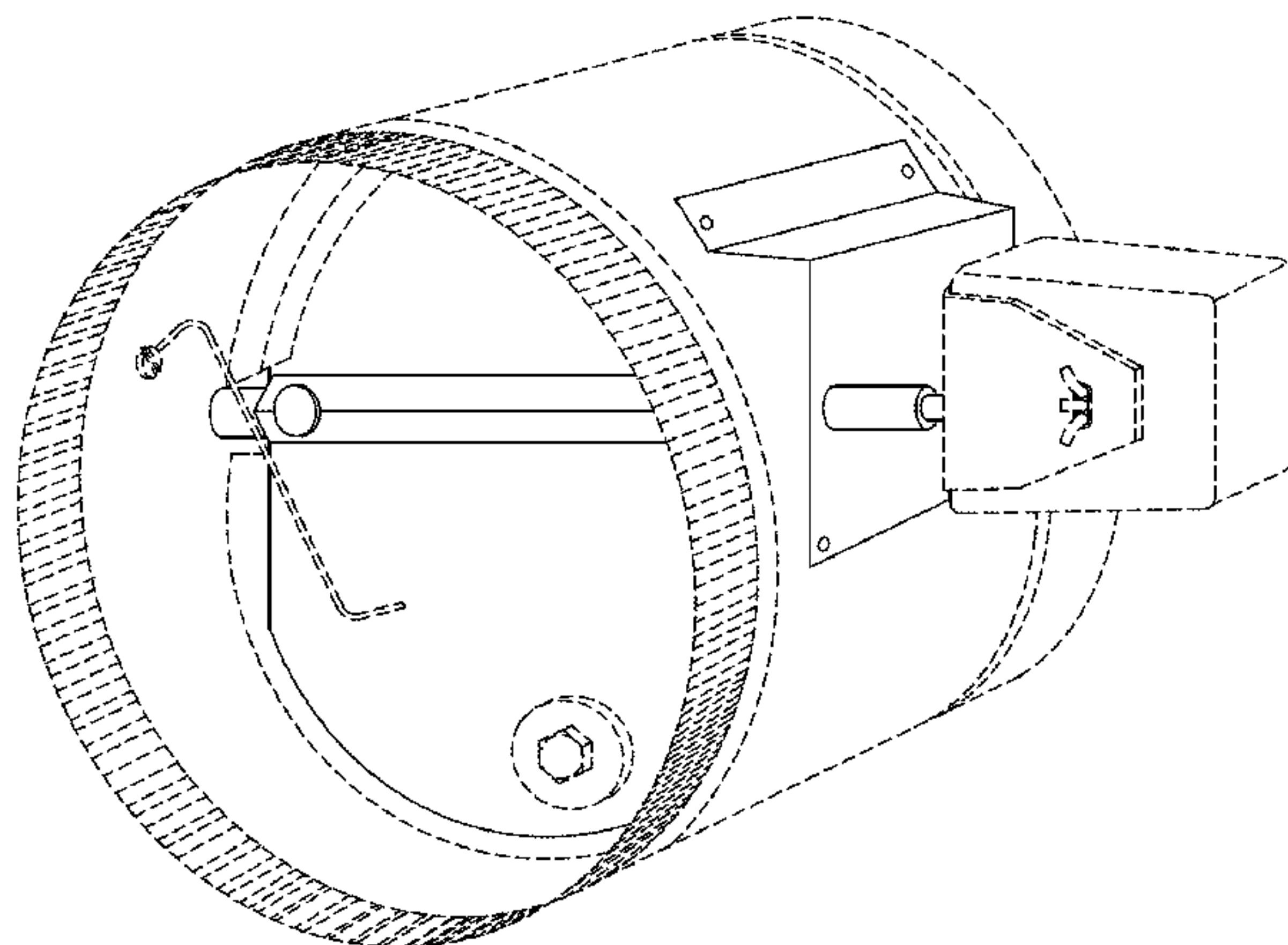
(57) **CLAIM**
I claim the ornamental design for a zone damper, as shown and described.

DESCRIPTION

FIG. 1 is a front elevation view of a zone damper.
 FIG. 2 is a back elevation view of the zone damper shown in FIG. 1.
 FIG. 3 is a top plan view of the zone damper shown in FIG. 1.
 FIG. 4 is a bottom plan view of the zone damper shown in FIG. 1.
 FIG. 5 is a side elevation view of the zone damper taken from the left side of FIG. 1.
 FIG. 6 is side elevation view of the zone damper taken from the right side of FIG. 1; and,
 FIG. 7 is a perspective view taken from the upper back left of the zone damper shown in FIG. 1.
 The broken lines showing parts of the drawings are included for the purpose of illustrating use and environment and form no part of the claimed design.

1 Claim, 7 Drawing Sheets

- (56) **References Cited**
U.S. PATENT DOCUMENTS
- 1,852,918 A 4/1932 Chandler et al.
- 2,037,363 A 4/1936 Branche
- 2,188,775 A 1/1940 Locke
- 2,259,973 A 10/1941 Firehammer
- 2,514,446 A 7/1950 Field, Jr.
- 2,538,190 A 1/1951 Crew
- 2,546,714 A 3/1951 Bataille



(56)

References Cited

U.S. PATENT DOCUMENTS

5,033,362 A *	7/1991	Huckestein	454/322	5,944,445 A	8/1999	Montgomery	
5,139,230 A	8/1992	Lester		6,089,464 A	7/2000	Morgan	
5,249,596 A	10/1993	Hickenlooper, III et al.		6,234,208 B1	5/2001	Magdelyns et al.	
5,345,966 A	9/1994	Dudley		6,364,211 B1	4/2002	Saleh	
5,363,025 A *	11/1994	Colling	318/468	D558,325 S *	12/2007	Karnes	D23/393
5,669,815 A	9/1997	Cakebread		7,478,628 B2	1/2009	Hines	
5,674,125 A	10/1997	Xia et al.		D634,419 S	3/2011	Lambertson	
D386,577 S *	11/1997	Haydock et al.	D23/374	D635,239 S *	3/2011	Liebson et al.	D23/393
				2013/0146272 A1	6/2013	Jackson	
				2013/0149955 A1	6/2013	Jackson	

* cited by examiner

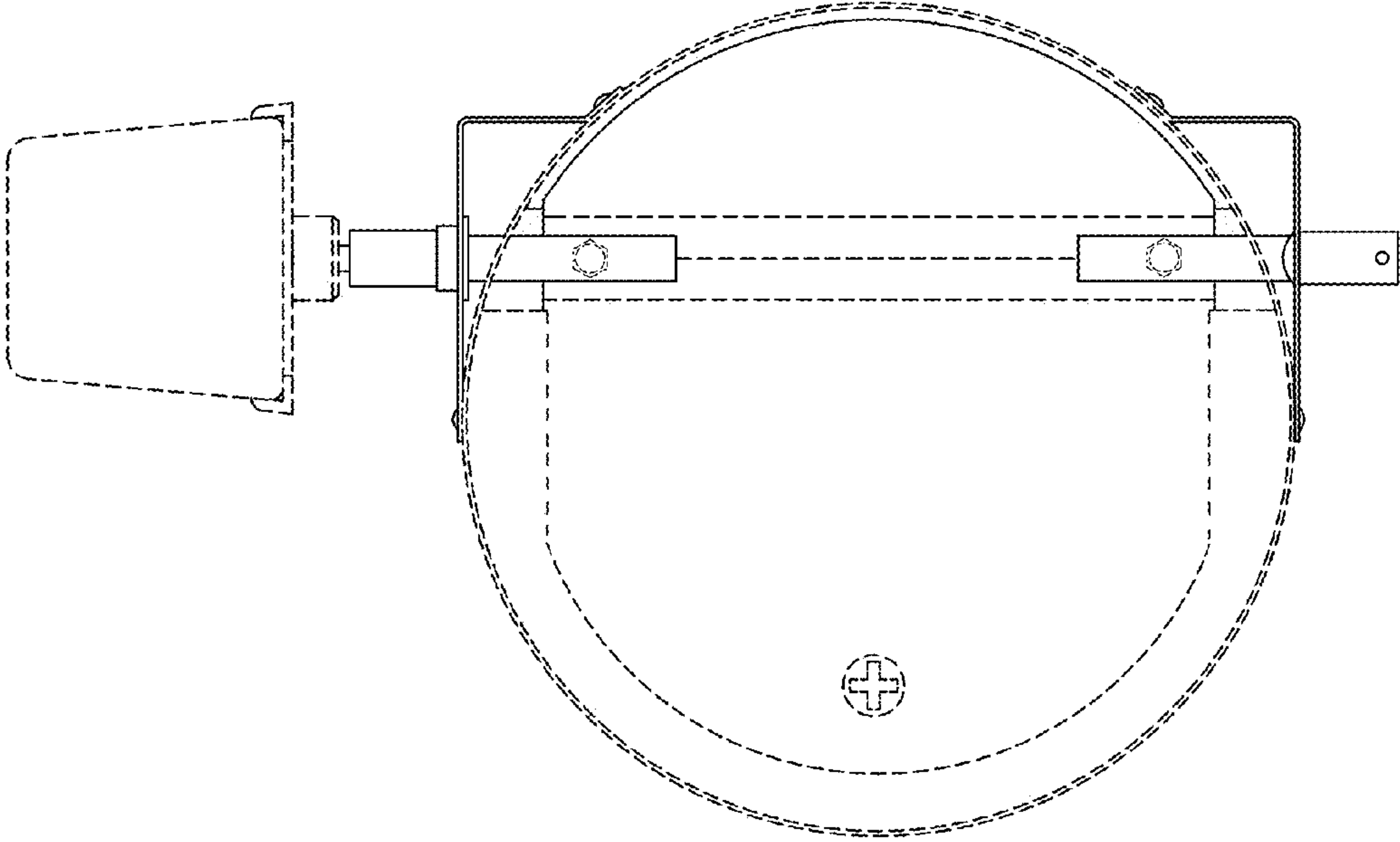


Fig. 1

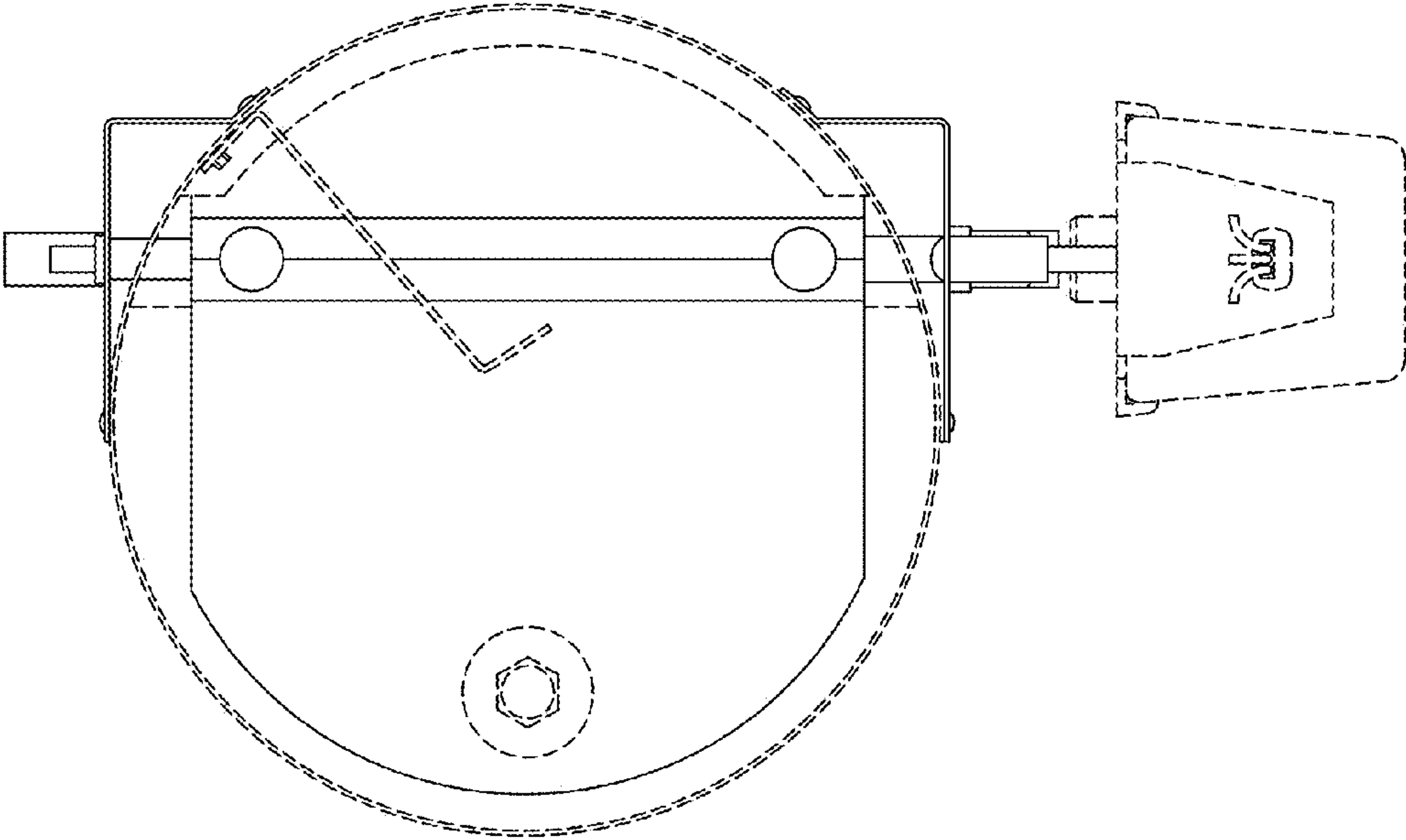


Fig. 2

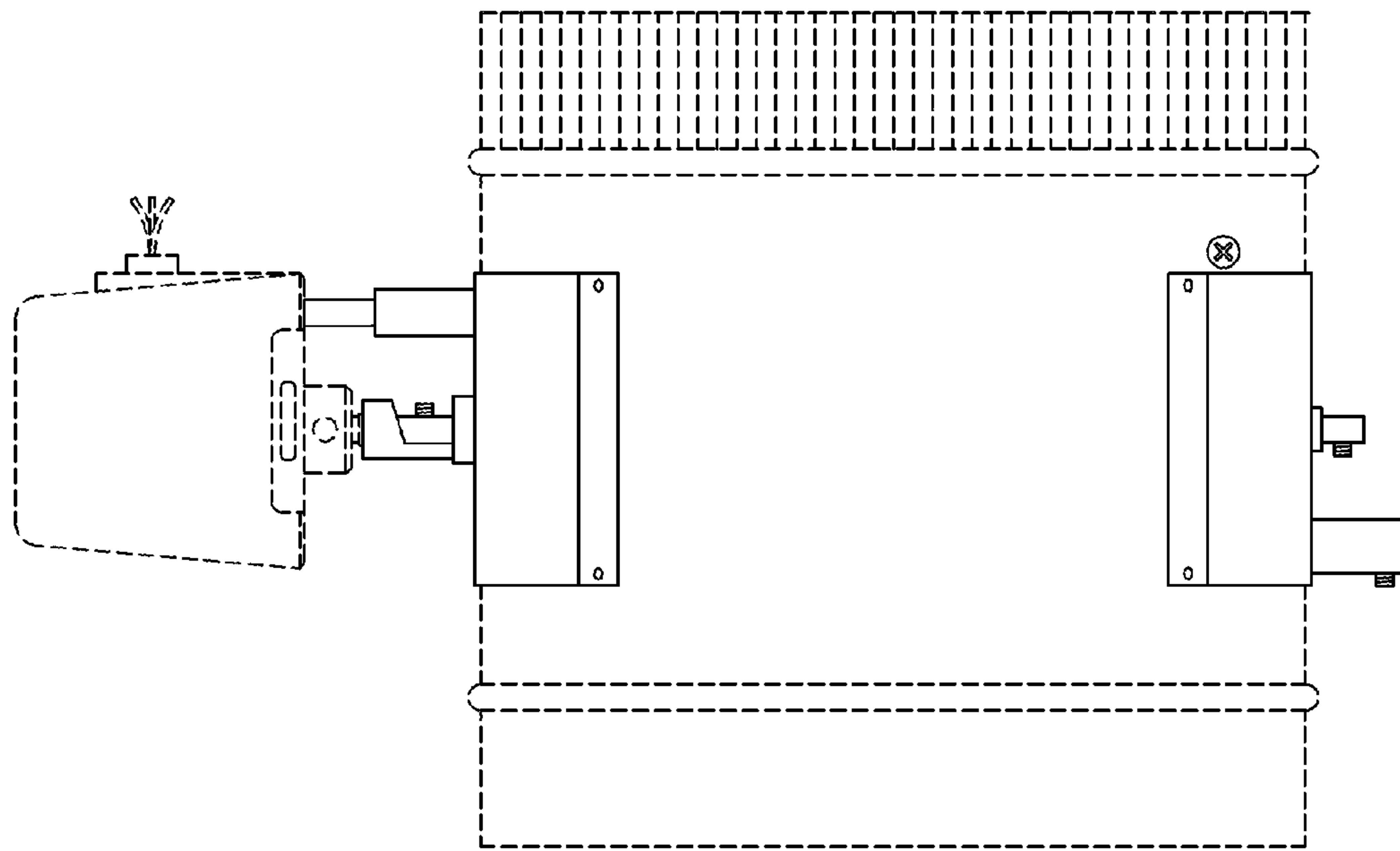


Fig. 3

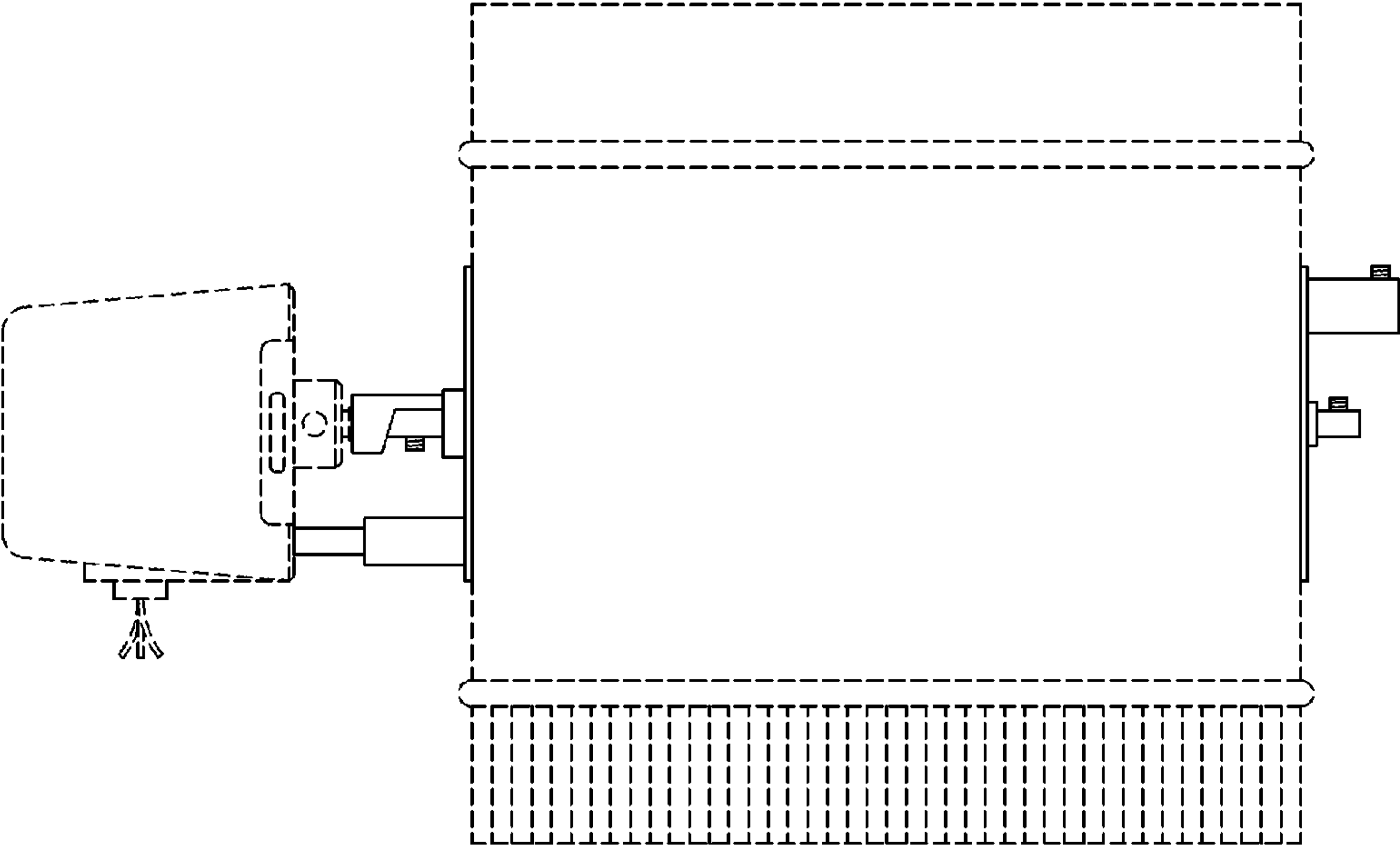


Fig. 4

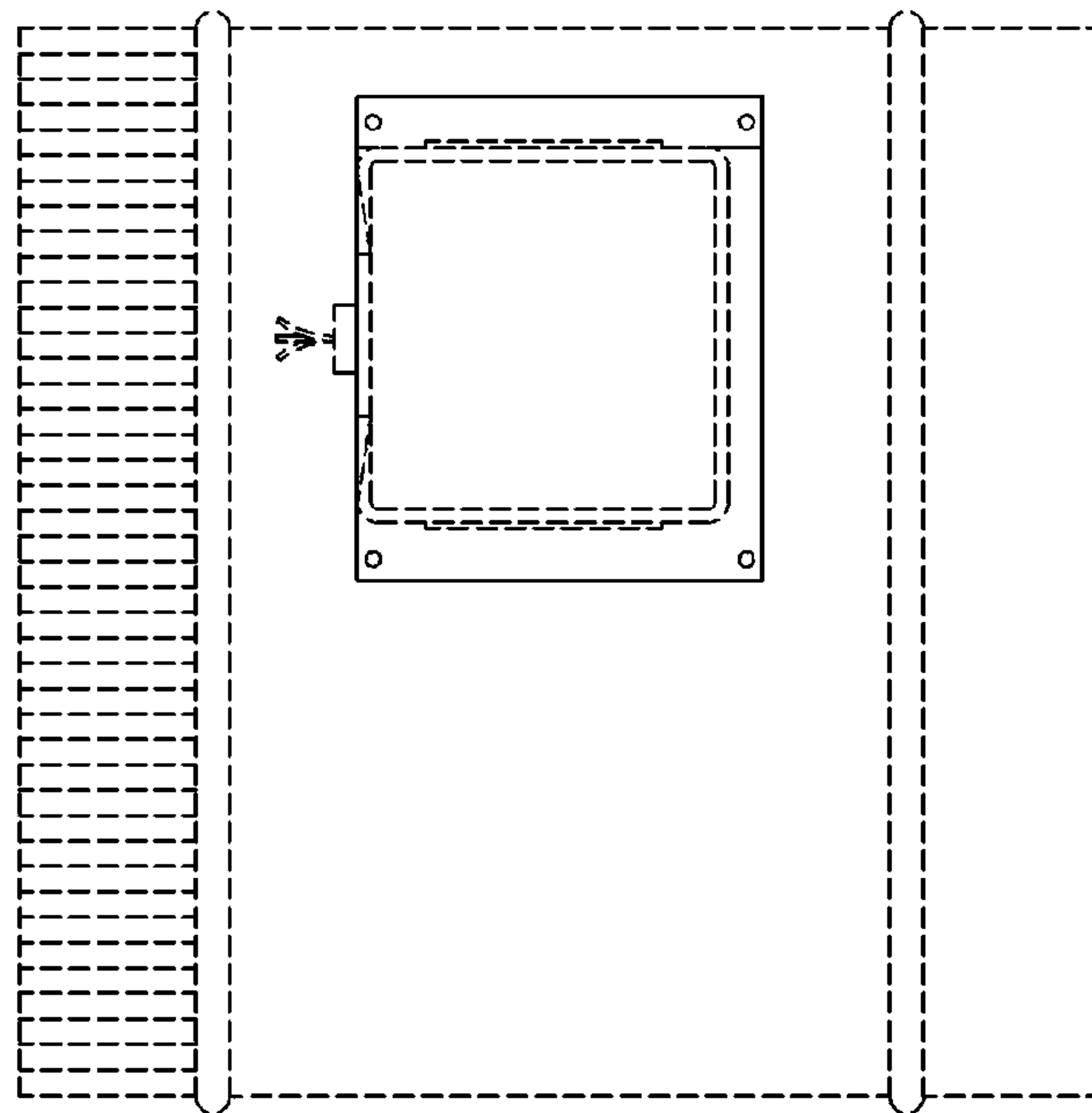


Fig. 5

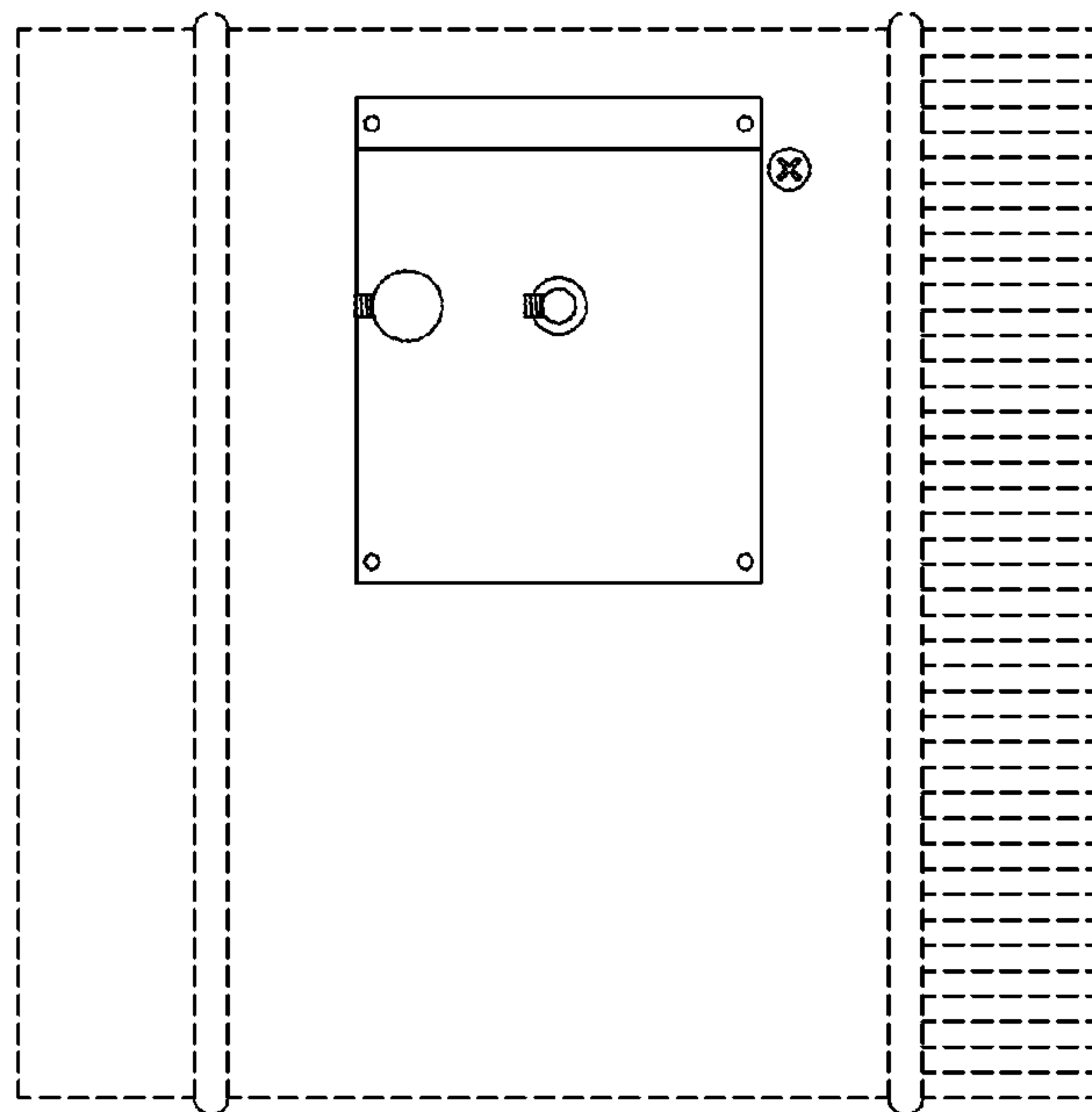


Fig. 6

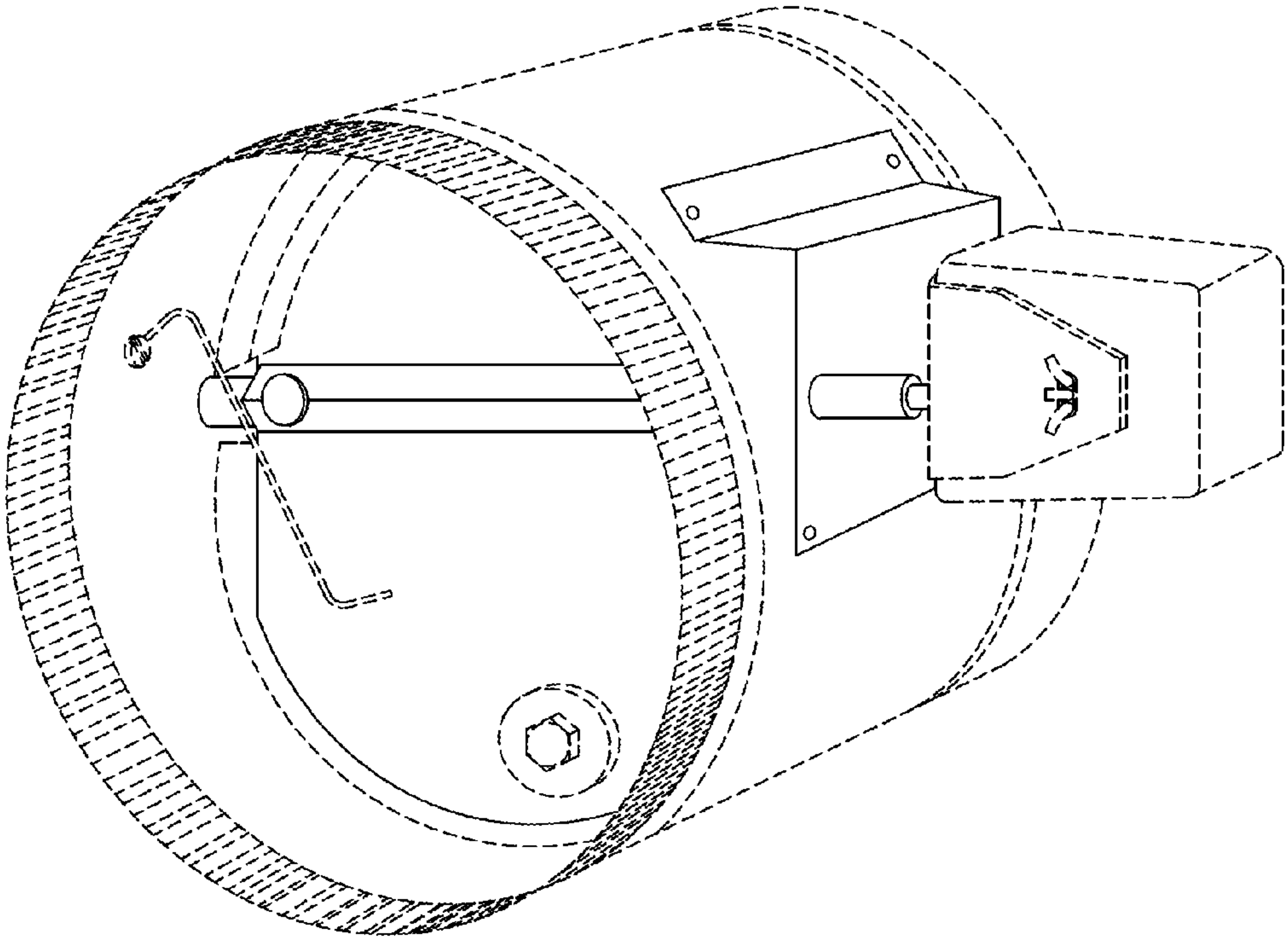


Fig. 7