



US00D743520S

(12) **United States Design Patent**
Sinur et al.

(10) **Patent No.:** **US D743,520 S**

(45) **Date of Patent:** **** Nov. 17, 2015**

(54) **RANGE HOOD**

(71) Applicant: **Broan-Nutone LLC**, Hartford, WI (US)

(72) Inventors: **Richard R. Sinur**, West Bend, WI (US);
Gregory T. Ruggles, Hartford, WI (US);
Brian R. Wellnitz, Grafton, WI (US)

(73) Assignee: **Broan-NuTone LLC**, Hartford, WI (US)

(**) Term: **14 Years**

(21) Appl. No.: **29/458,589**

(22) Filed: **Jun. 20, 2013**

(51) **LOC (10) Cl.** **23-04**

(52) **U.S. Cl.**

USPC **D23/372**

(58) **Field of Classification Search**

USPC D23/370-385, 411-414, 365; 415/60,
415/66, 68, 208.1, 213.1, 214.1; 310/257;
361/695; 126/299 D, 299 R

See application file for complete search history.

(56) **References Cited**

U.S. PATENT DOCUMENTS

2,487,607	A *	11/1949	Sonntag	126/299 D
D179,237	S	11/1956	Bernstein	
2,807,994	A *	10/1957	Bernstein	126/299 D
2,886,124	A *	5/1959	Scharmer	96/121
2,993,428	A	7/1961	Wermager	
3,075,335	A *	1/1963	Bandlow	55/385.1
3,098,423	A	7/1963	Giannini	
3,125,869	A *	3/1964	Winton	62/317
3,194,146	A *	7/1965	Jenson	126/299 D
3,585,920	A *	6/1971	Johnson	126/299 D
3,690,245	A	9/1972	Ferlise et al.	
4,120,290	A	10/1978	Bowen, Jr. et al.	
4,259,944	A *	4/1981	Kalthoff	126/299 D
D274,934	S *	7/1984	Johnson	D23/372

4,898,149	A	2/1990	Cohn	
D312,685	S *	12/1990	Fleming et al.	D23/372
D315,204	S	3/1991	Fleming et al.	

(Continued)

FOREIGN PATENT DOCUMENTS

BX	13264-001	10/1984
CN	3030871	3/1995

(Continued)

OTHER PUBLICATIONS

"U.S. Appl. No. 29/458,592, Non Final Office Action mailed Sep. 27, 2013", 7 pgs.

(Continued)

Primary Examiner — Susan Bennett Hattan

Assistant Examiner — Janice Hallmark

(74) *Attorney, Agent, or Firm* — Schwegman Lundberg & Woessner, P.A.

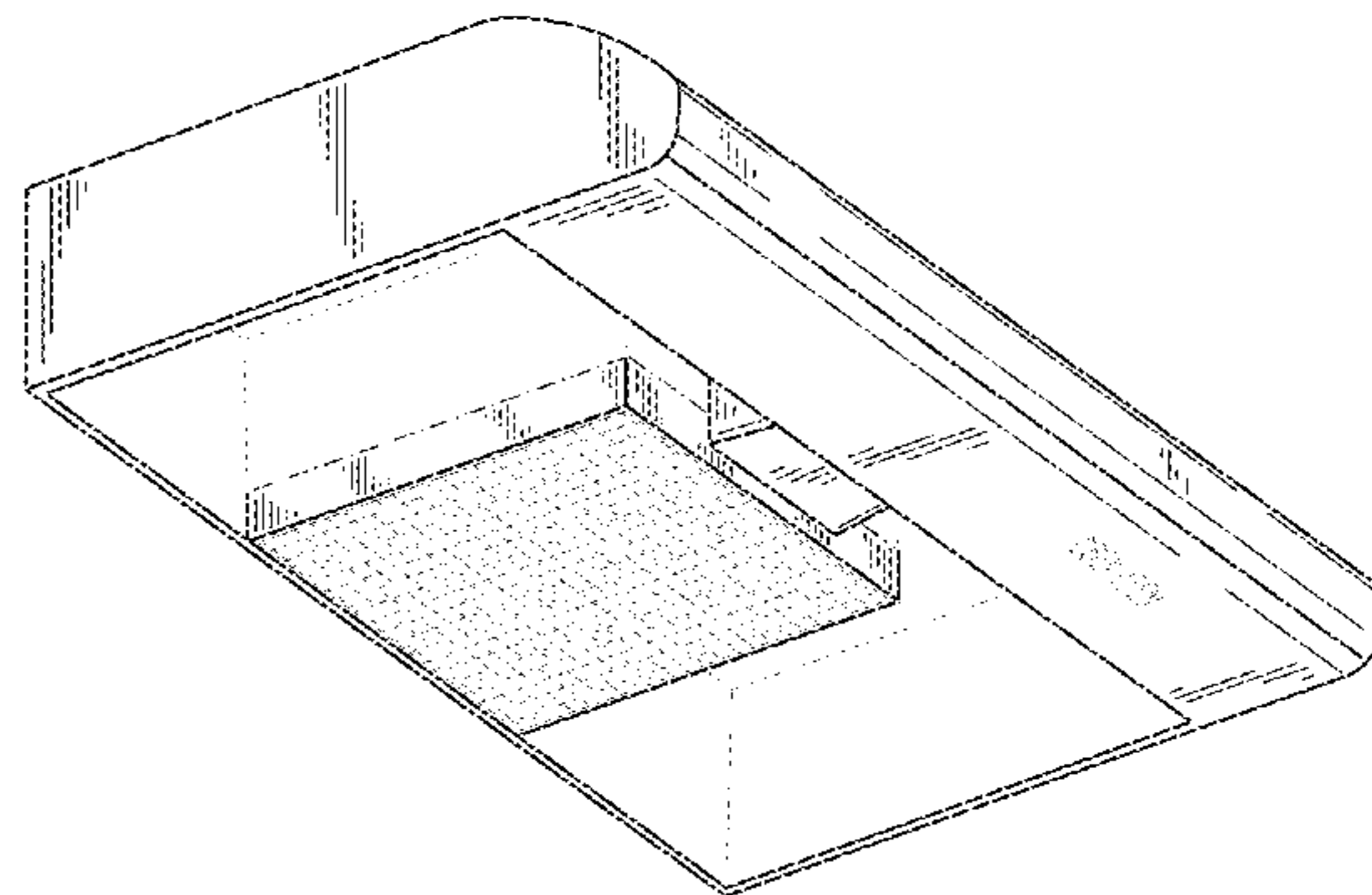
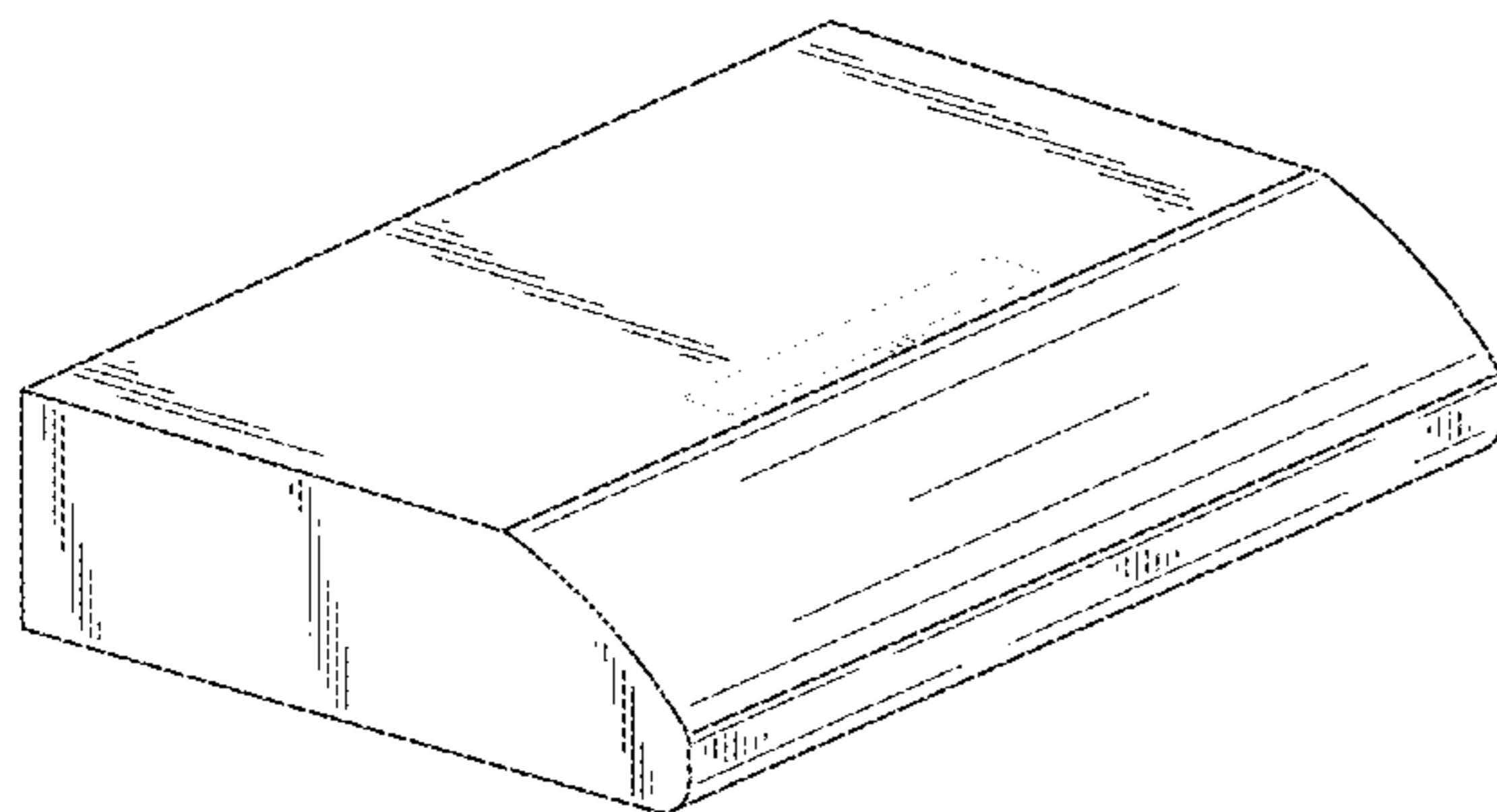
(57) **CLAIM**

I claim the ornamental design for an range hood, as shown and described.

DESCRIPTION

FIG. 1 is a top perspective view of a range hood;
FIG. 2 is a bottom perspective view of a range hood of FIG. 1;
FIG. 3 is a top view of a range hood of FIG. 1;
FIG. 4 is a front view of a range hood of FIG. 1;
FIG. 5 is a side view of a range hood of FIG. 1;
FIG. 6 is a rear view of a range hood of FIG. 1; and,
FIG. 7 is a bottom view of a range hood of FIG. 1.
The features shown in broken lines depict environmental subject matter only and form no part of the claimed design.

1 Claim, 6 Drawing Sheets



(56)

References Cited

U.S. PATENT DOCUMENTS

5,027,790 A 7/1991 Chern
 D325,966 S * 5/1992 Wei D23/372
 D327,541 S * 6/1992 Chen D23/372
 5,230,327 A * 7/1993 Jang et al. 126/299 R
 5,305,734 A 4/1994 Jang
 5,363,837 A 11/1994 Jang
 5,377,665 A 1/1995 Jang
 D361,376 S 8/1995 Isabelle et al.
 5,448,987 A * 9/1995 Jang 126/299 R
 D367,319 S 2/1996 Isabelle et al.
 D375,351 S 11/1996 Conforti
 D380,823 S 7/1997 LaZar
 5,678,532 A * 10/1997 Wu 126/299 R
 D392,380 S 3/1998 Schrank et al.
 D395,495 S * 6/1998 Wu D23/372
 D433,495 S * 11/2000 Segers D23/372
 D436,658 S 1/2001 Goulet
 6,216,686 B1 * 4/2001 Chiu 126/299 R
 D450,829 S 11/2001 Bothe et al.
 D451,587 S 12/2001 Goulet
 6,427,679 B1 * 8/2002 Chen 126/299 R
 D473,297 S 4/2003 Bothe et al.
 D482,769 S 11/2003 Bothe et al.
 6,802,310 B1 10/2004 Yeung
 D521,622 S 5/2006 Bothe et al.
 D532,507 S 11/2006 Vetter
 D535,150 S 1/2007 Tse
 D535,381 S 1/2007 Chiang
 D557,786 S 12/2007 Tse
 D558,322 S 12/2007 Lebeuf et al.
 D566,822 S * 4/2008 Blanchette et al. D23/372
 D567,929 S 4/2008 Tse
 D571,446 S 6/2008 Martin et al.
 D594,956 S 6/2009 Blanchette et al.
 D611,590 S 3/2010 Grey
 D611,591 S 3/2010 Grey
 D635,235 S * 3/2011 Hoshino et al. D23/372
 D659,232 S * 5/2012 Funnell, II D23/371

D676,542 S 2/2013 Sinur et al.
 D677,775 S * 3/2013 Funnell, II D23/371
 D694,385 S * 11/2013 Funnell, II D23/371
 D694,393 S * 11/2013 Funnell, II D23/372
 D695,387 S * 12/2013 Murphey et al. D23/393
 D699,831 S * 2/2014 Funnell, II D23/371
 D709,606 S 7/2014 Sinur et al.
 2007/0256681 A1 11/2007 Chiang et al.
 2008/0190411 A1 8/2008 Chiang et al.
 2011/0036340 A1 2/2011 Chu
 2013/0087133 A1 4/2013 Davis et al.

FOREIGN PATENT DOCUMENTS

CN 3054964 2/1997
 CN 3080825 7/1998
 KR 3001672570000 6/1994
 TW 124626 12/1989
 TW 178333 2/1992
 TW 191605 9/1992
 WO D041035001 10/1997

OTHER PUBLICATIONS

“U.S. Appl. No. 29/458,592, Notice of Allowance mailed Mar. 4, 2014”, 6 pgs.
 “U.S. Appl. No. 29/458,592, Response filed Dec. 27, 2013 to Non Final Office Action mailed Sep. 27, 2013”, 8 pgs.
 “Maytag 30 in. Non-Vented Range Hood in Stainless Steel”, Model #UXT4030AYS, Home Depot, [online] [retrieved on Sep. 23, 2013]. Retrieved from the Internet: <http://www.homedepot.com/p/Maytag-30-in-Non-Vented-Range-Hood-in-Stainless-Steel-UXT4030AYS/202832999#customer_reviews>, (2011), 5 pgs.
 “Whirlpool 30" and 36" Range Hood Models UXT3030AY/UXT3036AY”, Installation Instruction and Use & Care Guide, [online] Retrieved from the Internet: <http://www.whirlpool.ca/digitalassets/UXT3030AYB/Use%20and%20Care_EN.pdf>, (2011), 28 pgs.

* cited by examiner

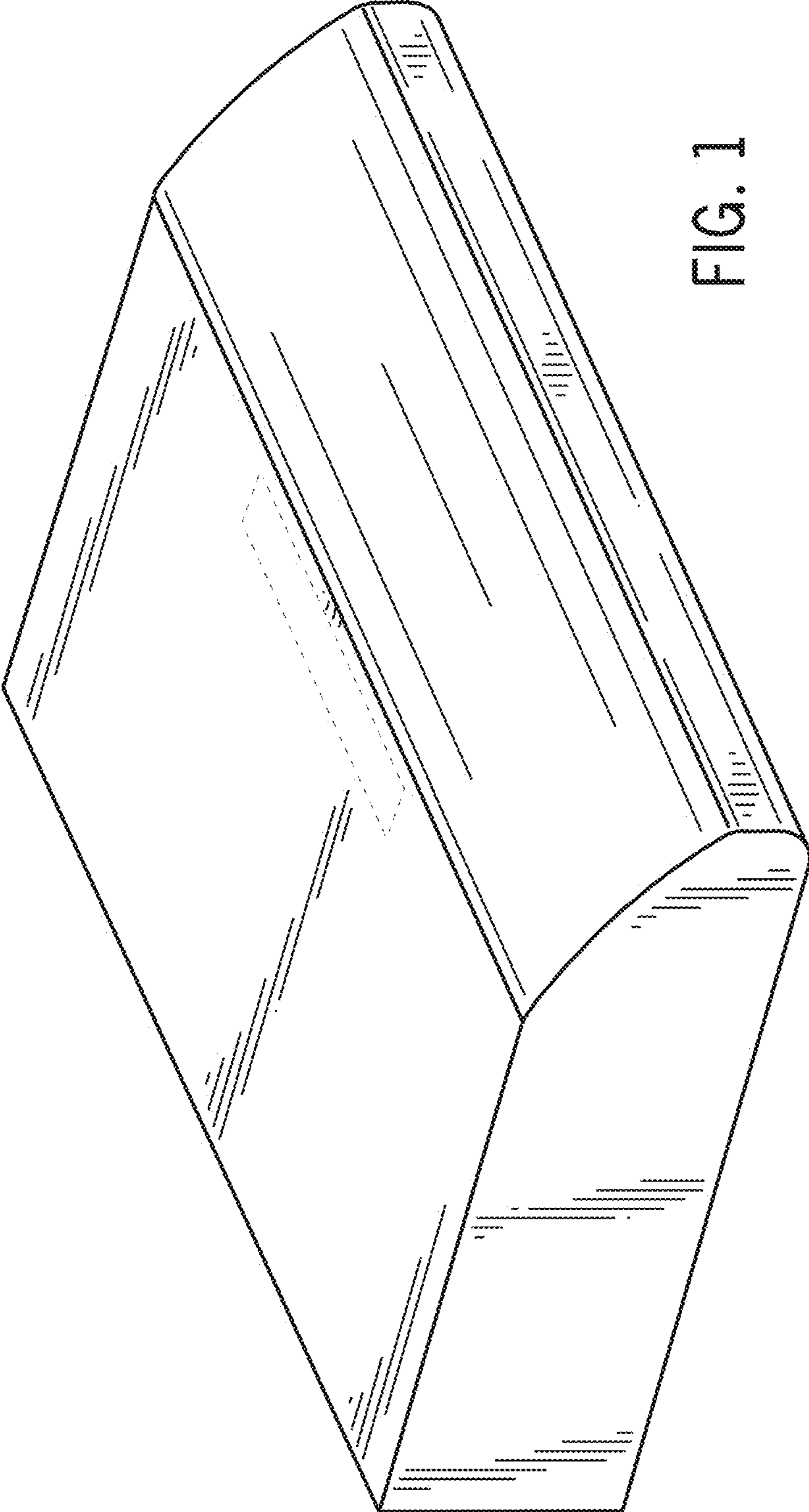


FIG. 1

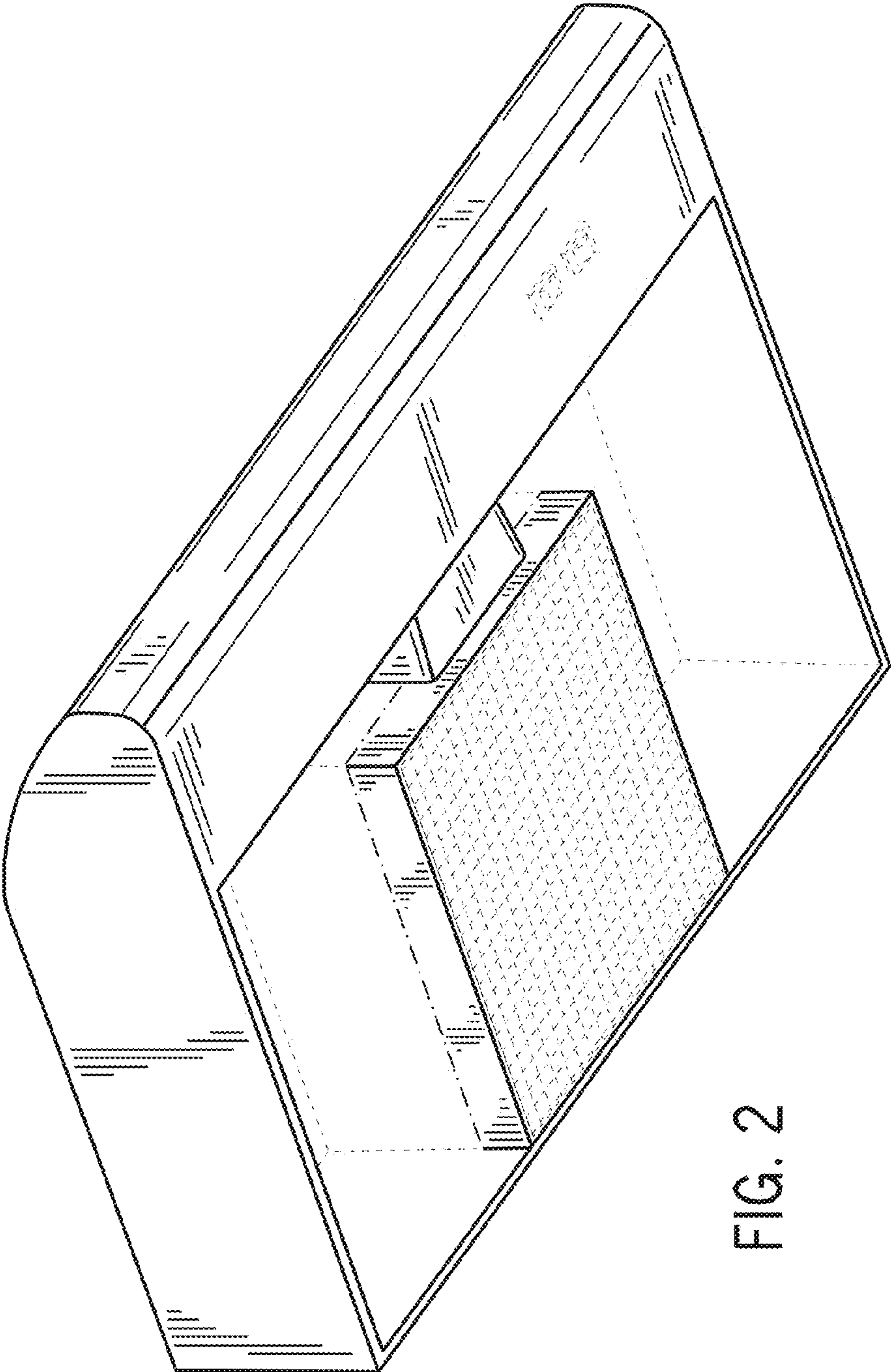


FIG. 2

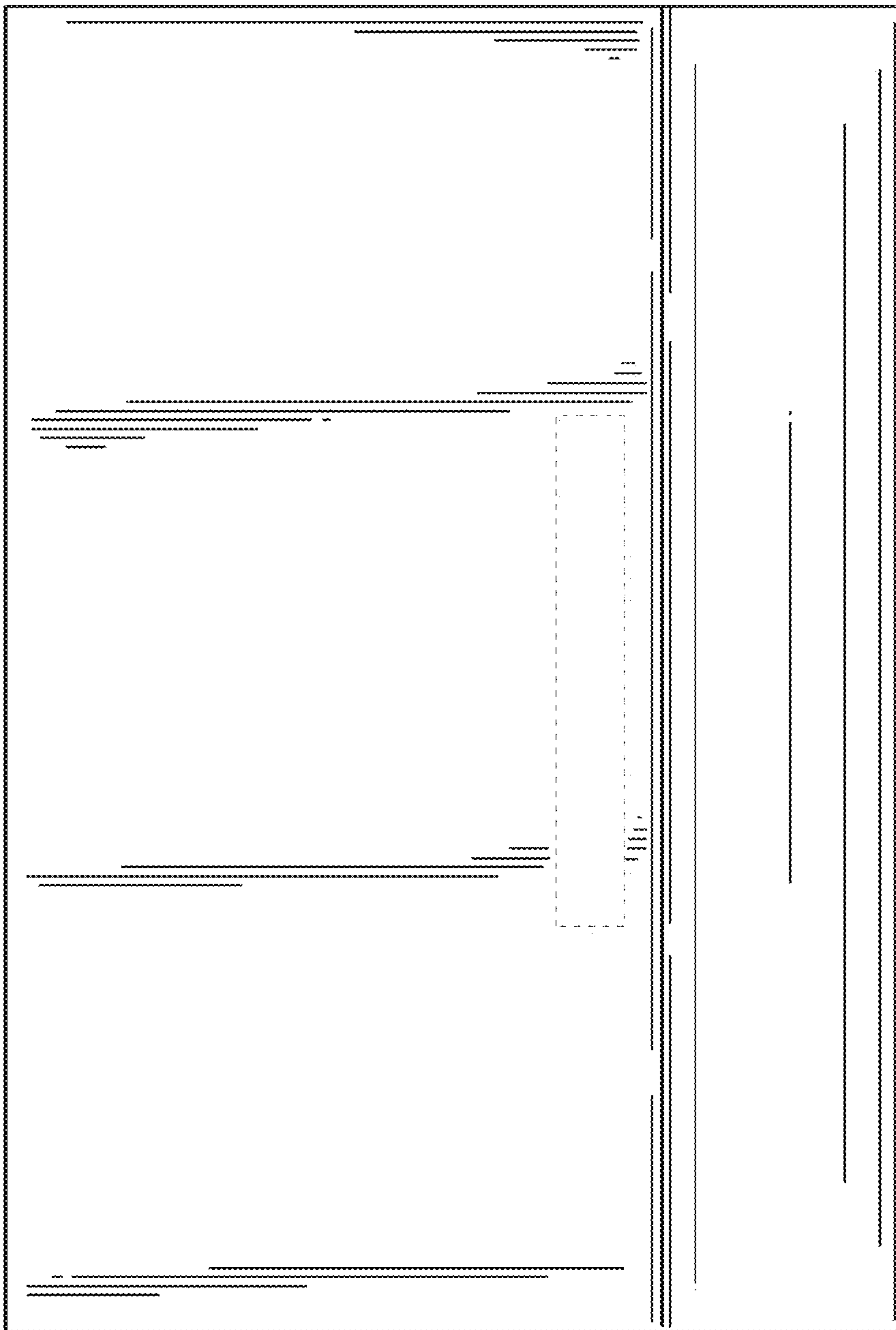


FIG. 3

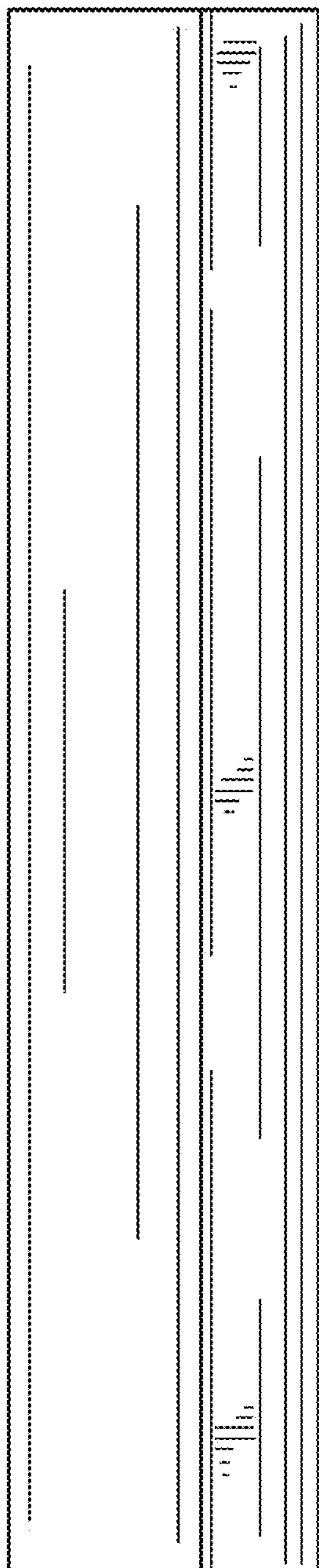


FIG. 4

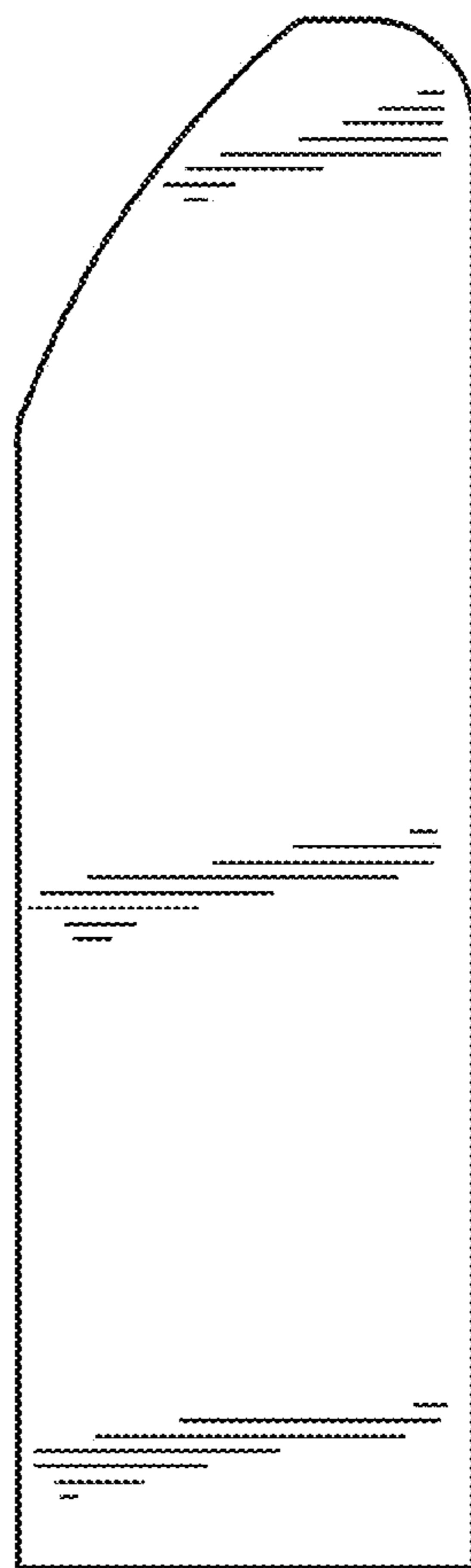


FIG. 5

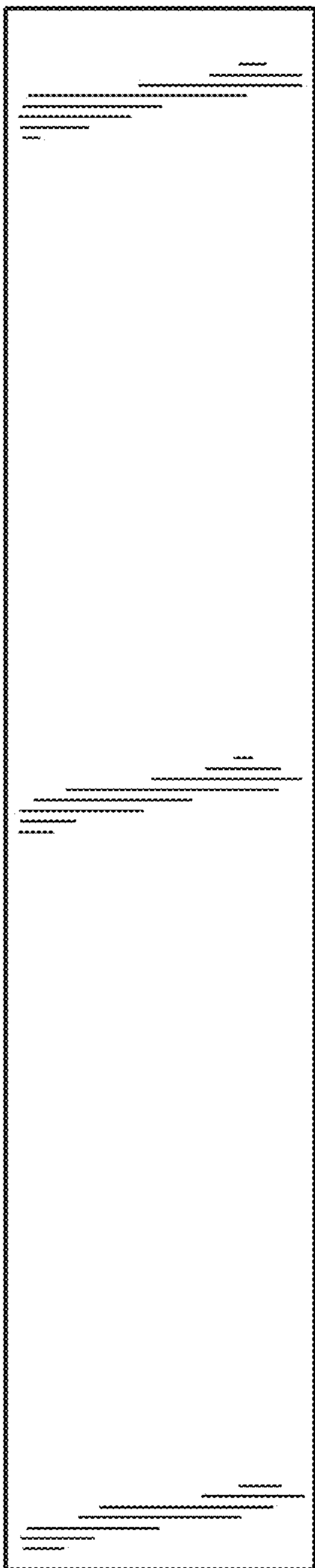


FIG. 6

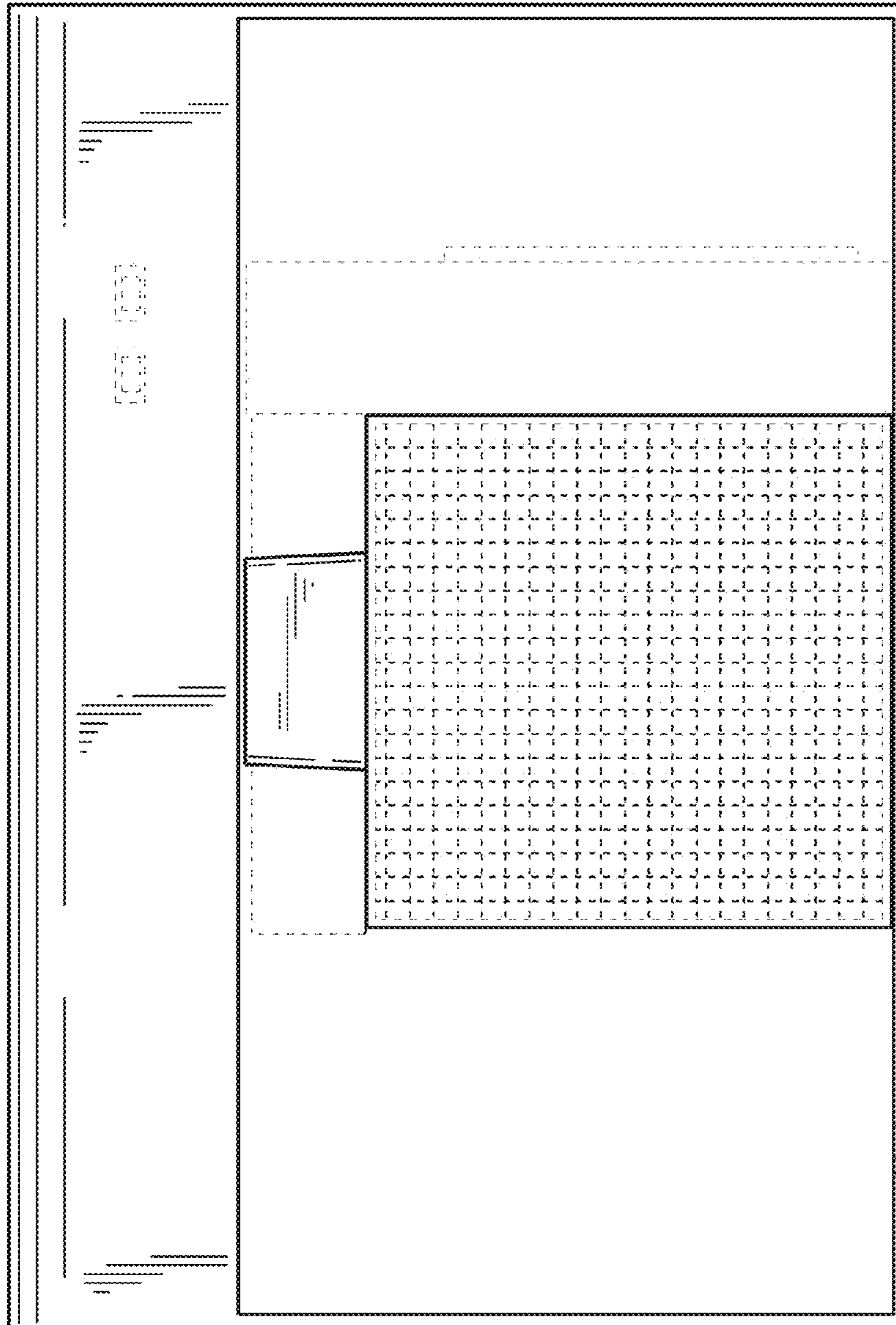


FIG. 7