



US00D743519S

(12) **United States Design Patent**  
**Furner et al.**

(10) **Patent No.:** **US D743,519 S**  
(45) **Date of Patent:** **\*\* Nov. 17, 2015**

(54) **VOLATILE DISPENSER**

(56) **References Cited**

(71) Applicant: **S.C. Johnson & Son, Inc.**, Racine, WI (US)  
(72) Inventors: **Paul E. Furner**, Racine, WI (US); **Nitin Sharma**, Kenosha, WI (US); **Zahra Tashakorinia**, San Francisco, CA (US); **Terence Lup-ho Kwan**, South San Francisco, CA (US); **Evelyne Chaubert**, San Francisco, CA (US); **Jessica M. Gilbertson**, San Francisco, CA (US); **Wenson Chern**, San Jose, CA (US)

U.S. PATENT DOCUMENTS

D84,785 S *	8/1931	Keim .....	D23/368
D164,983 S *	10/1951	Crook .....	D23/369
3,087,679 A *	4/1963	Wilson .....	239/57
D212,752 S *	11/1968	Jacqueman .....	D22/137
D255,263 S	6/1980	Mandon et al.	
D289,919 S	5/1987	O'Neil	

(Continued)

FOREIGN PATENT DOCUMENTS

EM	000079868-0001	12/2003
EM	000156401-0001	6/2004

(Continued)

*Primary Examiner* — Sandra Snapp

(73) Assignee: **S.C. Johnson & Son, Inc.**, Racine, WI (US)

(\*\*) Term: **15 Years**

(57) **CLAIM**

(21) Appl. No.: **29/527,697**

The ornamental design for a volatile dispenser, as shown and described.

(22) Filed: **May 21, 2015**

**DESCRIPTION**

**Related U.S. Application Data**

(62) Division of application No. 29/493,104, filed on Jun. 5, 2014, now Pat. No. Des. 732,652.

(51) **LOC (10) Cl.** ..... **28-99**

(52) **U.S. Cl.**  
USPC ..... **D23/366**

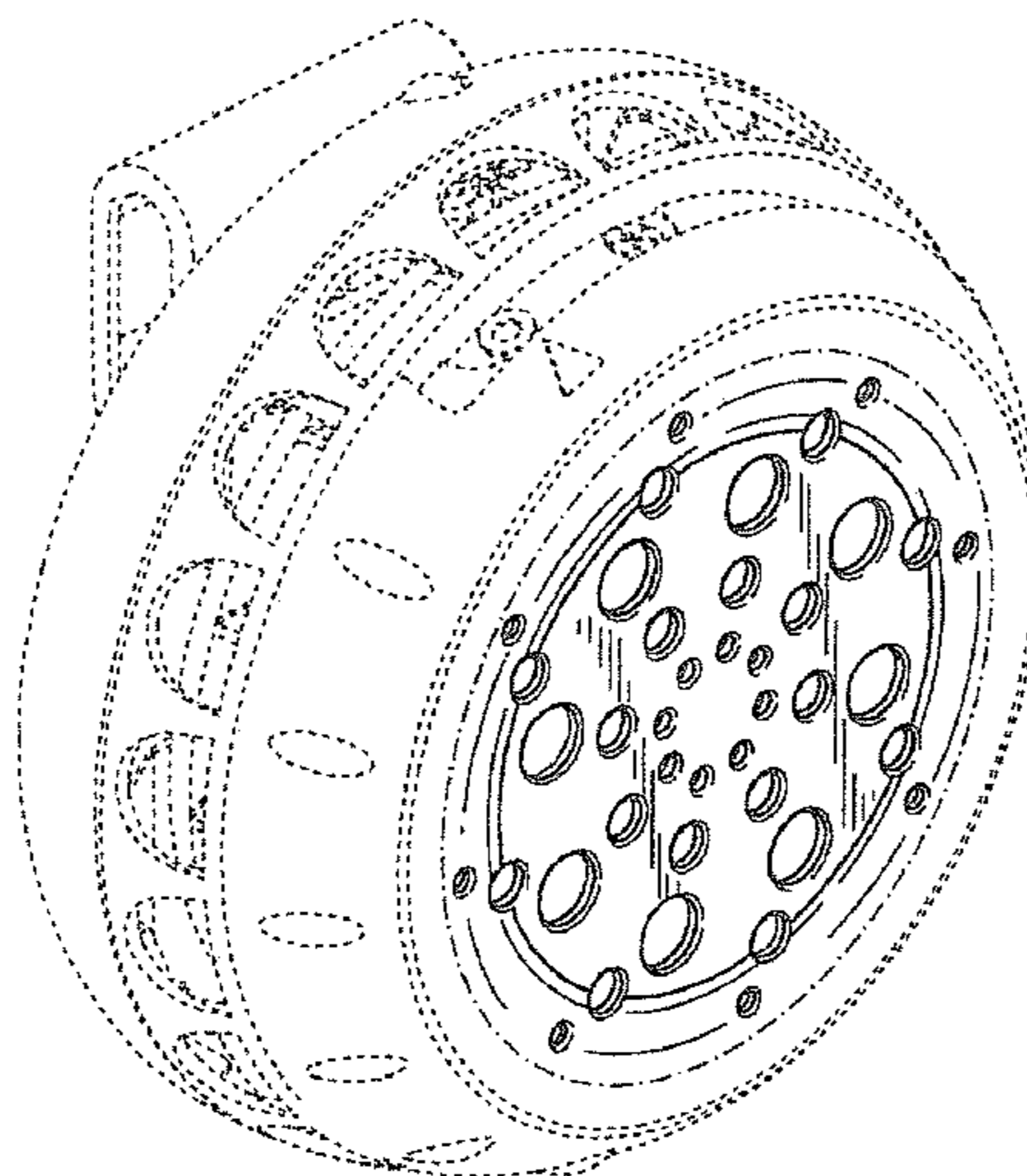
(58) **Field of Classification Search**  
USPC ..... D23/355-369; D28/5, 6; 261/DIG. 17, 261/DIG. 42, DIG. 65, DIG. 88, DIG. 89; 392/386, 390, 394, 395; 239/34, 44, 239/53, 55, 56, 326; D26/14, 17, 98, 9, 22, D26/24; D11/131.1; D7/509, 522, 524, 537  
CPC ..... A61L 9/00; A61L 9/02; A61L 9/03; A61L 9/032; A61L 9/035; A61L 9/037; A61L 9/04; A61L 9/12; A61L 9/22  
See application file for complete search history.

FIG. 1 is a left, top, frontal perspective view of a volatile dispenser embodying our new design; FIG. 2 is a front elevational view thereof; FIG. 3 is a left side elevational view thereof; FIG. 4 is a right side elevational view thereof; FIG. 5 is a top plan view thereof; FIG. 6 is a bottom plan view thereof; and, FIG. 7 is a rear elevation view thereof.

The broken line representations in the views are for illustrative purposes only and form no part of the claimed design. Dash-dot broken lines represent the boundary between claimed and unclaimed areas and form no part of the claimed design.

In a preferred embodiment the nature of this product is an air treatment dispenser suitable to hang on a person's belt, pocket or other clothing item and dispense insect repellents (for example, mosquito repellent).

**1 Claim, 5 Drawing Sheets**



(56)

References Cited

U.S. PATENT DOCUMENTS

D399,945 S 10/1998 Bonomo et al.  
 D403,758 S 1/1999 Bryson et al.  
 6,244,518 B1 6/2001 Pogue  
 D455,485 S 4/2002 Hensel  
 D456,886 S 5/2002 Hart et al.  
 D485,341 S 1/2004 Wu  
 D490,886 S 6/2004 Engerant  
 D491,257 S 6/2004 Picken  
 6,775,470 B2 8/2004 Zobeles et al.  
 D512,137 S 11/2005 Chen  
 D515,681 S 2/2006 Muir et al.  
 D535,007 S 1/2007 Koon  
 D535,008 S 1/2007 Wu  
 D538,415 S 3/2007 Ching  
 D544,088 S 6/2007 Wu  
 D544,952 S 6/2007 Zobeles  
 D544,953 S 6/2007 Kee  
 D546,433 S 7/2007 Wu  
 D548,109 S 8/2007 Rust et al.  
 D548,609 S 8/2007 Considine et al.  
 D549,812 S 8/2007 Fellows et al.  
 D550,345 S 9/2007 Weggelaar  
 D551,333 S 9/2007 Wu  
 D552,723 S 10/2007 Sakata et al.  
 D553,233 S 10/2007 Hatch et al.  
 D555,358 S 11/2007 King  
 D555,776 S 11/2007 Chiu  
 D555,778 S 11/2007 Fellows et al.  
 D556,312 S 11/2007 Majerowski et al.  
 D556,854 S 12/2007 Cheung et al.  
 D559,372 S 1/2008 Lam  
 D565,164 S 3/2008 Duston et al.  
 D565,715 S 4/2008 Wu  
 D568,692 S 5/2008 Lam  
 D573,687 S 7/2008 Hill  
 D583,037 S 12/2008 Kenny  
 D585,129 S 1/2009 Huang  
 D585,537 S 1/2009 Weggelaar  
 D588,688 S 3/2009 Lablaine  
 D591,415 S 4/2009 Wu  
 D593,670 S 6/2009 Valentino et al.  
 D599,881 S 9/2009 Wang et al.  
 D604,466 S 11/2009 Gaa et al.  
 D606,642 S \* 12/2009 Weggelaar ..... D23/366  
 D607,982 S \* 1/2010 Seehoff ..... D23/366  
 D610,666 S 2/2010 Furner et al.  
 D611,588 S 3/2010 Jorgensen  
 D612,923 S 3/2010 Wu  
 D613,369 S 4/2010 Enever et al.

D621,923 S 8/2010 Koenig et al.  
 D626,205 S 10/2010 Fabregas et al.  
 D629,500 S 12/2010 Koenig et al.  
 D629,881 S 12/2010 Valentino et al.  
 D631,954 S 2/2011 Bertassi et al.  
 D641,464 S 7/2011 De Haan et al.  
 D649,237 S 11/2011 Bilko et al.  
 D666,284 S 8/2012 Robinson et al.  
 D671,596 S 11/2012 Ruthe-Steinsiek  
 D676,540 S 2/2013 Sanders  
 D682,986 S 5/2013 Grether  
 D684,674 S 6/2013 Blachford et al.  
 D686,719 S 7/2013 Lin  
 D707,805 S \* 6/2014 Brewer et al. .... D23/366  
 D708,728 S 7/2014 Yoo et al.  
 D732,652 S \* 6/2015 Furner et al. .... D23/366

FOREIGN PATENT DOCUMENTS

EM 000263454-0001 2/2005  
 EM 000321229-0002 5/2005  
 EM 000431630-0001 12/2005  
 EM 000471263-0001 3/2006  
 EM 000477286-0001 3/2006  
 EM 000504832-0001 5/2006  
 EM 000557483-0001 8/2006  
 EM 000923313-0001 6/2008  
 EM 001138622-0002 5/2009  
 EM 001146492-0003 9/2009  
 EM 001187793-0001 2/2010  
 EM 001215073-0001 8/2010  
 EM 001758681-0001 10/2010  
 EM 001987231-0002 2/2012  
 EM 002098665-0001 9/2012  
 EM 002098665-0005 9/2012  
 EM 002172197-0001 1/2013  
 EM 002227181-0001 5/2013  
 EM 002268474-0003 7/2013  
 WO DM/047245 6/1999  
 WO DM/050502 3/2000  
 WO DM/056916 9/2001  
 WO DM/0691654 11/2002  
 WO DM/063397 5/2003  
 WO DM/068173 3/2007  
 WO DM/068179 3/2007  
 WO DM/069842 9/2008  
 WO DM/072349 4/2010  
 WO DM/073094 8/2010  
 WO DM/073823 12/2010  
 WO DM/071743 9/2011  
 WO DM/078572 1/2013

\* cited by examiner

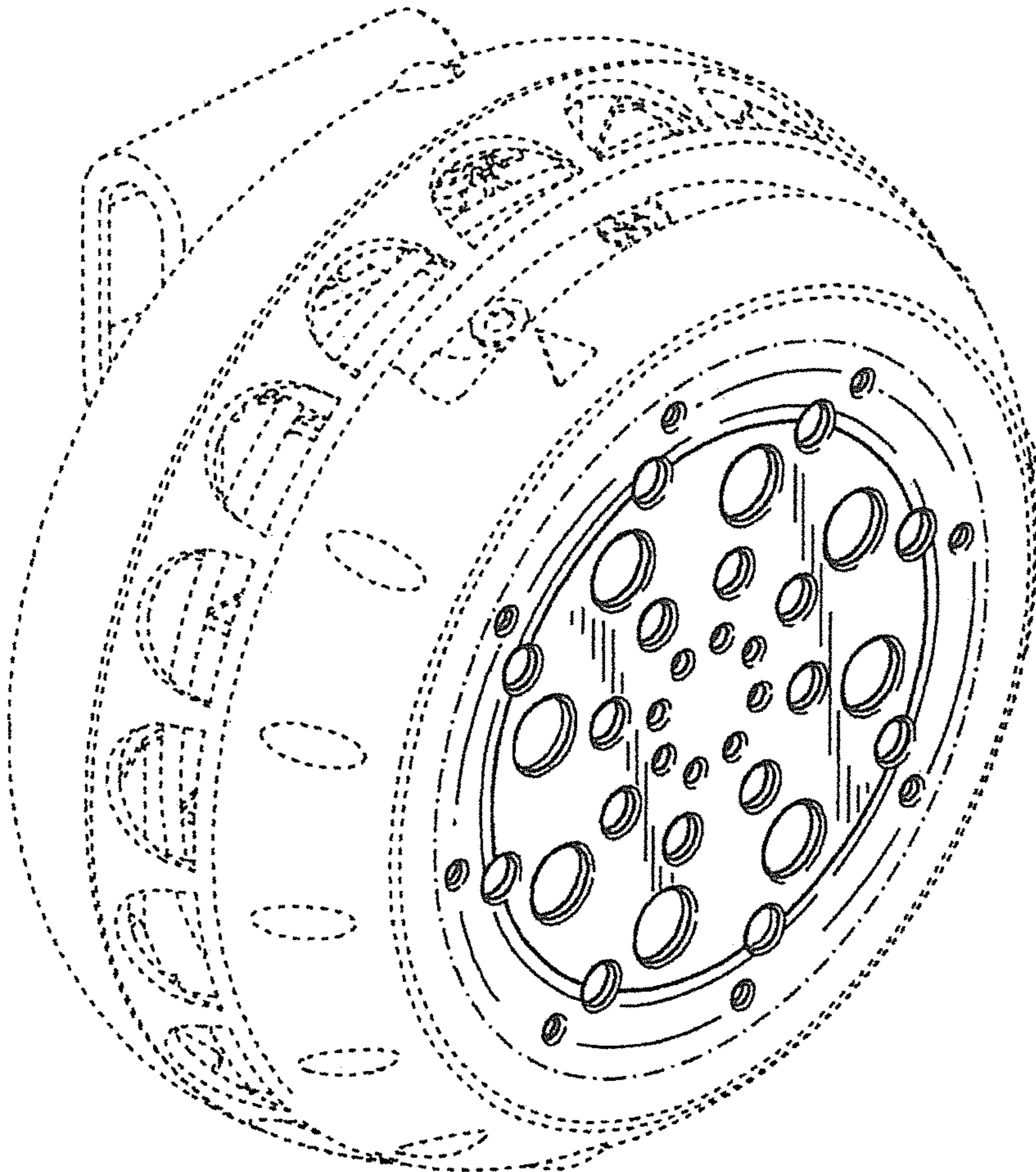


FIG. 1

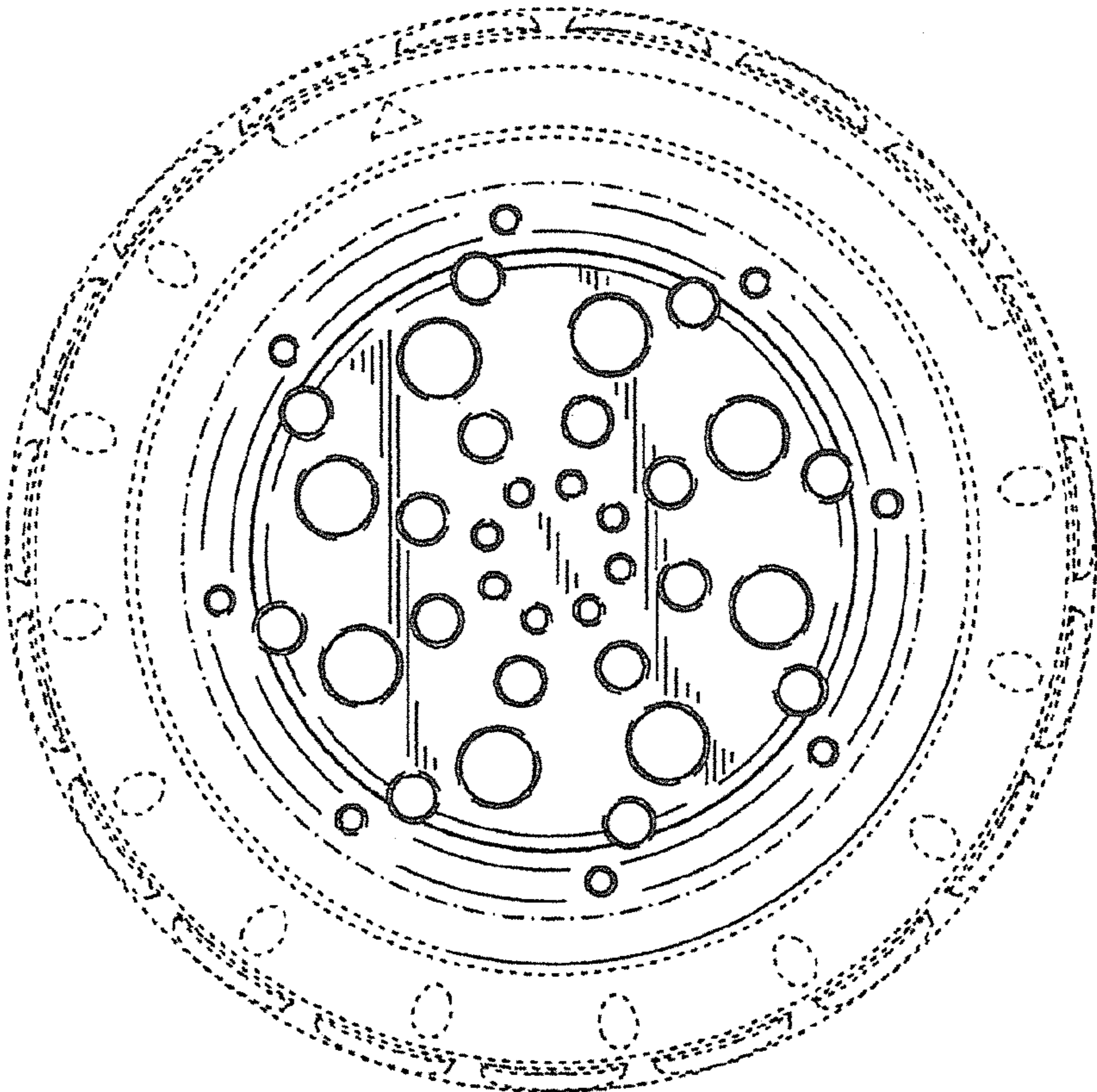


FIG.2

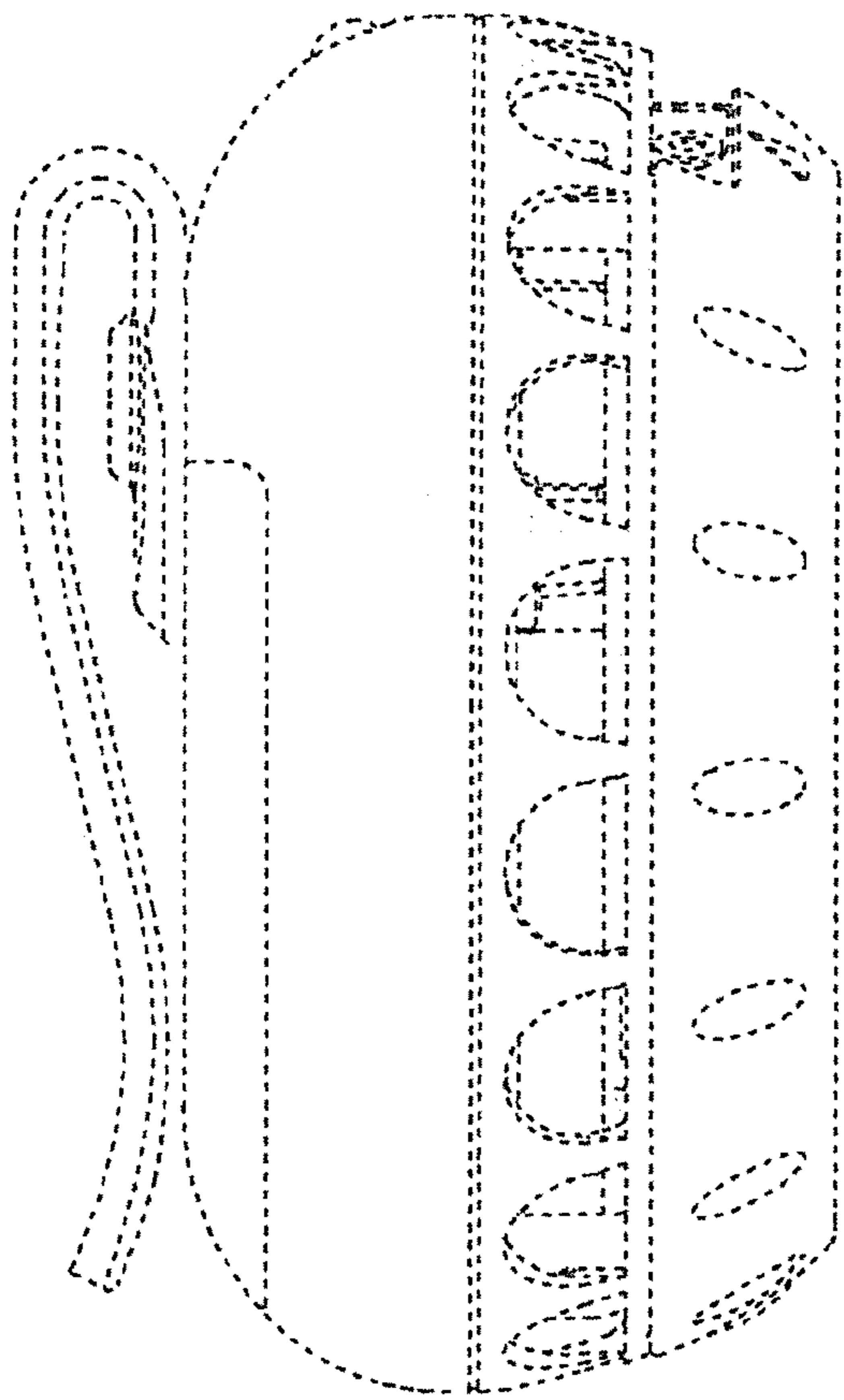


FIG. 3

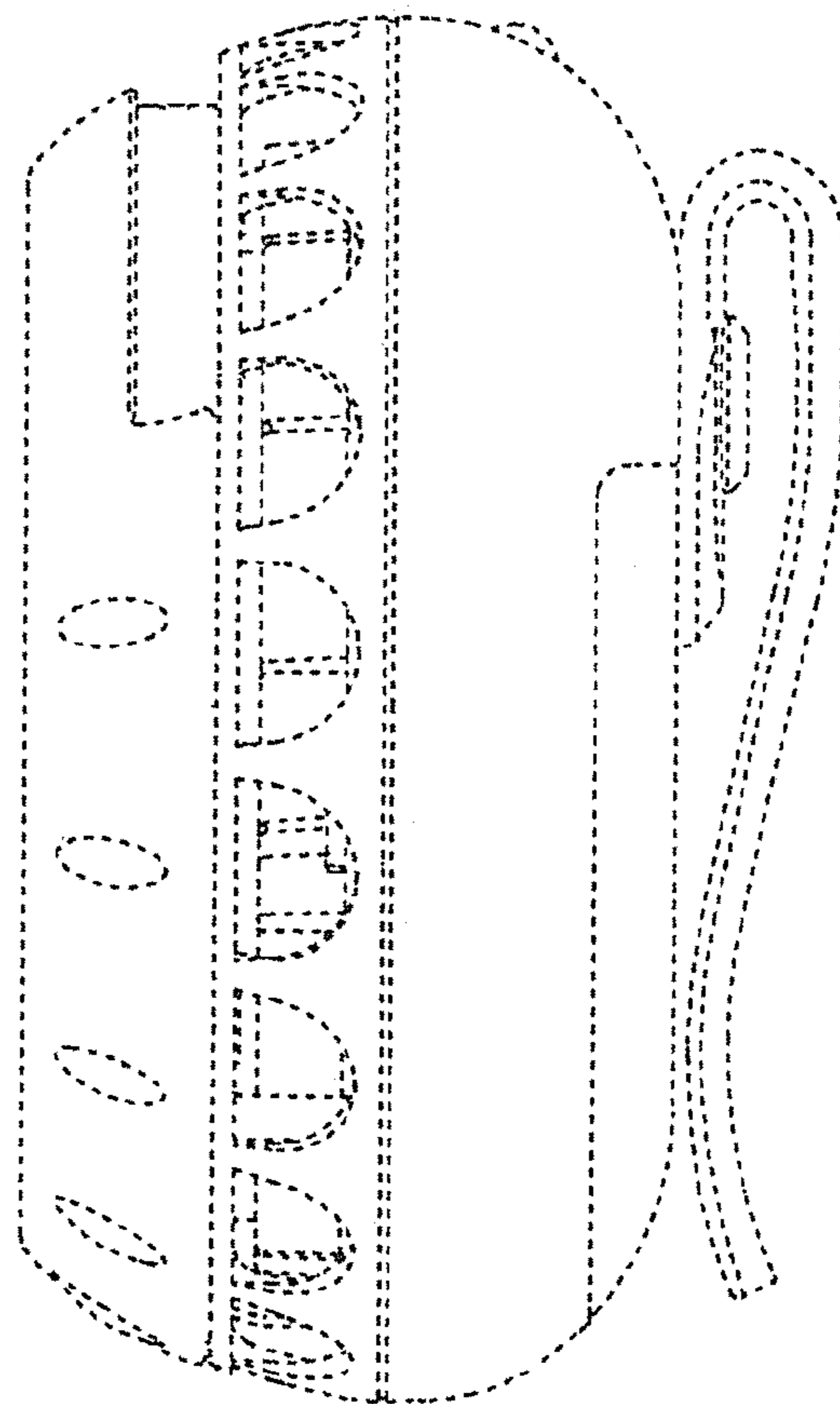


FIG. 4

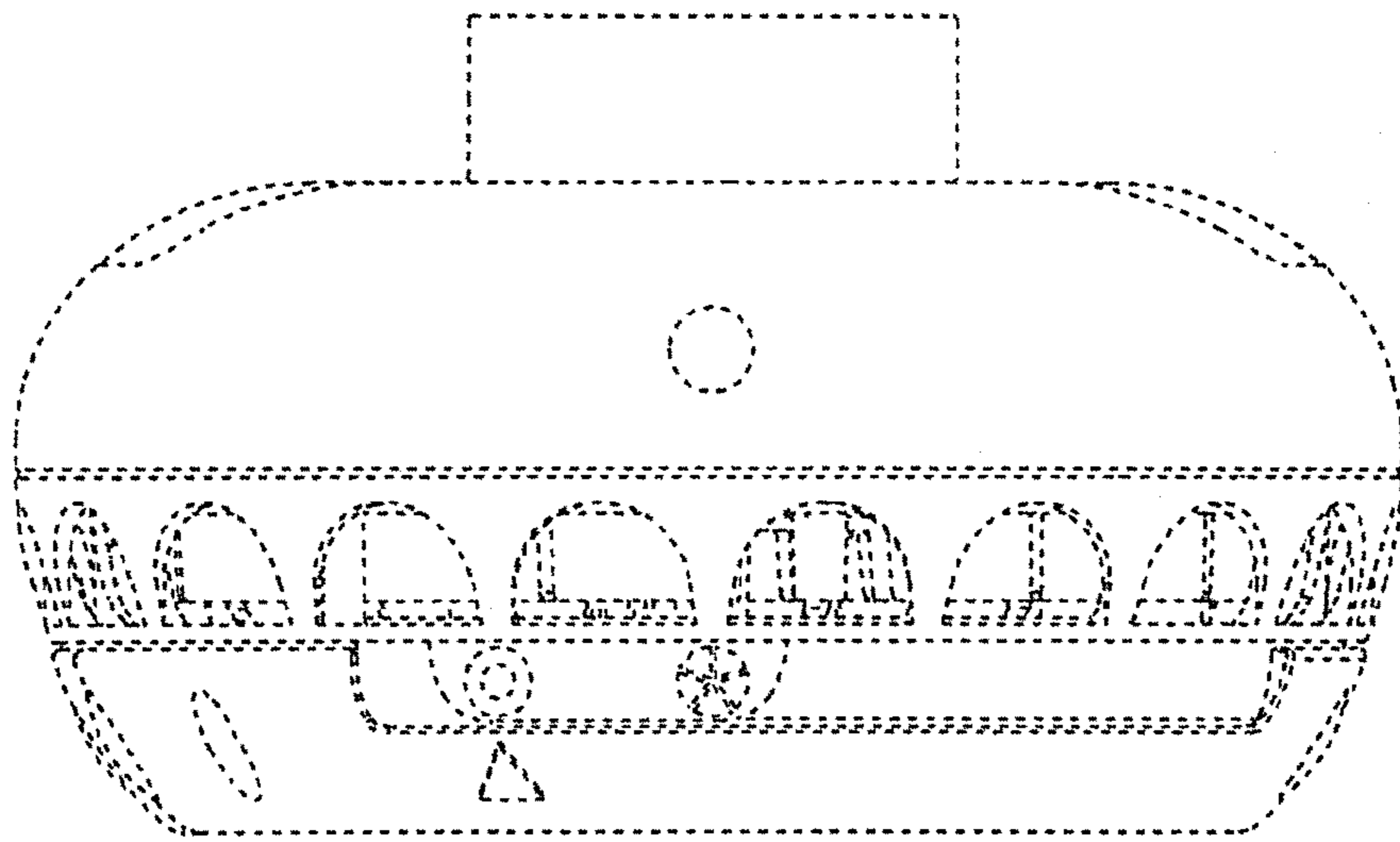


FIG. 5

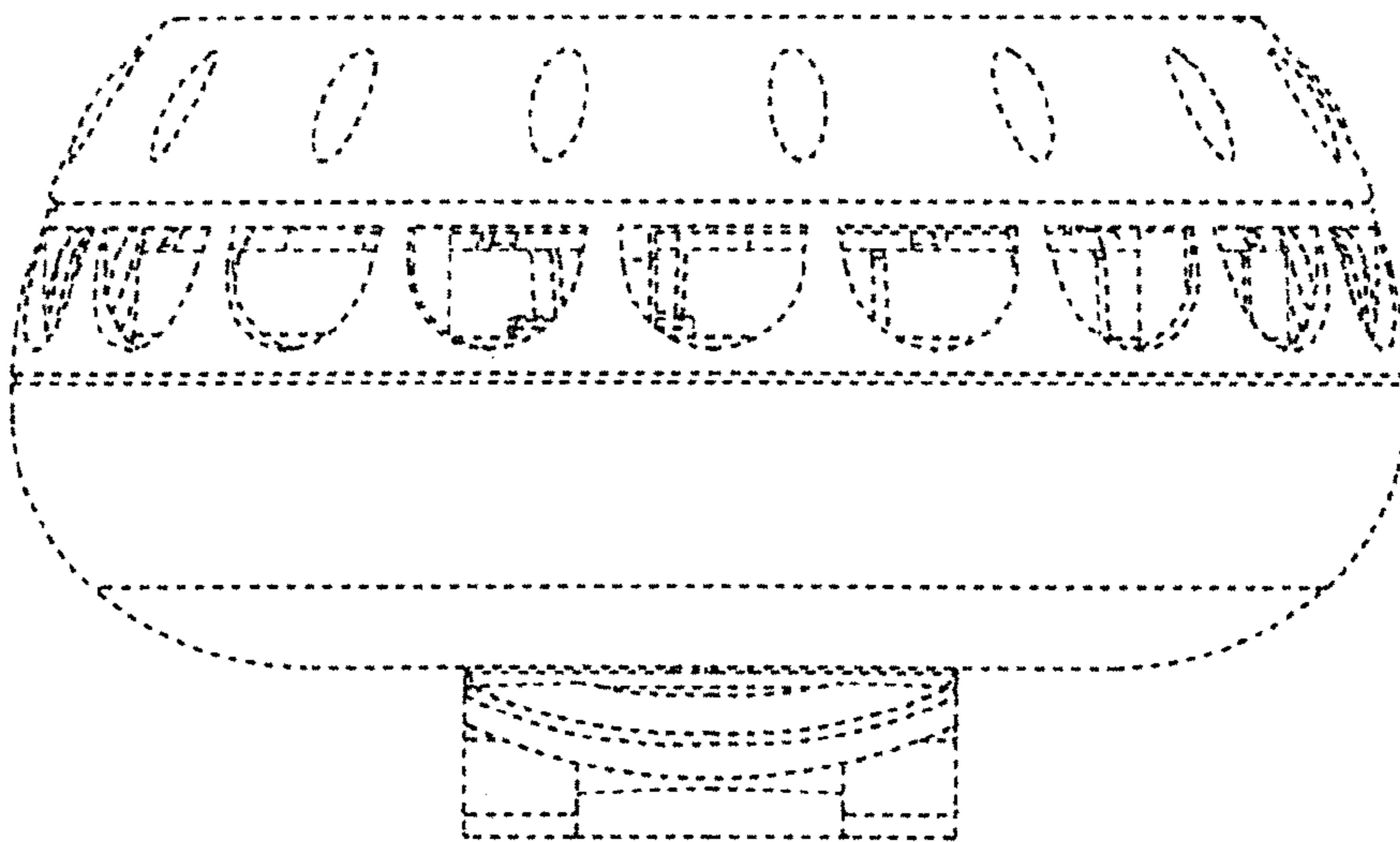


FIG. 6

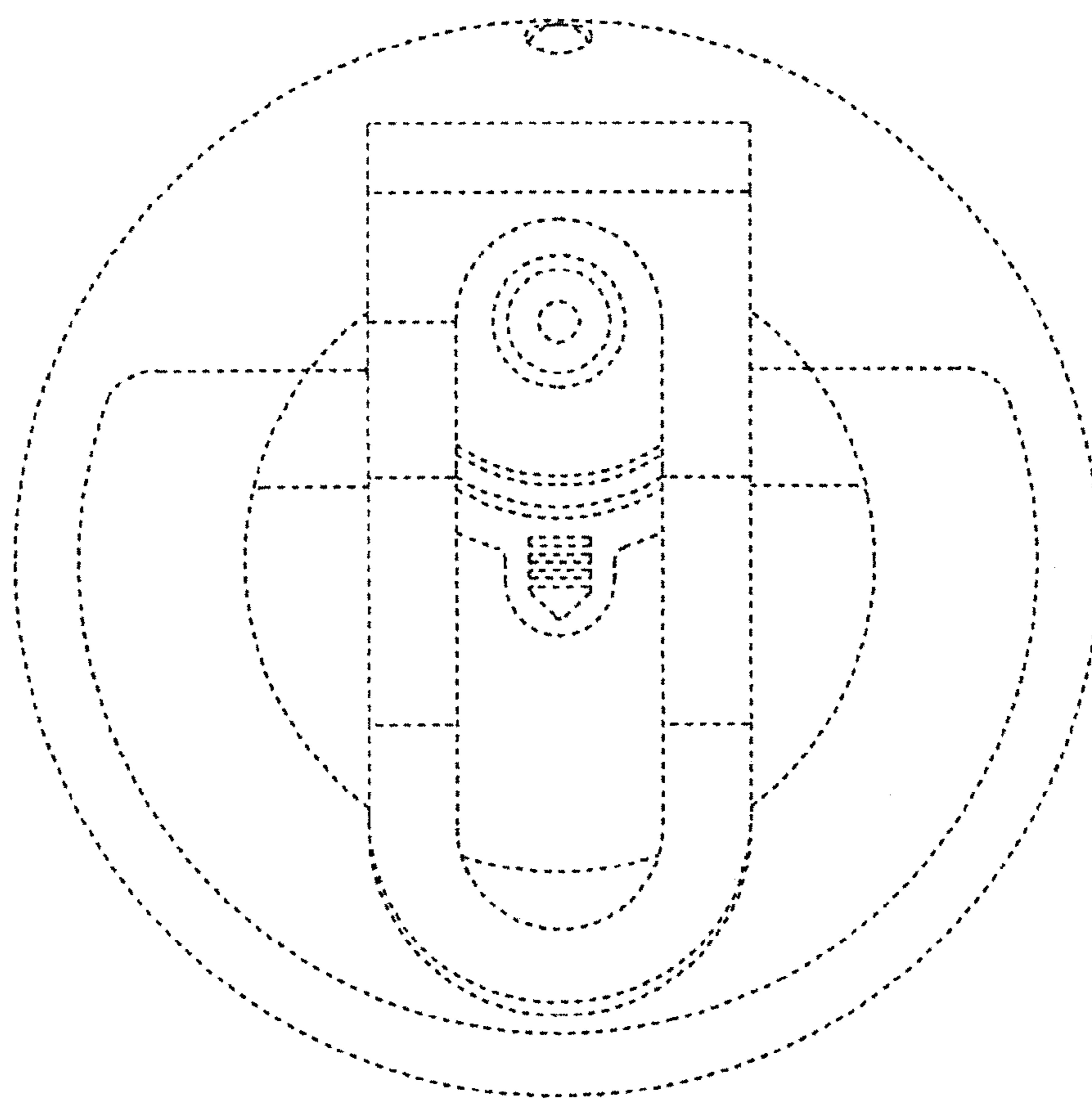


FIG. 7