



US00D743518S

(12) **United States Design Patent**
Finnie

(10) **Patent No.:** **US D743,518 S**
(45) **Date of Patent:** **** Nov. 17, 2015**

(54) **AIR CLEANER WITH A SCALLOPED TOP SURFACE**

(71) Applicant: **Mark Finnie**, La Palma, CA (US)

(72) Inventor: **Mark Finnie**, La Palma, CA (US)

(73) Assignee: **Performance Machine, LLC**, La Palma, CA (US)

(**) Term: **14 Years**

(21) Appl. No.: **29/450,441**

(22) Filed: **Mar. 18, 2013**

(51) **LOC (10) Cl.** **23-04**

(52) **U.S. Cl.**
USPC **D23/355**

(58) **Field of Classification Search**
USPC D23/355, 365, 209, 363, 358, 386, 354,
D23/341, 364; 55/385.3, 502, 497, 506,
55/505, 521, 495, 422, 493, DIG. 30, 306,
55/320, 329, 337, 357, 359, 431, 488, 489,
55/459.1, 498, 522, 526, DIG. 43, 396;
210/435, 130, 136, 248, 339, 448, 452,
210/497.1; D15/1-7, 9; D12/110, 114, 345,
D12/400; 123/53.6, 184.42, 184.57, 73 R,
123/74 A, 198 E, 184.31; 180/219, 220, 229;
280/288.4; 60/605.1, 605.3, 39.092
CPC B01D 46/0002; B01D 2265/026;
F01M 13/0416; F01M 13/04; F01M 13/0438
See application file for complete search history.

(56) **References Cited**

U.S. PATENT DOCUMENTS

D255,353 S * 6/1980 Ullrich D15/5
D459,275 S * 6/2002 Price D12/114
D529,925 S * 10/2006 Strandell et al. D15/5
D549,137 S * 8/2007 Heinrich et al. D12/110
D636,863 S * 4/2011 Isoda et al. D23/370

D642,592 S * 8/2011 Sands D15/5
D642,593 S * 8/2011 Finnie D15/5
D675,230 S * 1/2013 Finnie D15/5
D675,649 S * 2/2013 Sands D15/5
D679,289 S * 4/2013 Tiefenthaler D15/5
D706,177 S * 6/2014 Finnie D12/126
2009/0126324 A1 * 5/2009 Smith et al. 55/385.3
2012/0204846 A1 * 8/2012 Schultz 123/573

OTHER PUBLICATIONS

Performance machine scallop air cleaner, Dec. 2, 2013, <http://www.performancemachine.com/motorcycle-air-cleaners/scallop.aspx>.
Youtube, Performance Machine—New 2013 Products, May 9, 2013, <https://www.youtube.com/watch?v=H7U5wYuWm3U>.

* cited by examiner

Primary Examiner — David Muller

Assistant Examiner — Nathan Johnston

(74) *Attorney, Agent, or Firm* — David Pressman

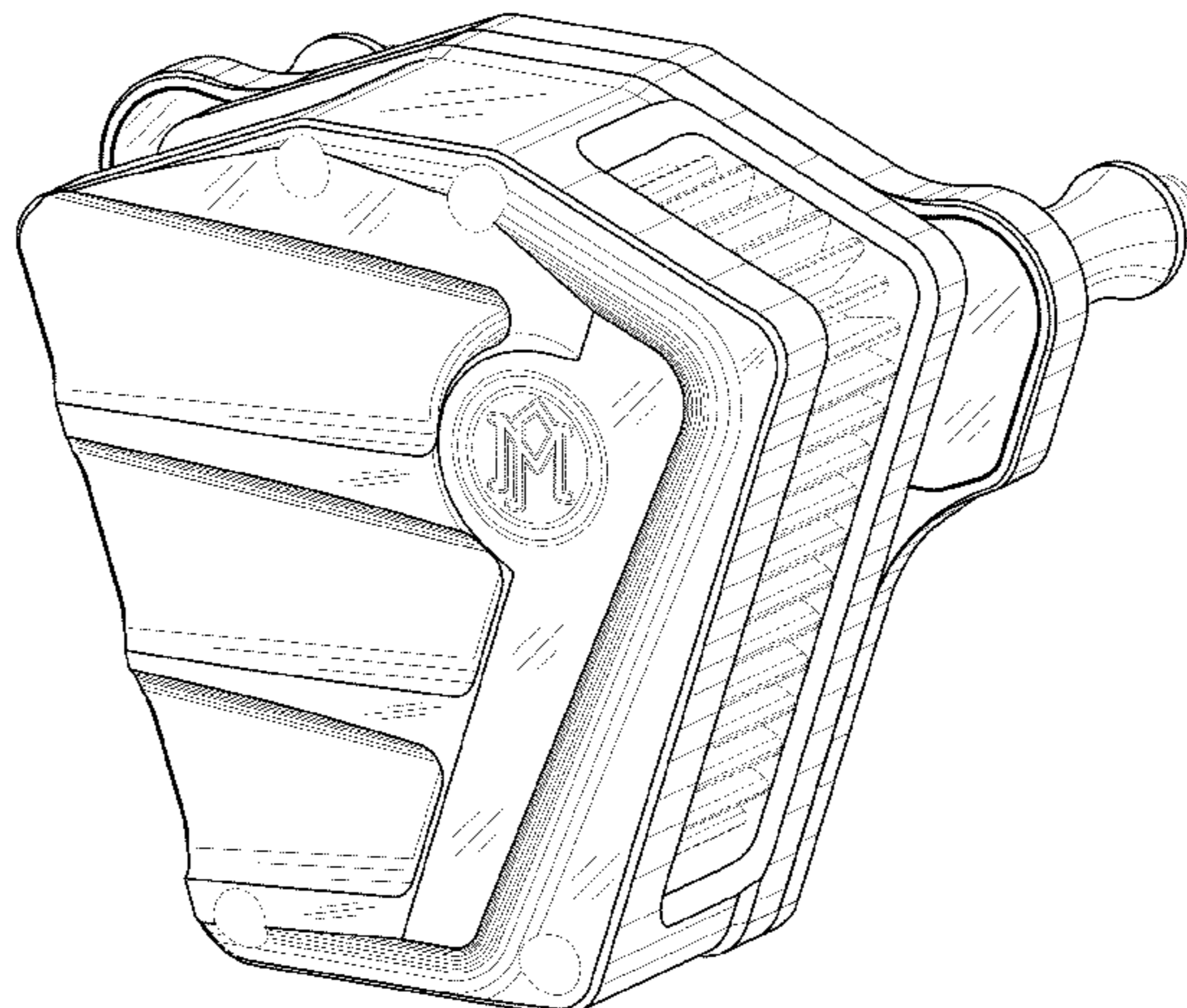
(57) **CLAIM**

The design for an air cleaner with a scalloped top surface, as shown and described.

DESCRIPTION

FIG. 1 is an isometric front view of my air cleaner with a scalloped top surface.
FIG. 2 is a rear isometric view thereof.
FIG. 3 is a front elevational view thereof.
FIG. 4 is a rear elevational view thereof.
FIG. 5 a left side elevation view thereof.
FIG. 6 a right side elevation view thereof; and,
FIG. 7 is a bottom plan view thereof.
The broken line showings-of the fluted air filter in FIGS. 1, 2, and 5 to 7, the bolts and their recesses in FIGS. 2 to 7, and the circular gasket and tube in FIGS. 2 and 4 to 7 are for the purpose of illustrating portions of the air cleaner and form no part of the claimed design.

1 Claim, 7 Drawing Sheets



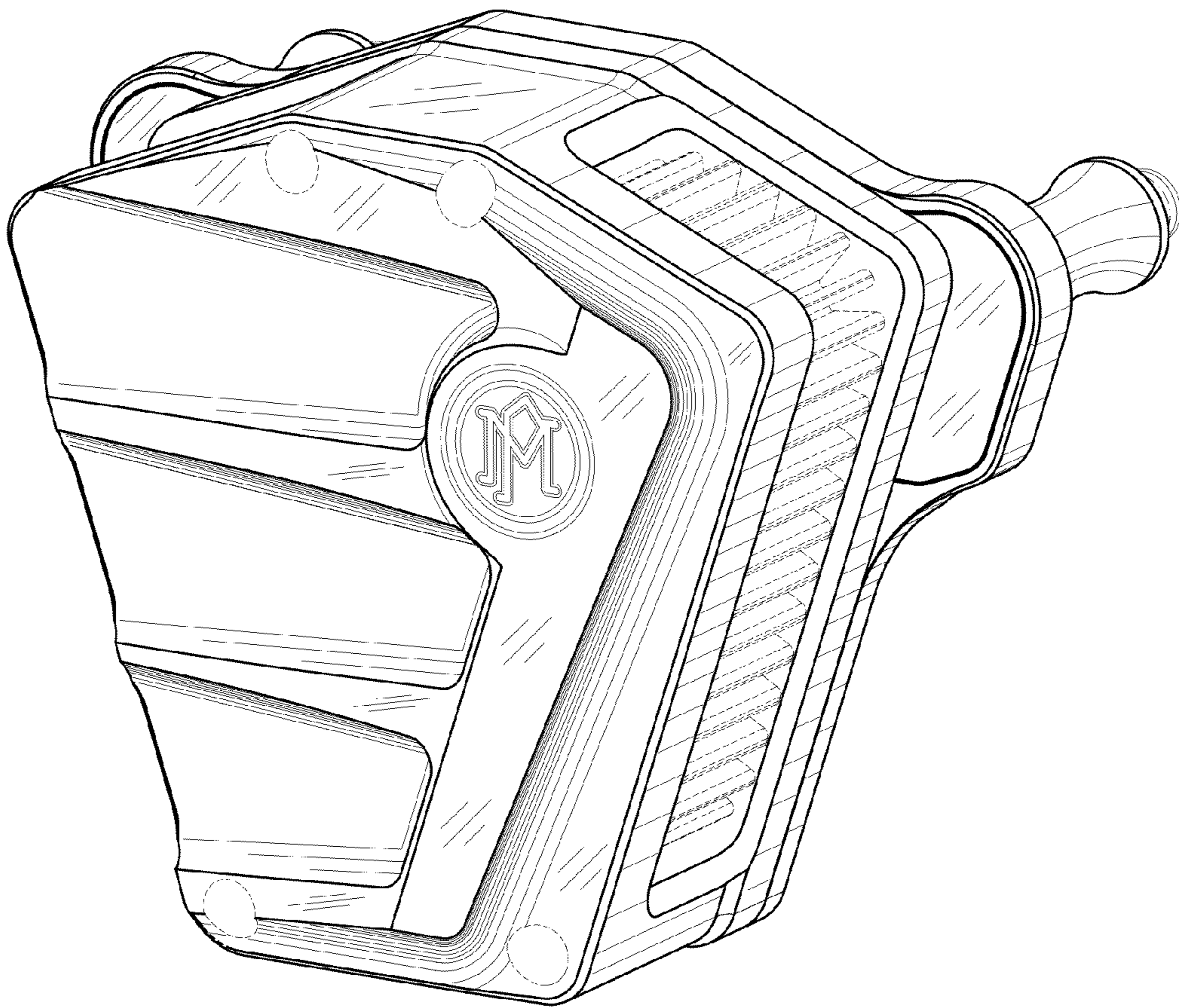


FIG 1

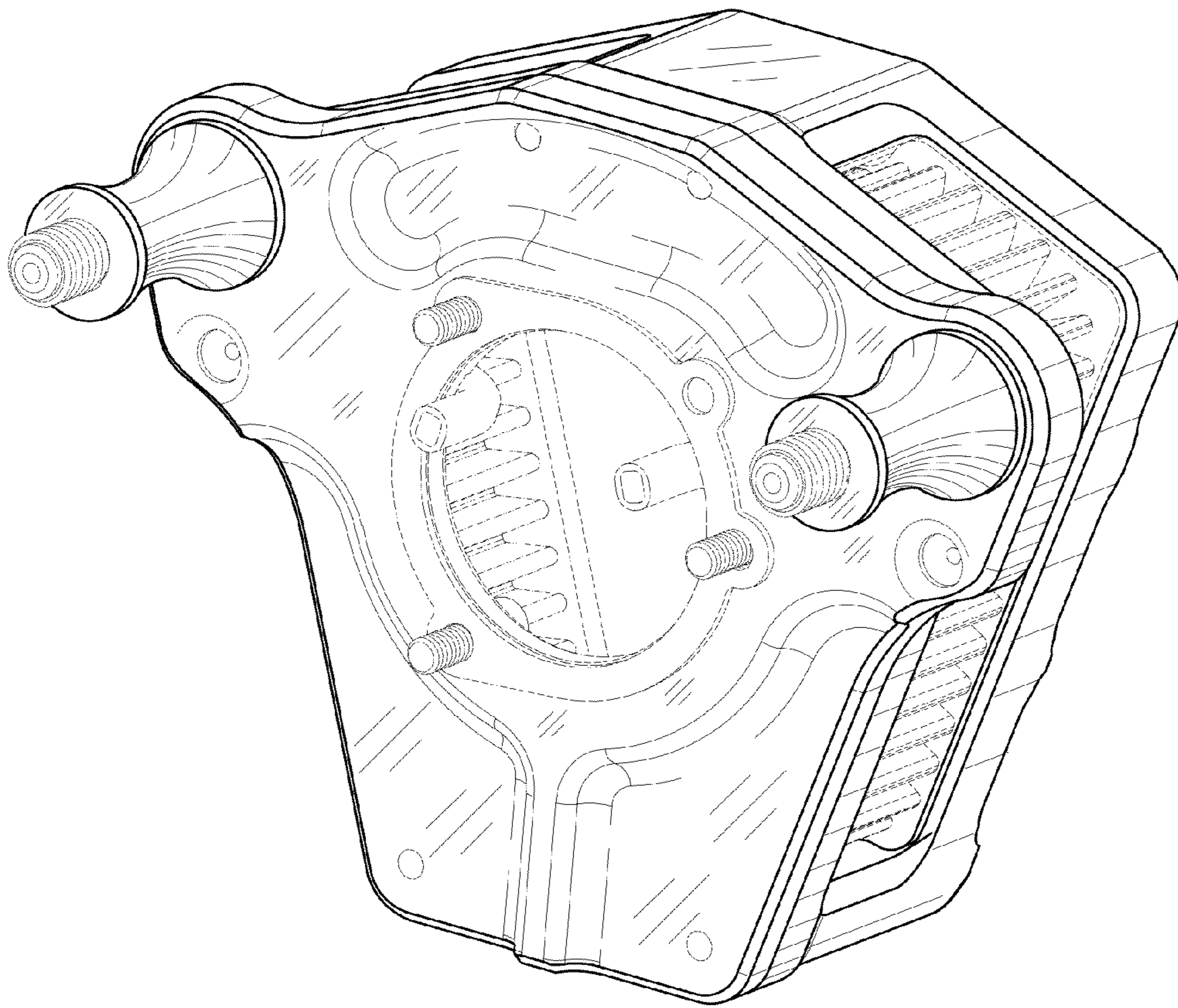


FIG 2

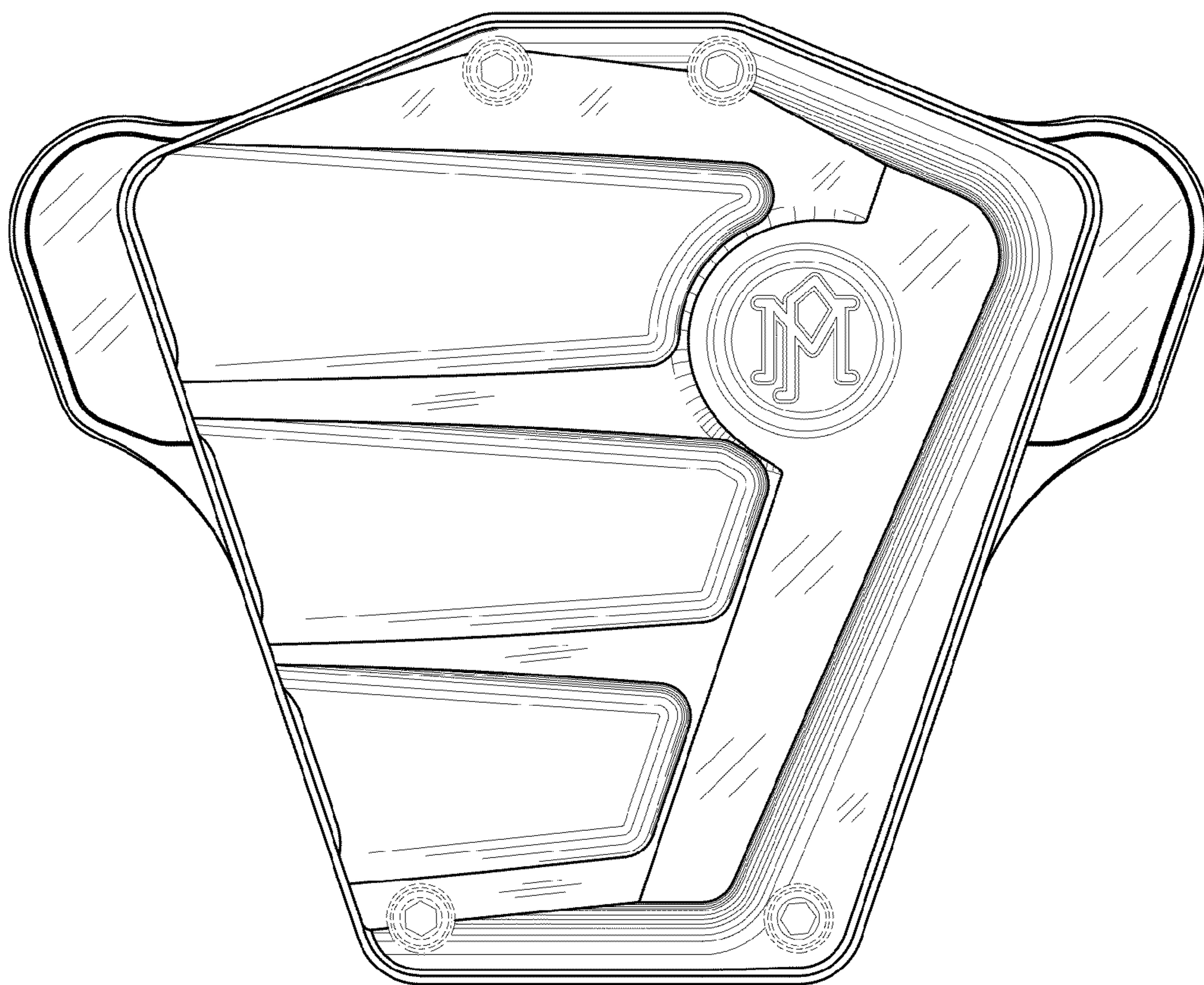


FIG 3

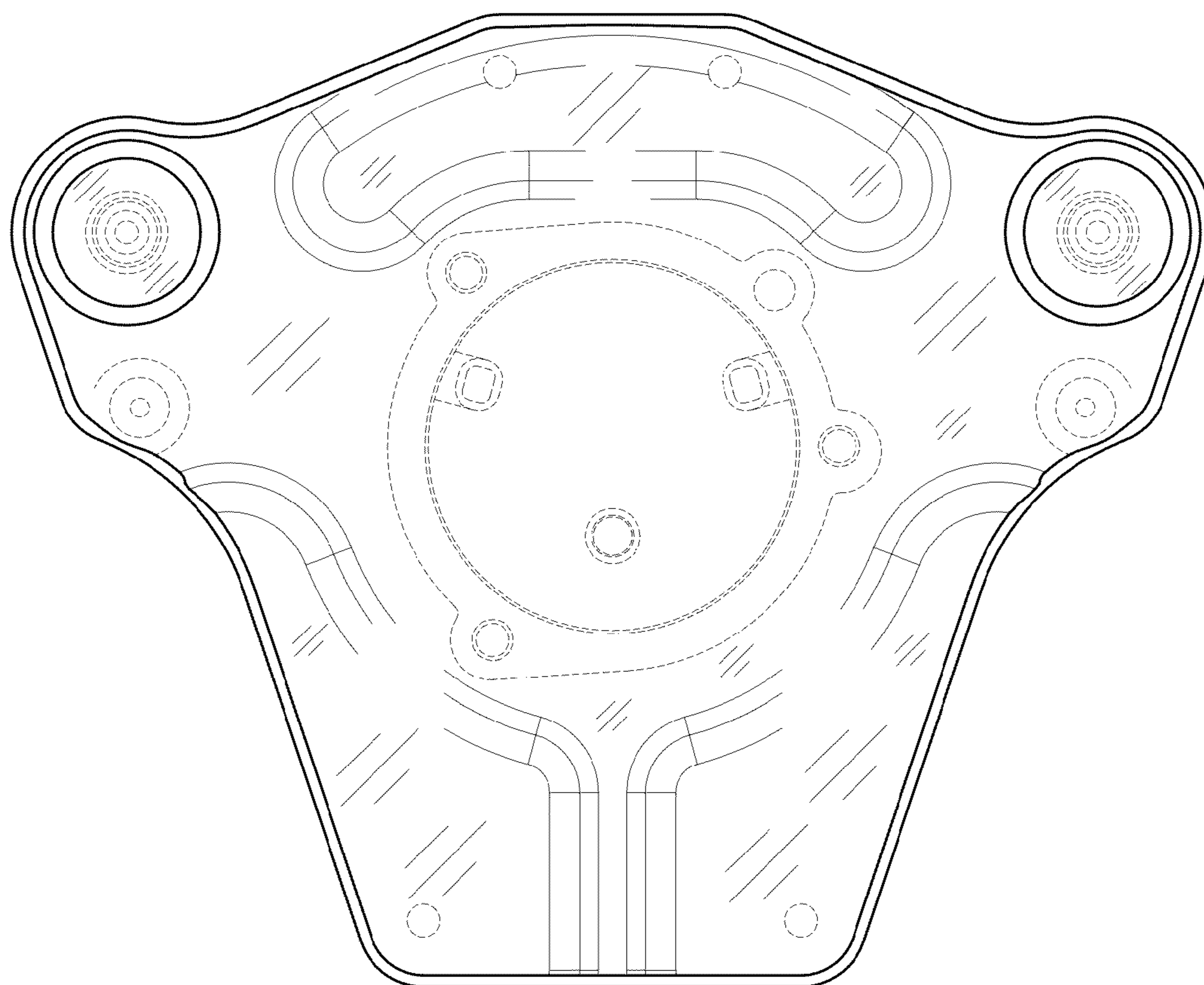


FIG 4

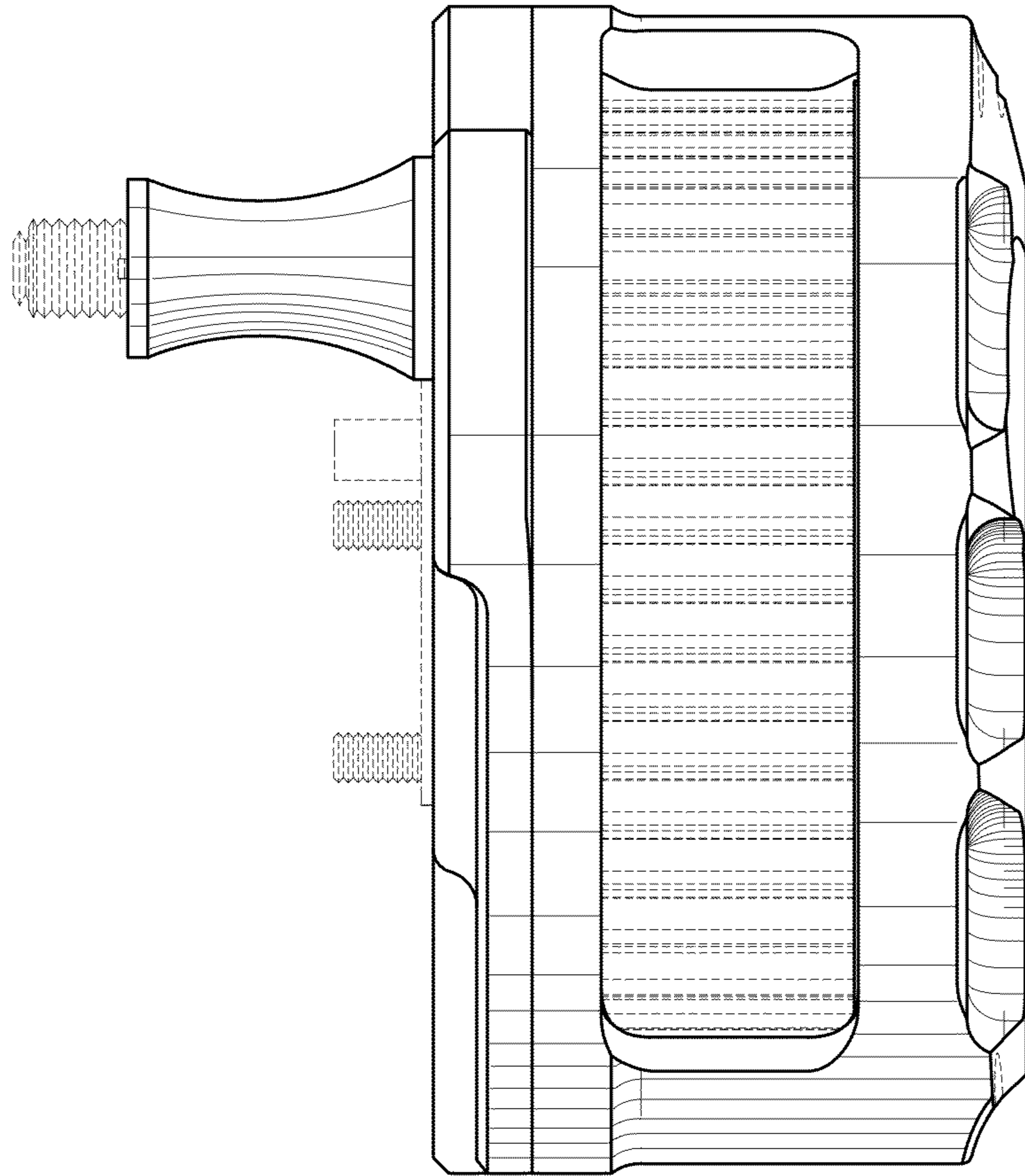


FIG 5

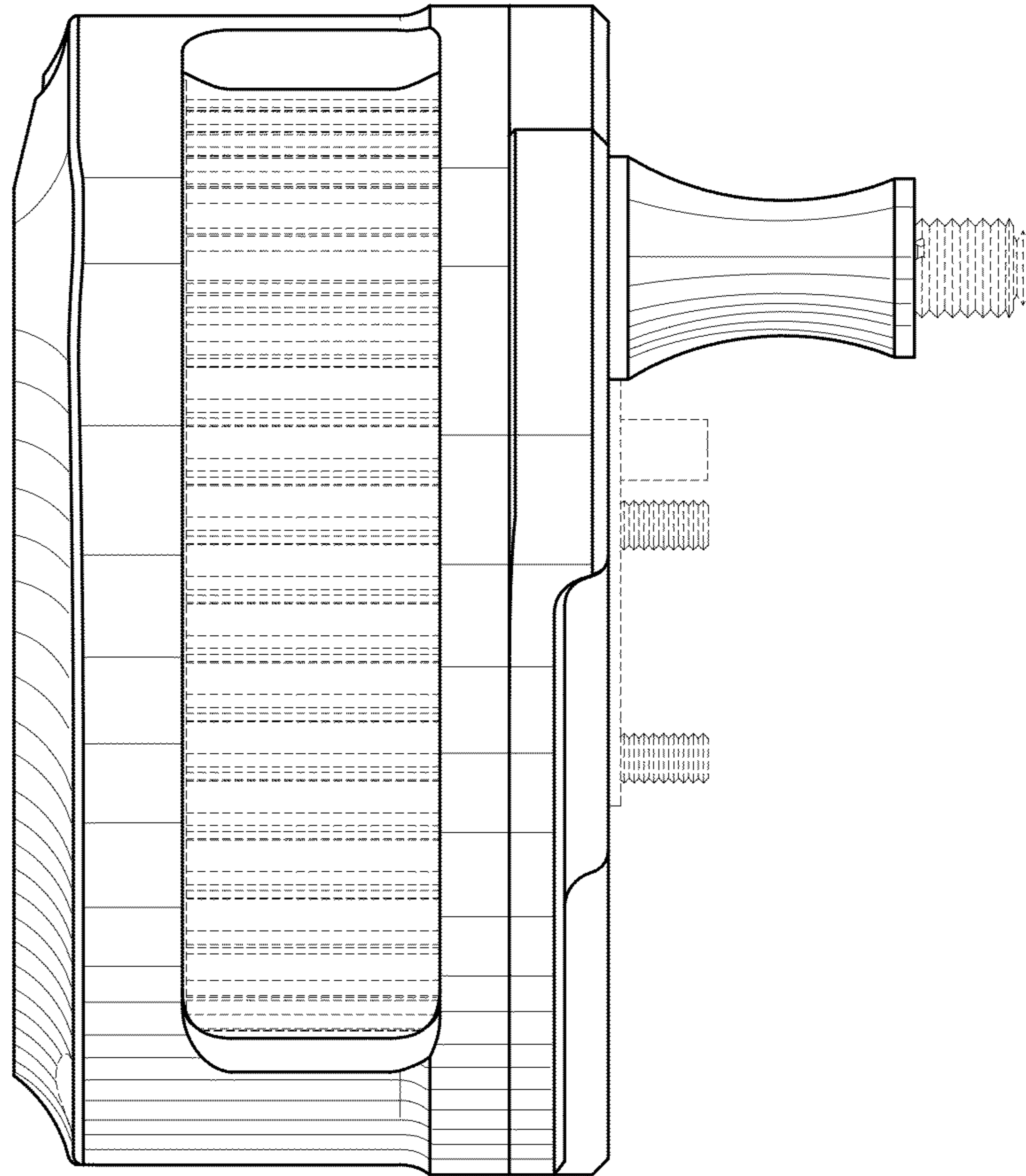


FIG 6

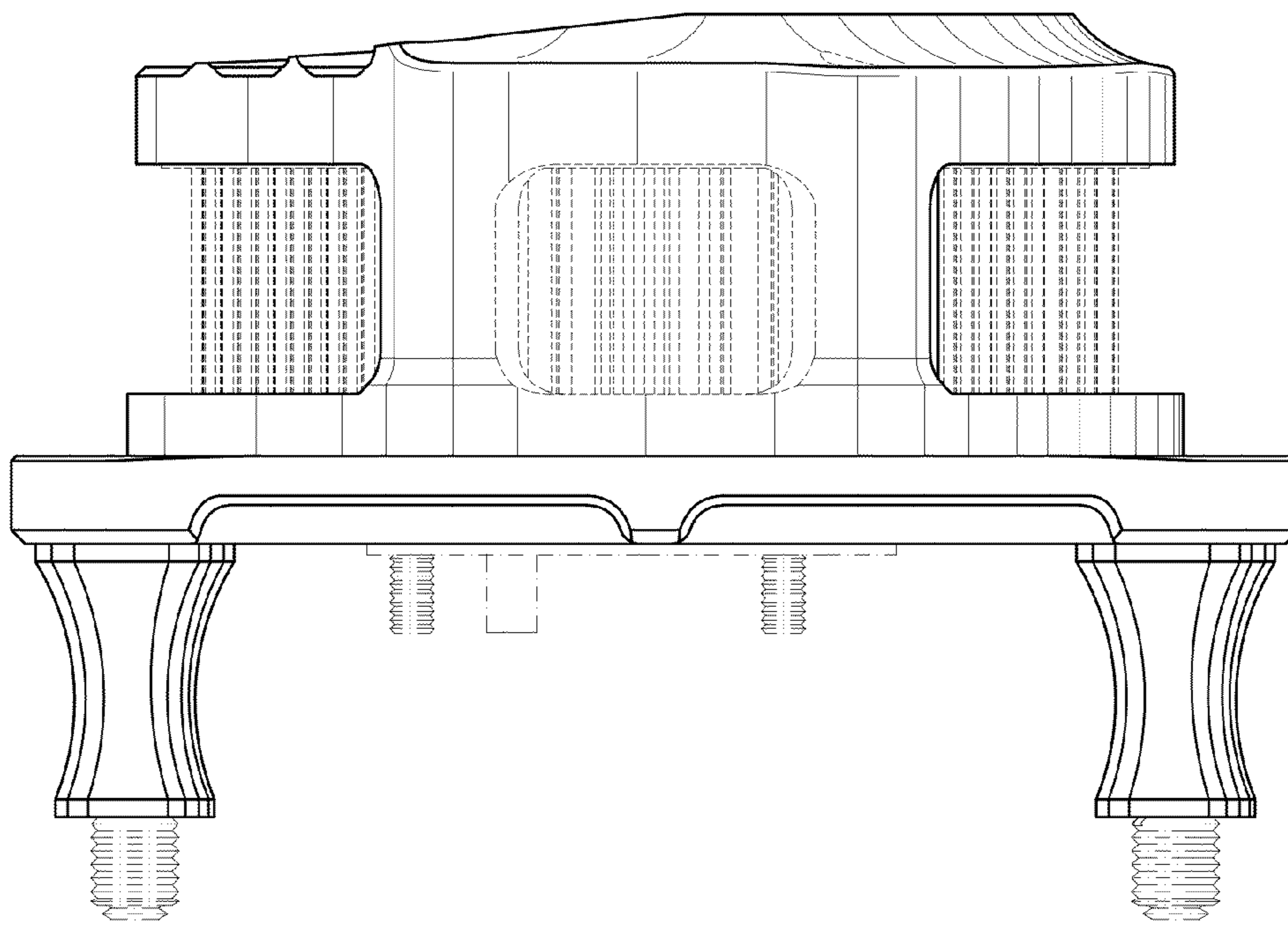


FIG 7