



US00D743517S

(12) **United States Design Patent**  
**Platt et al.**

(10) **Patent No.:** **US D743,517 S**

(45) **Date of Patent:** **\*\* Nov. 17, 2015**

(54) **HEAT EXCHANGER**

(71) Applicants: **Richard Booth Platt**, Grosse Pointe Farms, MI (US); **Rick Anthony Hobbs**, Sterling Heights, MI (US)

(72) Inventors: **Richard Booth Platt**, Grosse Pointe Farms, MI (US); **Rick Anthony Hobbs**, Sterling Heights, MI (US)

(\*\*) Term: **14 Years**

(21) Appl. No.: **29/458,108**

(22) Filed: **Jun. 17, 2013**

(51) **LOC (10) Cl.** ..... **23-03**

(52) **U.S. Cl.**  
USPC ..... **D23/323**

(58) **Field of Classification Search**  
USPC ..... D23/314, 323, 330, 386, 499; 165/181, 165/121, 166, 167, 170, 150, 151, 182, 172, 165/140, 41; 123/41.3; 180/68.4; 416/195; D12/166; D15/5  
See application file for complete search history.

(56) **References Cited**

**U.S. PATENT DOCUMENTS**

5,771,961 A \* 6/1998 Alizadeh ..... 165/121  
2014/0366816 A1 \* 12/2014 Platt et al. .... 123/41.3

\* cited by examiner

*Primary Examiner* — T. Chase Nelson

*Assistant Examiner* — Ania Aman

(74) *Attorney, Agent, or Firm* — Jerome R. Drouillard

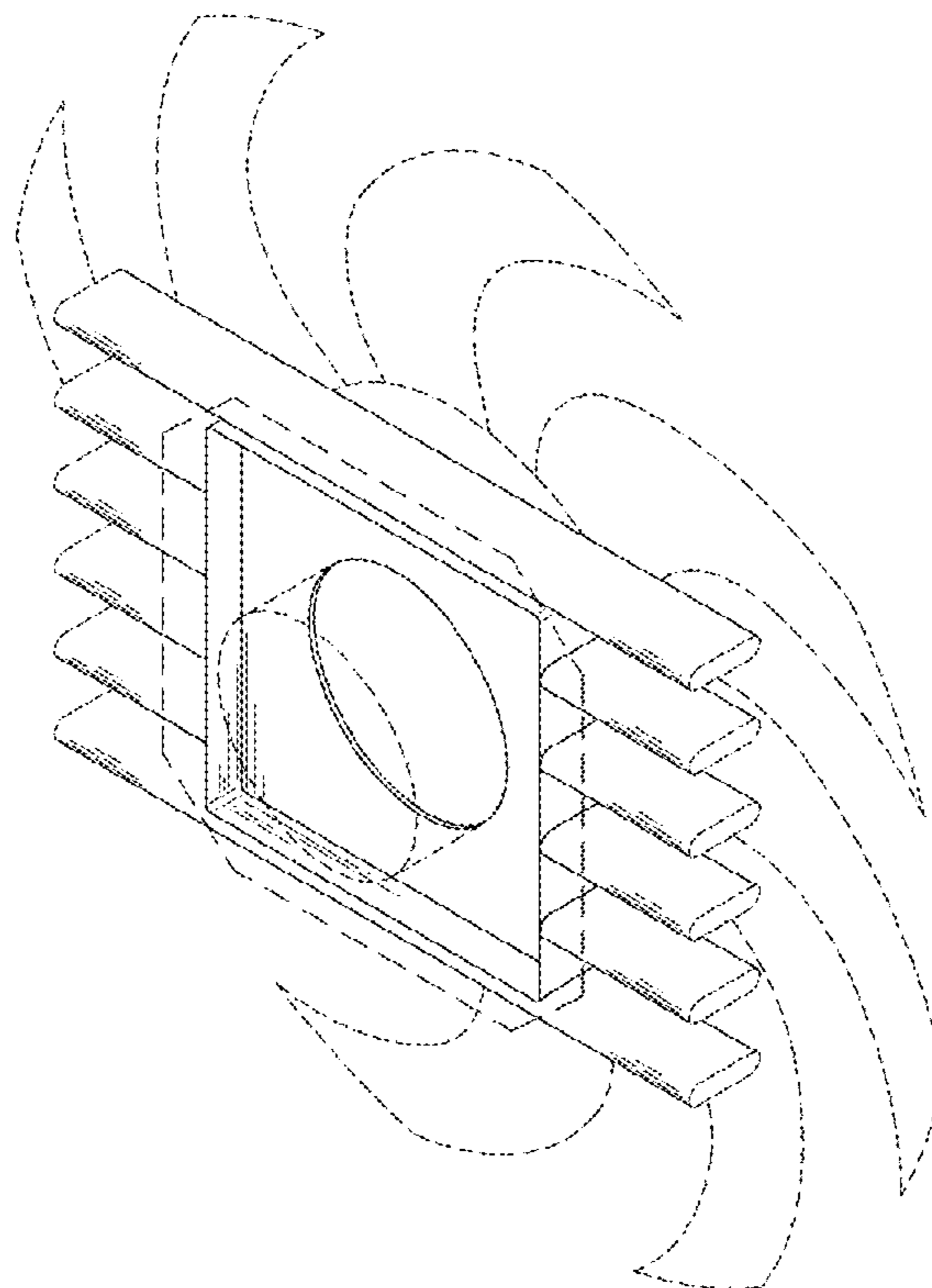
(57) **CLAIM**

The ornamental design for a heat exchanger, as shown and described.

**DESCRIPTION**

FIG. 1 is a perspective view of a fan-cooled heat exchanger according to the present invention.  
FIG. 2 is similar to FIG. 1 and shows with particularity a tunnel port for housing a fan motor.  
FIG. 3 is a front elevational view of the heat exchanger of FIGS. 1 and 2, with the rear elevational view being a mirror image thereof.  
FIG. 4 is a right-side elevational view of the present heat exchanger, with the left-side elevational view being a mirror image thereof; and,  
FIG. 5 is a bottom plan view of the present heat exchanger, with the top plan view being a mirror image thereof.  
The broken lines shown in the drawings are included for the purpose of illustrating portions of the article that form no part of the claimed design.

**1 Claim, 4 Drawing Sheets**



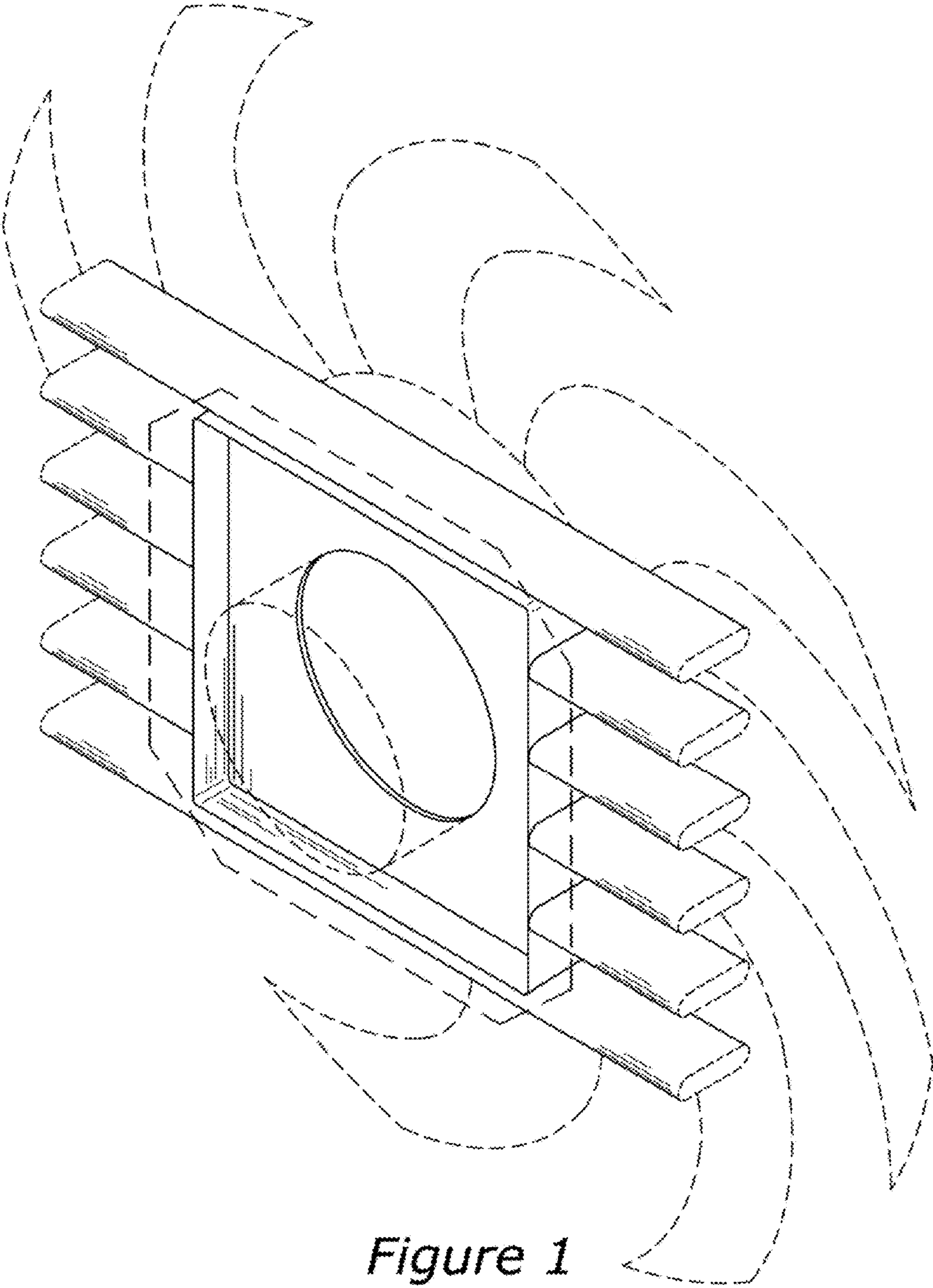


Figure 1

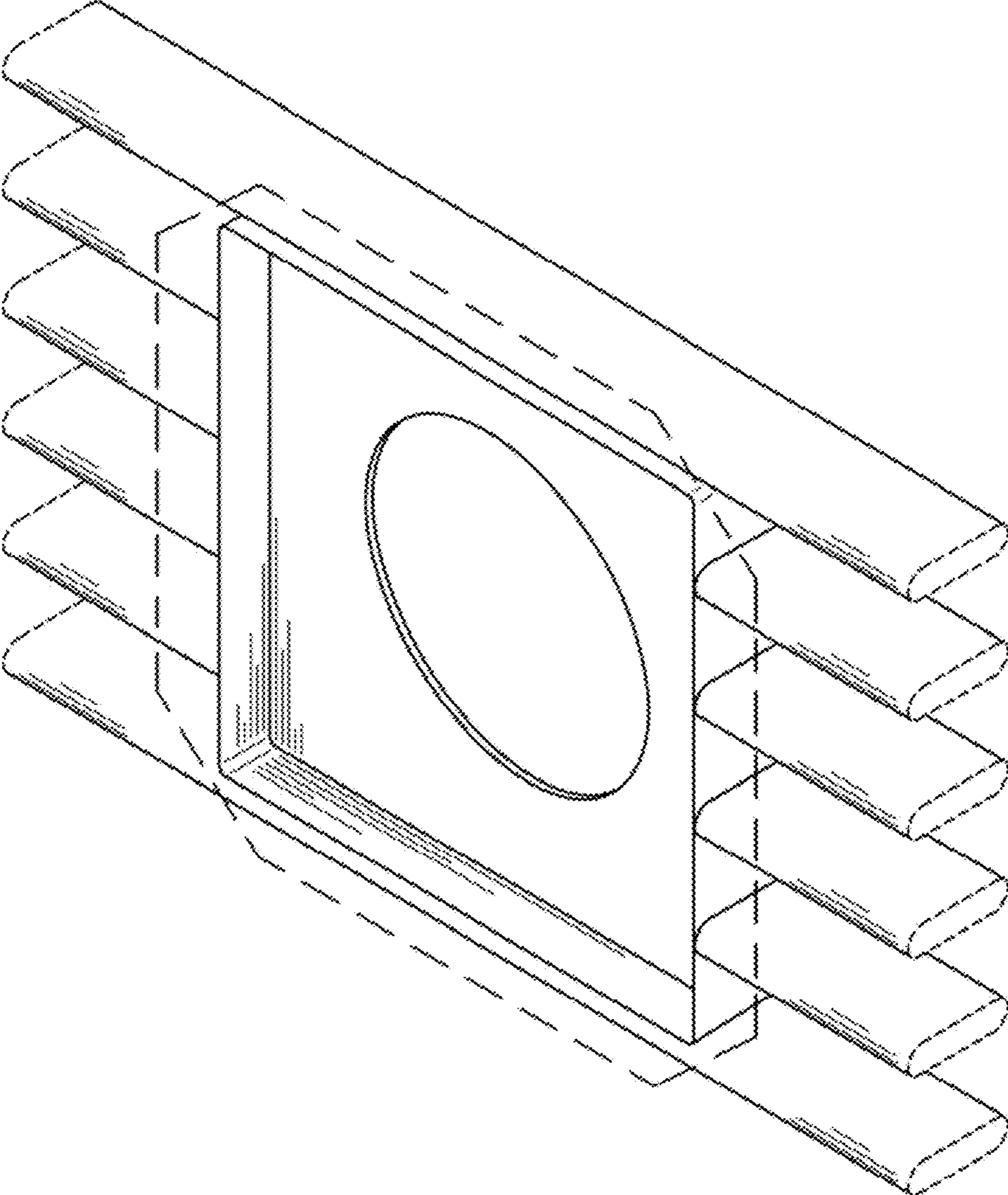
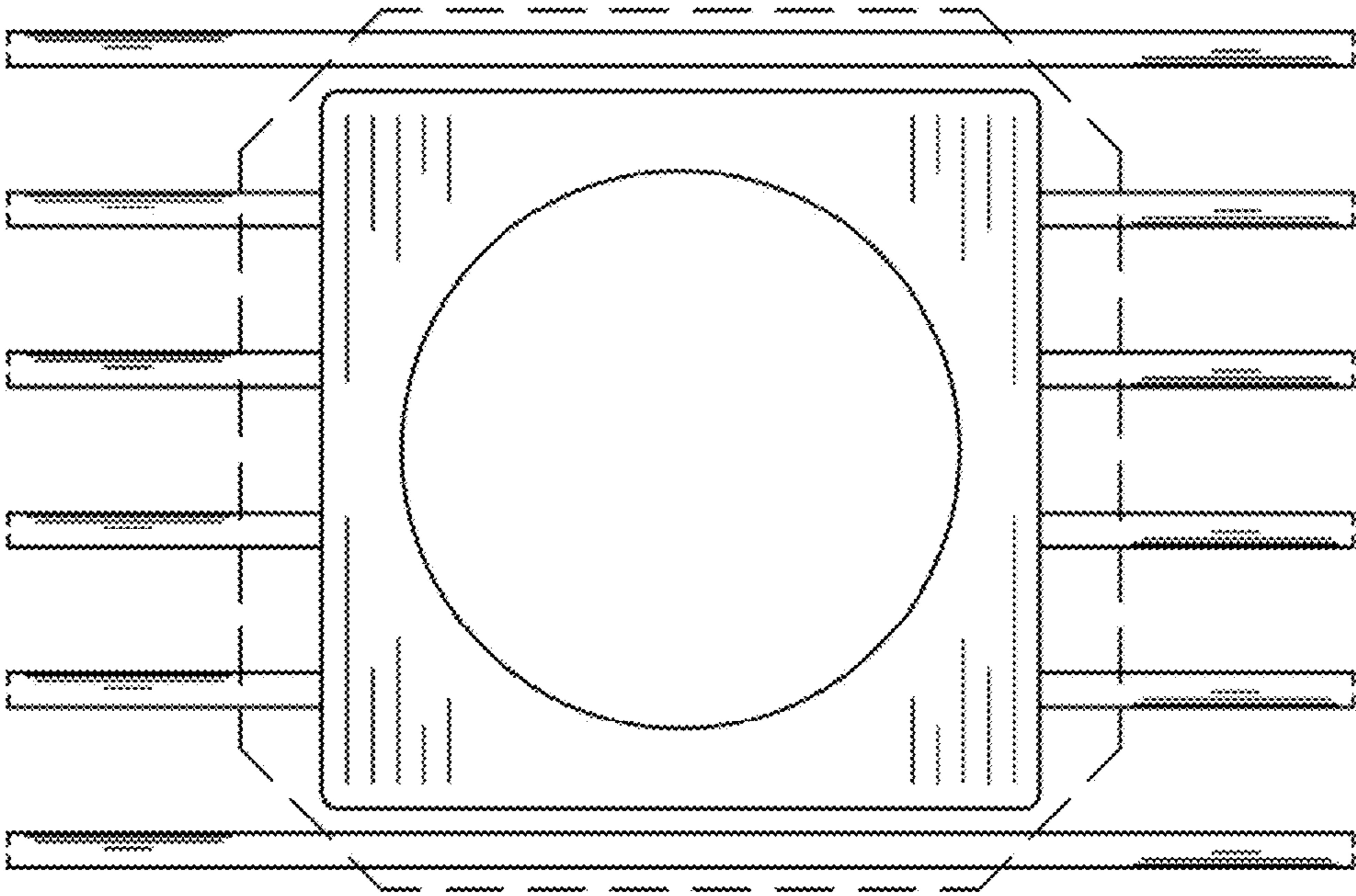
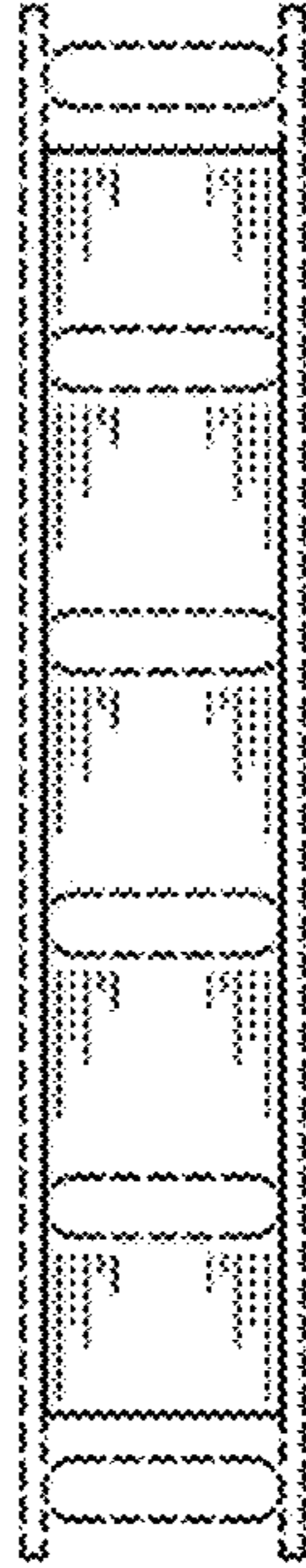


Figure 2



*Figure 3*



*Figure 4*



*Figure 5*