



US00D743516S

(12) **United States Design Patent**  
**Bates**

(10) **Patent No.:** **US D743,516 S**

(45) **Date of Patent:** **\*\* Nov. 17, 2015**

(54) **TOILET**

(71) Applicant: **Kohler Co.**, Kohler, WI (US)

(72) Inventor: **Michael R. Bates**, Rogers, MN (US)

(73) Assignee: **KOHLER CO.**, Kohler, WI (US)

(\*\*) Term: **14 Years**

(21) Appl. No.: **29/516,635**

(22) Filed: **Feb. 4, 2015**

**Related U.S. Application Data**

(62) Division of application No. 29/493,923, filed on Jun. 16, 2014, now Pat. No. Des. 724,712, which is a division of application No. 29/480,989, filed on Jan. 31, 2014, now Pat. No. Des. 725,248.

(51) **LOC (10) Cl.** ..... **23-02**

(52) **U.S. Cl.**  
USPC ..... **D23/301**

(58) **Field of Classification Search**  
USPC ..... D23/295, 301, 303, 309, 313; 4/353,  
4/420, DIG. 15  
See application file for complete search history.

(56) **References Cited**

**U.S. PATENT DOCUMENTS**

D86,995 S	5/1932	Brain
D323,880 S	2/1992	McKeone et al.
D387,858 S	12/1997	McKeone
D441,437 S	5/2001	McKeone
D444,864 S	7/2001	McKeone
D455,822 S	4/2002	McKeone
D496,442 S	9/2004	Bates
D496,443 S	9/2004	Bates
D506,537 S	6/2005	Lanius

D514,673 S	2/2006	Lanius
D515,185 S	2/2006	Daikubara
D515,186 S	2/2006	Lanius
D523,126 S	6/2006	Bates
D621,012 S	8/2010	Bucher
D621,013 S	8/2010	Bucher
D621,488 S	8/2010	Bucher
D628,279 S	11/2010	Jiang

(Continued)

**OTHER PUBLICATIONS**

Toto, Eco Soirée® One-Piece Toilet; 1.28GPF; 2 pages; Dec. 2012.  
Toto, Eco Guinevere® One-Piece Toilet; 1.28 GPF, 2 pages; Jun. 2009.

(Continued)

*Primary Examiner* — Robert Delehanty

(74) *Attorney, Agent, or Firm* — Foley & Lardner LLP

(57) **CLAIM**

I claim the ornamental design for a toilet, as shown and described.

**DESCRIPTION**

FIG. 1 is a perspective view of an embodiment of the claimed design;

FIG. 2 is a front plan view of the design of FIG. 1;

FIG. 3 is a rear plan view of the design of FIG. 1;

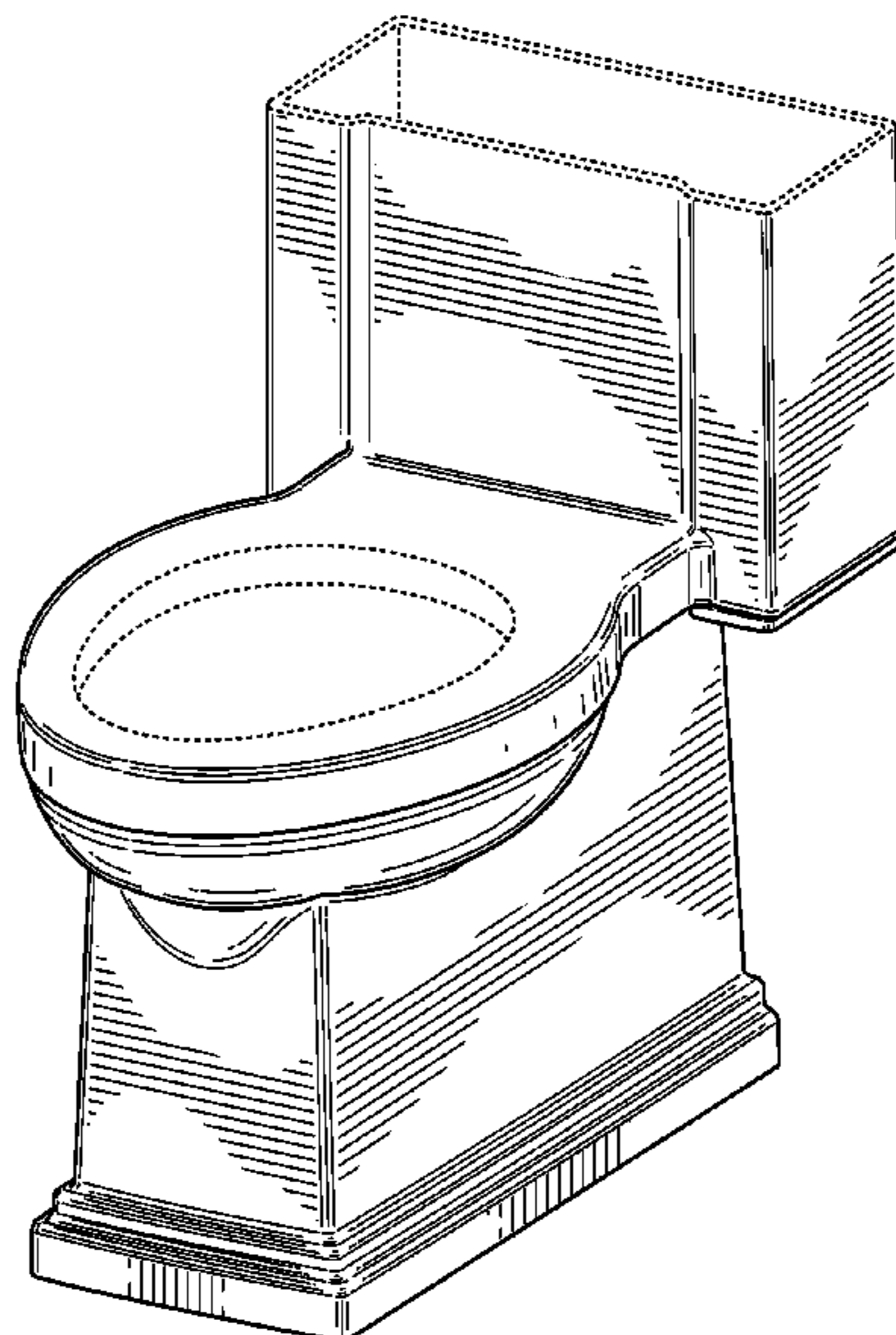
FIG. 4 is a left side plan view of the design of FIG. 1;

FIG. 5 is a right side plan view of the design of FIG. 1; and,

FIG. 6 is a top plan view of the design of FIG. 1.

The ornamental design which is claimed is shown in solid lines in the drawings. The broken lines in the drawings are for illustrative purposes only and form no part of the claimed design. Broken lines formed by equal length dashes show unclaimed portions of the design.

**1 Claim, 6 Drawing Sheets**



(56)

**References Cited**

**OTHER PUBLICATIONS**

U.S. PATENT DOCUMENTS

D647,184 S 10/2011 Bates  
D657,852 S 4/2012 Vanderheyden et al.  
D667,092 S 9/2012 Vanderheyden et al.  
D670,368 S 11/2012 Vanderheyden et al.  
D685,071 S 6/2013 Vanderheyden et al.

American Standard; Boulevard® Siphonic Dual Flush Right  
Height® Elongated One-Piece Toilet with Seat; 2 pages; May 2011.  
Non Final Office Action in U.S. Appl. No. 29/480,989 dated Jul. 2,  
2014.

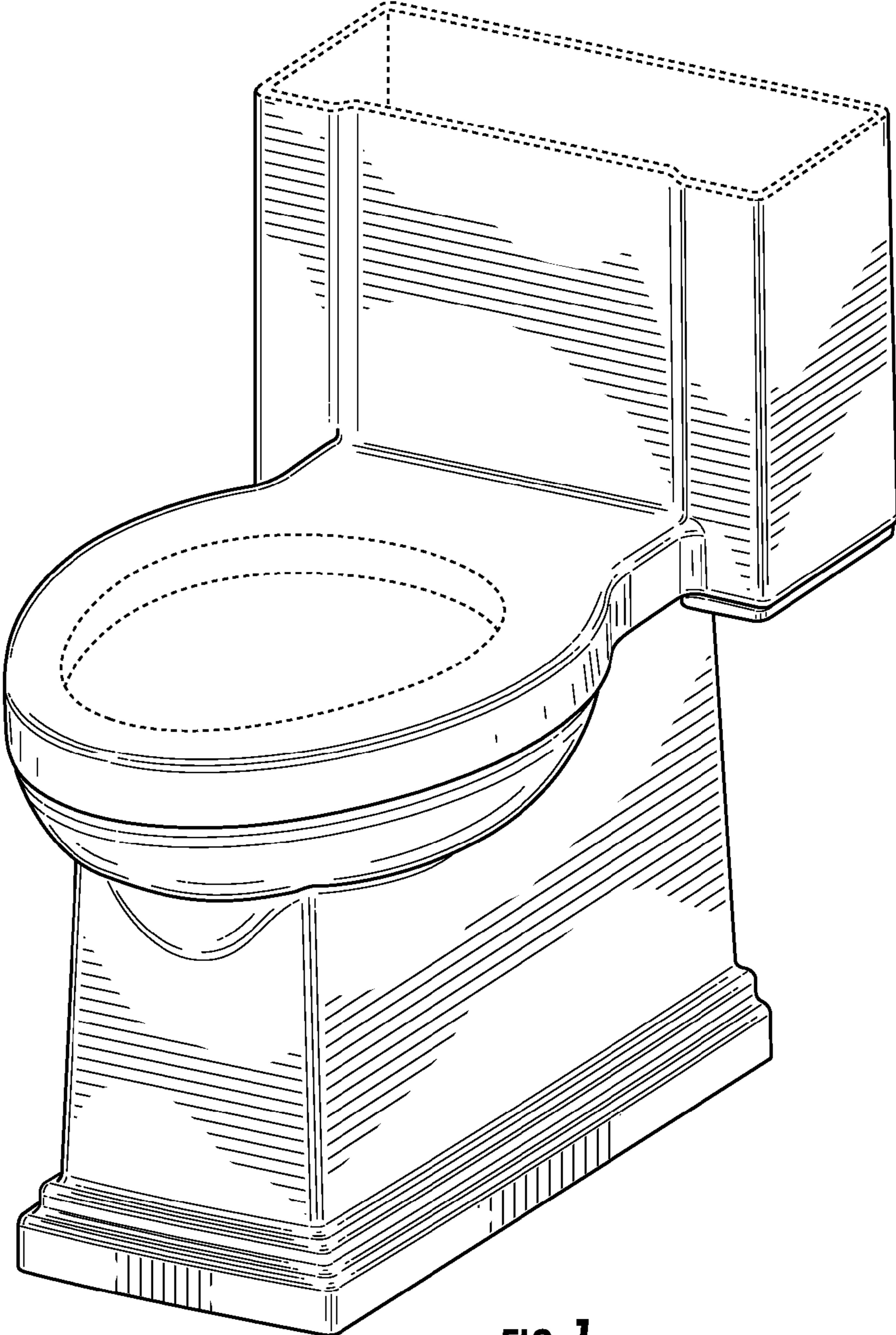
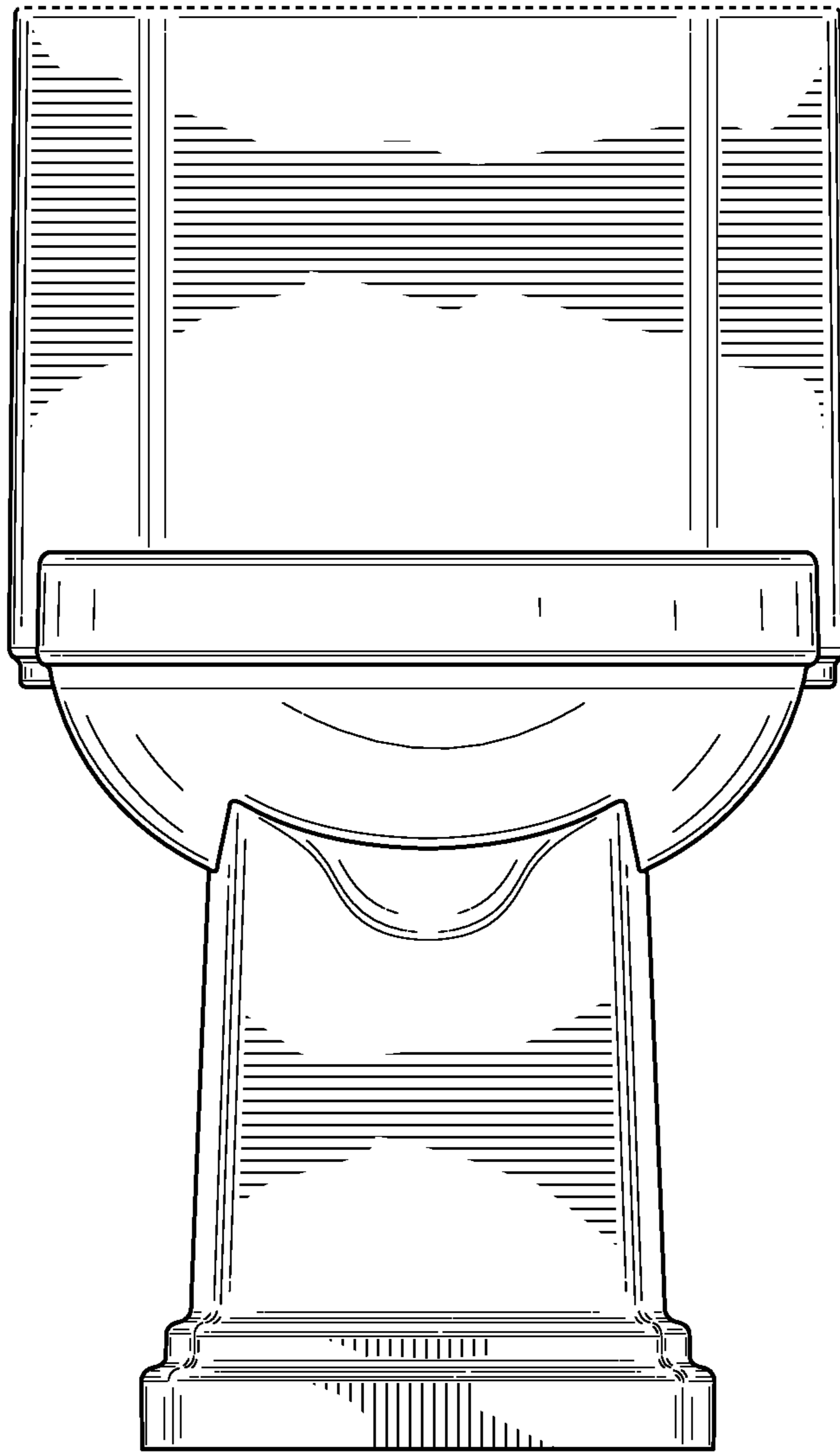
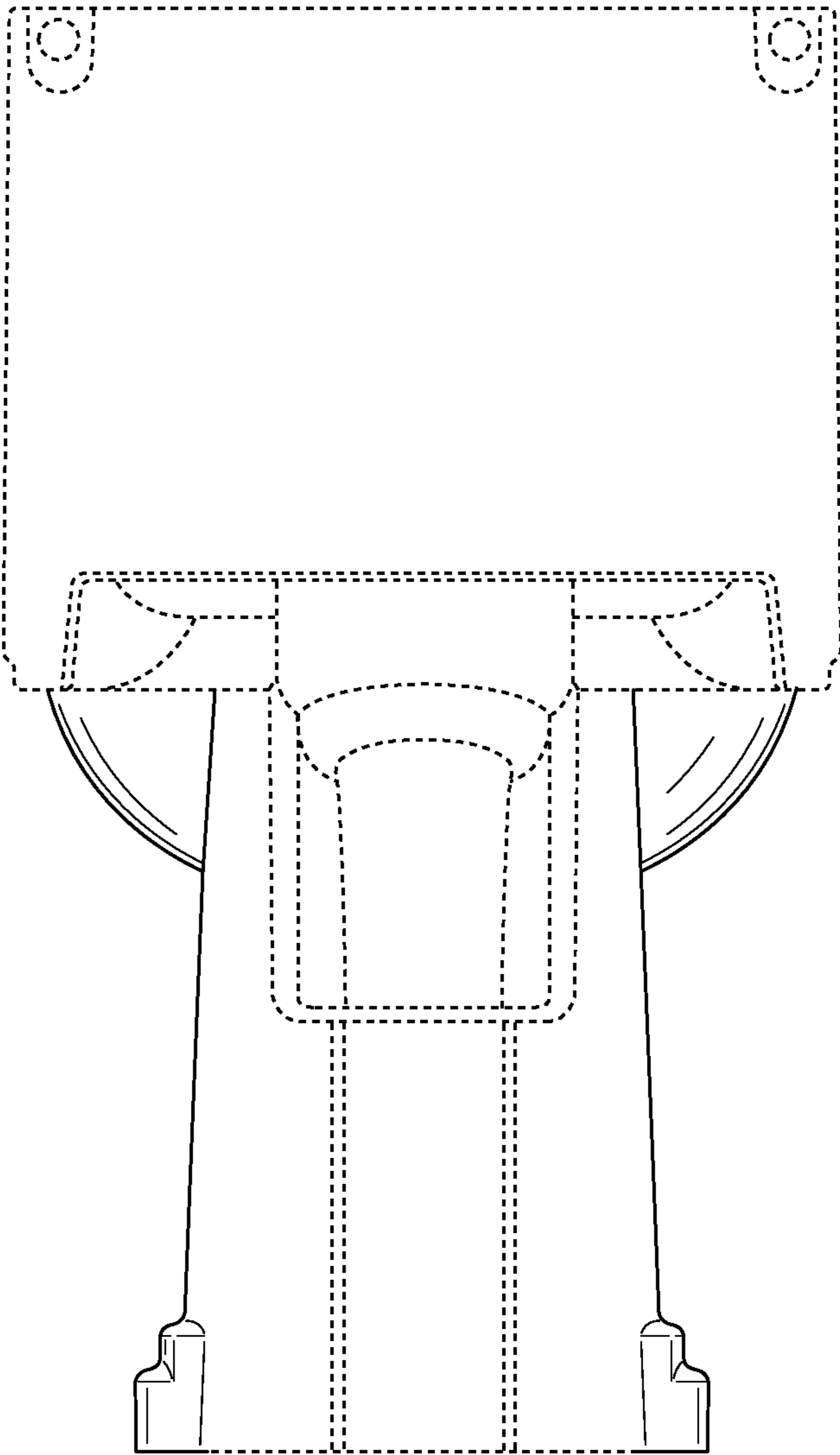


FIG. 1



**FIG. 2**



**FIG. 3**

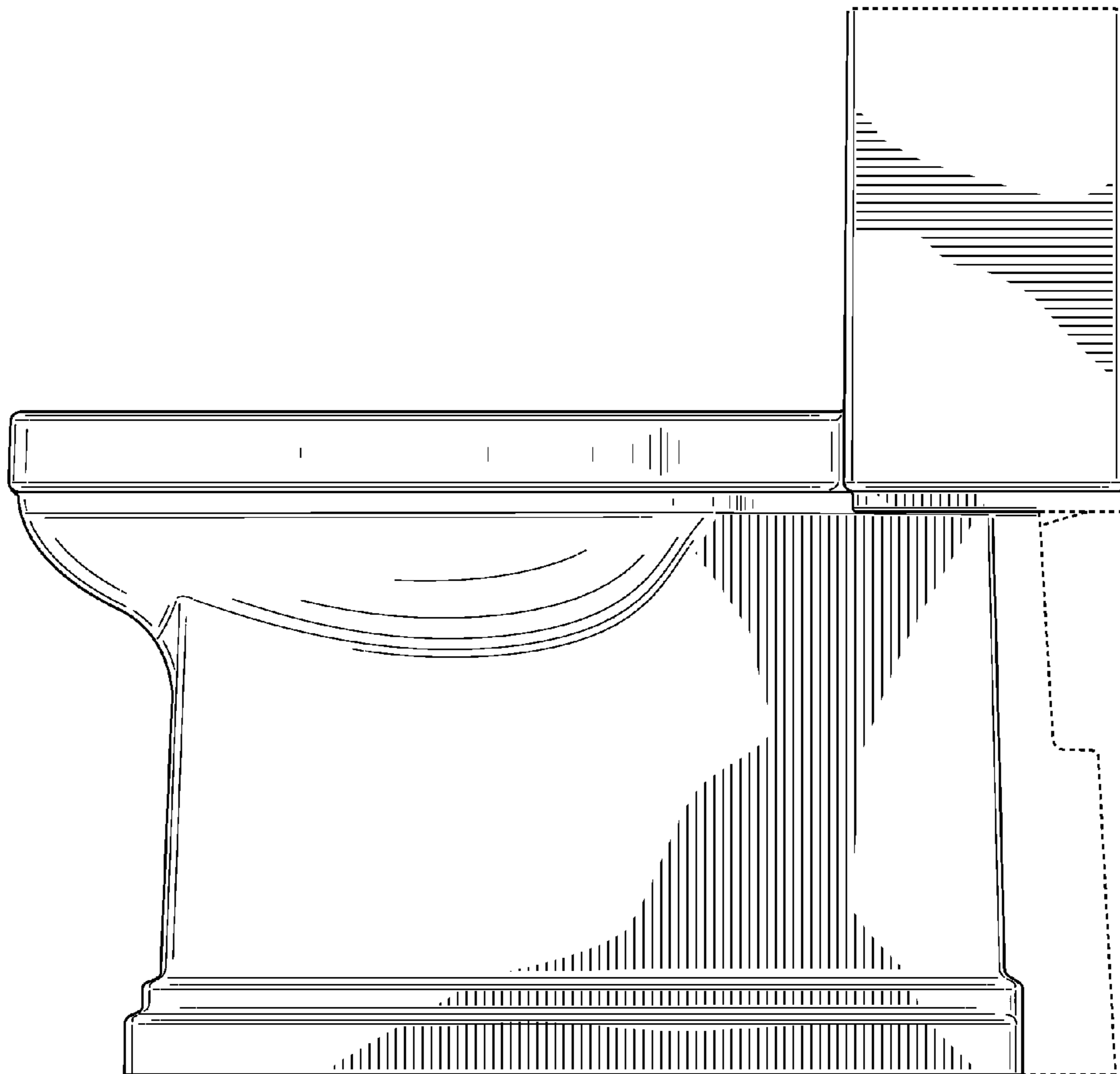


FIG. 4

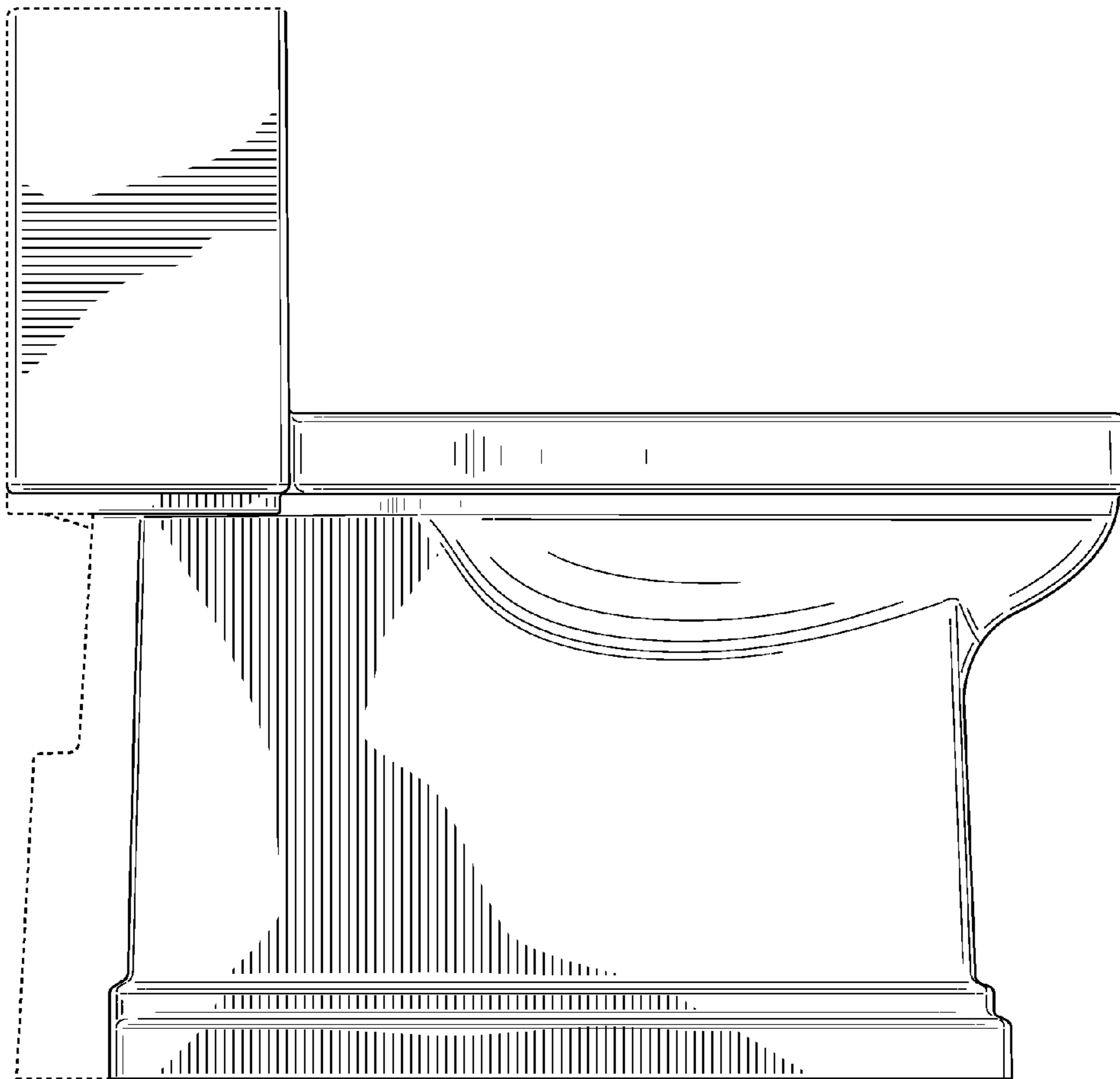
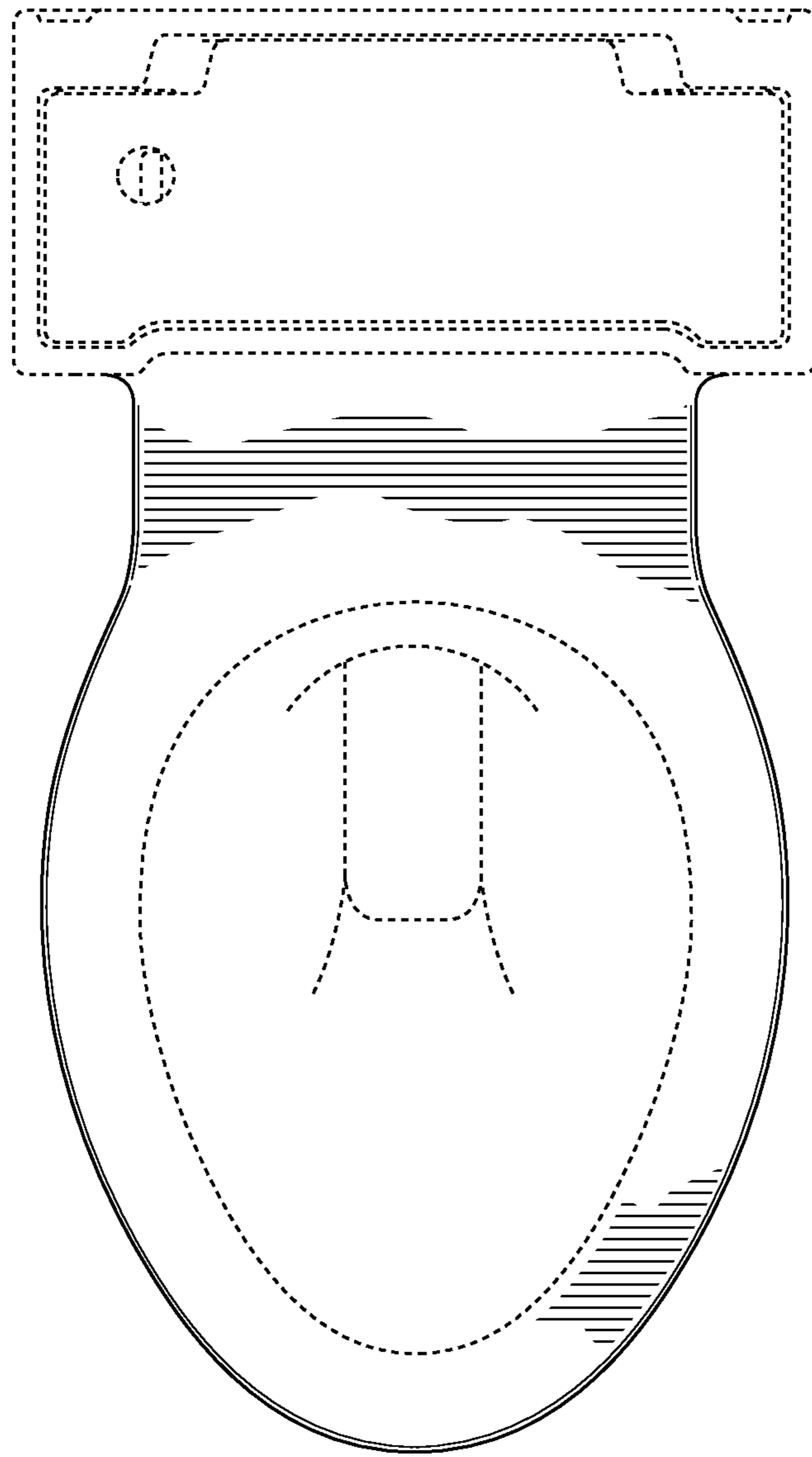


FIG. 5





**FIG. 6**