



US00D743515S

(12) **United States Design Patent**
LeTourneau et al.

(10) **Patent No.:** **US D743,515 S**

(45) **Date of Patent:** **** Nov. 17, 2015**

(54) **LAVATORY**

(71) Applicant: **Kohler Co.**, Kohler, WI (US)

(72) Inventors: **Alexander V. LeTourneau**, Sheboygan, WI (US); **Shawn J. Booth**, Sheboygan, WI (US); **Mary J. Reid**, Sheboygan, WI (US)

(73) Assignee: **KOHLER CO.**, Kohler, WI (US)

(**) Term: **14 Years**

(21) Appl. No.: **29/516,906**

(22) Filed: **Feb. 6, 2015**

Related U.S. Application Data

(62) Division of application No. 29/481,084, filed on Jan. 31, 2014, now Pat. No. Des. 722,370.

(51) **LOC (10) Cl.** **23-02**

(52) **U.S. Cl.**
USPC **D23/284**

(58) **Field of Classification Search**
USPC D23/284, 286–287, 290–291, 293.1,
D23/303, 308; 4/619, 630–631, 638, 639,
4/650, 661; D24/234
See application file for complete search history.

(56) **References Cited**

U.S. PATENT DOCUMENTS

D191,432 S	10/1961	Chapman
3,101,486 A	8/1963	Tiller
D218,031 S	7/1970	Wheeler
D243,241 S	2/1977	Doman
D259,439 S	6/1981	Doman
D295,068 S	4/1988	Kohler et al.
D295,670 S	5/1988	Reid et al.
D310,558 S	9/1990	Kohler et al.
D313,068 S	12/1990	Kohler et al.
D318,105 S	7/1991	Kohler et al.
D319,691 S	9/1991	Yvetot

D323,879 S	2/1992	Sauter
D324,264 S	2/1992	Sauter et al.
D324,903 S	3/1992	Sauter et al.
D324,908 S	3/1992	Sauter et al.
D324,909 S	3/1992	Sauter et al.
D325,625 S	4/1992	Sauter et al.

(Continued)

Primary Examiner — Robert Delehanty

(74) *Attorney, Agent, or Firm* — Foley & Lardner LLP

(57) **CLAIM**

We claim the ornamental design for a lavatory, as shown and described.

DESCRIPTION

FIG. 1 is a top perspective view of an embodiment of the claimed design;

FIG. 2 is a front view of the embodiment of the claimed design shown in FIG. 1;

FIG. 3 is a rear view of the embodiment of the claimed design shown in FIG. 1;

FIG. 4 is a side view of the embodiment of the claimed design shown in FIG. 1;

FIG. 5 is another side view of the embodiment of the claimed design shown in FIG. 1;

FIG. 6 is a top view of the embodiment of the claimed design shown in FIG. 1;

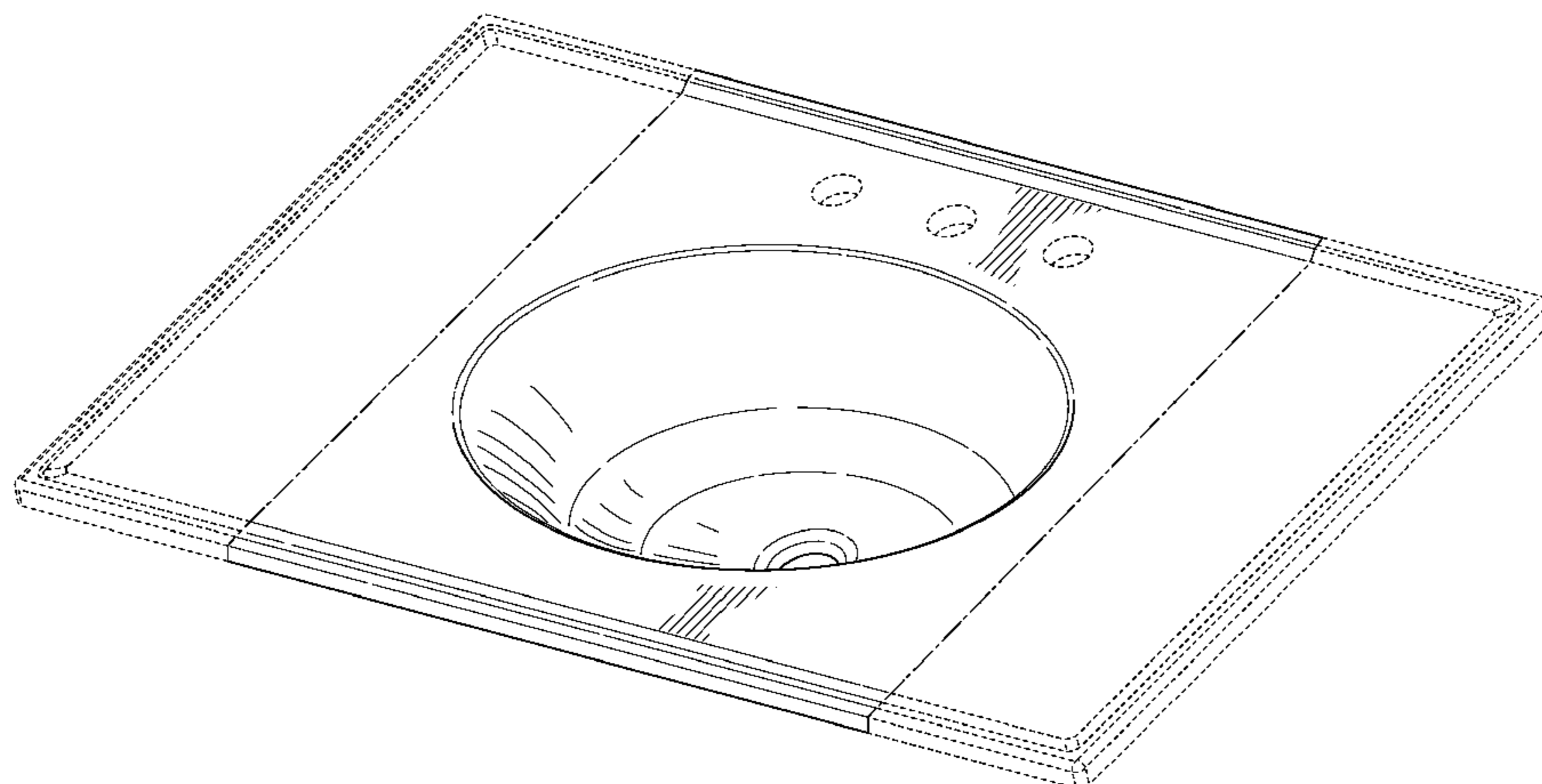
FIG. 7 is a bottom view of the embodiment of the claimed design shown in FIG. 1;

FIG. 8 is a cross-section view of the embodiment of the claimed design shown in FIG. 1; and,

FIG. 9 is a second cross-section view of the embodiment of the claimed design shown in FIG. 1.

The ornamental design which is claimed is shown in solid lines in the drawings. The broken lines in the drawings are for illustrative purposes only and form no part of the claimed design. Broken lines formed by equal length dashes show unclaimed portions of the design. Broken lines formed of unequal length dashes (i.e., dash-dot) show boundaries between claimed and unclaimed portions of the design.

1 Claim, 6 Drawing Sheets



(56)

References Cited

U.S. PATENT DOCUMENTS

D337,155 S	7/1993	O'Connell	D506,532 S	6/2005	Mayer
D353,447 S	12/1994	Formgren	D506,534 S	6/2005	Sutopo
D353,652 S	12/1994	Dannenberg	D507,044 S	7/2005	Sutopo
D353,881 S	12/1994	Roach	D510,132 S	9/2005	Piatt
D356,859 S	3/1995	Formgren	D518,560 S	4/2006	Arkay-Leliever
D387,857 S	12/1997	McKeone	D524,429 S	7/2006	Bates
D397,415 S	8/1998	McKeone	D538,407 S	3/2007	Bates et al.
D436,656 S	1/2001	McKeone	D588,245 S	3/2009	Kohler et al.
D461,881 S	8/2002	McKeone	D598,082 S	8/2009	Booth
D463,538 S	9/2002	Chipperfield	D601,675 S	10/2009	Booth et al.
D473,293 S	4/2003	Piatt	D603,484 S	11/2009	Eilmus
D482,434 S	11/2003	Piatt	D622,365 S	8/2010	Schonherr et al.
D495,793 S	9/2004	Bayer et al.	D622,825 S	8/2010	LeTourneau et al.
D497,416 S	10/2004	Piatt	D645,946 S	9/2011	Guzman Salazar
D497,417 S	10/2004	Piatt	D655,799 S	3/2012	Vanderheyden et al.
D504,939 S	5/2005	Piatt	D655,800 S	3/2012	Vanderheyden et al.
			D657,028 S	4/2012	Eilmus
			D657,851 S	4/2012	Eilmus
			D682,998 S	5/2013	Eilmus

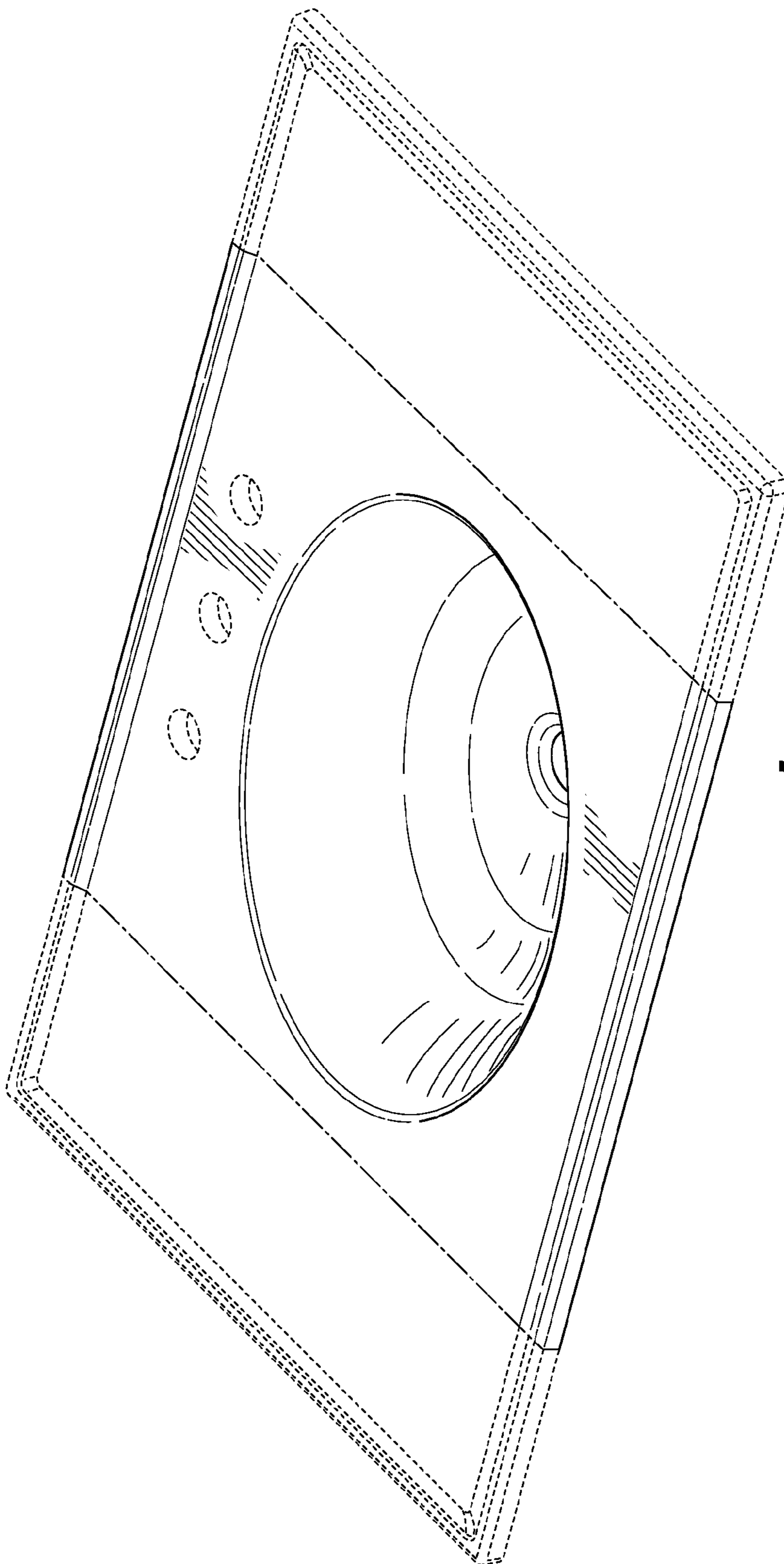


FIG. 1

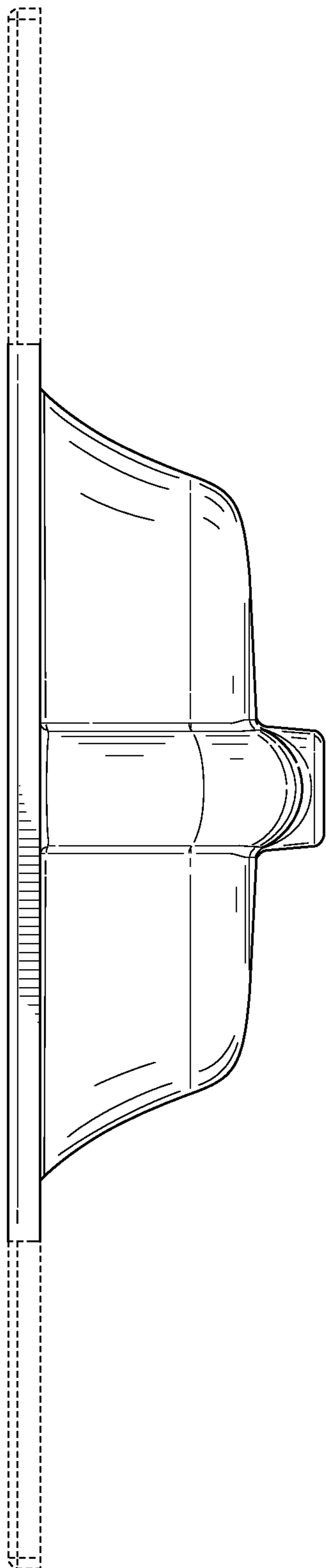


FIG. 2



FIG. 3

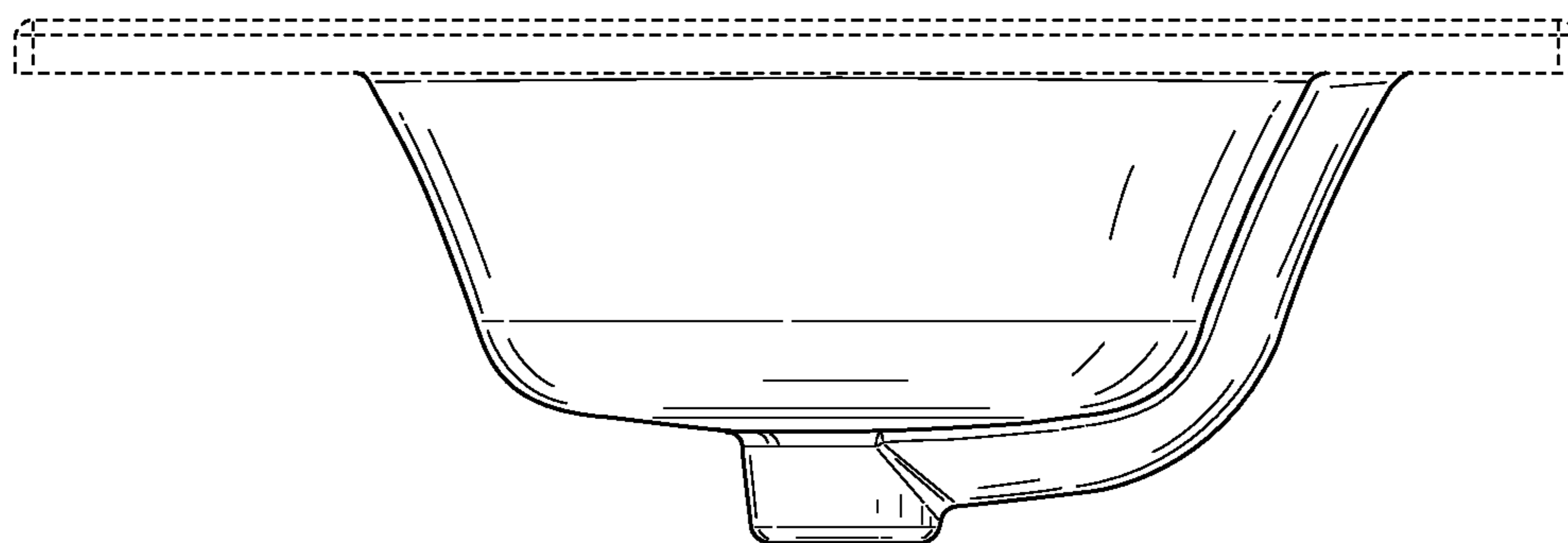


FIG. 4

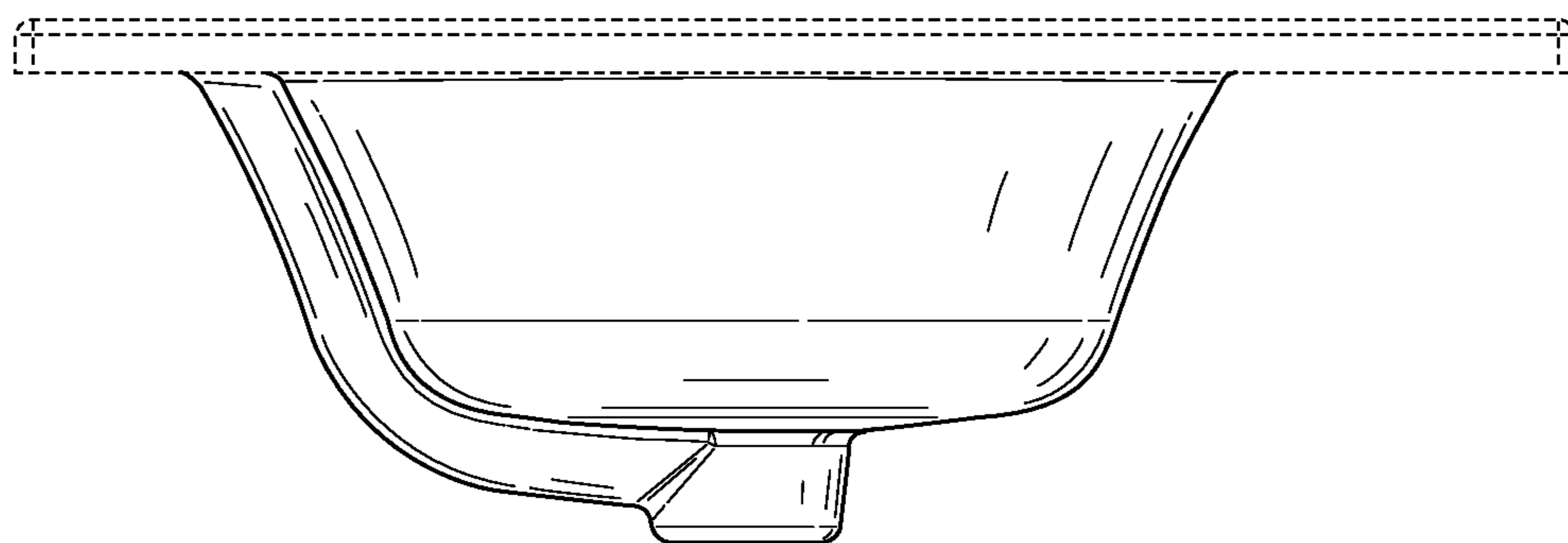


FIG. 5

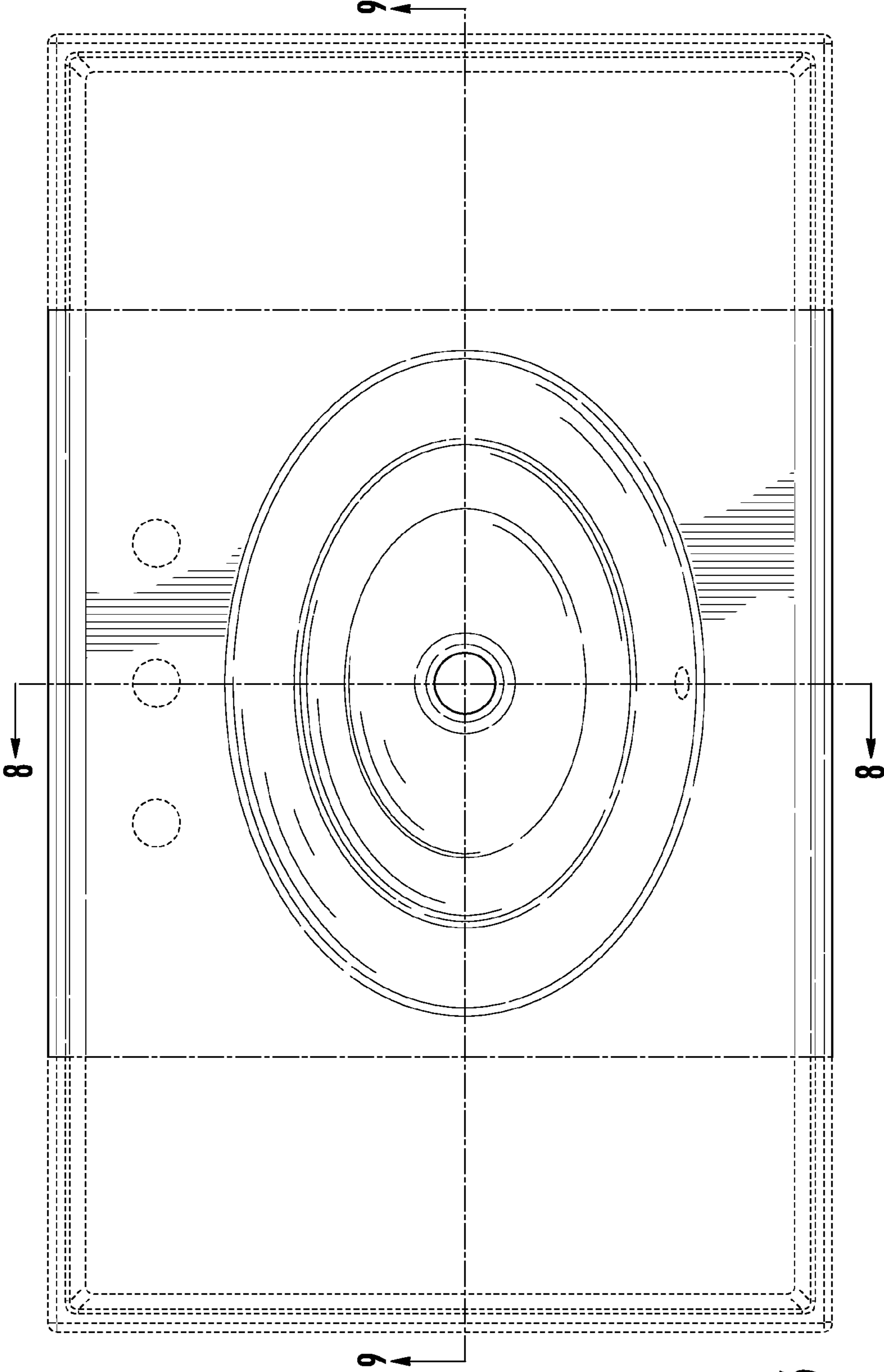


FIG. 6

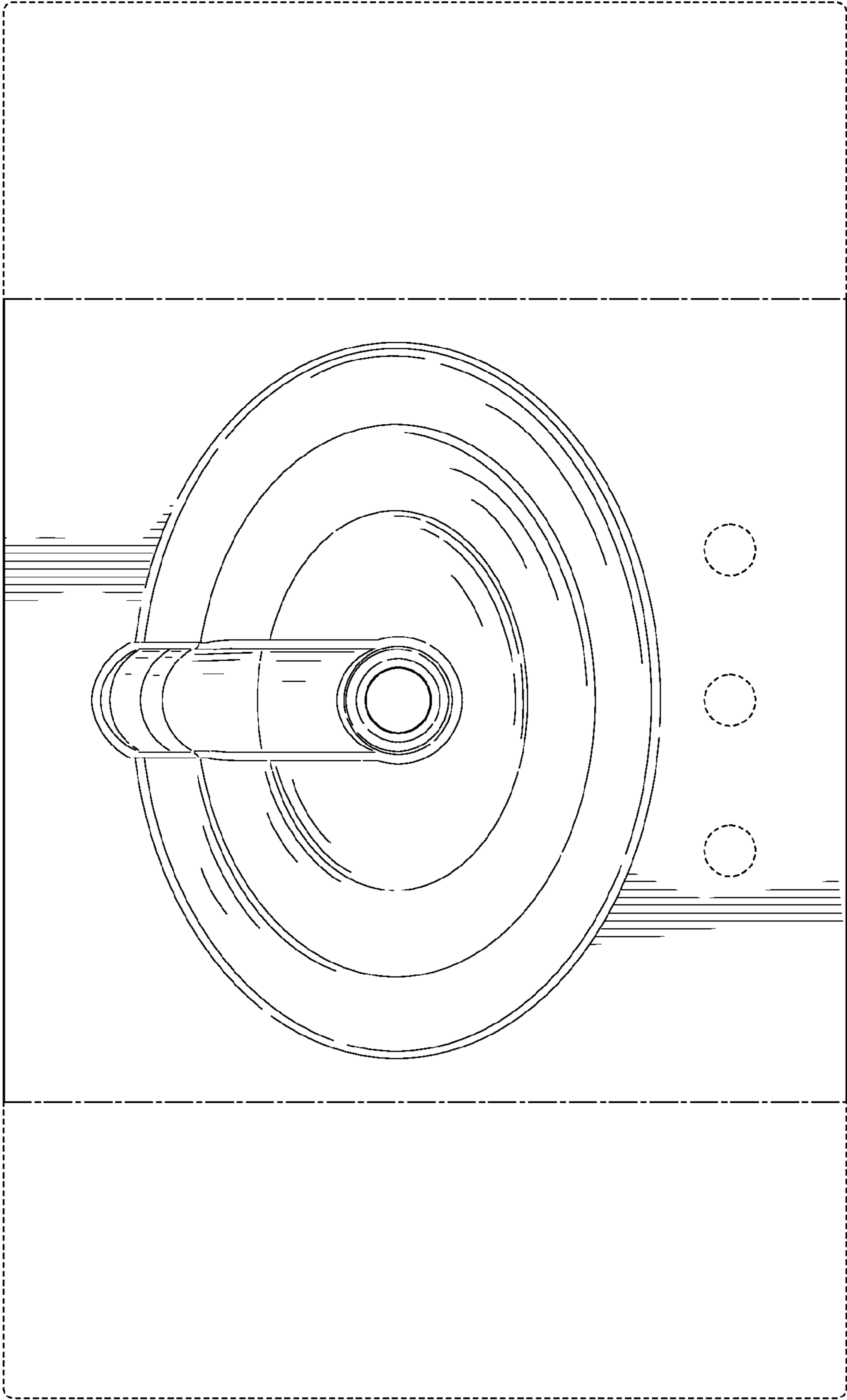


FIG. 7

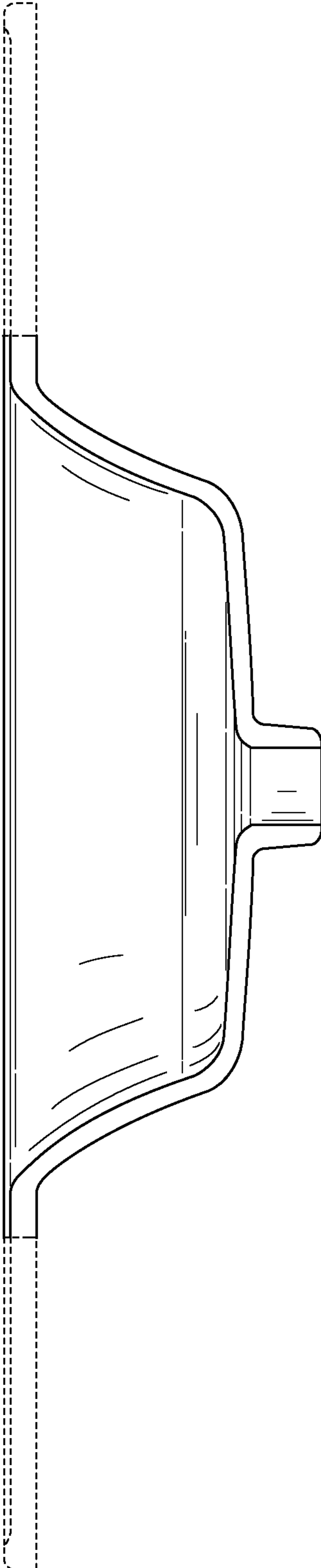


FIG. 8

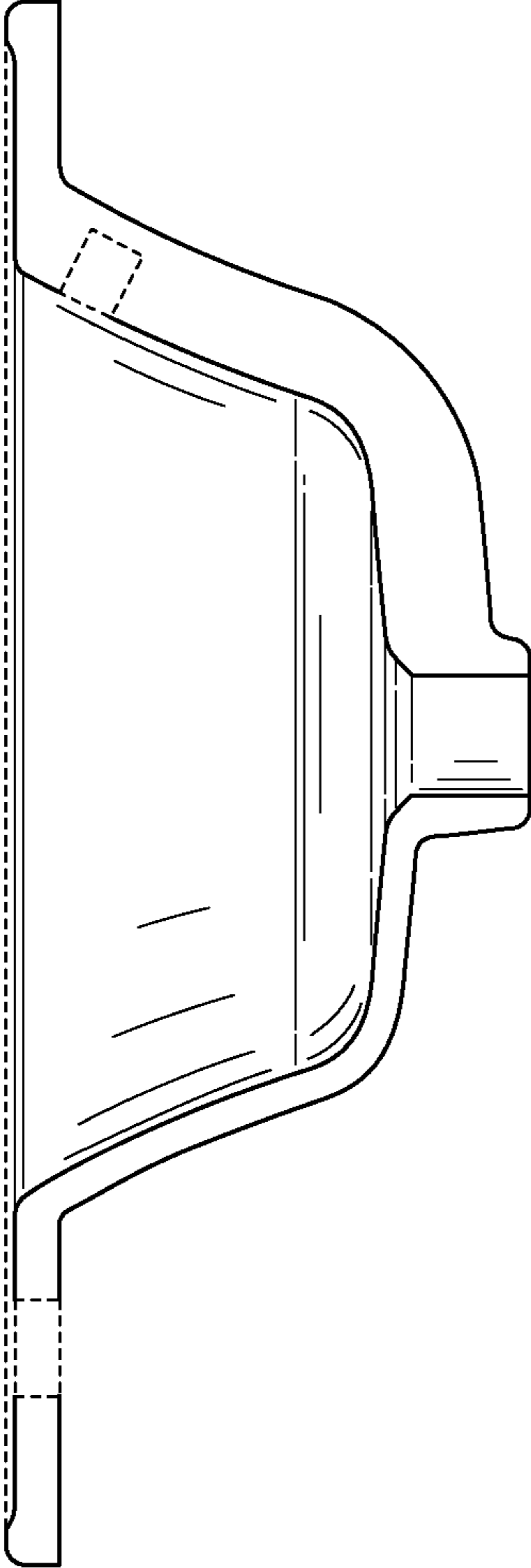


FIG. 9