



US00D743513S

(12) **United States Design Patent**
Yamagishi et al.

(10) **Patent No.:** **US D743,513 S**

(45) **Date of Patent:** **** Nov. 17, 2015**

(54) **SEAL RING**

(71) Applicant: **ASM IP Holding B.V.**, Almere (NL)

(72) Inventors: **Takayuki Yamagishi**, Kashiwazaki (JP);
Naoto Tsuji, Tokyo (JP); **Kazuo Sato**,
Kawasaki (JP)

(73) Assignee: **ASM IP Holding B.V.**, Almere (NL)

(**) Term: **14 Years**

(21) Appl. No.: **29/493,857**

(22) Filed: **Jun. 13, 2014**

(51) **LOC (10) Cl.** **23-01**

(52) **U.S. Cl.**

USPC **D23/269**

(58) **Field of Classification Search**

USPC D23/259–263, 266–269, 233; 251/215,
251/216; 285/369, 372, 373, 417, 133.11,
285/133.3, 133.21, 133.4, 133.5, 133.6;
137/247, 247.41, 247.51

CPC F16L 11/00; F16L 37/252; F16L 41/007;
E03C 1/26; E03C 1/262; E03C 1/28; E03F
5/04; A61B 5/00; A61M 25/09016

See application file for complete search history.

(56) **References Cited**

U.S. PATENT DOCUMENTS

| | | | | | | |
|----------|---|---|---------|----------------|-------|---------|
| D447,223 | S | * | 8/2001 | Mattsson | | D23/269 |
| D515,675 | S | * | 2/2006 | Tremoulet, Jr. | | D23/269 |
| D534,253 | S | * | 12/2006 | Sandman | | D23/269 |
| D631,948 | S | * | 2/2011 | Yoshida | | D23/269 |
| D638,522 | S | * | 5/2011 | Yoshida | | D23/269 |
| D638,523 | S | * | 5/2011 | Yoshida | | D23/269 |
| D655,401 | S | * | 3/2012 | Muramatsu | | D23/269 |

| | | | | | | |
|--------------|----|---|--------|-----------|-------|----------------------|
| D655,797 | S | * | 3/2012 | Muramatsu | | D23/269 |
| D728,757 | S | * | 5/2015 | Graham | | D23/269 |
| 2006/0208429 | A1 | * | 9/2006 | Happel | | F16L 5/06 277/602 |

* cited by examiner

Primary Examiner — Sandra Snapp

(74) *Attorney, Agent, or Firm* — Sand & Sebolt

(57) **CLAIM**

The ornamental design for a seal ring, as shown and described.

DESCRIPTION

FIG. 1 is a top view of a first embodiment of a seal ring in accordance with our design;

FIG. 2 is a front view thereof;

FIG. 3 is a right side view thereof;

FIG. 4 is a left side view thereof;

FIG. 5 is a back view thereof;

FIG. 6 is a bottom view thereof;

FIG. 7 is a partial cross-sectional view taken along line 7-7 of FIG. 1; and

FIG. 8 is a partial cross-sectional view taken along line 8-8 of FIG. 6;

FIG. 9 is a top view of a second embodiment of a seal ring in accordance with our design;

FIG. 10 is a front view thereof;

FIG. 11 is a right side view thereof;

FIG. 12 is a left side view thereof;

FIG. 13 is a back view thereof;

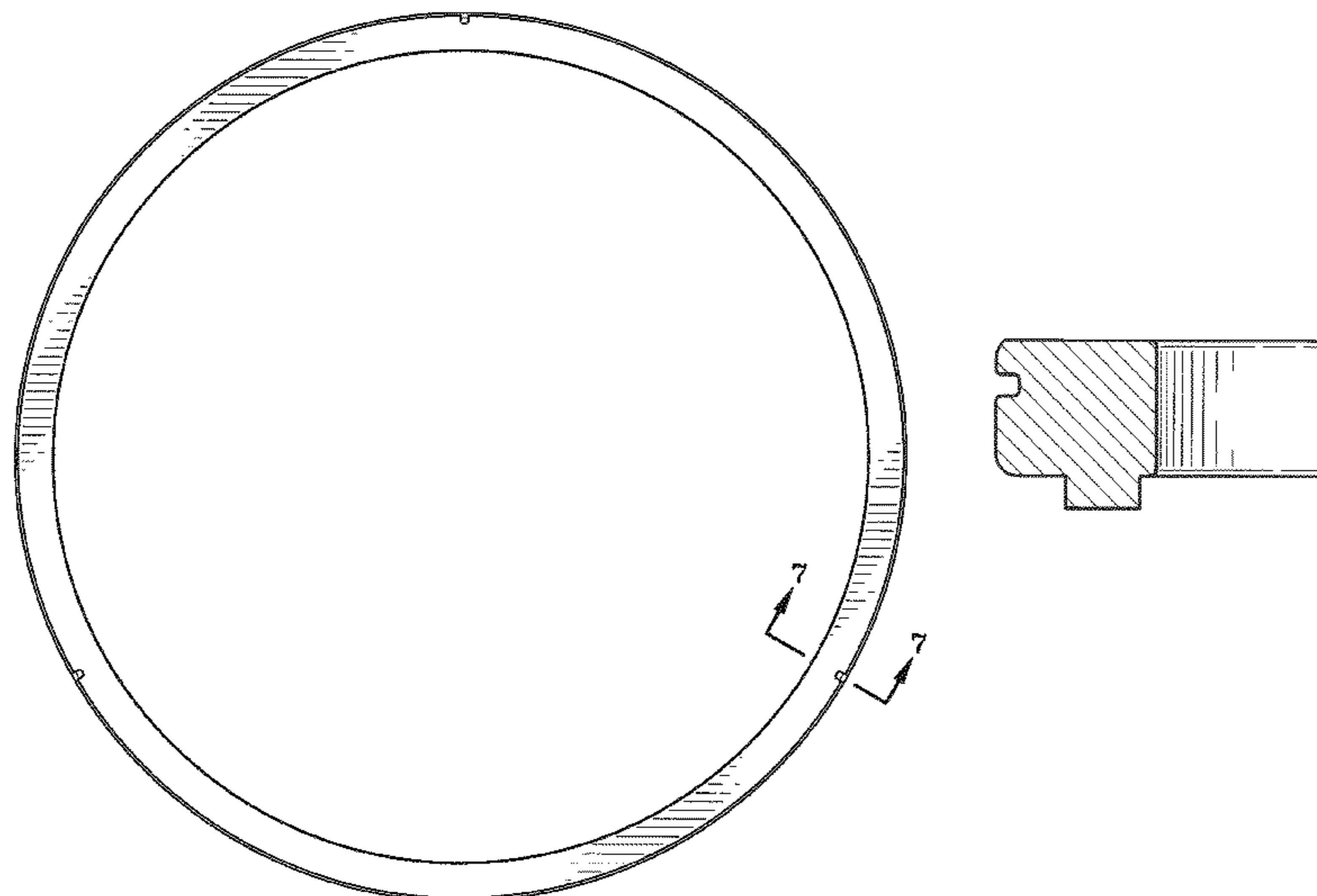
FIG. 14 is a bottom view thereof;

FIG. 15 is a partial cross-sectional view taken along line 15-15 of FIG. 9; and,

FIG. 16 is a partial cross-sectional view taken along line 16-16 of FIG. 14.

The broken lines shown in the drawings are for illustrative purposes only and form no part of the claimed design.

1 Claim, 6 Drawing Sheets



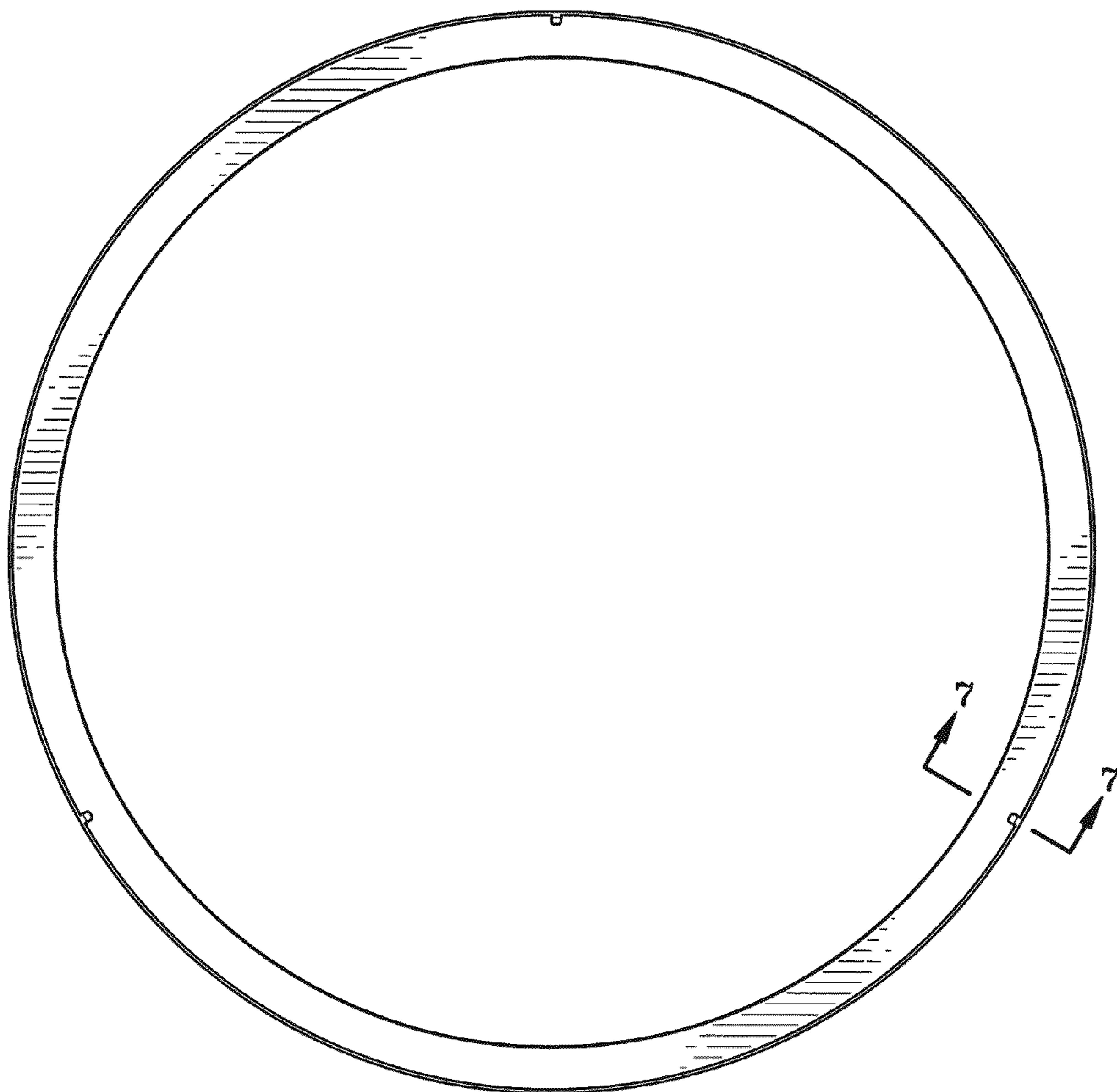


FIG-1



FIG-2



FIG-3

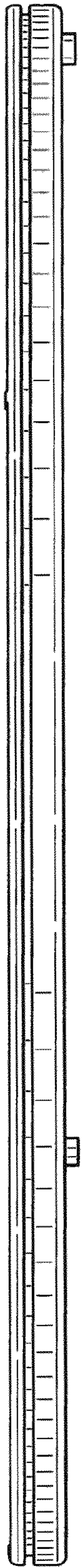


FIG-4



FIG-5

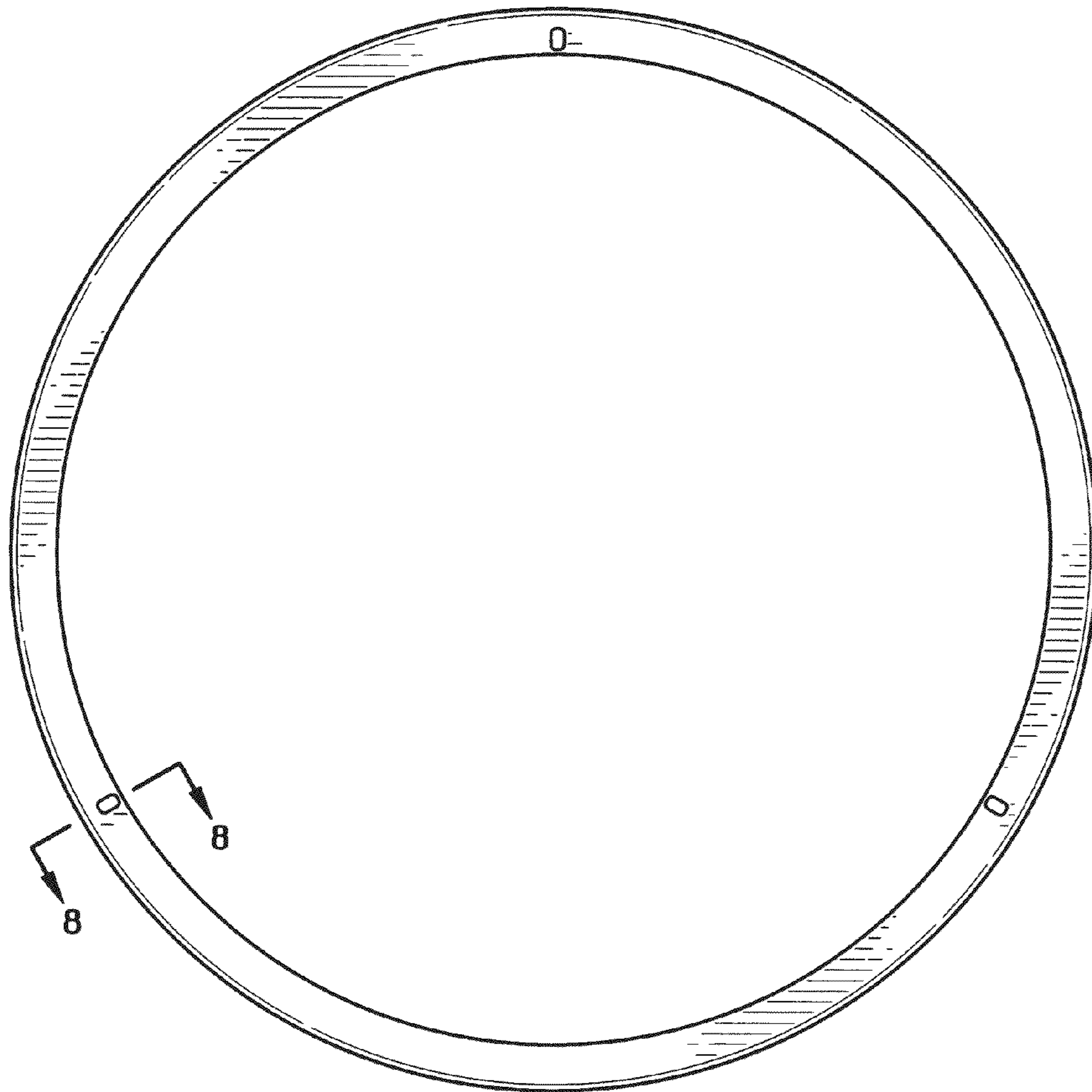


FIG-6

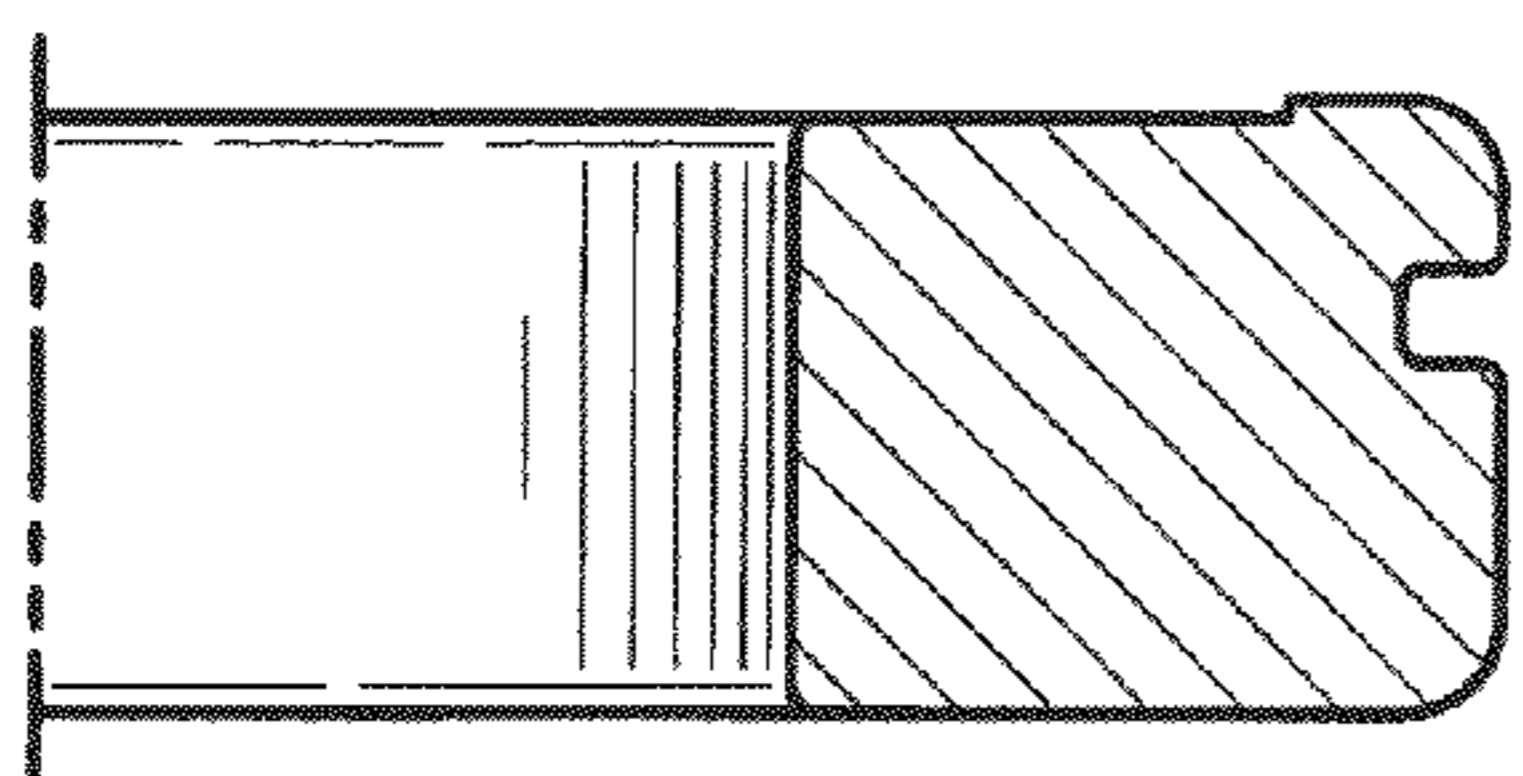


FIG-7

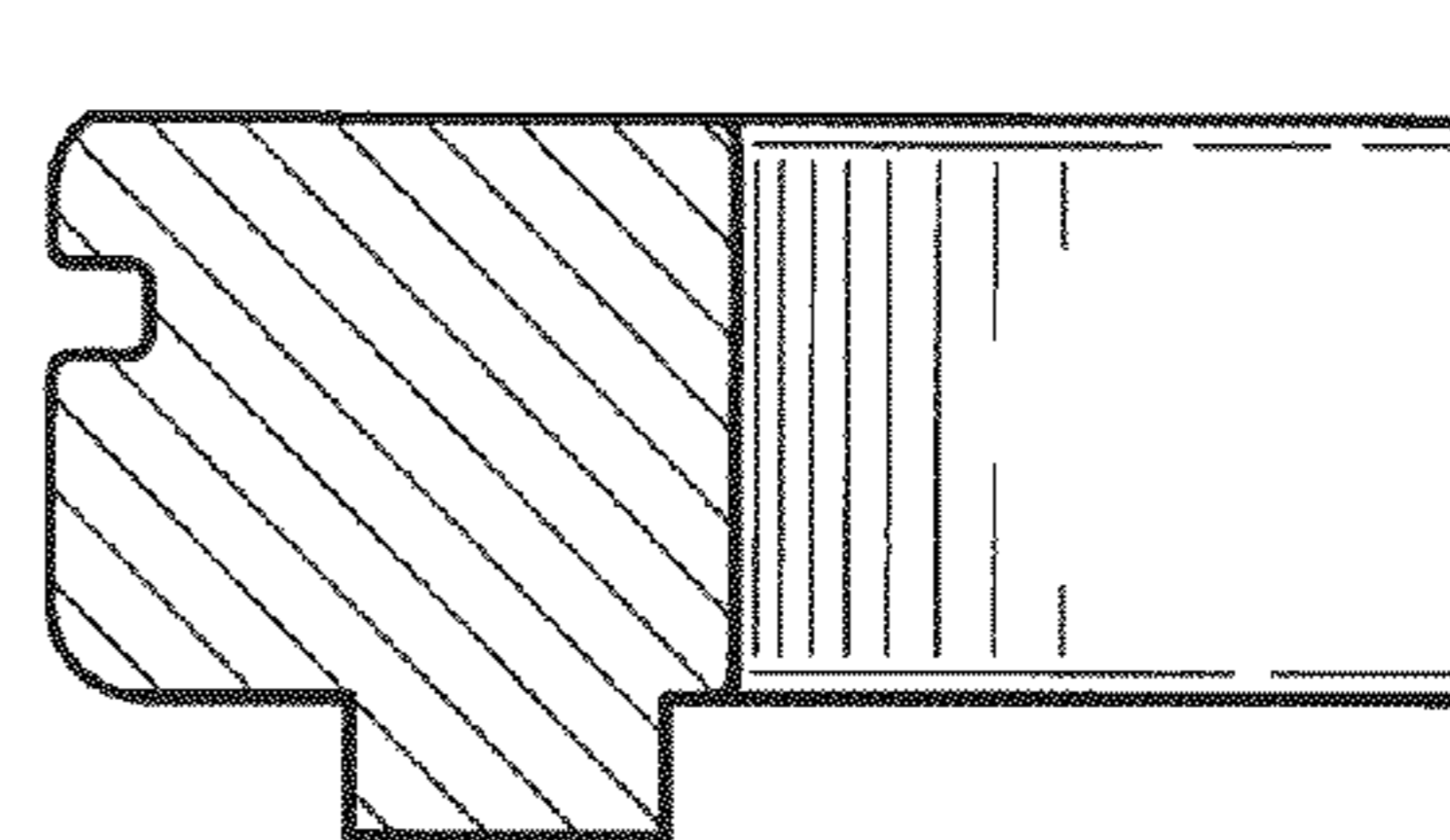


FIG-8

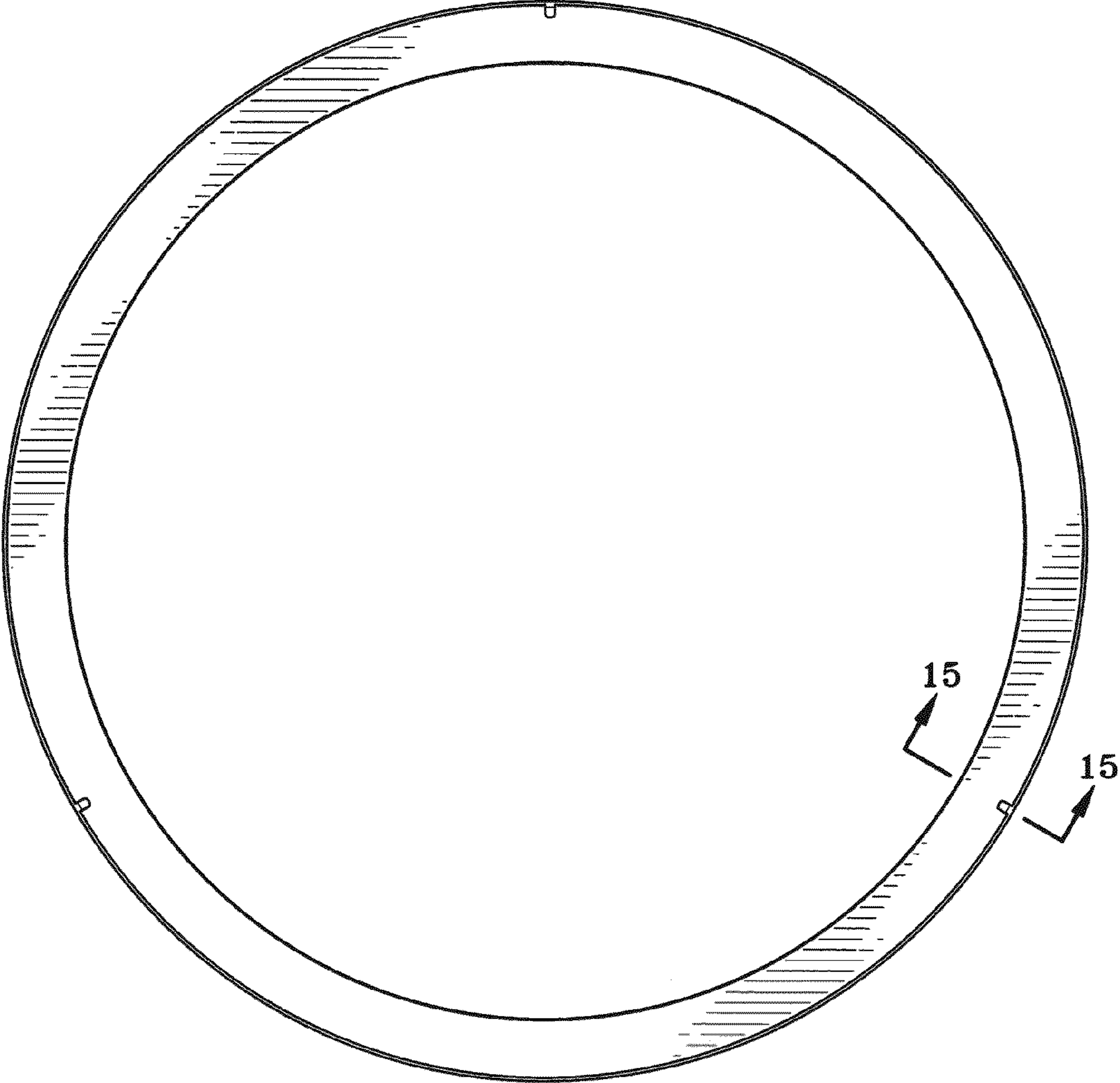


FIG-9



FIG-10

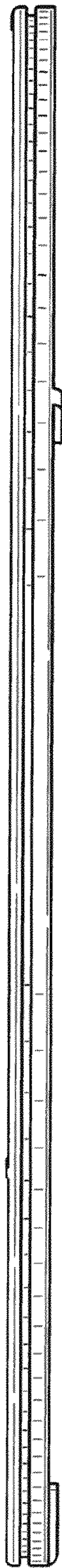


FIG-11



FIG-12



FIG-13

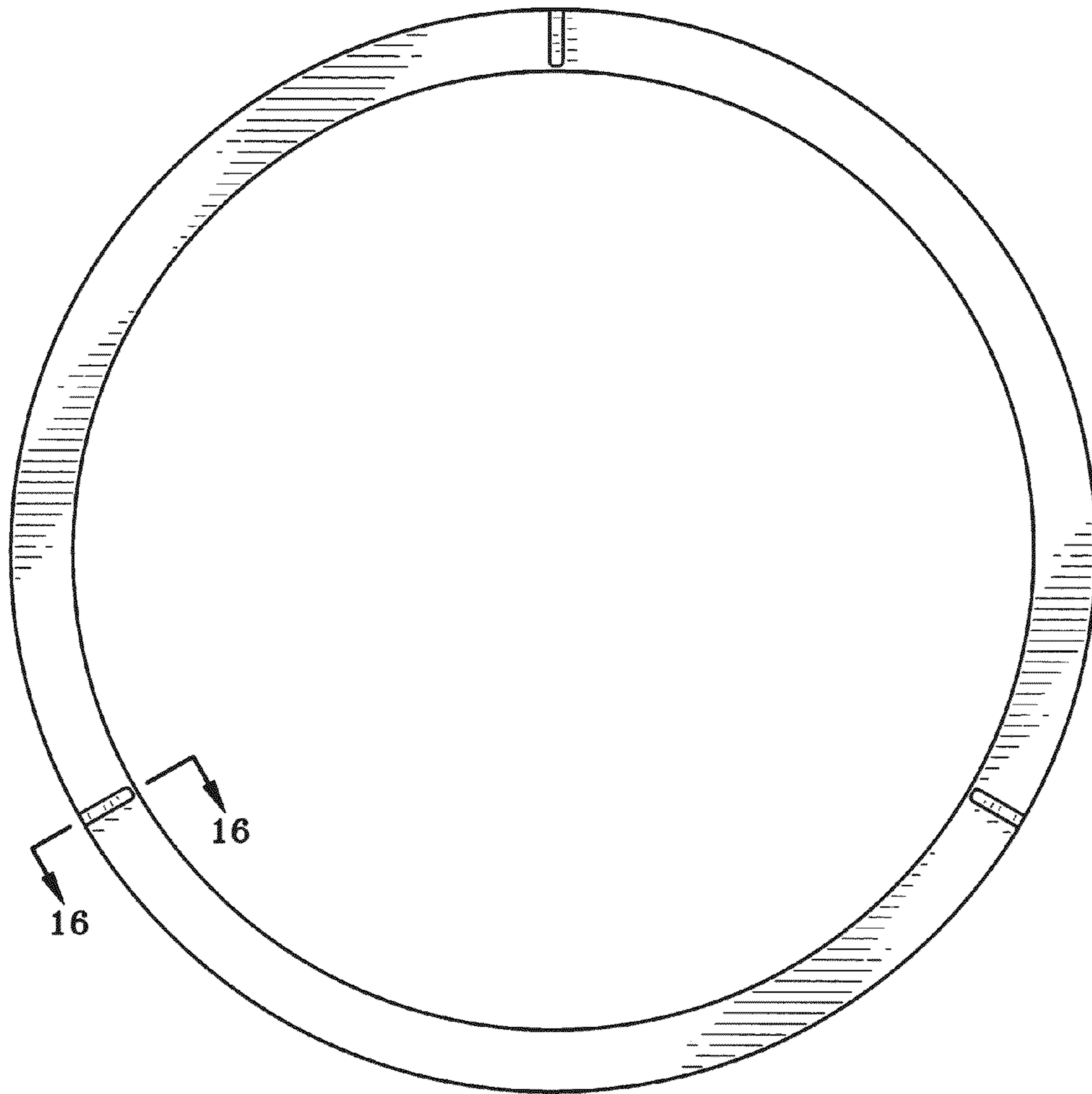


FIG-14

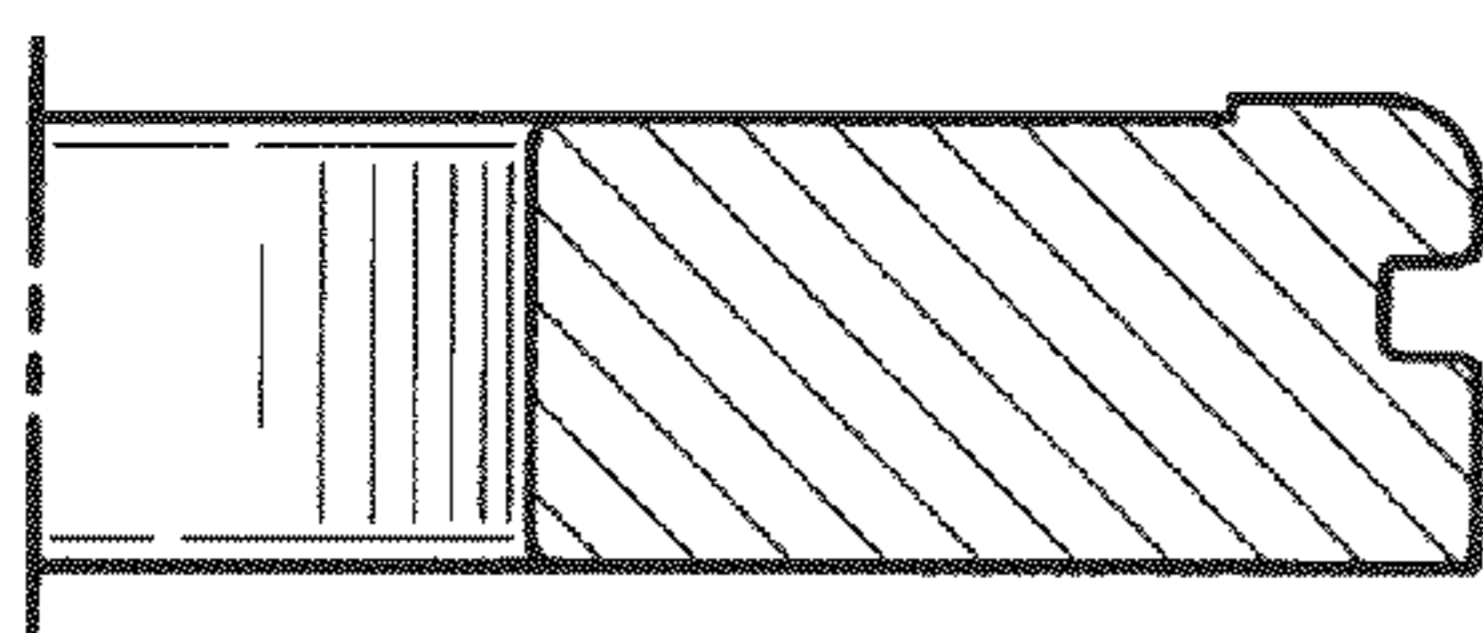


FIG-15

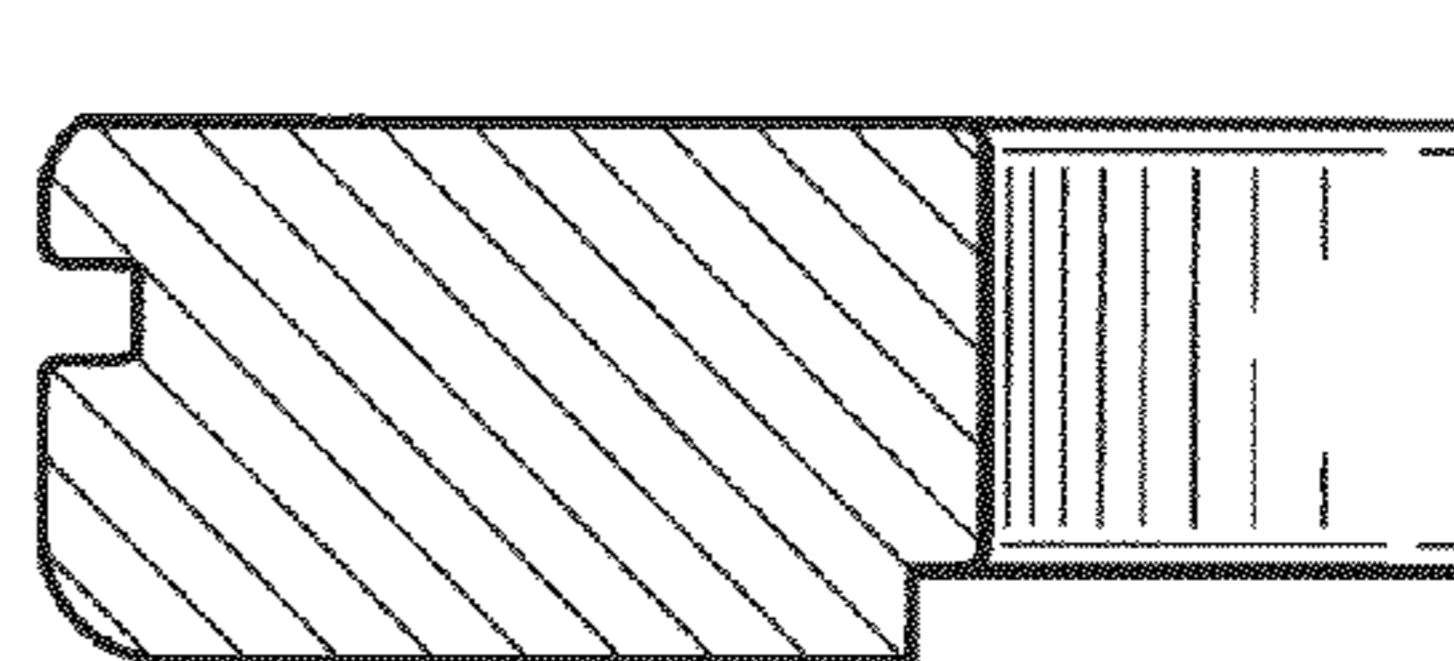


FIG-16