



US00D743511S

(12) **United States Design Patent**  
**Bednarz et al.**

(10) **Patent No.:** **US D743,511 S**

(45) **Date of Patent:** **\*\* Nov. 17, 2015**

(54) **PIPE FITTING**

(71) Applicant: **Tyco Fire Products LP**, Lansdale, PA  
(US)

(72) Inventors: **Anthony Gary Bednarz**, Dighton, MA  
(US); **Robert R. Smith**, Villa Rica, GA  
(US); **Larry E. Hall**, Pell City, AL (US);  
**Donald Eugene Griggs, III**, Oxford, AL  
(US)

(73) Assignee: **Tyco Fire Products LP**, Lansdale, PA  
(US)

(\*\*) Term: **14 Years**

(21) Appl. No.: **29/522,234**

(22) Filed: **Mar. 27, 2015**

D348,723 S *	7/1994	Carroll	.....	D23/263
D354,801 S *	1/1995	Grant et al.	.....	D23/263
D389,562 S *	1/1998	Picton	.....	D23/263
D402,013 S *	12/1998	Saffrey	.....	D23/263
D431,634 S *	10/2000	Mantz	.....	D23/263
D441,435 S *	5/2001	Patteson et al.	.....	D23/262
D453,817 S *	2/2002	Patteson et al.	.....	D23/262
D454,940 S *	3/2002	Hoenig	.....	D23/259
D480,786 S *	10/2003	Wilk et al.	.....	D23/263
D481,109 S *	10/2003	Dole et al.	.....	D23/263
D481,110 S *	10/2003	Snyder et al.	.....	D23/263
D481,447 S *	10/2003	Dole et al.	.....	D23/263
D482,103 S *	11/2003	Snyder et al.	.....	D23/263
D516,686 S *	3/2006	Wilk et al.	.....	D23/262
D517,176 S *	3/2006	Wilk et al.	.....	D23/262
D597,182 S *	7/2009	Choi	.....	D23/263
D599,446 S *	9/2009	Price et al.	.....	D23/262
D615,631 S *	5/2010	Price et al.	.....	D23/263
D630,305 S *	1/2011	Adams et al.	.....	D23/259
D634,818 S *	3/2011	Leroyer	.....	D23/263
D634,819 S *	3/2011	Leroyer	.....	D23/263
D652,121 S *	1/2012	Bonhag et al.	.....	D23/263

(Continued)

**Related U.S. Application Data**

(62) Division of application No. 29/434,498, filed on Oct. 12, 2012, now Pat. No. Des. 727,472.

(51) **LOC (10) Cl.** ..... **23-01**

(52) **U.S. Cl.**  
USPC ..... **D23/263**

(58) **Field of Classification Search**  
USPC ..... D23/259, 262, 263, 266  
CPC ..... Y10T 29/49826; Y10T 428/139;  
F16L 9/02; F16L 9/14  
See application file for complete search history.

(56) **References Cited**

**U.S. PATENT DOCUMENTS**

D52,954 S *	2/1919	Hubbard et al.	.....	D13/155
D53,689 S *	8/1919	Pickop et al.	.....	D23/263
D132,938 S *	6/1942	Corley et al.	.....	D23/263
D135,633 S *	5/1943	Stark et al.	.....	D23/263
D297,043 S *	8/1988	Vander Wilt	.....	D23/263
D297,678 S *	9/1988	Sisk	.....	D34/28
D343,889 S *	2/1994	Stonecypher	.....	D23/263

*Primary Examiner* — Cathron Brooks

*Assistant Examiner* — Daniel J Domino

(74) *Attorney, Agent, or Firm* — Perkins Coie LLP

(57) **CLAIM**

The ornamental design for the pipe fitting, as shown and described.

**DESCRIPTION**

FIG. 1 is a top perspective view of a pipe fitting showing our new design;

FIG. 2 is a bottom perspective view thereof;

FIG. 3 is a bottom view thereof;

FIG. 4 is a top view thereof;

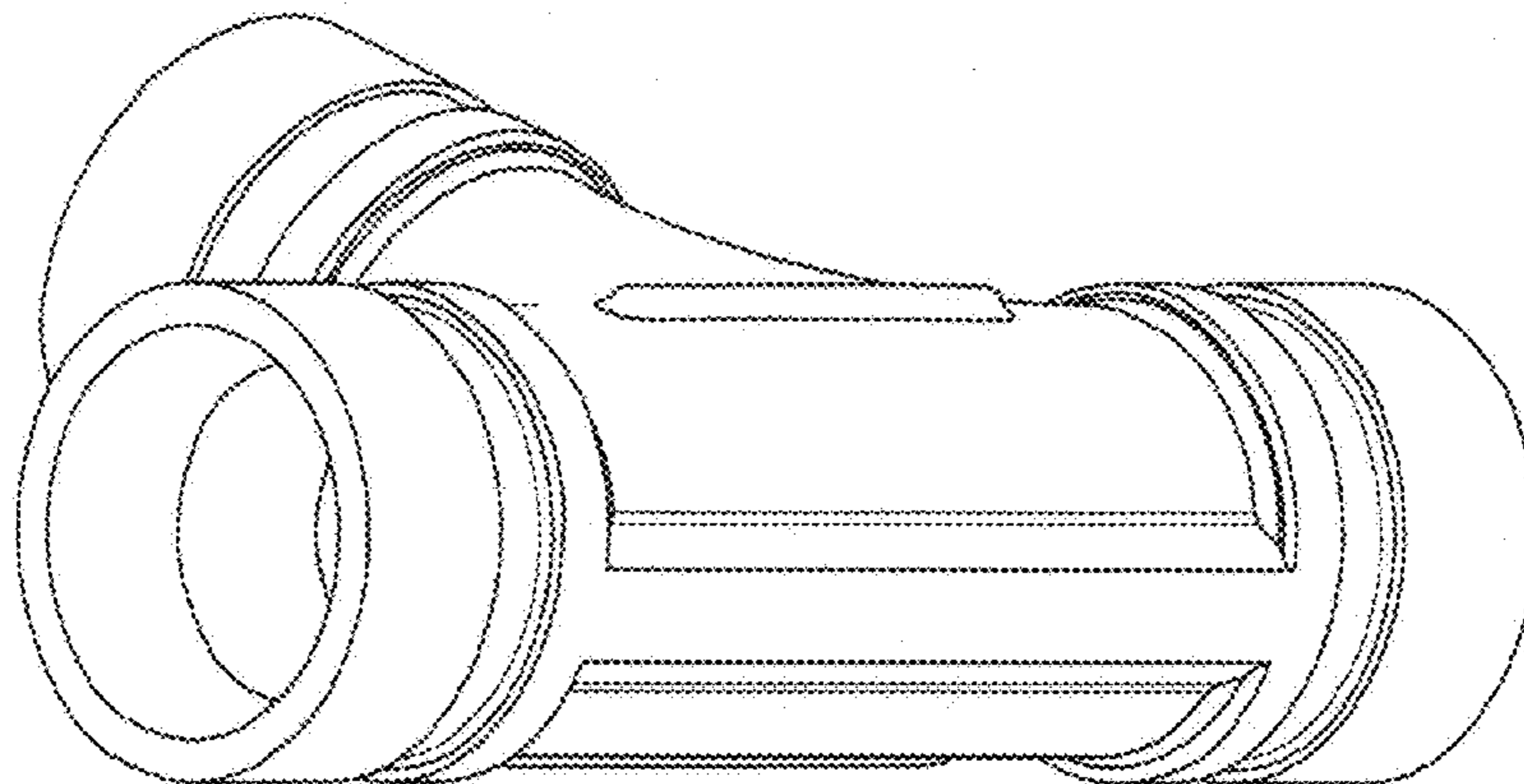
FIG. 5 is an end view thereof;

FIG. 6 is the opposite end view thereof;

FIG. 7 is a side view thereof; and,

FIG. 8 is the opposite side view thereof.

**1 Claim, 4 Drawing Sheets**



# US D743,511 S

Page 2

---

(56)

## References Cited

### U.S. PATENT DOCUMENTS

D656,225 S \* 3/2012 Dole et al. .... D23/263  
D676,942 S \* 2/2013 Kluss et al. .... D23/262  
D722,140 S \* 2/2015 Sisk ..... D23/262

D722,141 S \* 2/2015 Luke ..... D23/263  
D727,472 S \* 4/2015 Bednarz et al. .... D23/263  
D731,627 S \* 6/2015 Guest ..... D23/262  
D731,628 S \* 6/2015 Guest ..... D23/262

\* cited by examiner

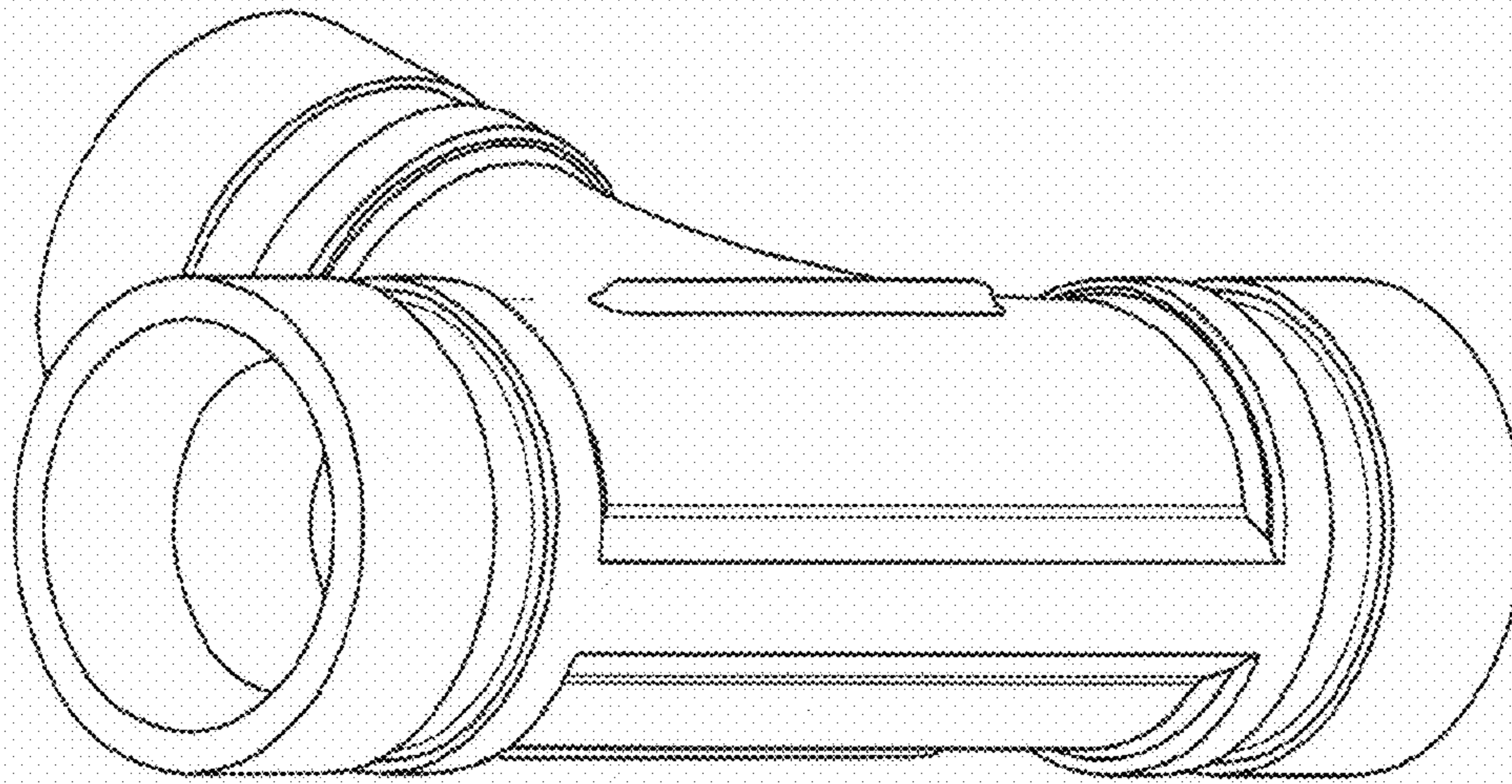


Fig. 1

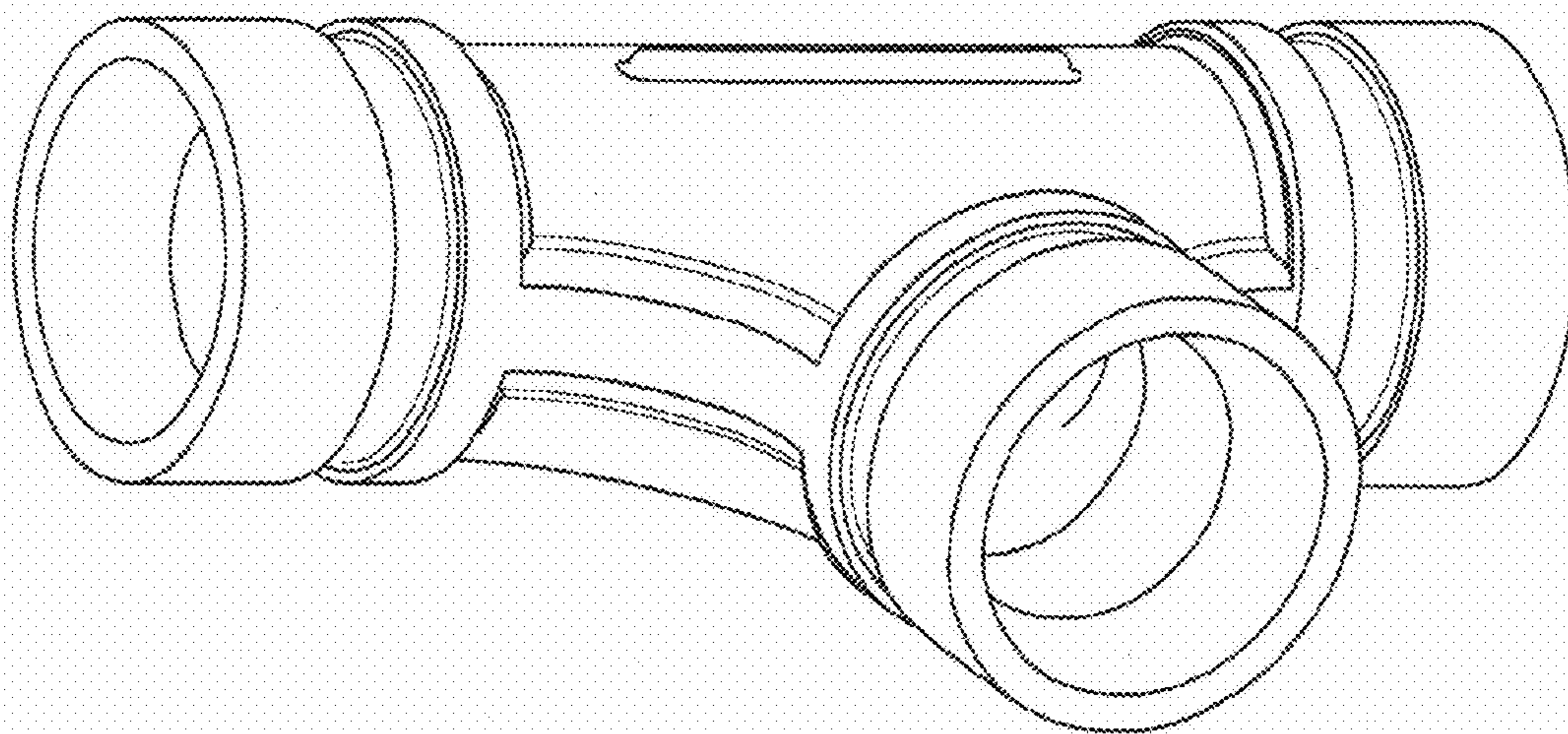


Fig. 2

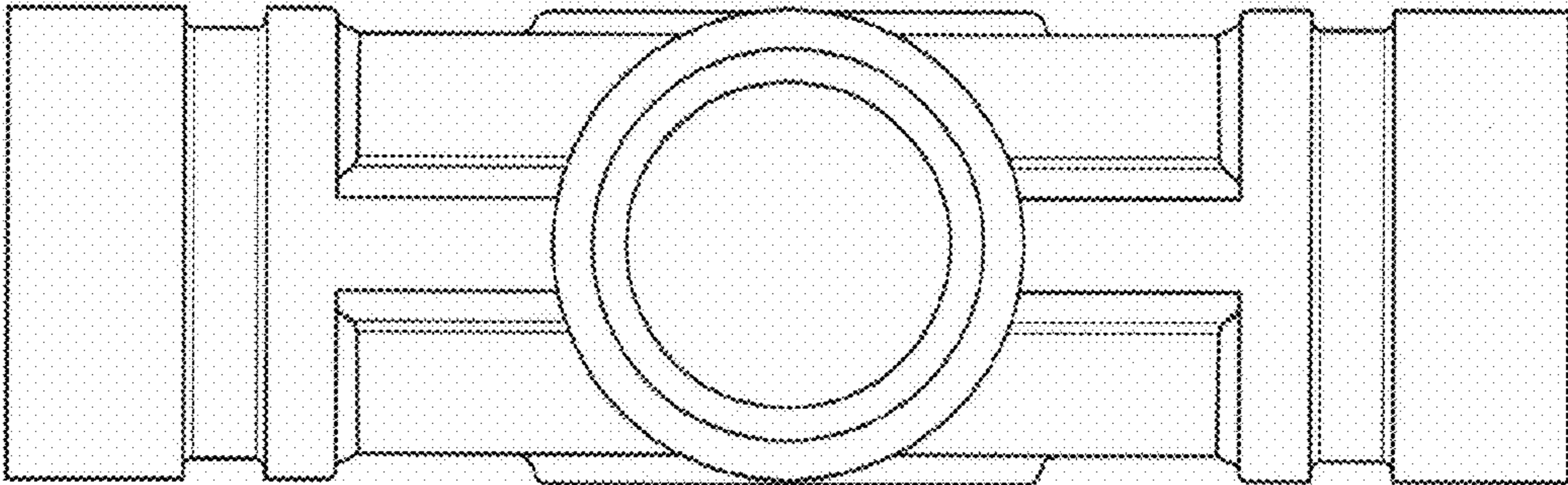


Fig. 3

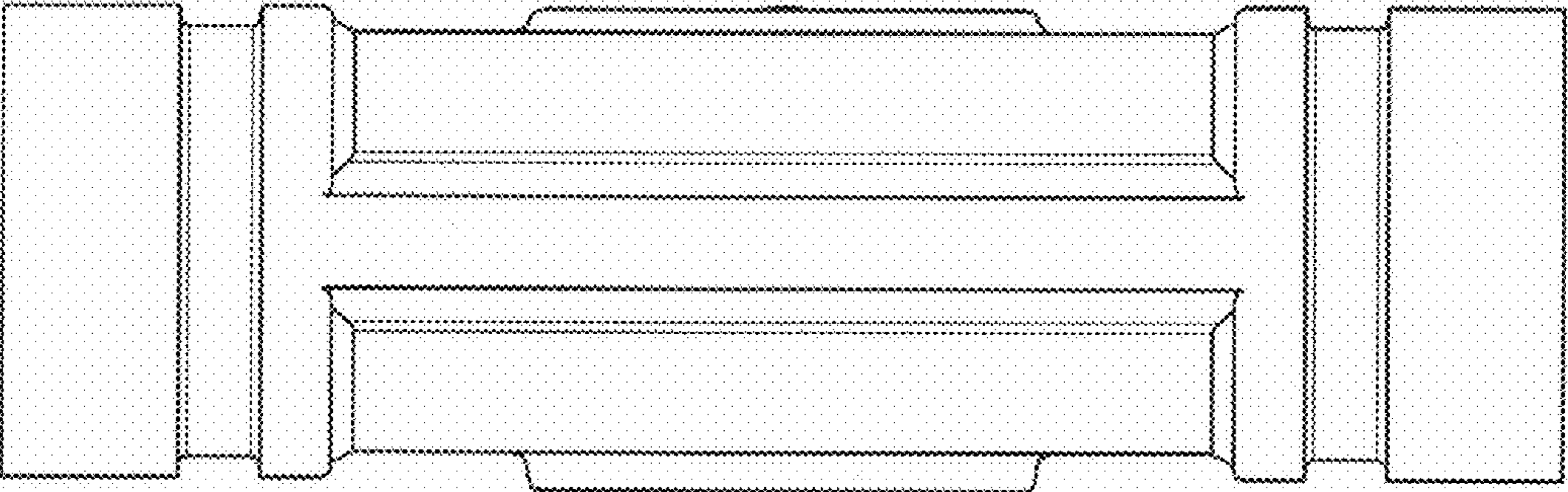


Fig. 4

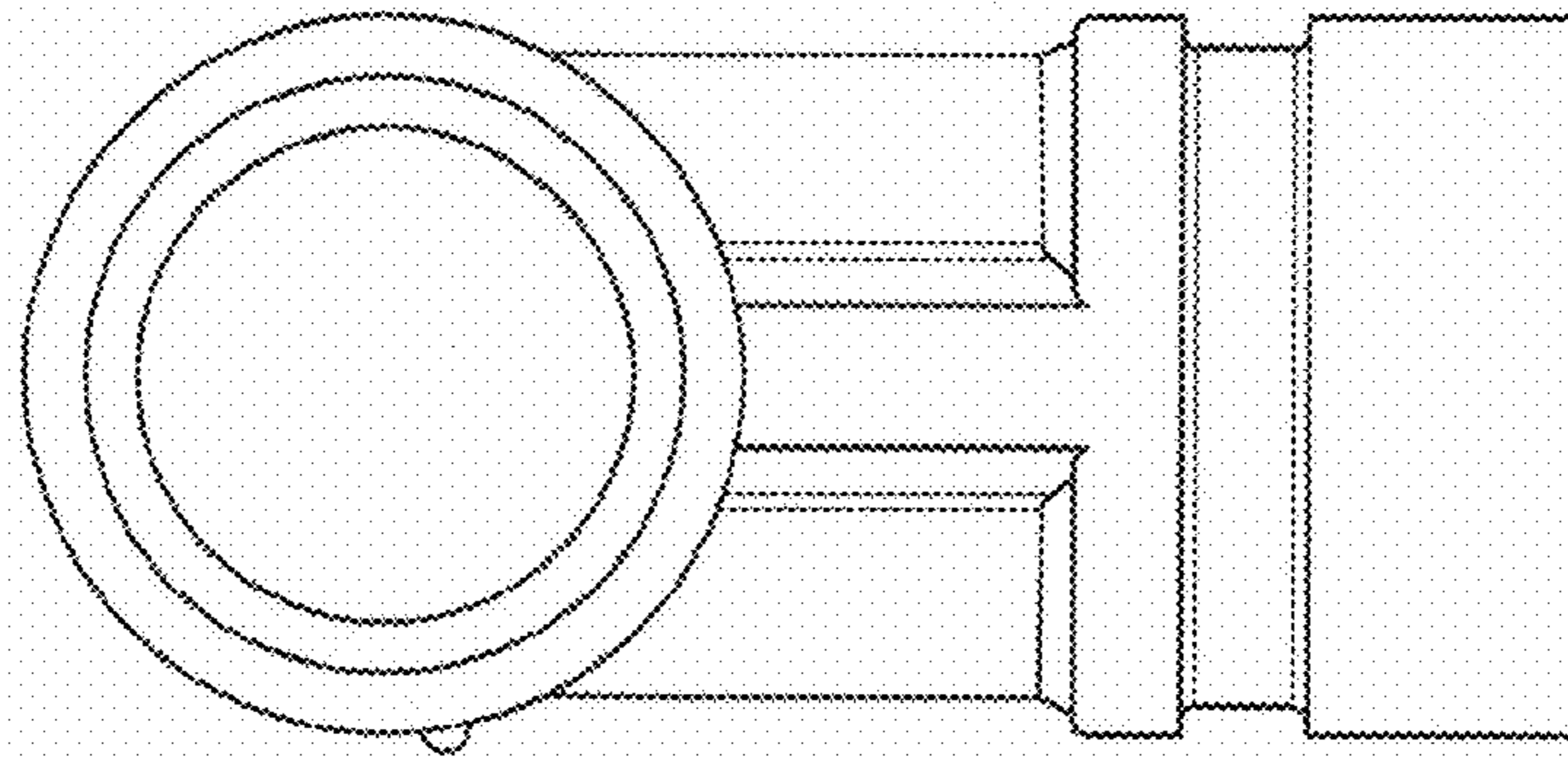


Fig. 5

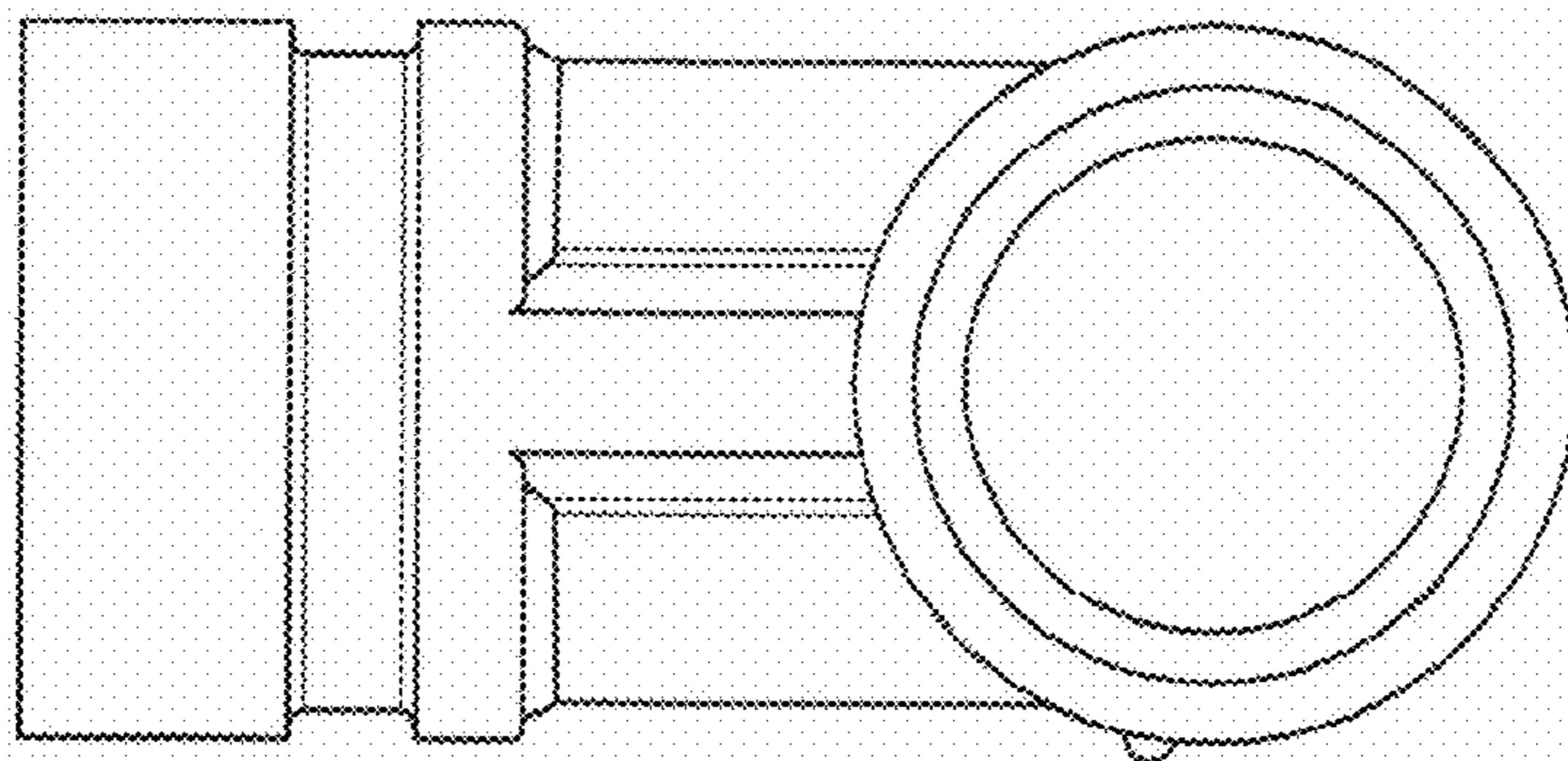


Fig. 6

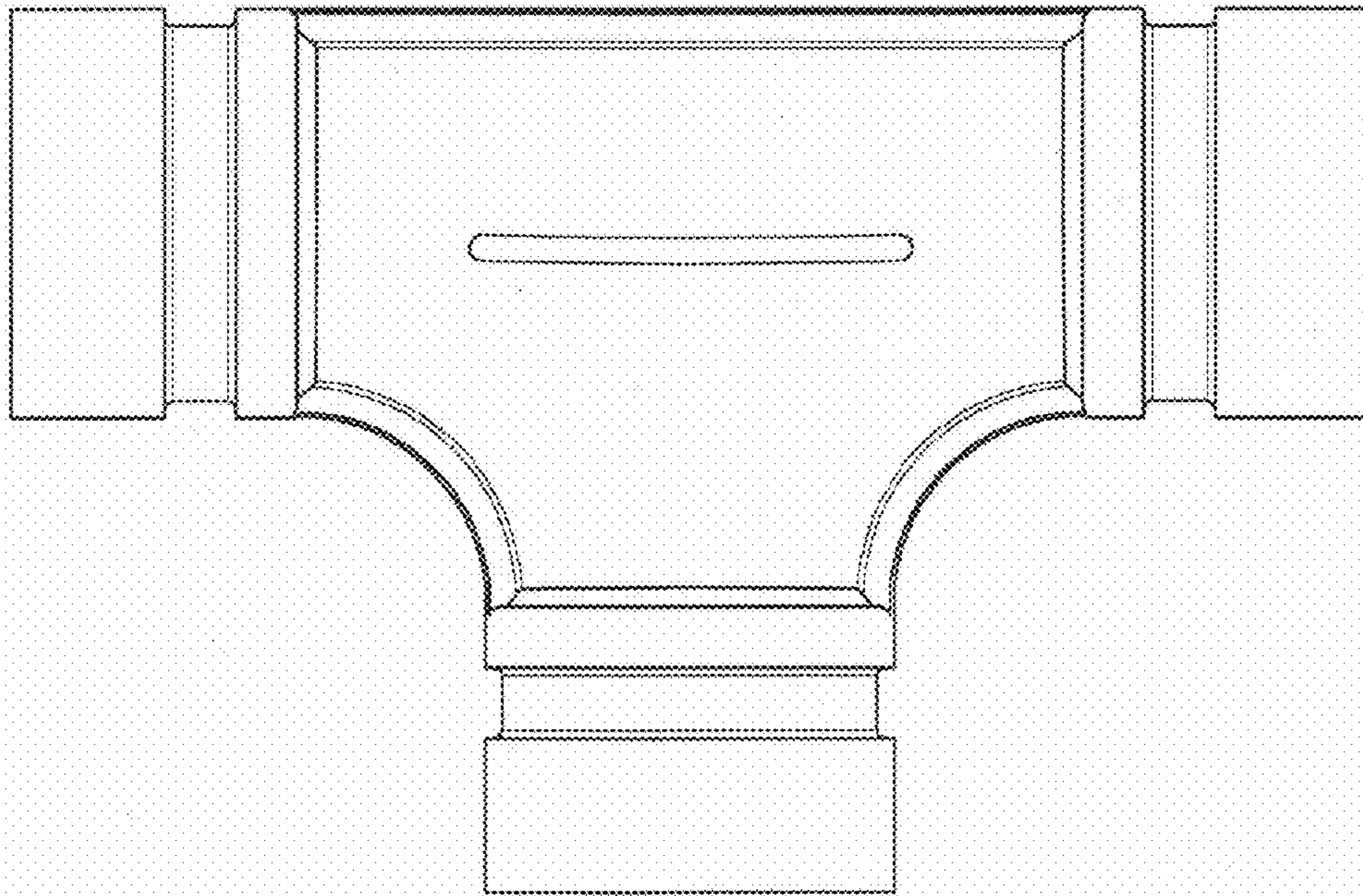


Fig. 7

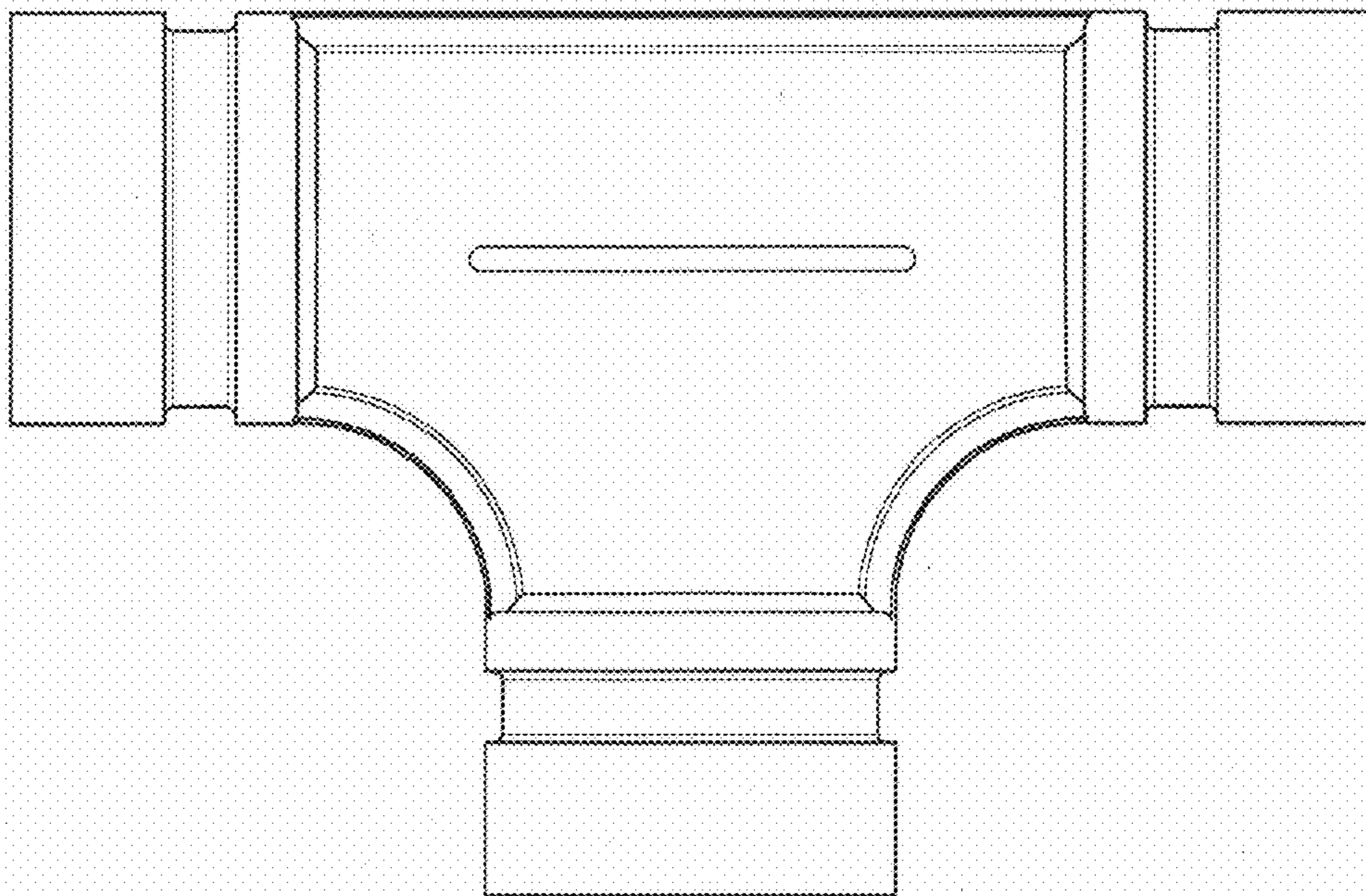


Fig. 8