



US00D743506S

(12) **United States Design Patent**
Spinelli et al.

(10) **Patent No.:** **US D743,506 S**

(45) **Date of Patent:** **** Nov. 17, 2015**

(54) **PUSH BUTTON FOR TOILETS AND/OR URINALS**

(71) Applicant: **Geberit International AG**, Jona (CH)

(72) Inventors: **Nico Spinelli**, Zurich (CH); **Tom Staubli**, Zurich (CH); **Daniel Iranyi**, Steinhausen (CH); **Arno Lenzi**, Zurich (CH)

(73) Assignee: **GEBERIT INTERNATIONAL AG**, Jona (CH)

(**) Term: **14 Years**

(21) Appl. No.: **29/486,494**

(22) Filed: **Mar. 31, 2014**

(30) **Foreign Application Priority Data**

Oct. 7, 2013 (WO) DEN/766344101

(51) **LOC (10) Cl.** **23-01**

(52) **U.S. Cl.**
USPC **D23/250**

(58) **Field of Classification Search**
USPC D23/295, 301, 303, 309, 313, 250–254
CPC E03D 1/02; E03D 1/14; E03D 1/142
See application file for complete search history.

(56) **References Cited**

U.S. PATENT DOCUMENTS

5,855,027 A * 1/1999 Macedo 4/405
D465,014 S * 10/2002 Witzig D23/309

6,785,913 B2 * 9/2004 Ho 4/325
D648,831 S * 11/2011 Bradford D23/309
8,087,107 B2 * 1/2012 Le et al. 4/415
8,104,104 B2 * 1/2012 Le et al. 4/410
8,424,126 B2 * 4/2013 Nguyen 4/362
D722,371 S * 2/2015 Behling D23/309
D723,673 S * 3/2015 Behling D23/309
2008/0189842 A1 * 8/2008 Spogardh 4/224

* cited by examiner

Primary Examiner — Robert Delehanty

(74) *Attorney, Agent, or Firm* — Sughrue Mion, PLLC

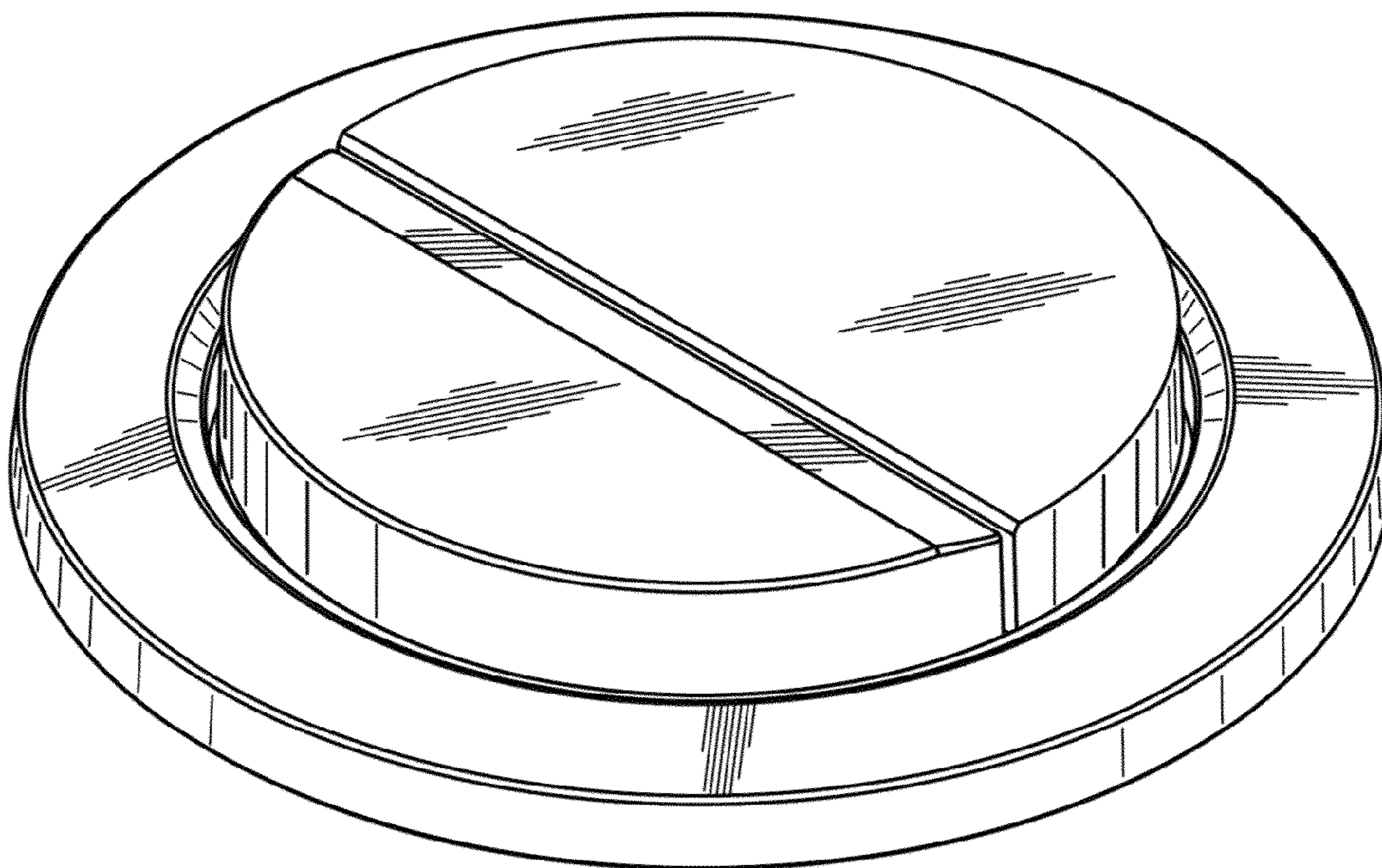
(57) **CLAIM**

The ornamental design for a push button for toilets and/or urinals, as shown and described.

DESCRIPTION

FIG. 1 is a perspective view of a first embodiment of my invention;
FIG. 2 is a top view thereof;
FIG. 3 is a front elevation view thereof;
FIG. 4 is a rear elevation view thereof;
FIG. 5 is a right side view thereof; and
FIG. 6 is a left side view thereof;
FIG. 7 is a perspective view of a second embodiment of my invention;
FIG. 8 is a top view thereof;
FIG. 9 is a front elevation view thereof;
FIG. 10 is a rear elevation view thereof;
FIG. 11 is a right side view thereof; and
FIG. 12 is a left side view thereof.

1 Claim, 12 Drawing Sheets



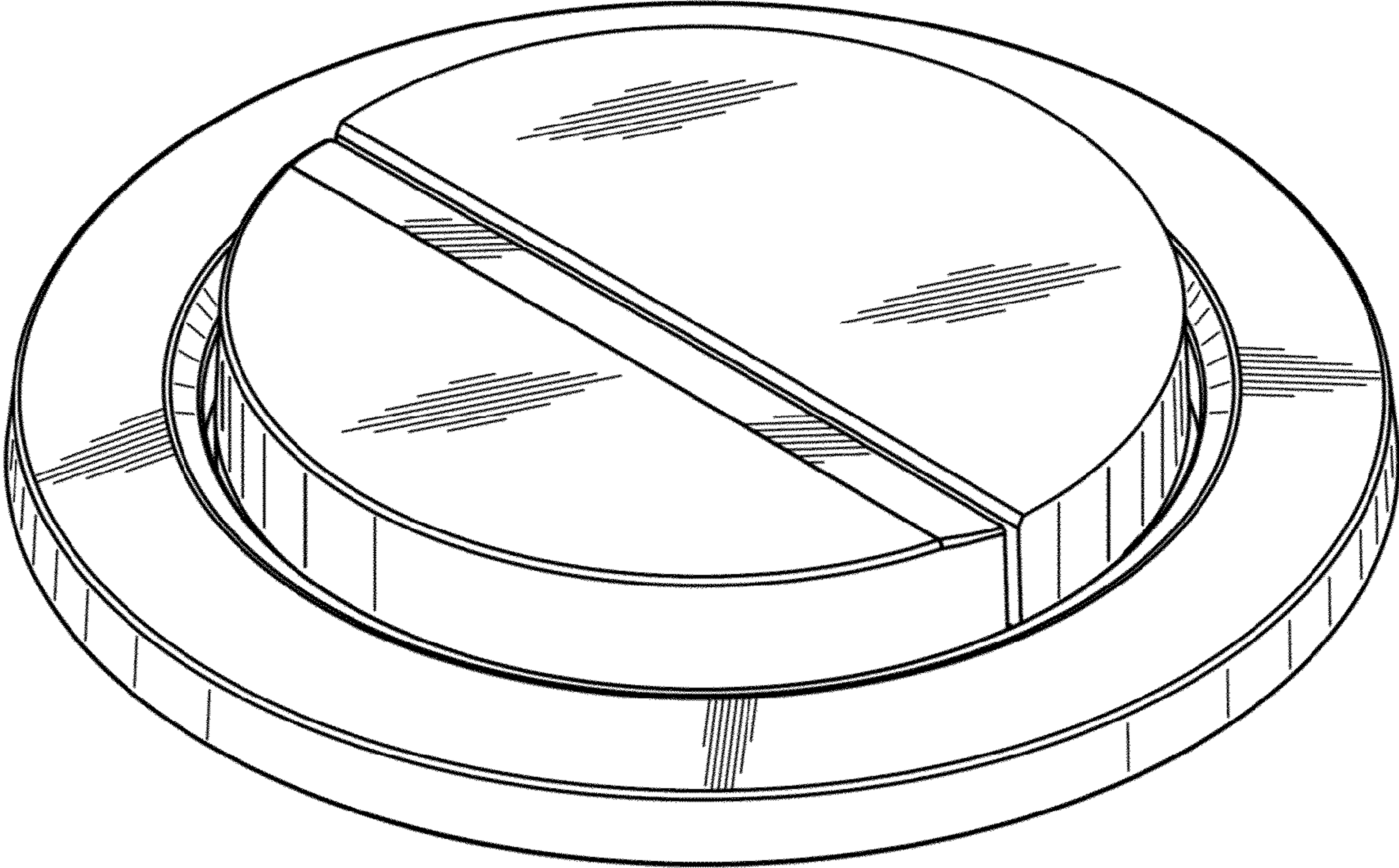


FIG. 1

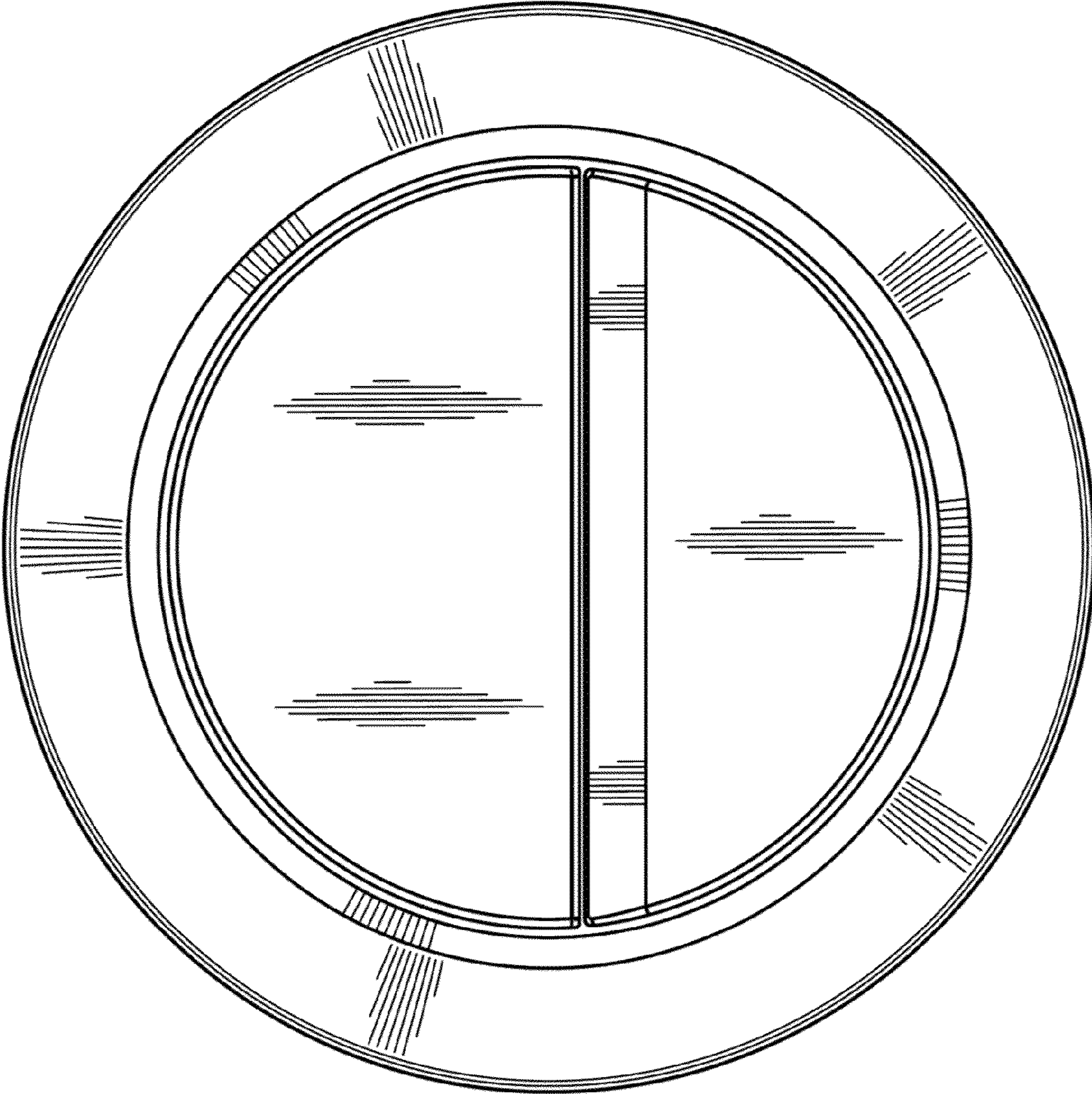


FIG. 2

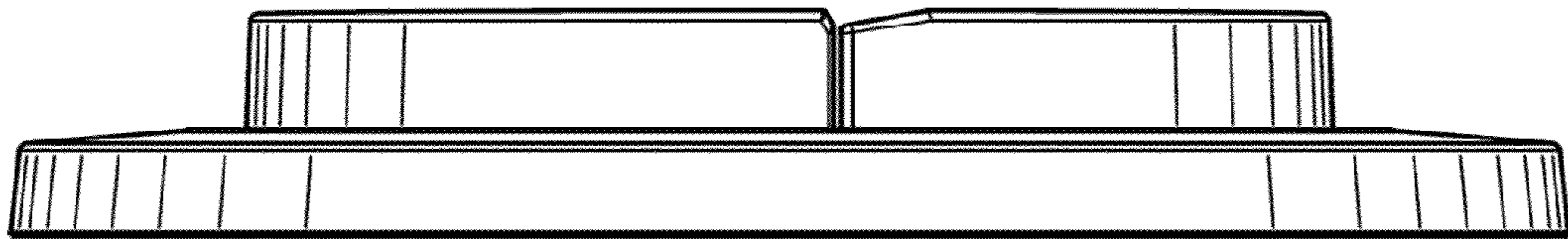


Fig. 3

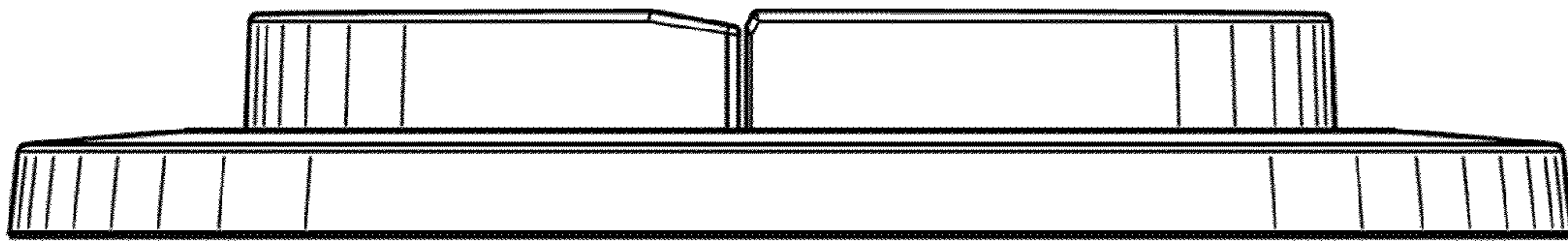


Fig. 4

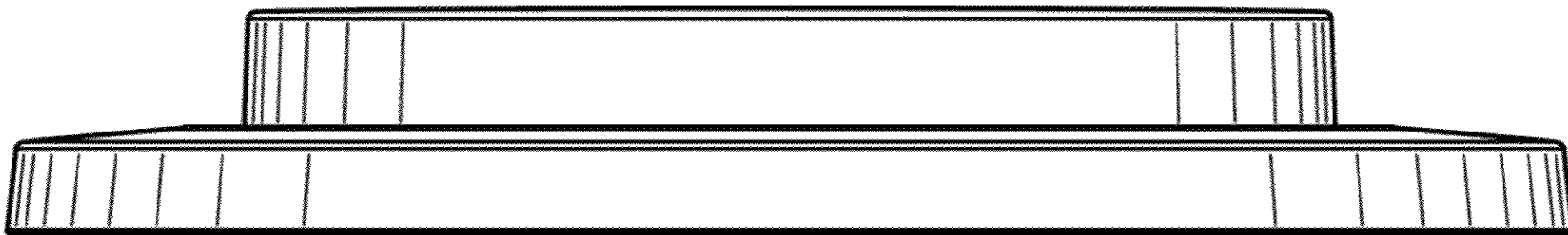


Fig. 5

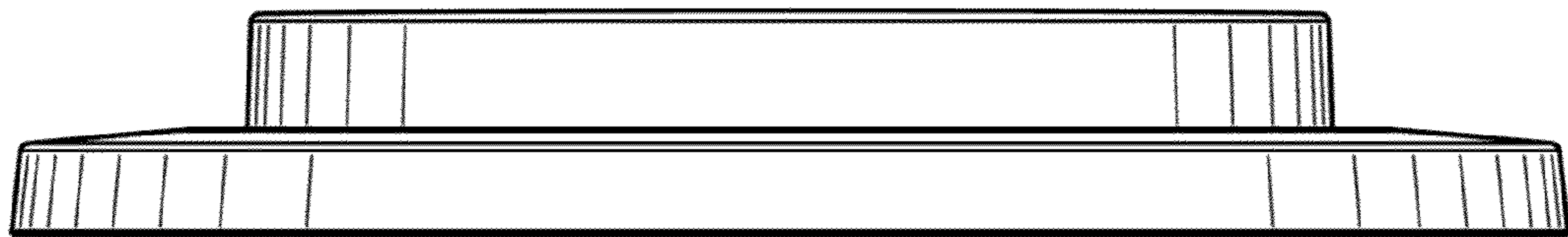


Fig. 6

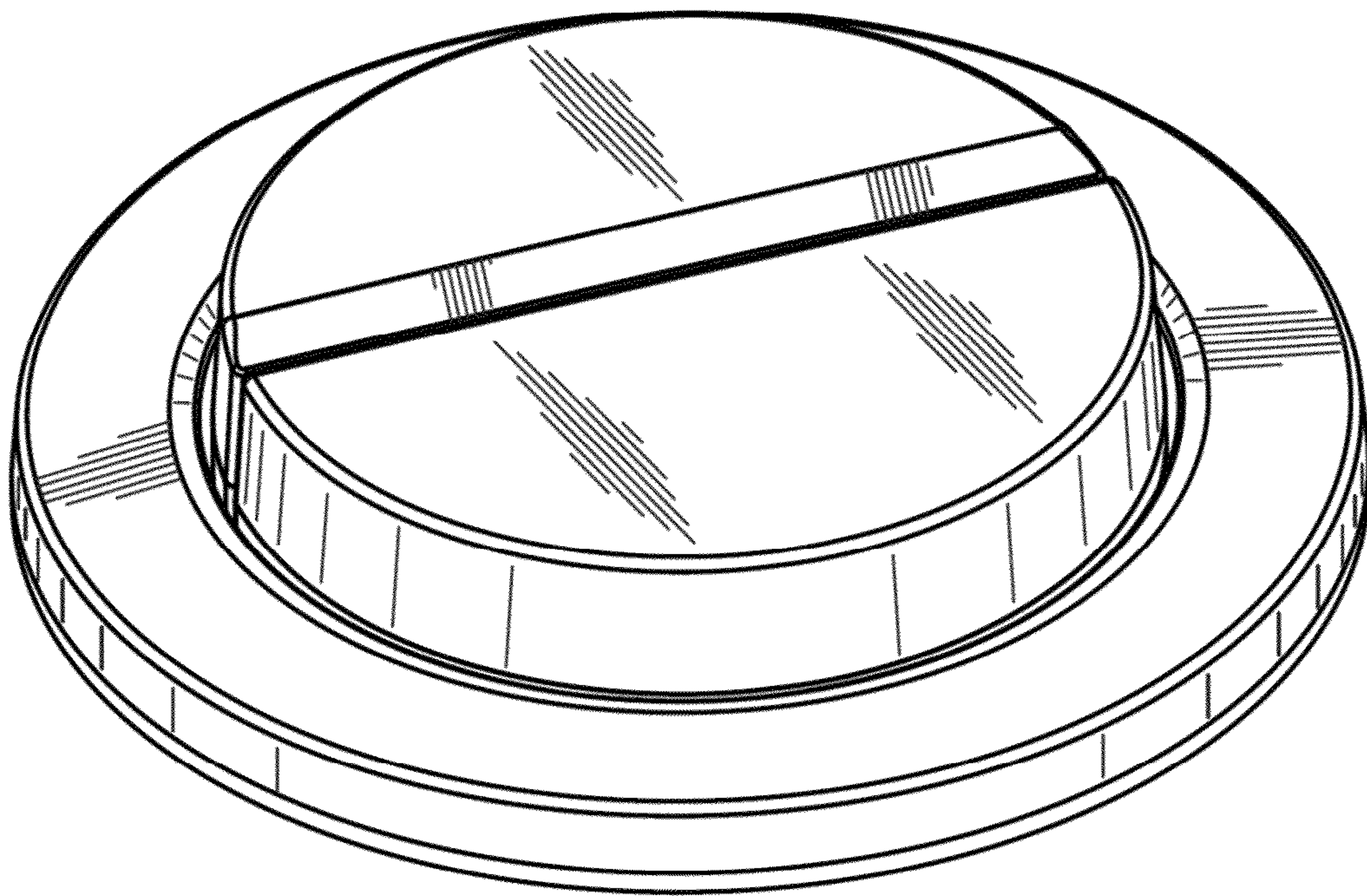


Fig. 7

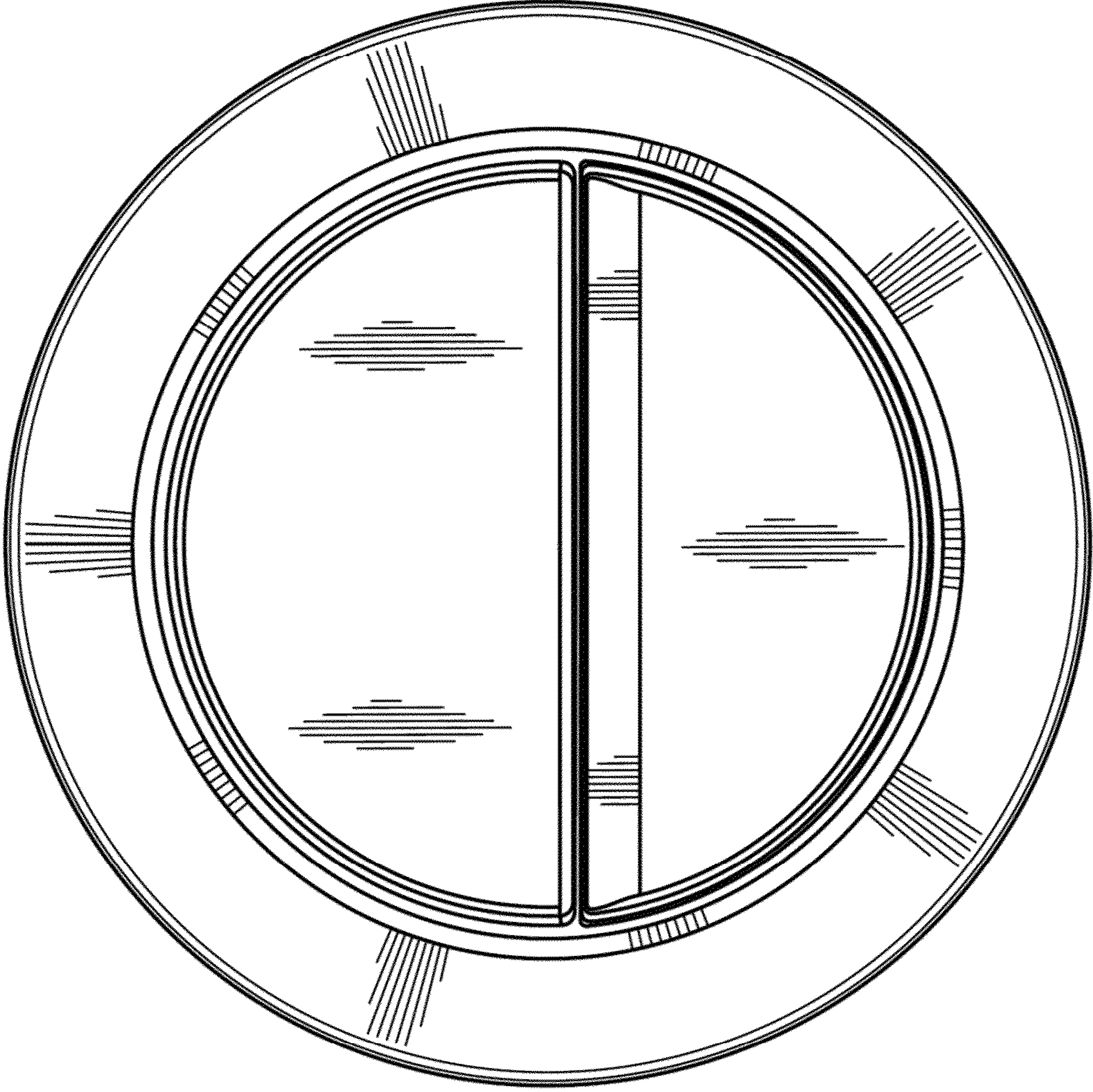


Fig. 8

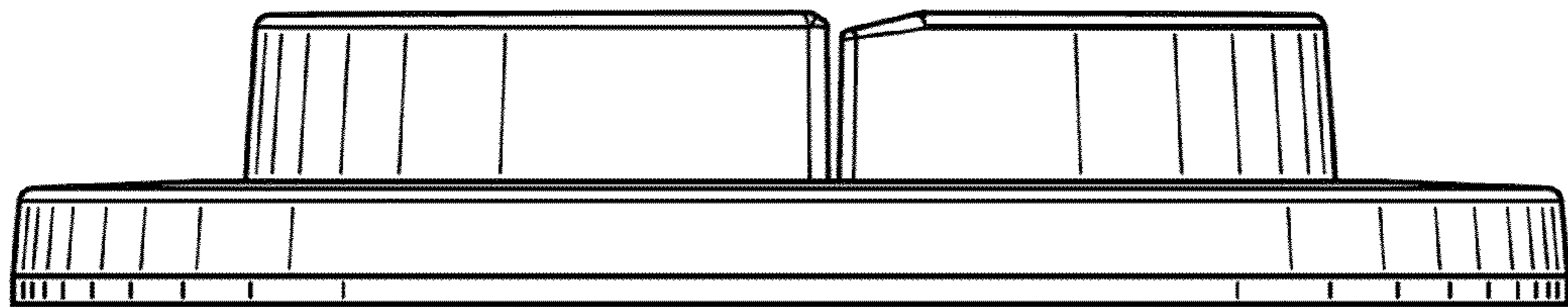


Fig. 9

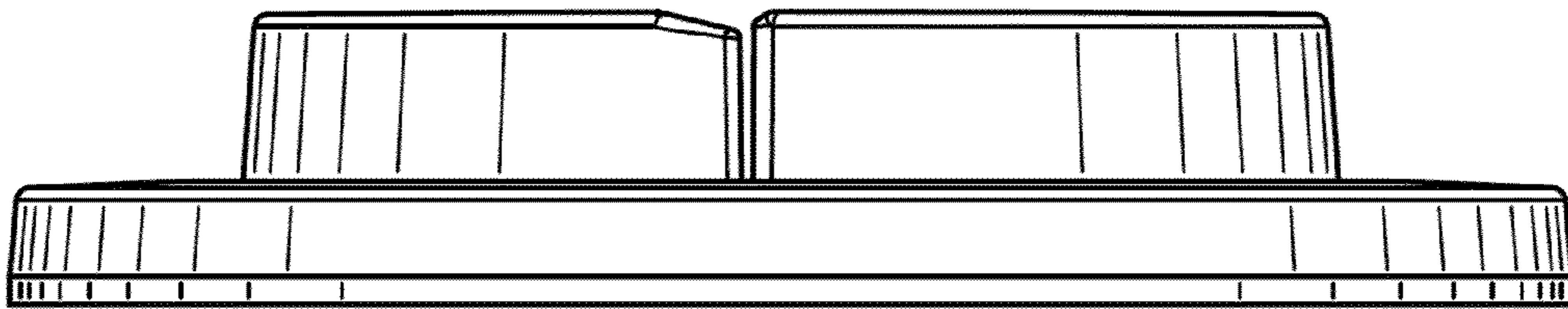


Fig. 10

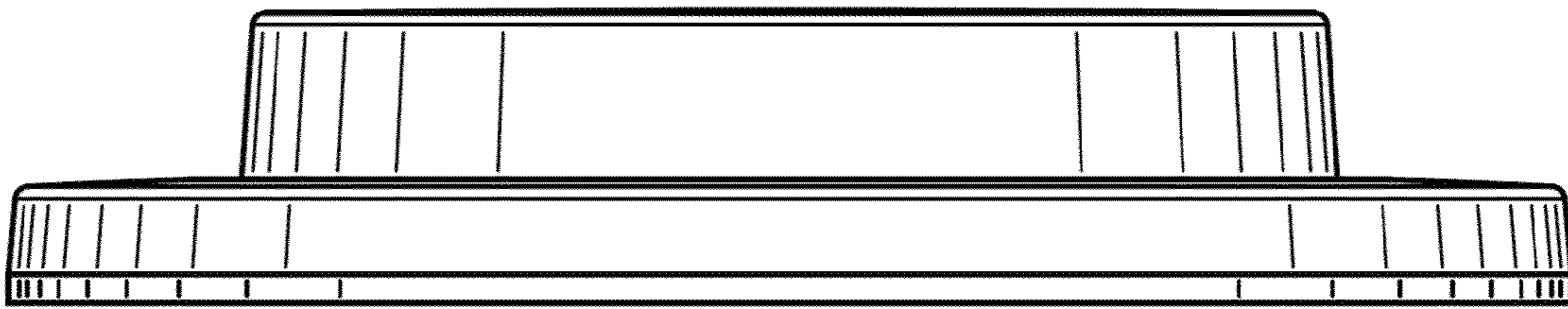


Fig. 11

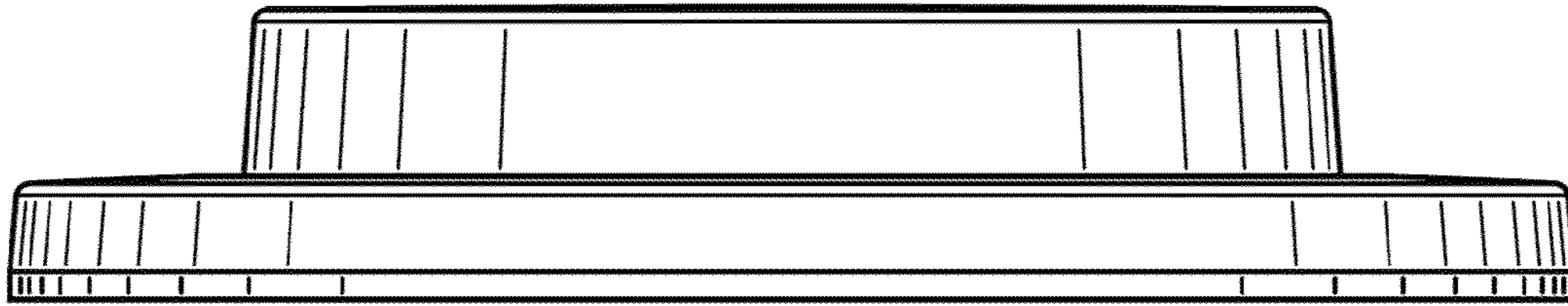


Fig. 12