



US00D743505S

(12) **United States Design Patent**
Clarey

(10) **Patent No.:** **US D743,505 S**

(45) **Date of Patent:** **** Nov. 17, 2015**

(54) **SPRAY TANK**

(71) Applicant: **The Fountainhead Group, Inc.**, New York Mills, NY (US)

(72) Inventor: **Andrew C. Clarey**, Clinton, NY (US)

(73) Assignee: **The Fountainhead Group, Inc.**, New York Mills, NY (US)

(**) Term: **14 Years**

(21) Appl. No.: **29/518,721**

(22) Filed: **Feb. 26, 2015**

(51) **LOC (10) Cl.** **23-01**

(52) **U.S. Cl.**
USPC **D23/225**

(58) **Field of Classification Search**
USPC D23/202, 213, 225; 222/383.1, 372, 222/465.1, 137; 239/152-154, 332-3, 337, 239/373
CPC A62C 15/00; B05B 9/08; B05B 9/04
See application file for complete search history.

(56) **References Cited**

U.S. PATENT DOCUMENTS

6,769,628 B1 * 8/2004 Vaage et al. 239/152
D639,388 S * 6/2011 Plantz et al. D23/225

D639,389 S * 6/2011 Plantz et al. D23/225
D664,236 S * 7/2012 Hudson et al. D23/225
D670,788 S * 11/2012 Plantz et al. D23/225
D698,889 S * 2/2014 Zabalo Ondarra D23/202
D713,005 S * 9/2014 Nicolia et al. D23/225
D713,501 S * 9/2014 Nicolia et al. D23/225
8,998,110 B2 * 4/2015 Nishimura 239/304

* cited by examiner

Primary Examiner — Robin V Webster

(74) *Attorney, Agent, or Firm* — George R. McGuire; Bond Schoeneck & King, PLLC

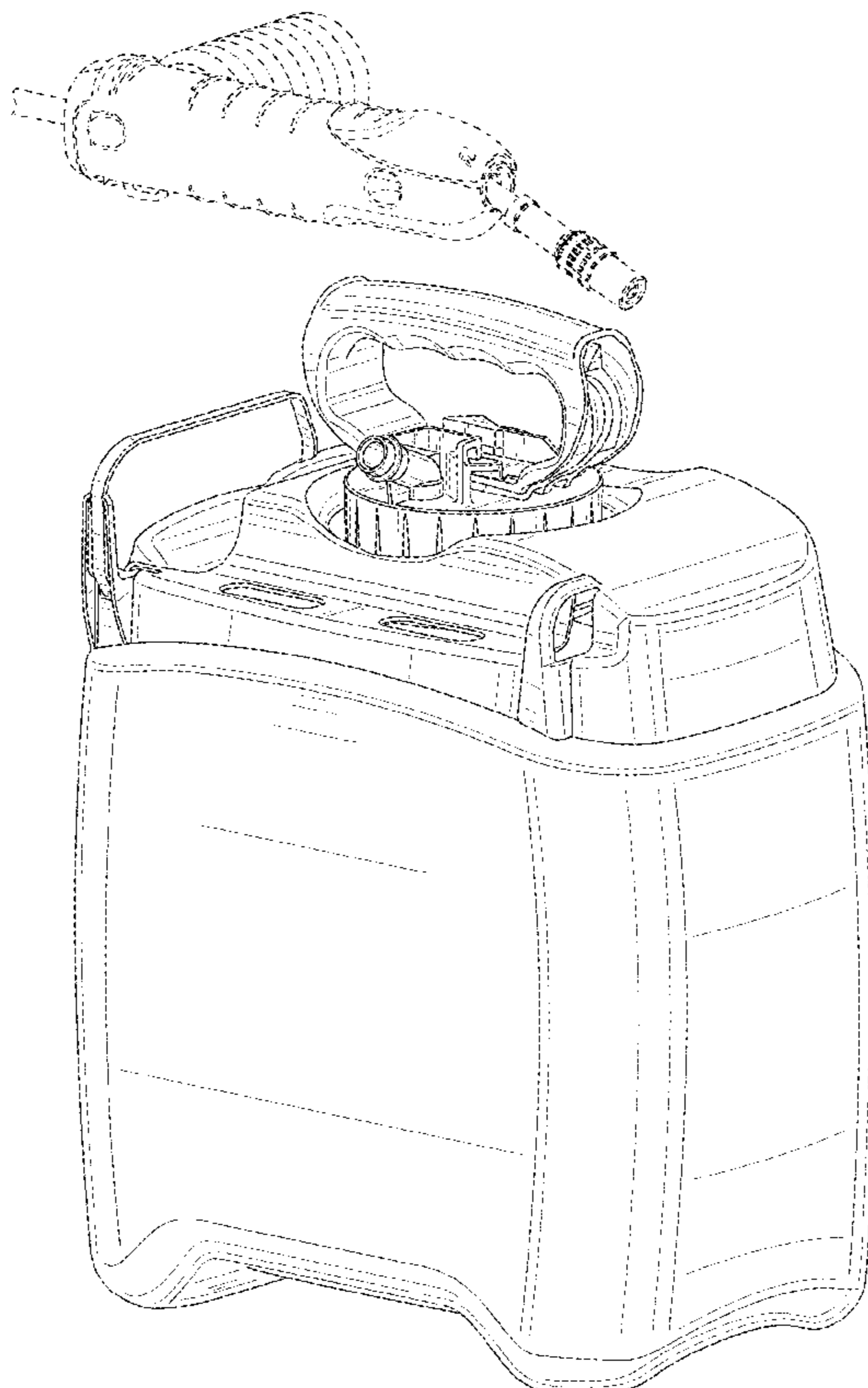
(57) **CLAIM**

The ornamental design for a spray tank, as shown and described.

DESCRIPTION

FIG. 1 is a perspective view of a new and ornamental design for a spray tank, with elements shown in phantom for environment only and forming no part of the claimed design; FIG. 2 is a front elevation view thereof; FIG. 3 is a rear elevation view hereof; FIG. 4 is a first side elevation view thereof; FIG. 5 is a second side elevation view thereof; FIG. 6 is a top plan view thereof; and, FIG. 7 is a bottom plan view thereof.

1 Claim, 7 Drawing Sheets



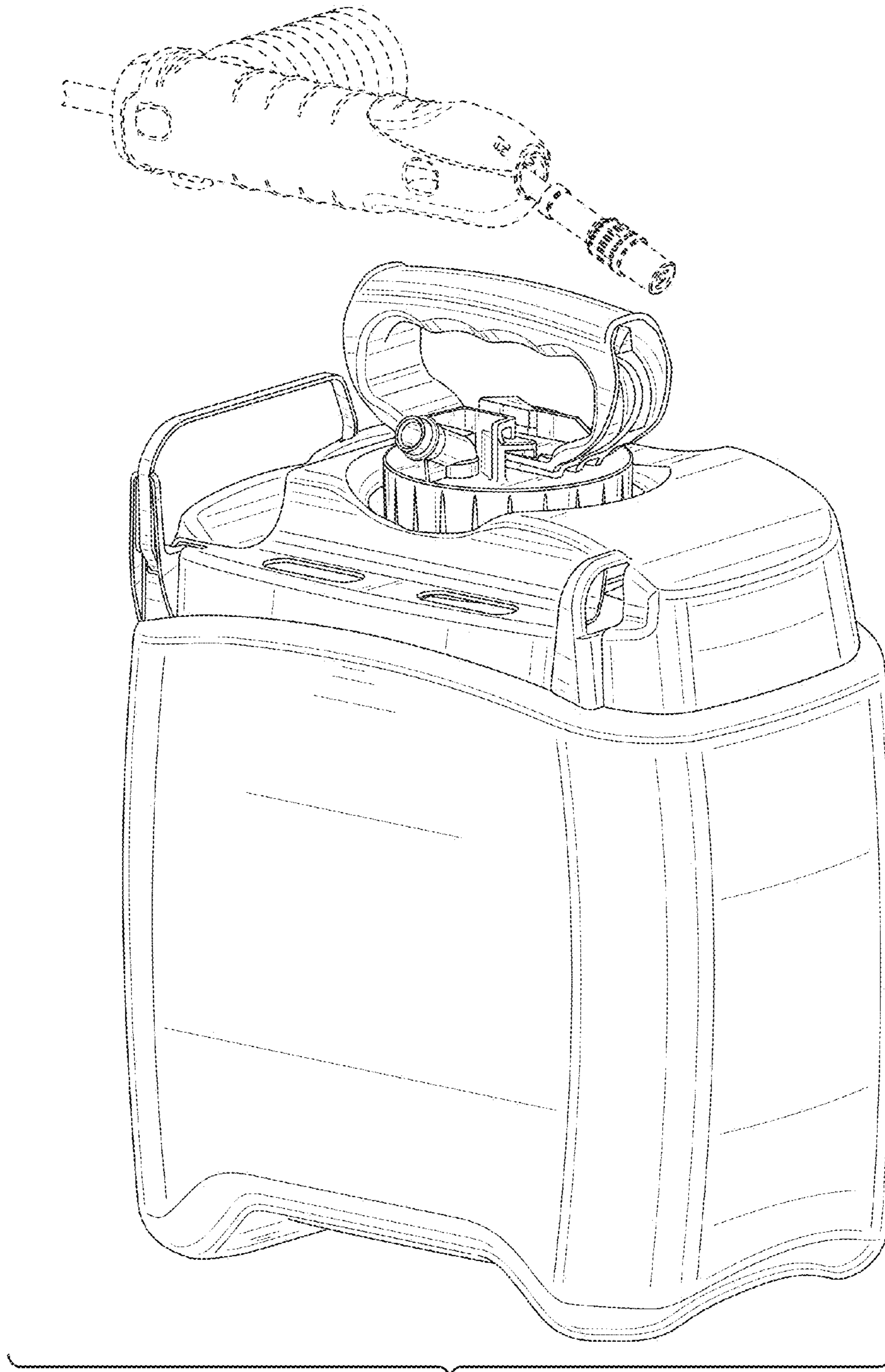


FIG. 1

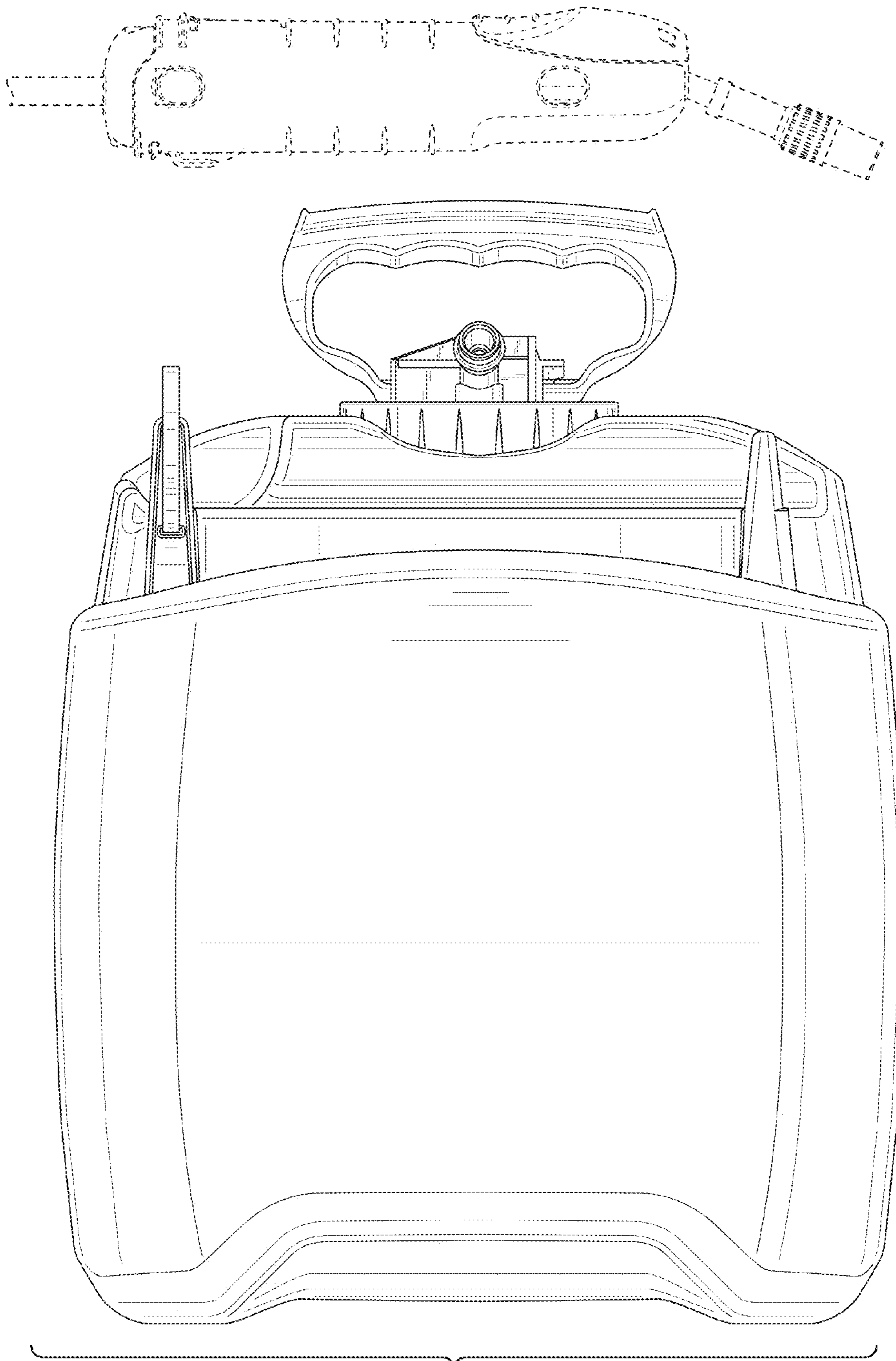


FIG. 2

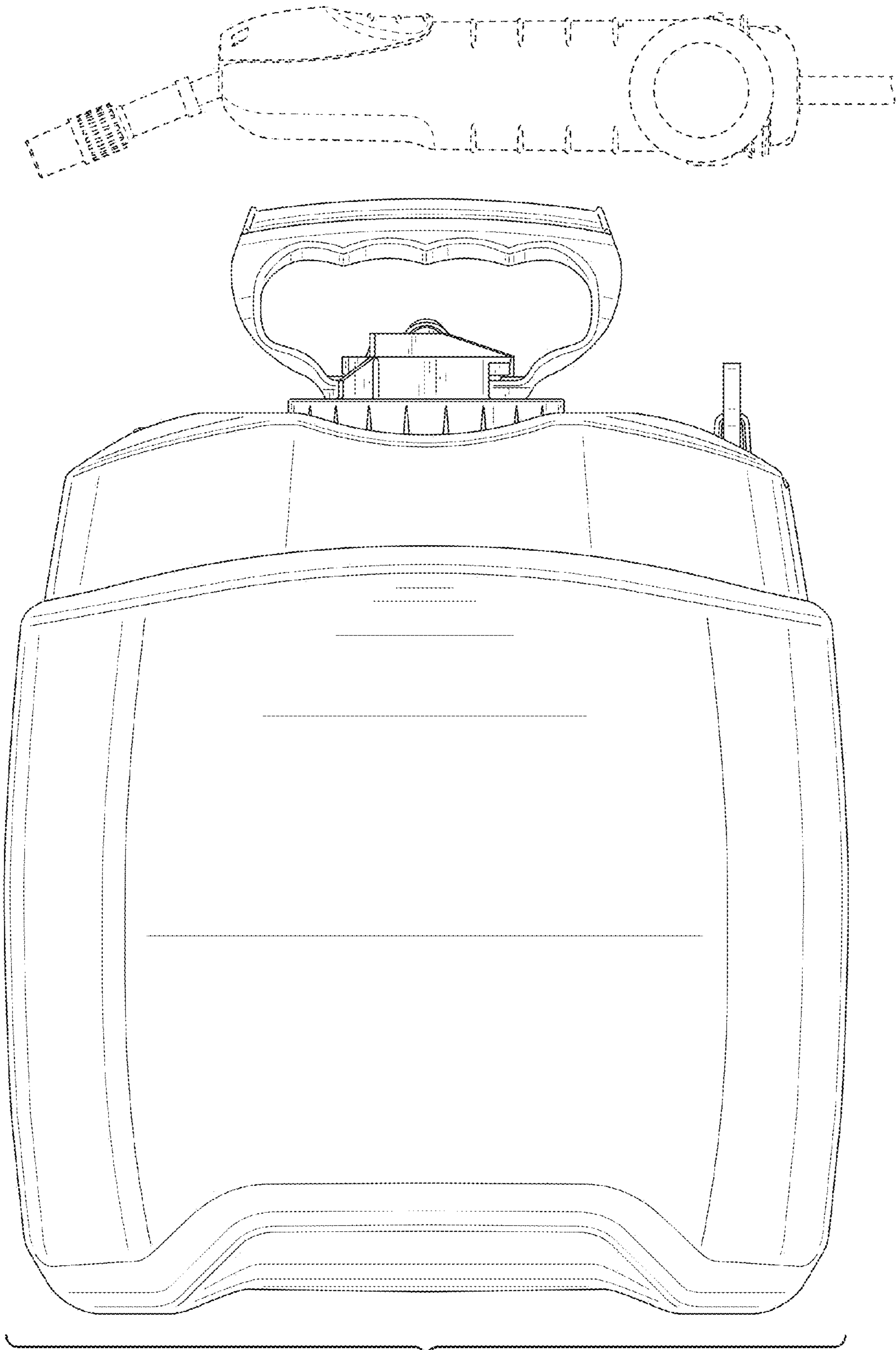


FIG. 3

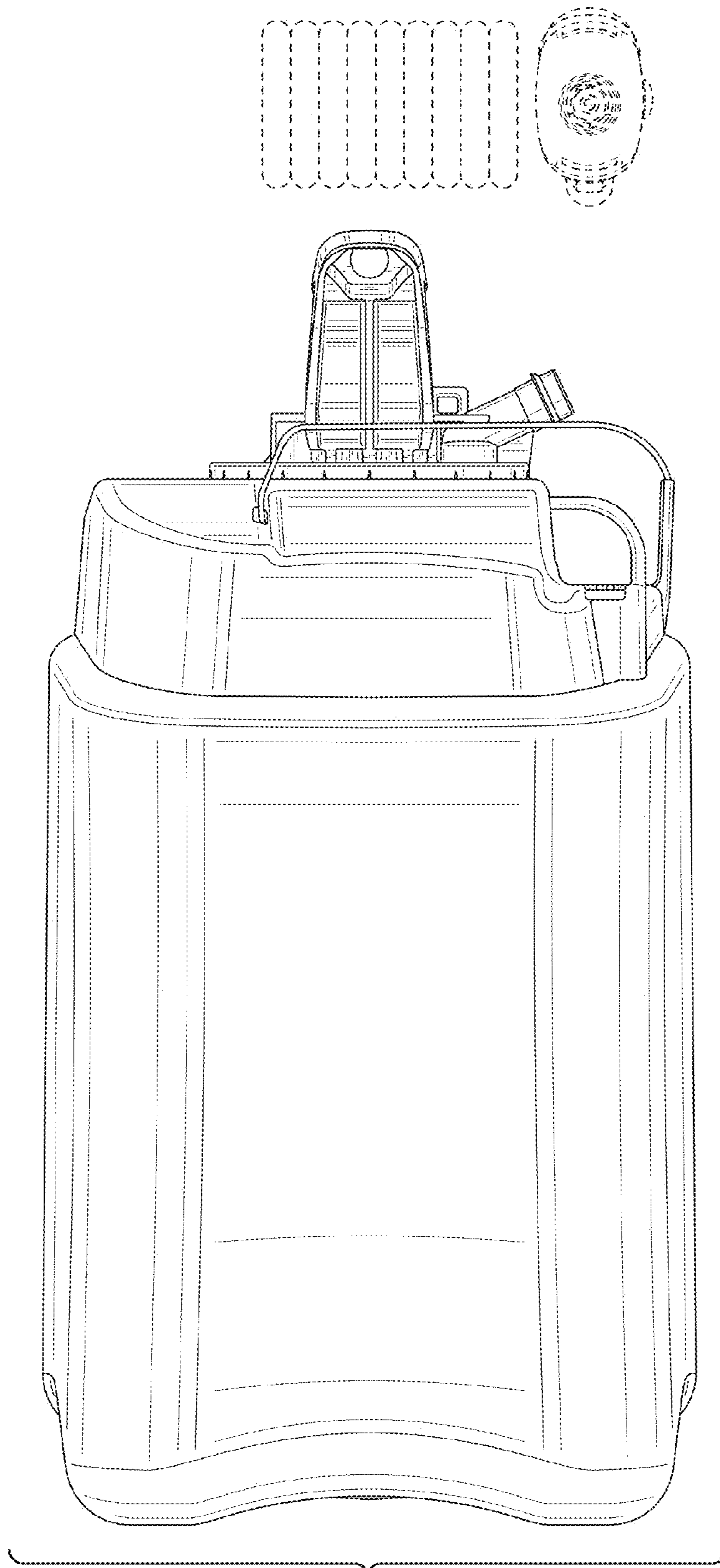


FIG. 4

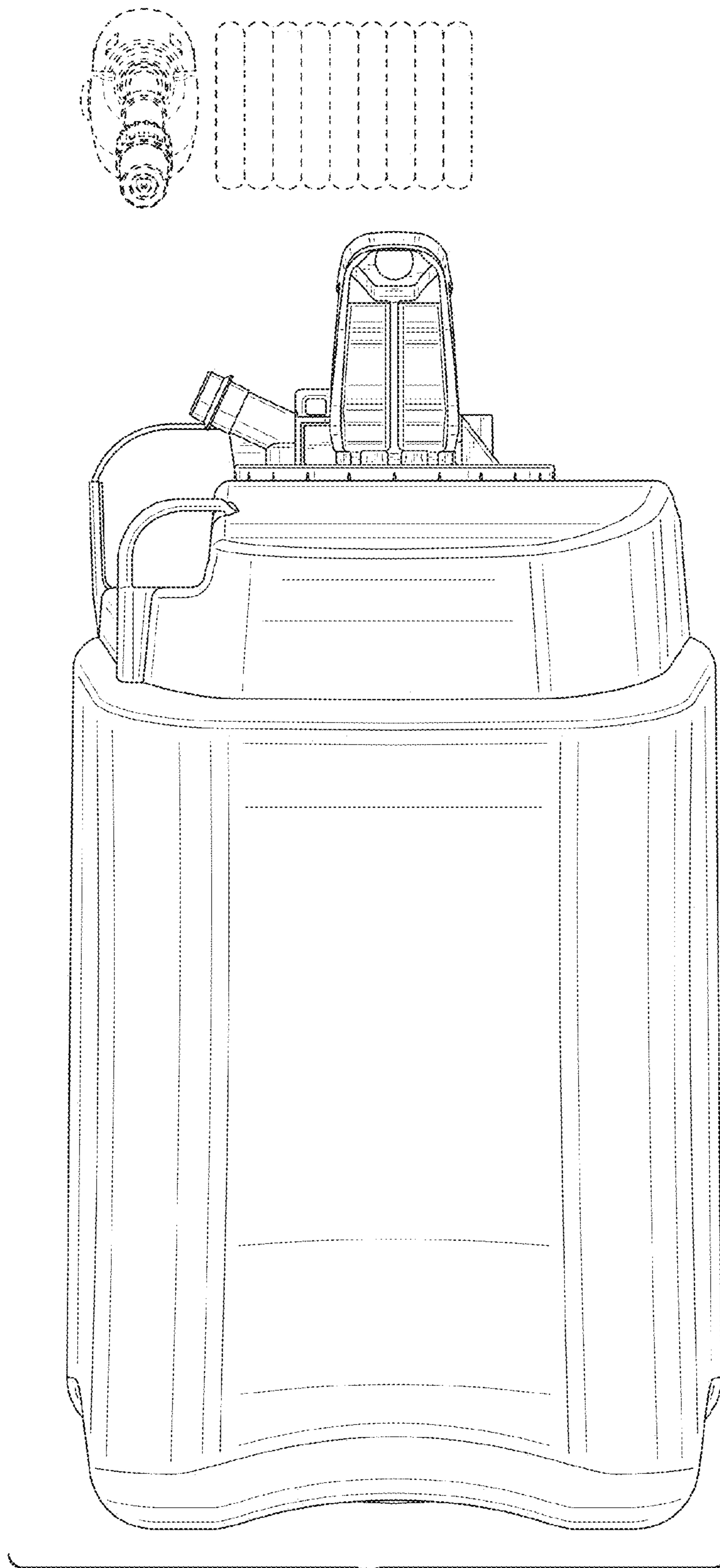


FIG. 5

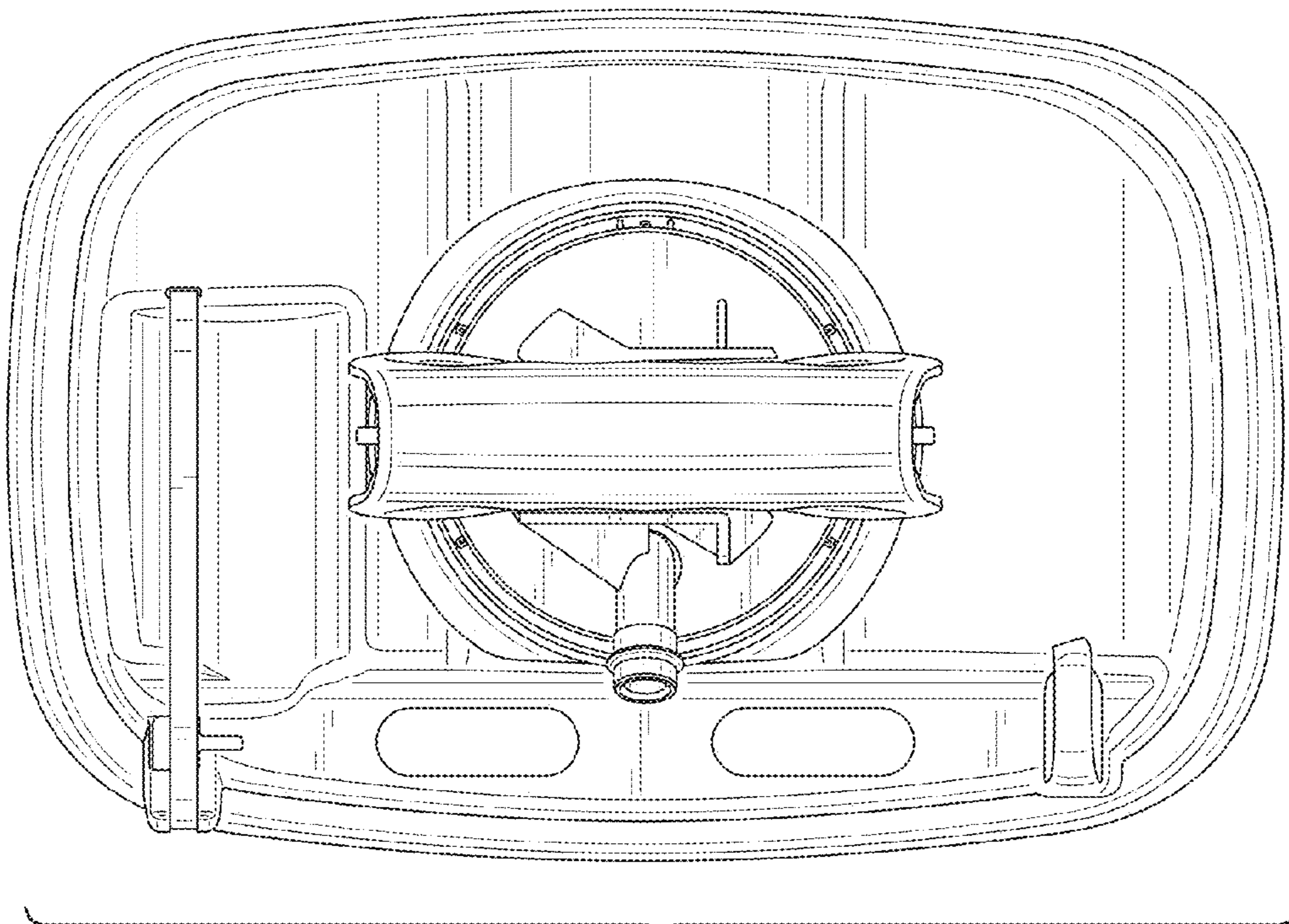
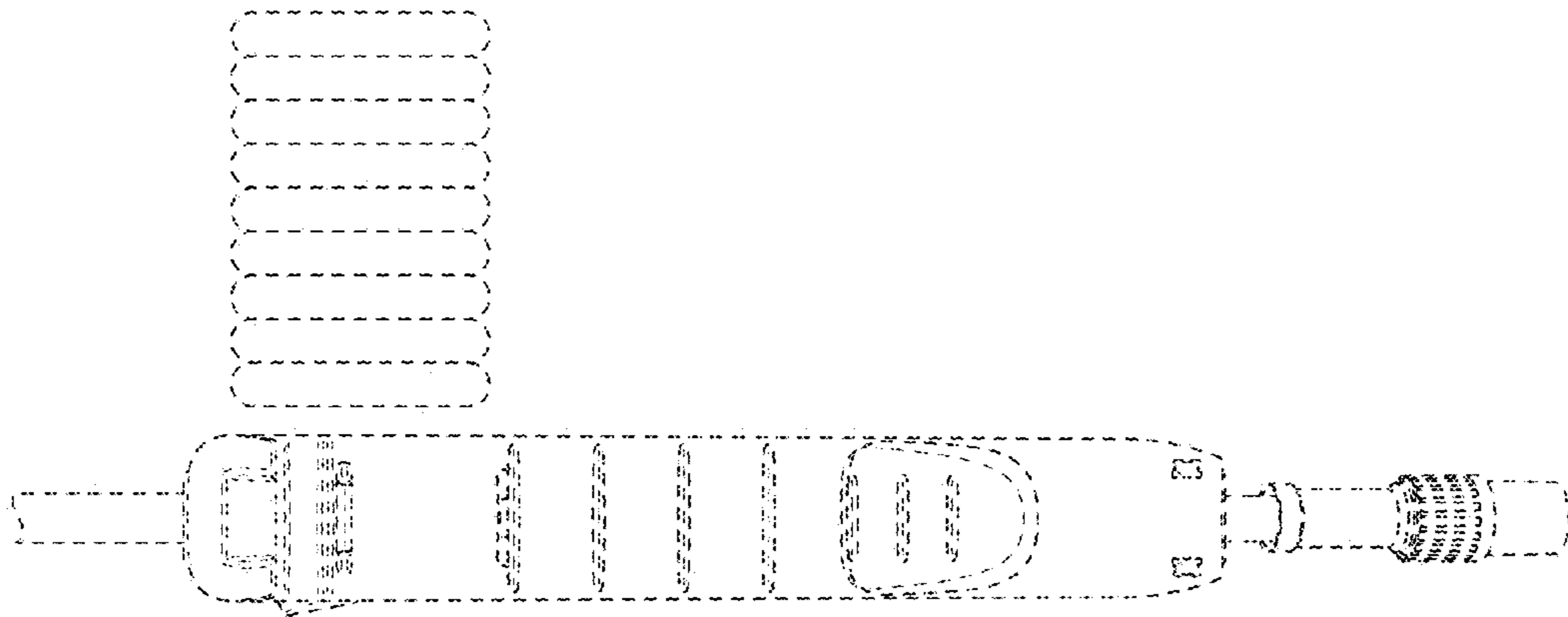


FIG. 6

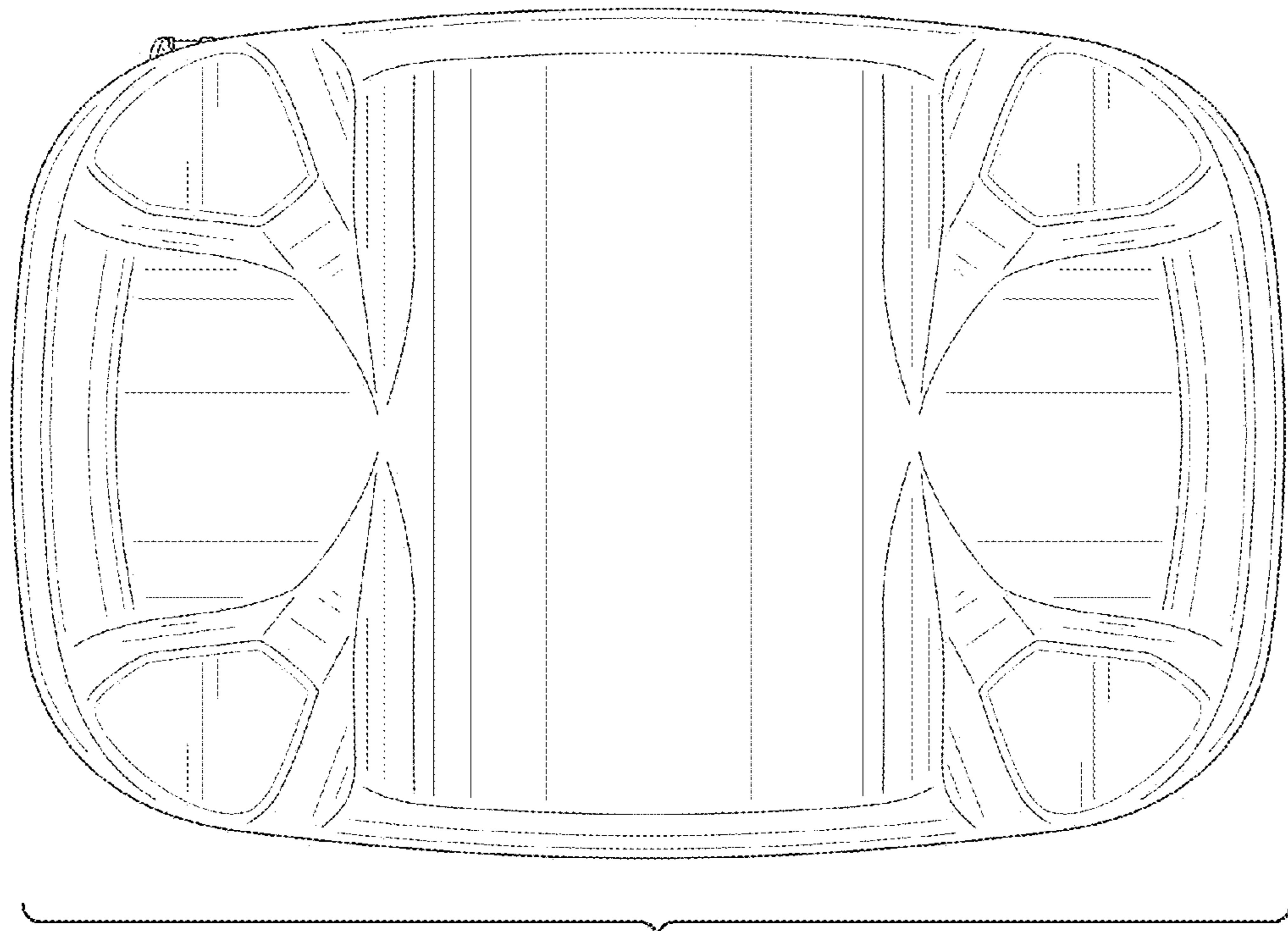
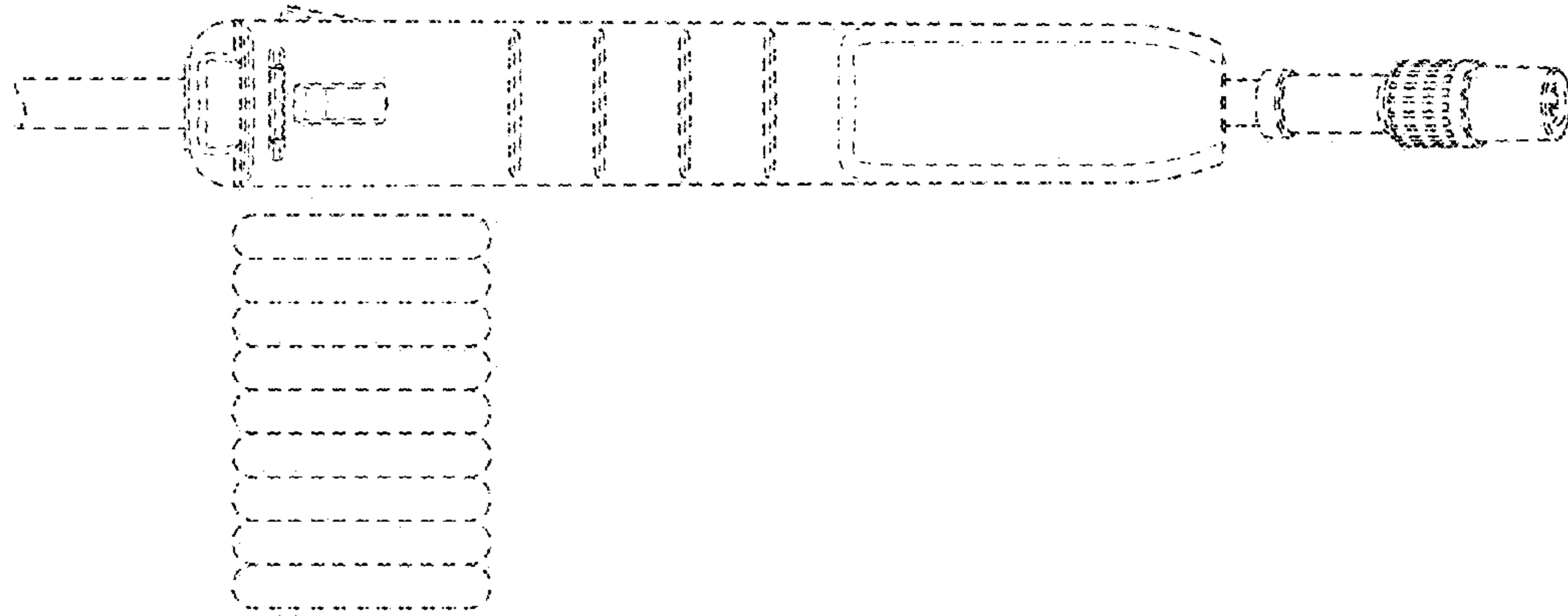


FIG. 7