



US00D743503S

(12) **United States Design Patent**
Huff

(10) **Patent No.:** **US D743,503 S**
(45) **Date of Patent:** **** Nov. 17, 2015**

(54) **PORTED EXTENSION FOR A GUN MUZZLE**

(71) Applicant: **Michael Huff**, Tracy, CA (US)

(72) Inventor: **Michael Huff**, Tracy, CA (US)

(**) Term: **14 Years**

(21) Appl. No.: **29/496,180**

(22) Filed: **Jul. 10, 2014**

(51) **LOC (10) Cl.** **22-01**

(52) **U.S. Cl.**
USPC **D22/108**

(58) **Field of Classification Search**
USPC D22/103, 108; 42/1.06, 107,
42/76.02-76.1; 89/14.1-14.8, 14.05, 177;
124/223
CPC F41A 21/32; F41A 21/325; F41A 21/34;
F41A 21/36; F41A 21/38; F41A 21/40;
F41A 21/42
See application file for complete search history.

(56) **References Cited**

U.S. PATENT DOCUMENTS

- 5,476,028 A * 12/1995 Seberger F41A 21/36
89/14.3
- 6,722,254 B1 * 4/2004 Davies F41A 21/36
42/1.06
- 8,739,674 B1 * 6/2014 Huber F41A 21/32
89/14.2
- D733,828 S * 7/2015 Larson, Jr. D22/108
- 9,080,829 B1 * 7/2015 Cellini F41A 21/36
- 2003/0154849 A1 * 8/2003 Breuer F41A 21/36
89/14.3

- 2008/0083321 A1 * 4/2008 Dueck F41A 21/36
89/14.3
- 2014/0165438 A1 * 6/2014 Wilkinson F41A 21/36
42/1.06
- 2015/0001001 A1 * 1/2015 Wilson B23K 26/345
181/223
- 2015/0192379 A1 * 7/2015 Larson, Jr. F41A 21/36
89/14.3

OTHER PUBLICATIONS

“DangerWerx CNC Aluminum KWA MP9 Threaded Barrel Adapter.” Model: (AD-DW-MP9). Evike.com Airsoft Guns—Gas Gun Parts. Downloaded from www.evike.com/product_info.php?cPath=26_118&products_id=37925&osCsid=fa3377dcb4494cabf6 . . . on Apr. 6, 2012. 2 pages.
Dave. “Mp9 Threaded Muzzle Install.” Dangerwerx. Downloaded Apr. 6, 2012 from dangerwerx.wordpress.com/mp9-threaded-muzzle-install/. pp. 1-36.

* cited by examiner

Primary Examiner — Michael A Pratt
(74) *Attorney, Agent, or Firm* — Silicon Edge Law Group LLP; Mark P. Guidotti

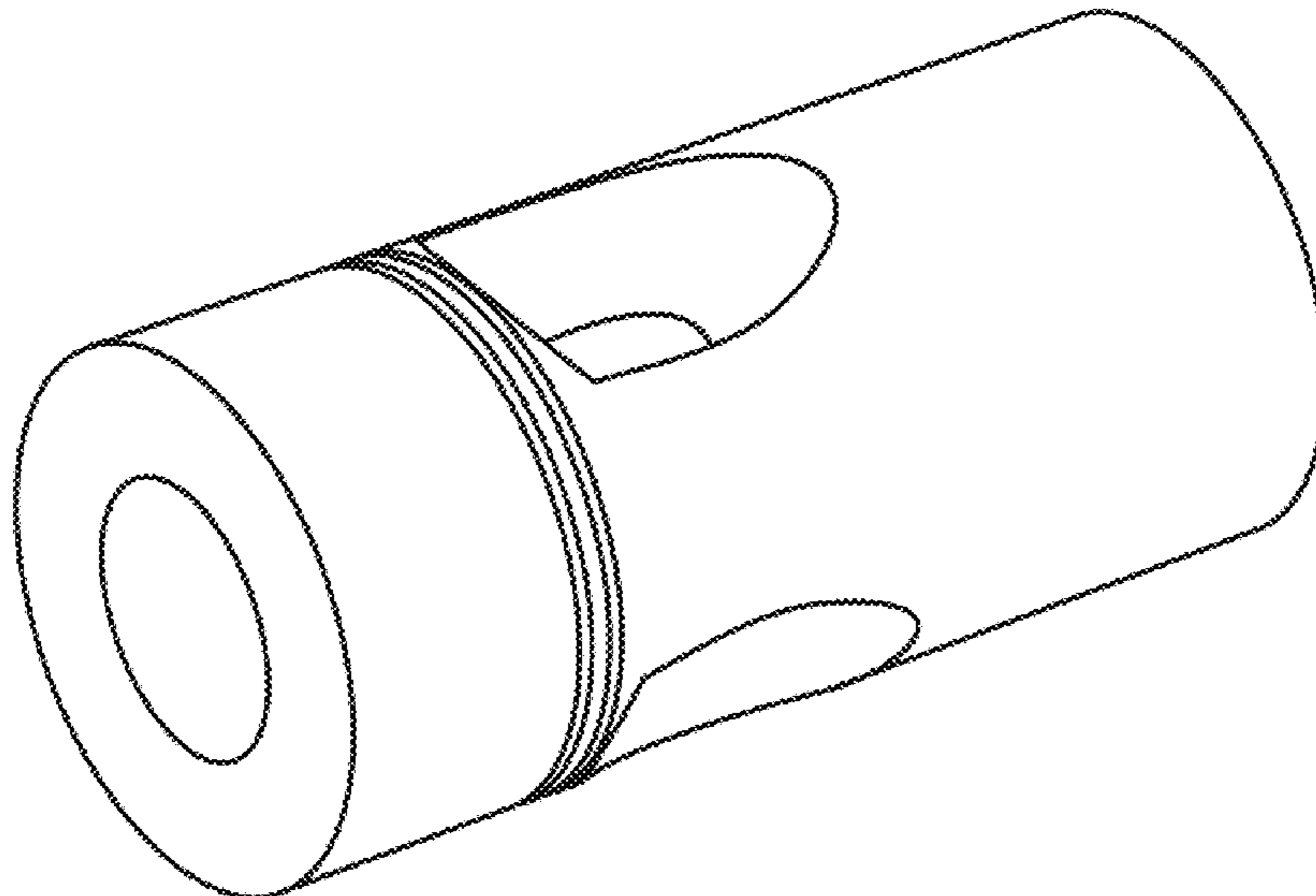
(57) **CLAIM**

The ornamental design for a ported extension for a gun muzzle, as shown and described.

DESCRIPTION

FIG. 1 is a perspective view of a ported extension for a gun muzzle showing my new design;
FIG. 2 is a side view thereof;
FIG. 3 is a rotated side view thereof; and,
FIG. 4 is a cross-sectional view of FIG. 3.

1 Claim, 1 Drawing Sheet



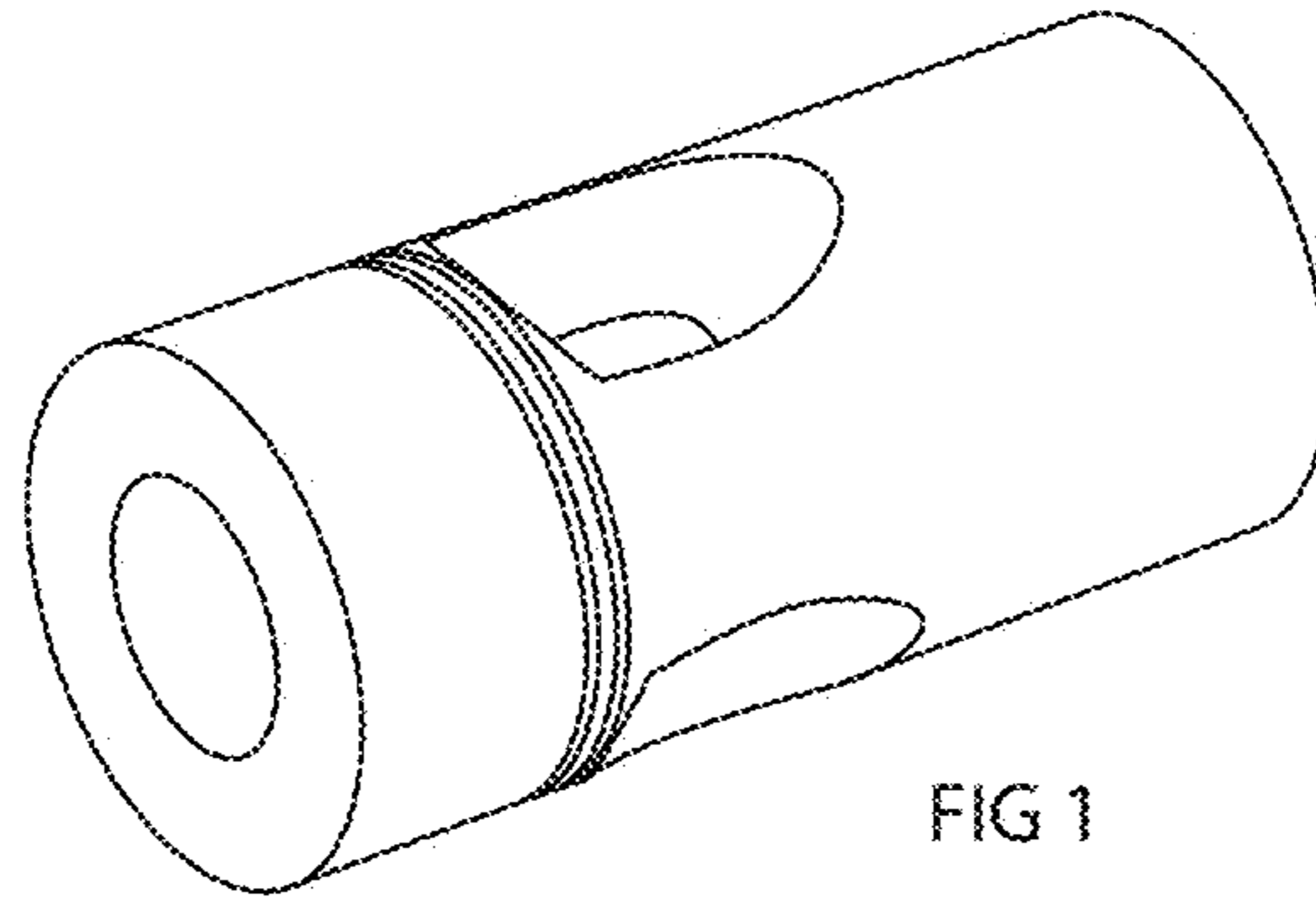


FIG 1

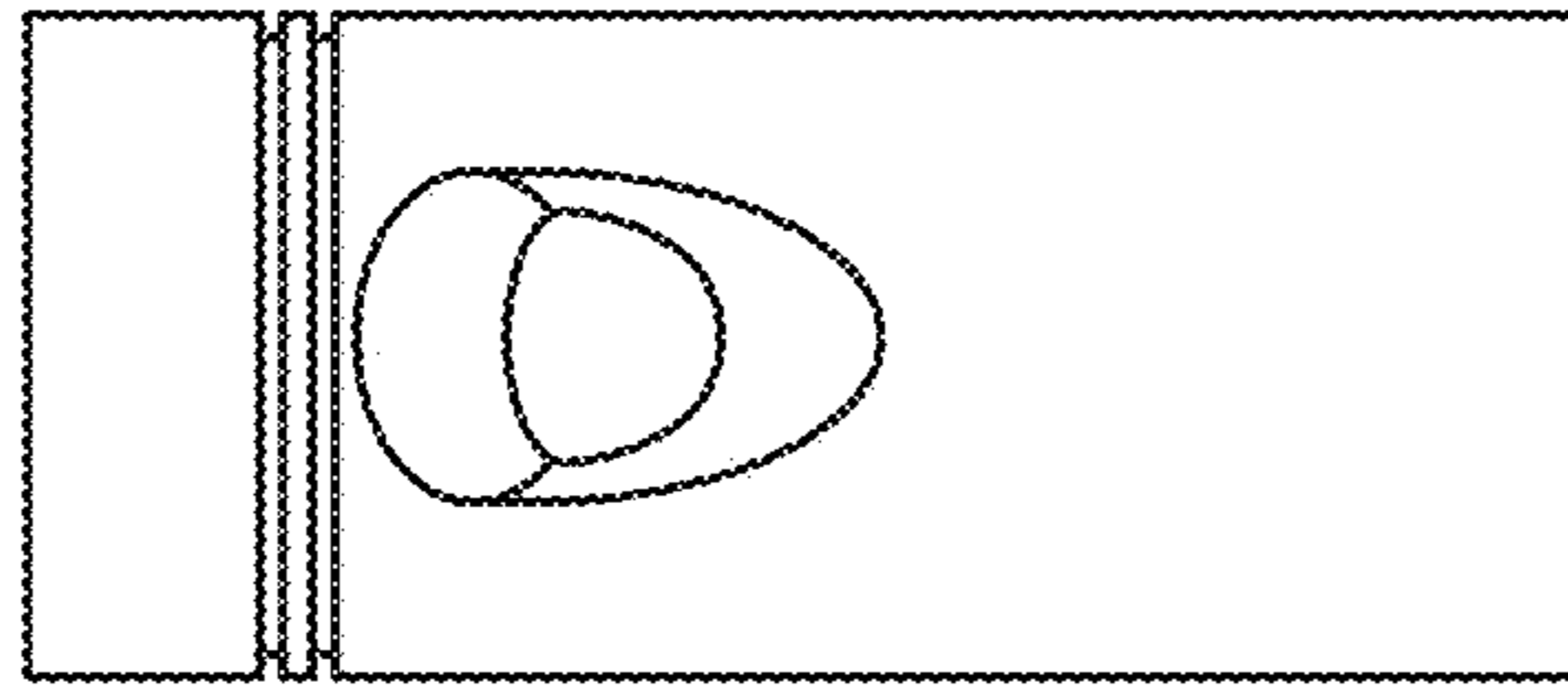


FIG 2



FIG 3

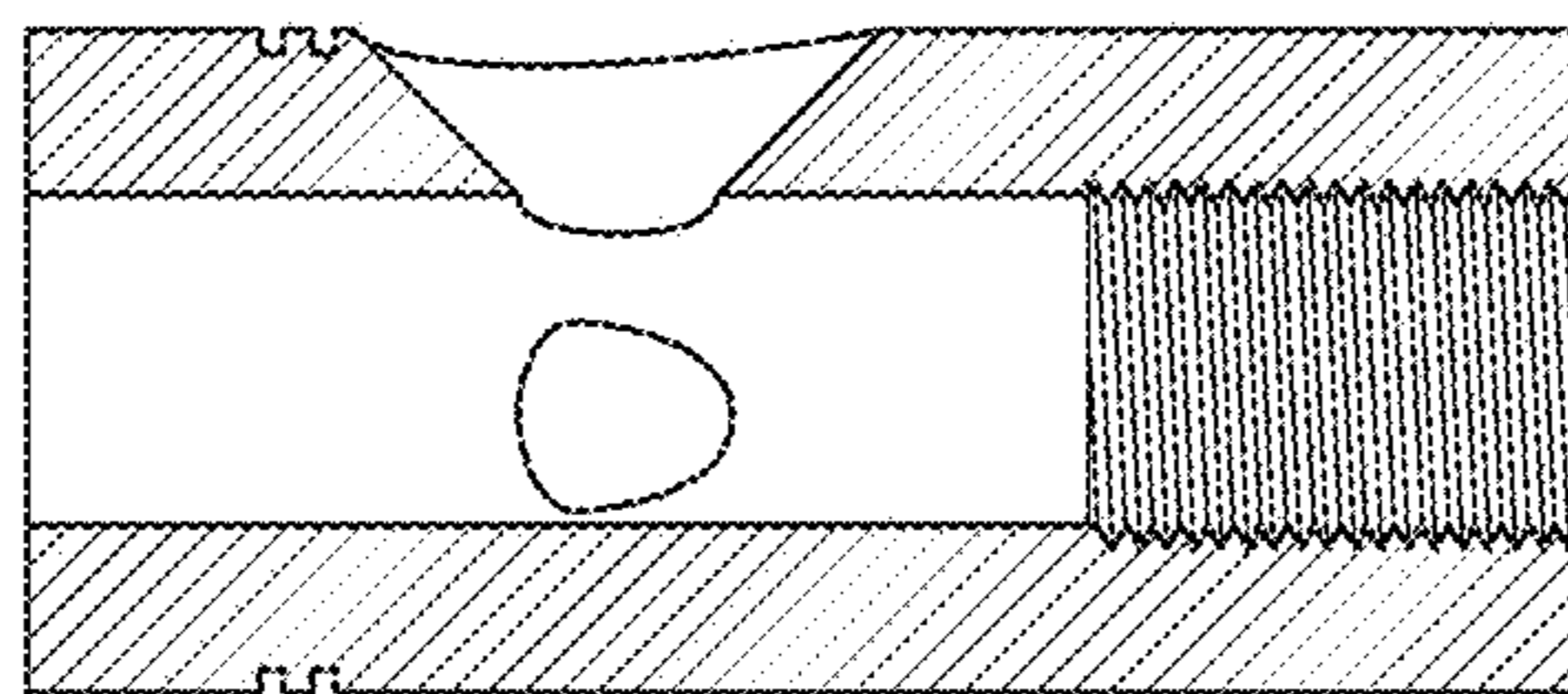


FIG 4