



US00D743502S

(12) **United States Design Patent**
Redavid, III

(10) **Patent No.:** **US D743,502 S**
(45) **Date of Patent:** **** Nov. 17, 2015**

(54) **ARROWHEAD**

(71) Applicant: **Paul John Redavid, III**, Lithia Springs, GA (US)

(72) Inventor: **Paul John Redavid, III**, Lithia Springs, GA (US)

(**) Term: **14 Years**

(21) Appl. No.: **29/494,327**

(22) Filed: **Jun. 19, 2014**

(51) **LOC (10) Cl.** **22-01**

(52) **U.S. Cl.**
USPC **D22/107**

(58) **Field of Classification Search**

USPC D22/107, 115, 199; 473/582, 578

CPC F42B 6/02; F42B 6/04; F42B 6/06

See application file for complete search history.

(56) **References Cited**

U.S. PATENT DOCUMENTS

2,963,811	A *	12/1960	Nelson	43/6
3,164,385	A *	1/1965	Shure	473/582
D279,813	S *	7/1985	Palizzolo	D22/115
4,651,999	A *	3/1987	Sturm	473/575
4,986,550	A *	1/1991	Segovia	473/584
D355,468	S *	2/1995	Lothe	D22/115
D363,108	S *	10/1995	Johnson	D22/115
D400,957	S *	11/1998	Botruff et al.	D22/115
D583,897	S *	12/2008	Ward	D22/107
8,062,155	B2 *	11/2011	Butcher	473/582
8,157,679	B2 *	4/2012	Cyr et al.	473/578
D704,787	S *	5/2014	Gryspeerd	D22/107
2002/0151393	A1 *	10/2002	Liechty, II	473/578
2003/0073525	A1 *	4/2003	Liechty, II	473/583
2007/0026980	A1 *	2/2007	Grace et al.	473/582
2008/0176681	A1 *	7/2008	Donahoe	473/570

* cited by examiner

Primary Examiner — Michael A Pratt

(57) **CLAIM**

The ornamental design for an arrowhead, as shown and described.

DESCRIPTION

FIG. 1 is a perspective view of a first embodiment of an arrowhead;

FIG. 2 is a front elevation view of the first embodiment of the arrowhead;

FIG. 3 is a rear elevation view of the first embodiment of the arrowhead;

FIG. 4 is a left elevation view of the first embodiment of the arrowhead, the right elevation view being a mirror image thereof;

FIG. 5 is a top plan view of the first embodiment of the arrowhead, the bottom plan view being a mirror image thereof;

FIG. 6 is a perspective top view of the first embodiment of the arrowhead shown in use in an operable configuration on an arrow;

FIG. 7 is a perspective bottom view of the first embodiment of the arrowhead shown in use in the operable configuration on the arrow;

FIG. 8 is a perspective view of a second embodiment of the arrowhead;

FIG. 9 is a front elevation view of the second embodiment of the arrowhead;

FIG. 10 is a rear elevation view of the second embodiment of the arrowhead;

FIG. 11 is a left elevation view of the second embodiment of the arrowhead;

FIG. 12 is a right elevation view being a mirror image thereof;

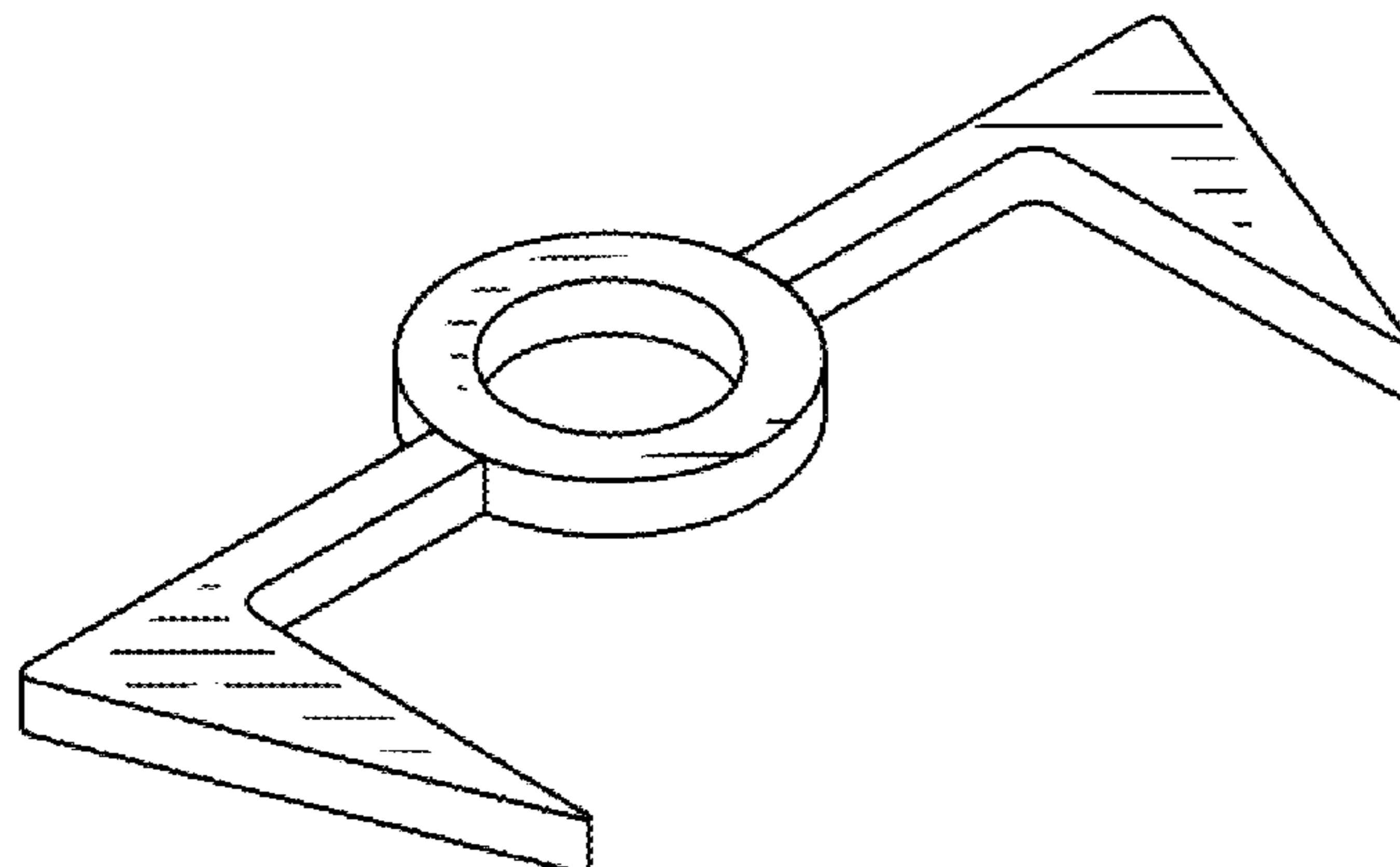
FIG. 13 is a top plan view of the second embodiment of the arrowhead, the bottom plan view being a mirror image thereof;

FIG. 14 is a perspective top view of the second embodiment of the arrowhead shown in use in an operable configuration on the arrow; and,

FIG. 15 is a perspective bottom view of the second embodiment of the arrowhead shown in use in the operable configuration on the arrow.

The arrows shown in broken lines are for illustrative purposes only and form no part of the claimed design.

1 Claim, 4 Drawing Sheets



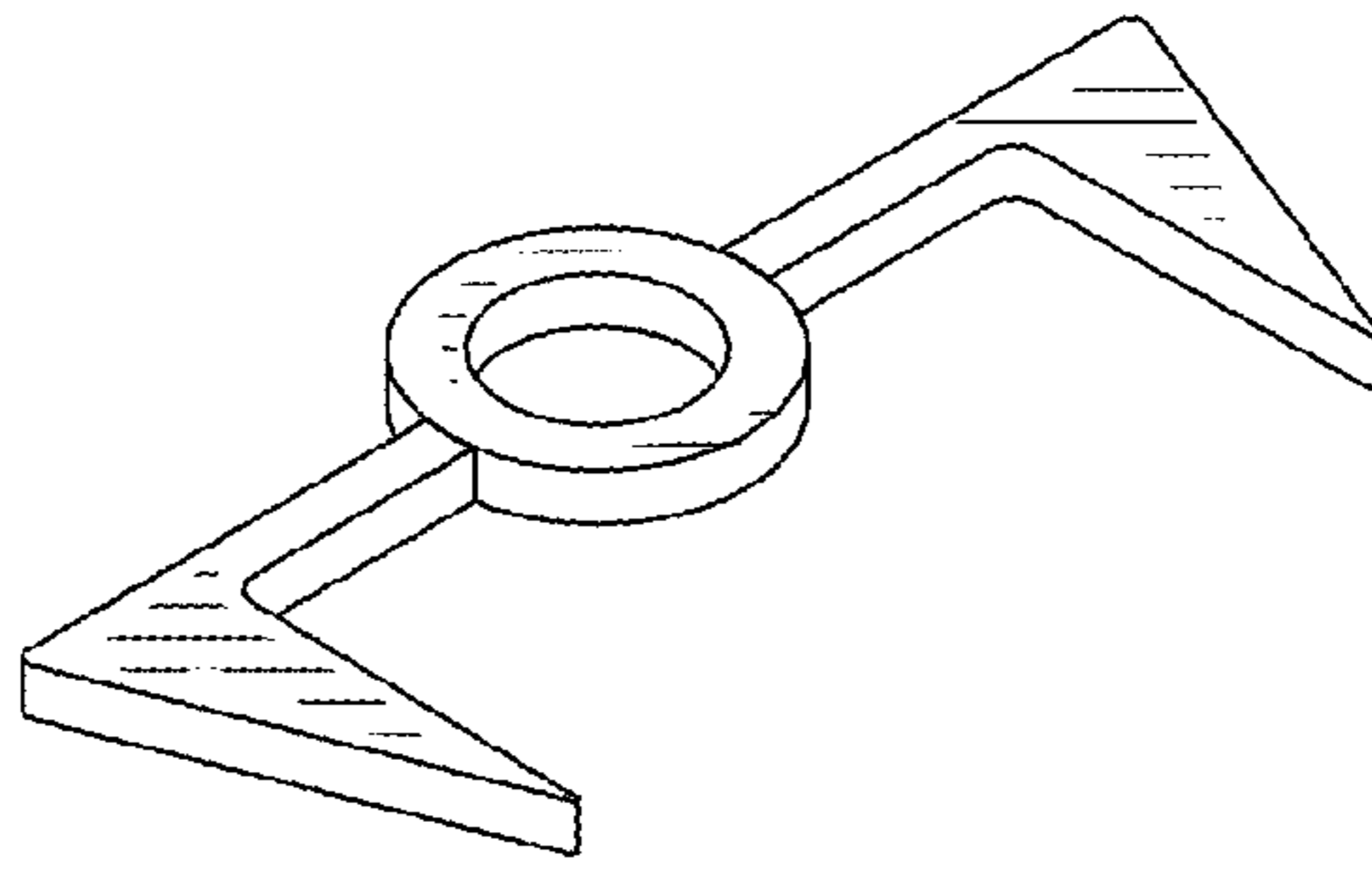


FIG. 1



FIG. 2

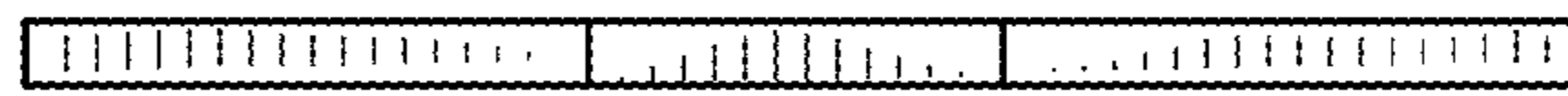


FIG. 3



FIG. 4

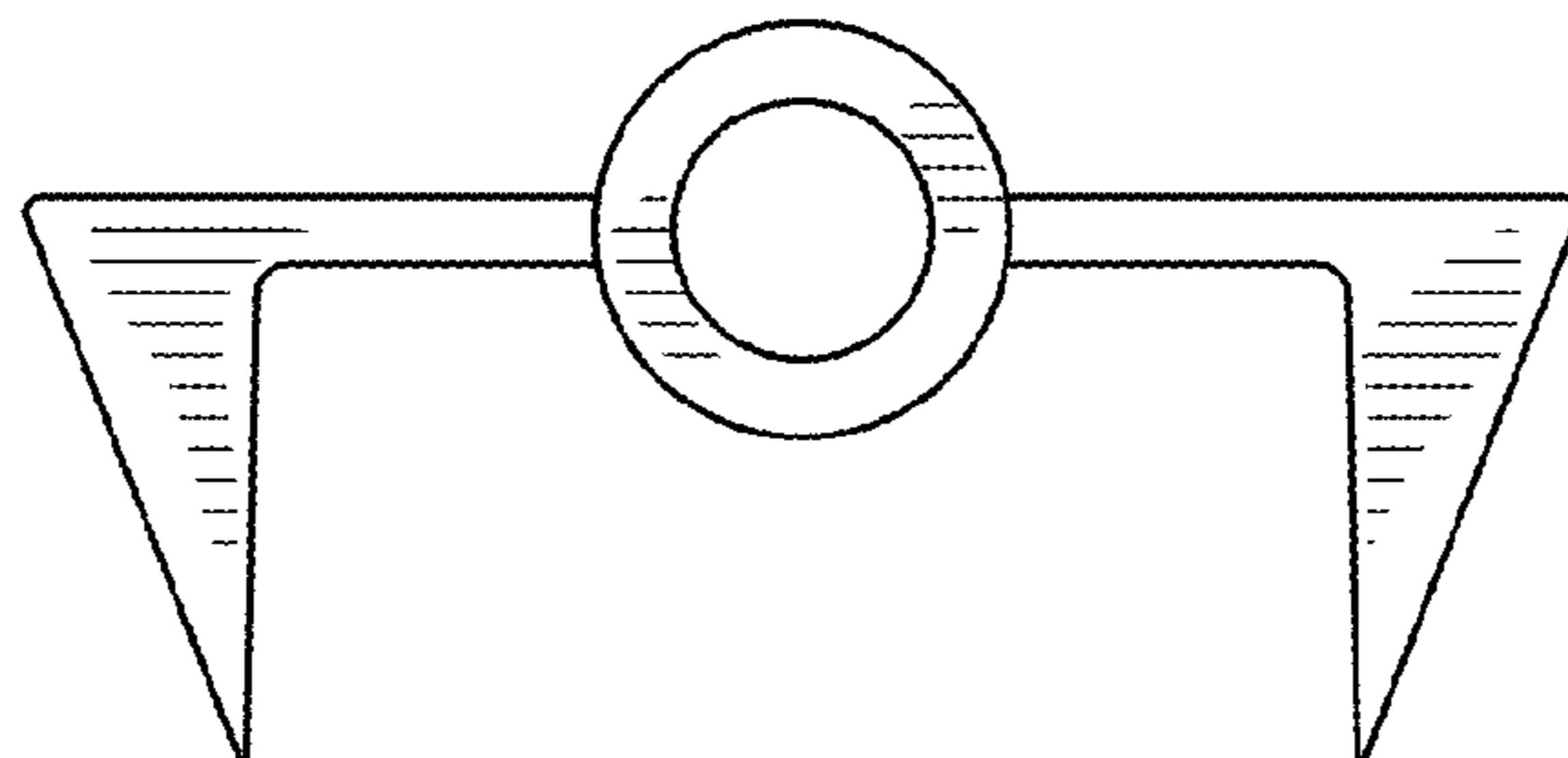


FIG. 5

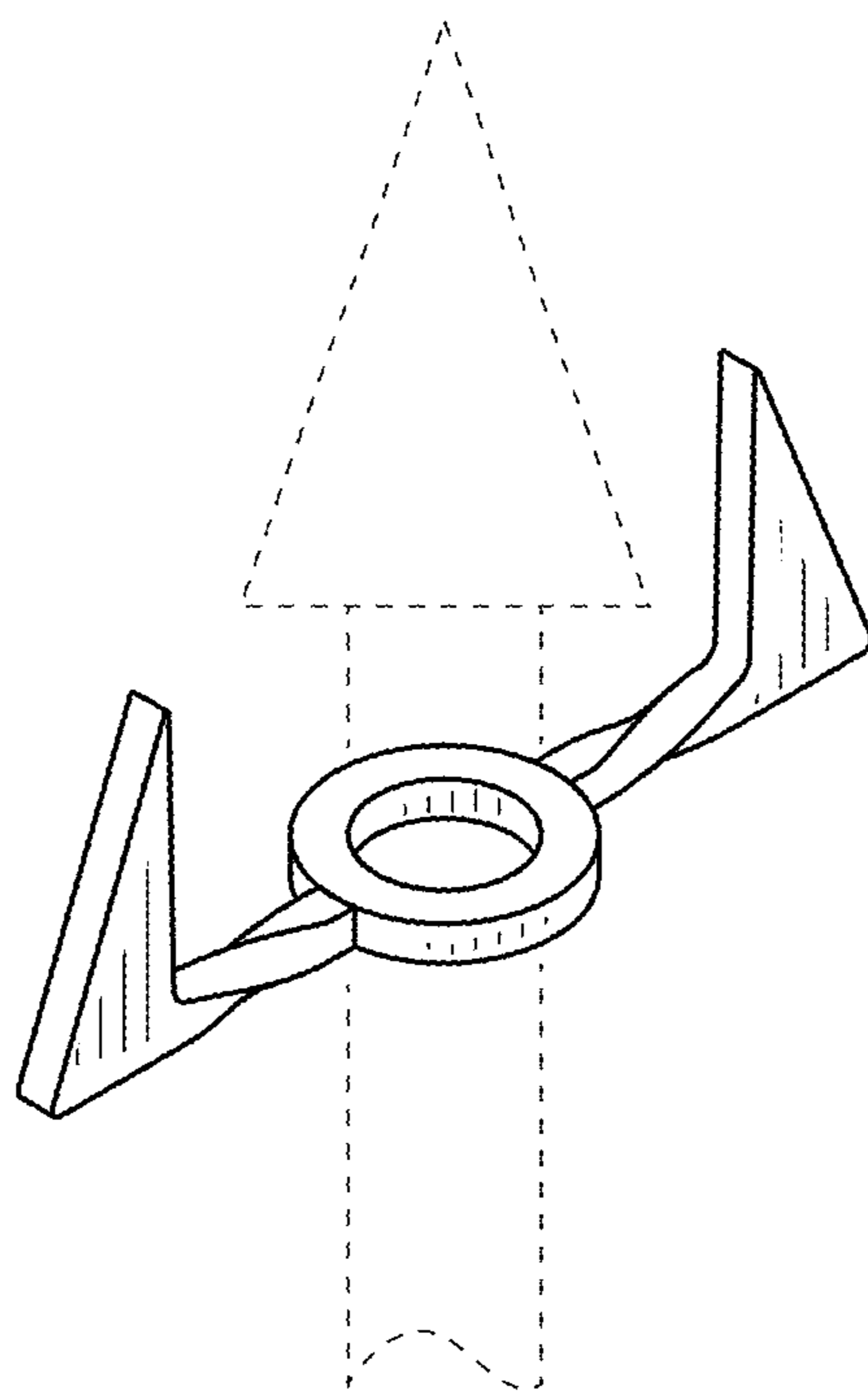


FIG. 6

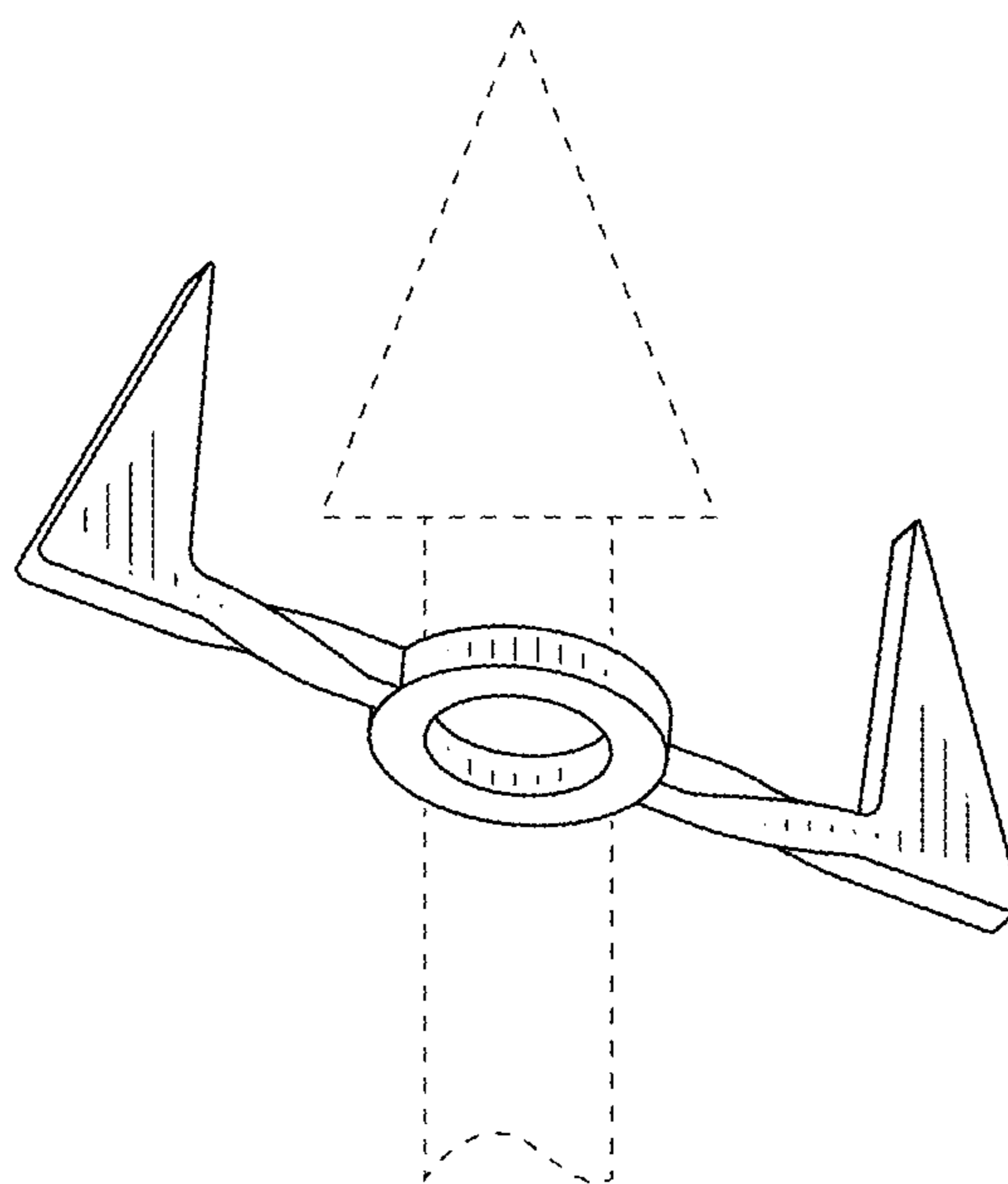


FIG. 7

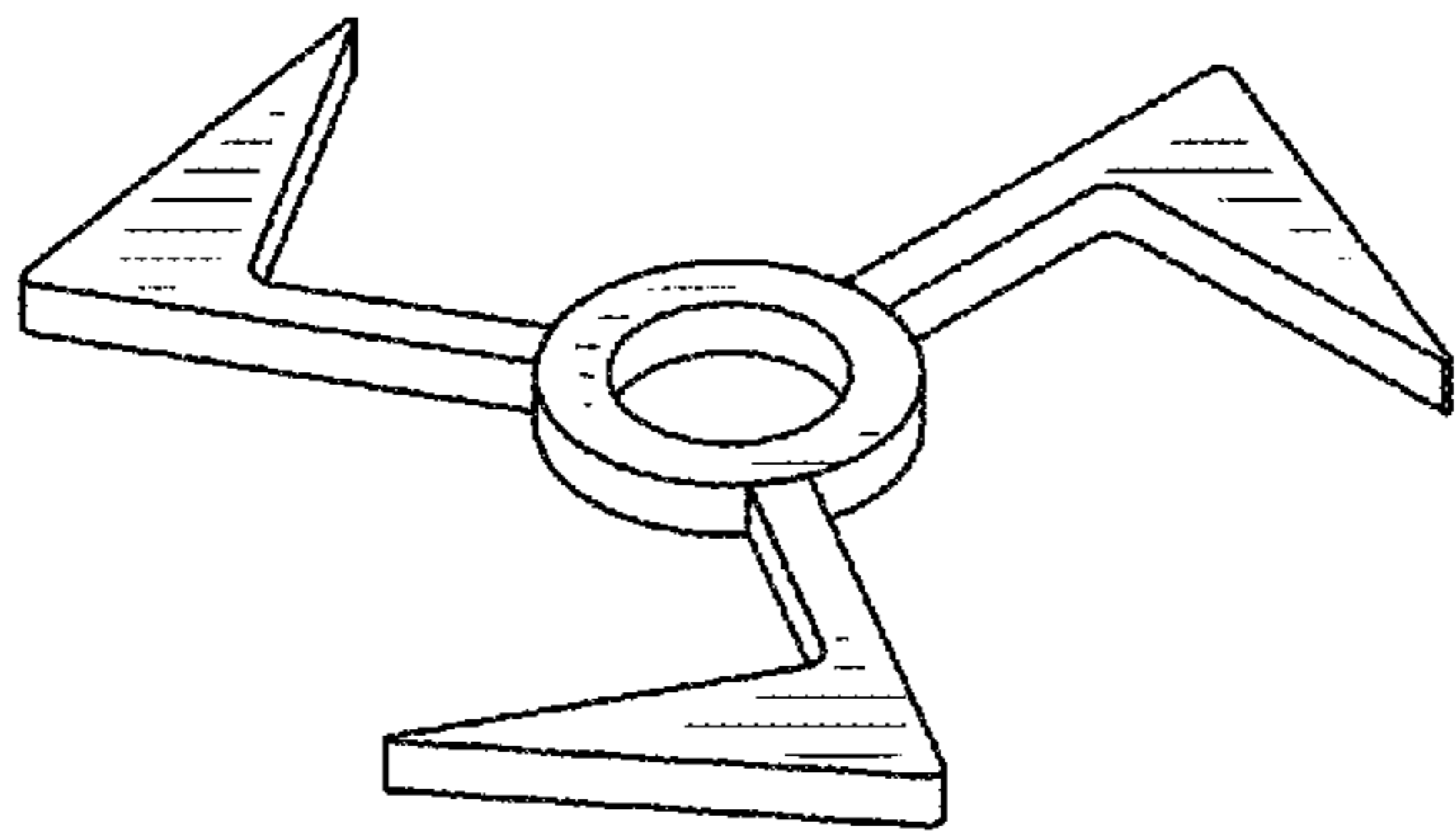


FIG. 8

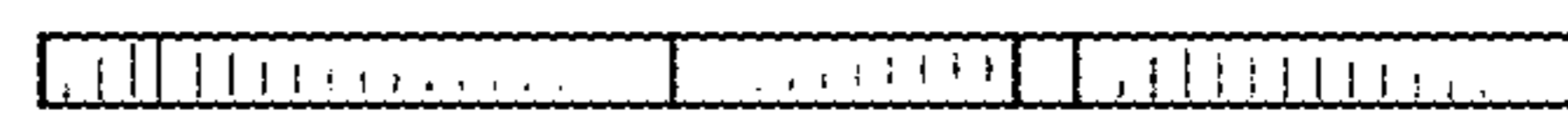


FIG. 9

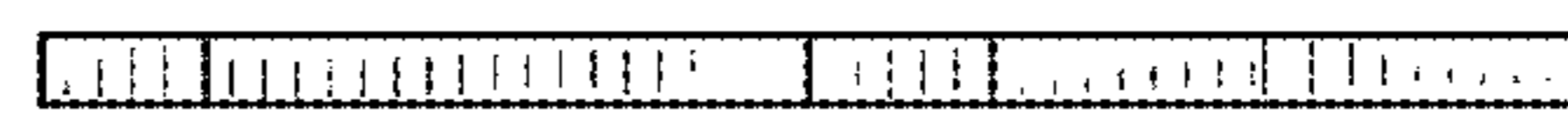


FIG. 10

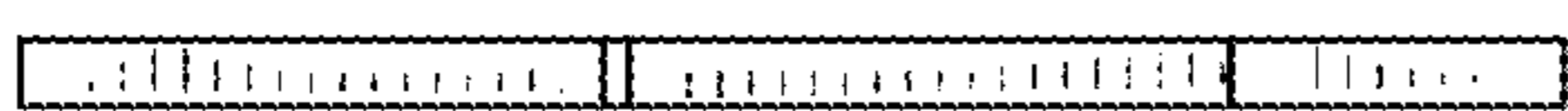


FIG. 11

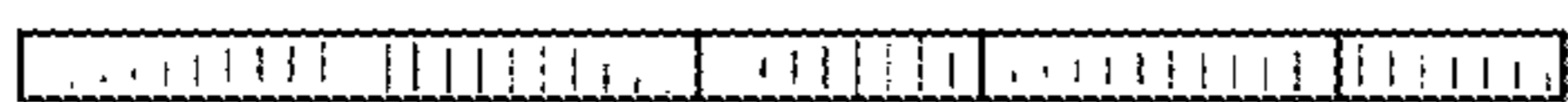


FIG. 12

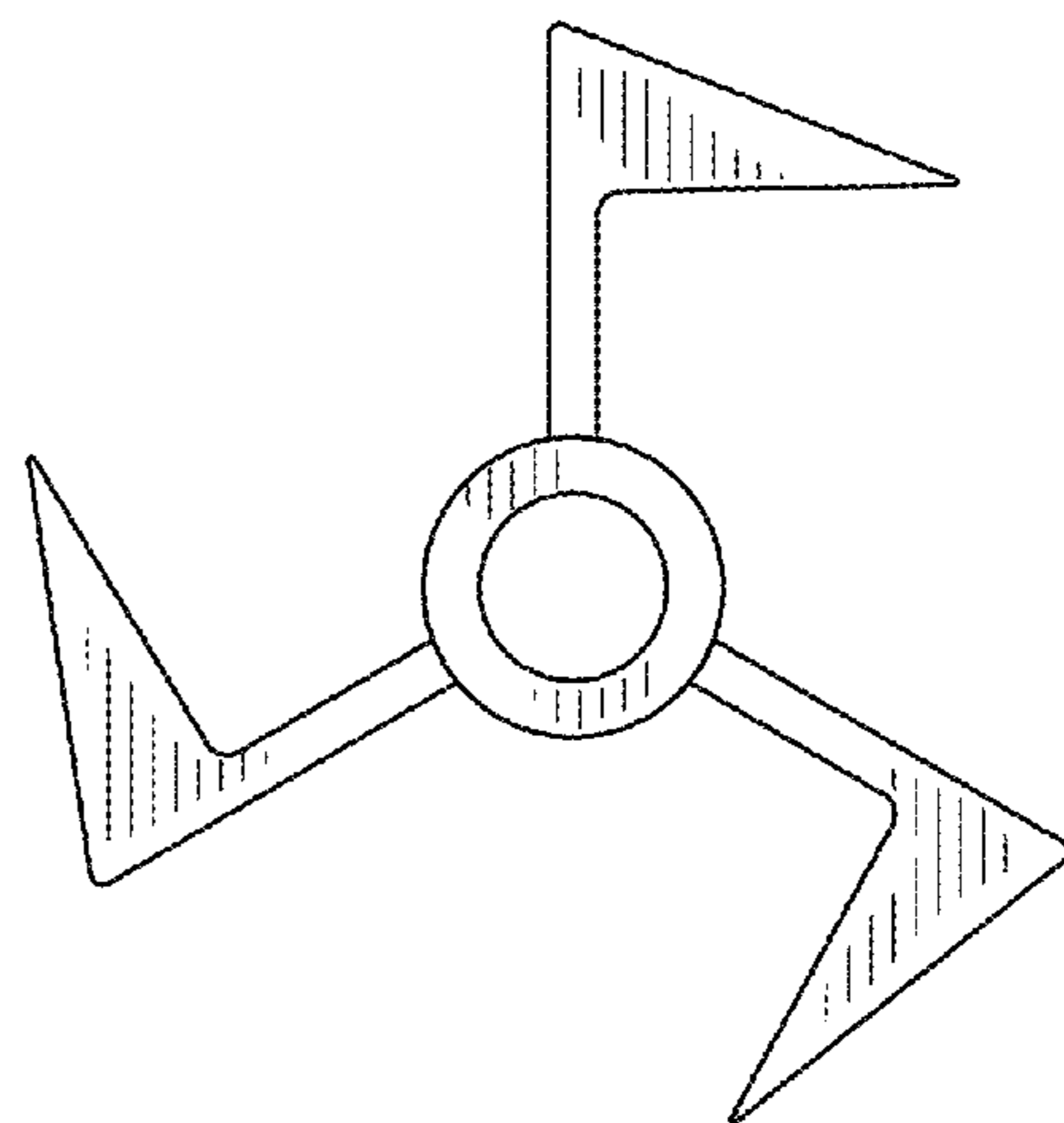


FIG. 13

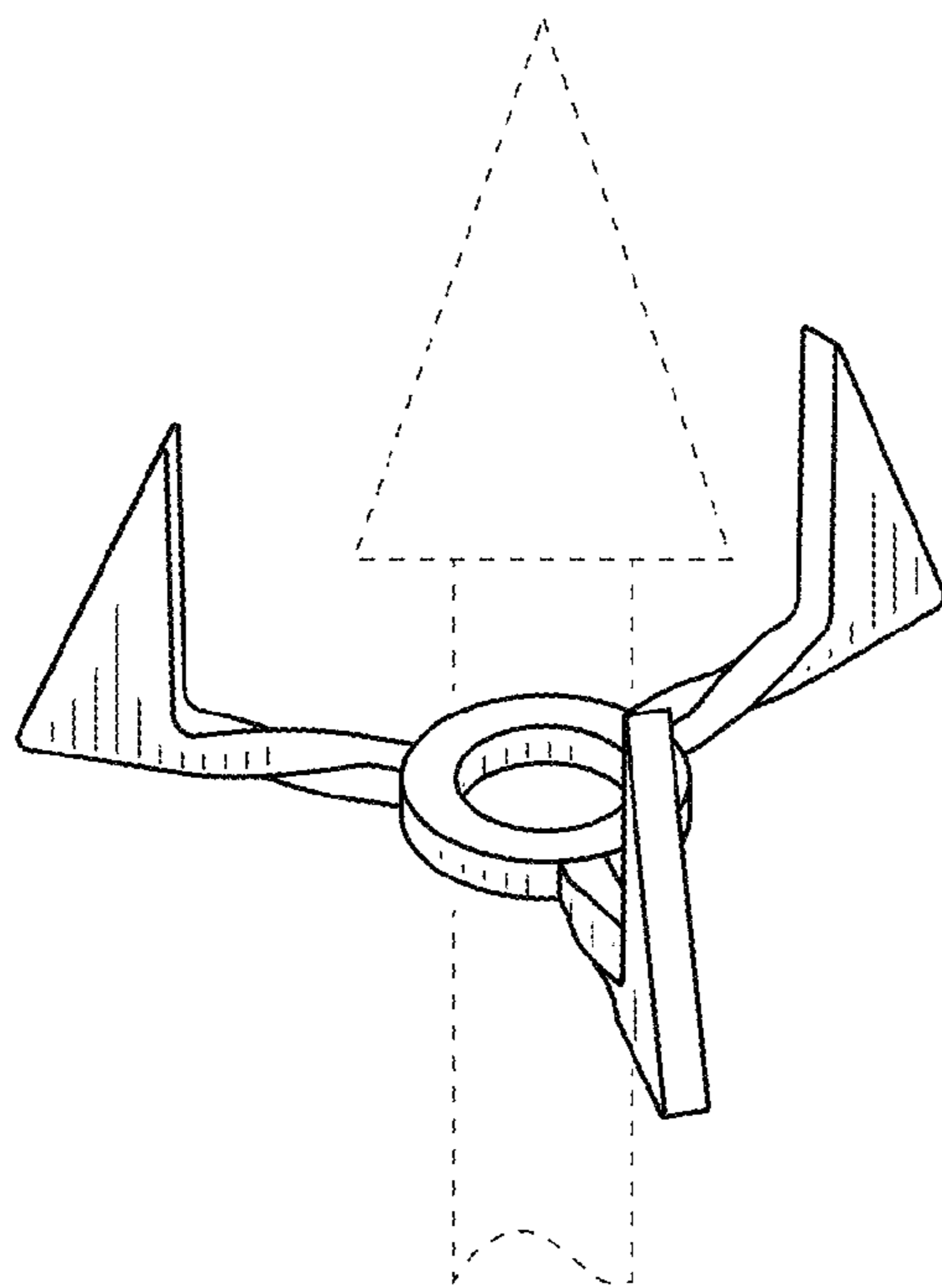


FIG. 14

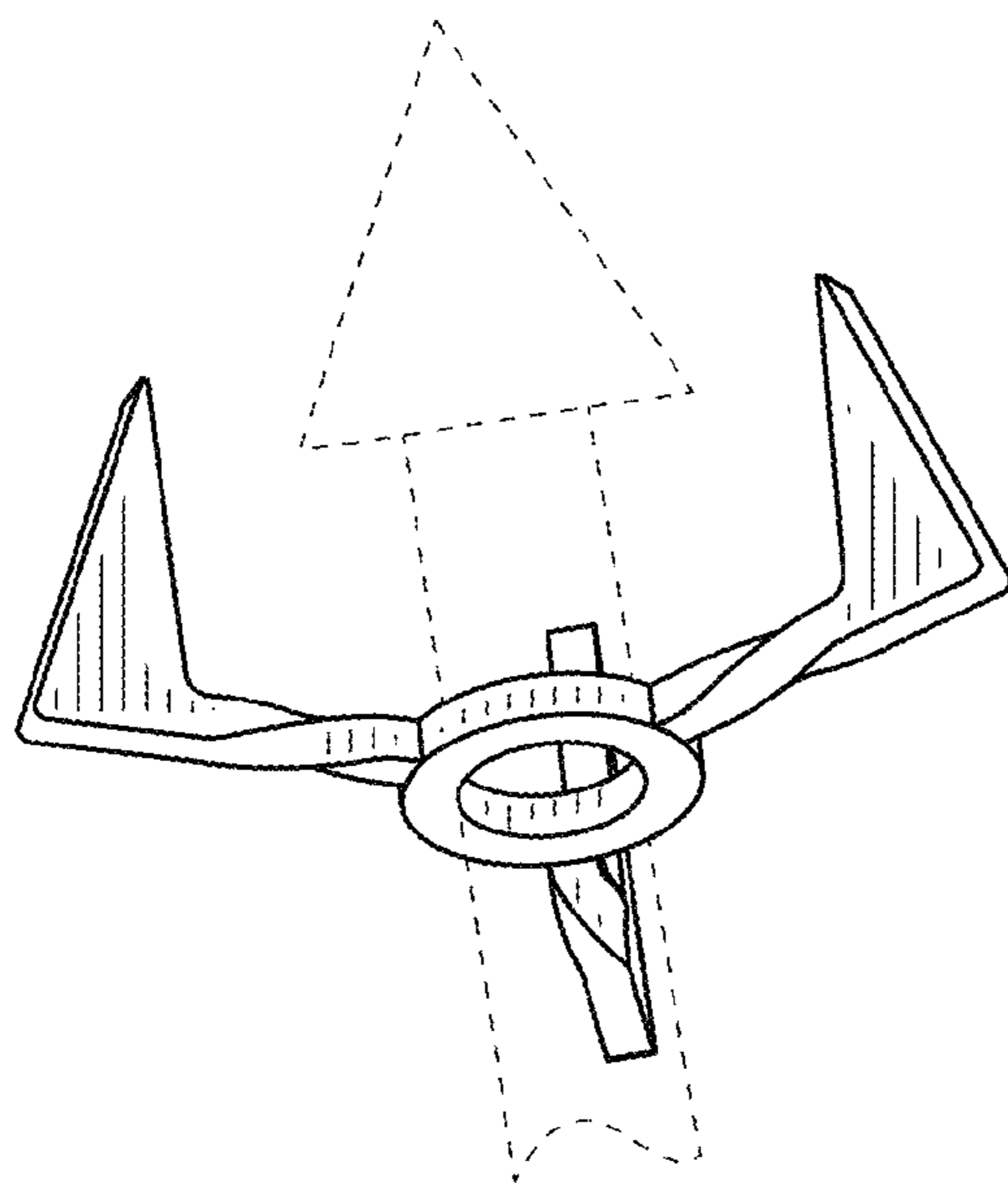


FIG. 15