



US00D743500S

(12) **United States Design Patent**
Pedersen

(10) **Patent No.:** **US D743,500 S**

(45) **Date of Patent:** **** Nov. 17, 2015**

(54) **CHISEL TIP FOR USE WITH EXPANDABLE BROADHEADS**

(71) Applicant: **Out RAGE, LLC**, Proctor, MN (US)

(72) Inventor: **William E. Pedersen**, Duluth, MN (US)

(73) Assignee: **Out RAGE, LLC**, Catersville, GA (US)

(**) Term: **14 Years**

(21) Appl. No.: **29/494,277**

(22) Filed: **Jun. 19, 2014**

Related U.S. Application Data

(62) Division of application No. 29/441,318, filed on Jan. 3, 2013, now Pat. No. Des. 710,962.

(51) **LOC (10) Cl.** **22-01**

(52) **U.S. Cl.**
USPC **D22/107**

(58) **Field of Classification Search**
USPC D22/107, 115, 199; 473/582, 578
CPC F42B 6/02; F42B 6/04; F42B 6/06
See application file for complete search history.

(56) **References Cited**

U.S. PATENT DOCUMENTS

3,824,026 A 7/1974 Gaskins
4,212,463 A 7/1980 Repinski et al.

(Continued)

OTHER PUBLICATIONS

PCT International Search Report (PCT Article 18 and Rules 43 and 44) for PCT/US2013/076119, Mar. 11, 2014.

(Continued)

Primary Examiner — Michael A Pratt

(74) *Attorney, Agent, or Firm* — Covington & Burling LLP; Gregory S. Discher; Grant D. Johnson

(57) **CLAIM**

The ornamental design for a chisel tip for use with expandable broadheads, as shown and described.

DESCRIPTION

FIG. 1 is a front view of a two-bladed expandable broadhead having a shock collar and a three facet chisel tip as shown in FIGS. 5-10;

FIG. 2 is a perspective view of FIG. 1;

FIG. 3 is a front view of a two-bladed expandable broadhead having a shock collar and a four facet chisel tip as shown in FIGS. 11-16;

FIG. 4 is a perspective view of FIG. 3;

FIG. 5 is a side view of a three facet chisel tip showing the spiraling and concave nature of the chisel tip as shown in FIG. 1;

FIG. 6 is a cross section view taken along the line 6-6 as shown in FIG. 5;

FIG. 7 is a cross section view taken along the line 7-7 as shown in FIG. 5;

FIG. 8 is a cross section view taken along the line 8-8 as shown in FIG. 5;

FIG. 9 is a top view of the three facet chisel tip as shown in FIG. 5;

FIG. 10 is a perspective view of the three facet chisel tip as shown in FIG. 5;

FIG. 11 is a side view of a four facet chisel tip showing the spiraling and concave nature of the tip as shown in FIG. 3;

FIG. 12 is a cross section view taken along the line 12-12 as shown in FIG. 11;

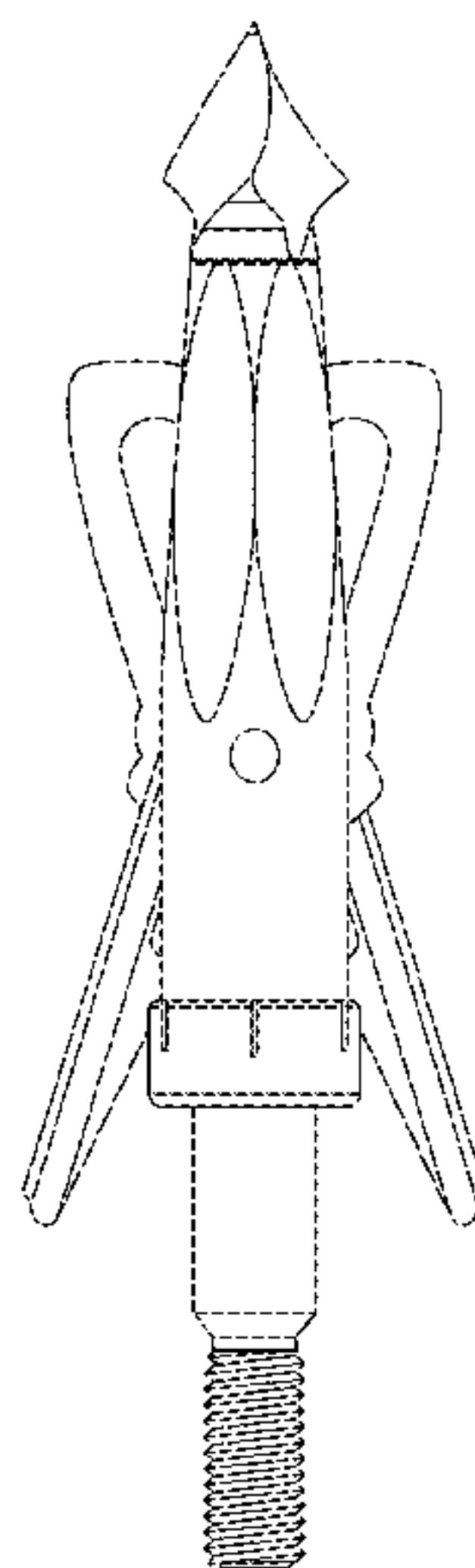
FIG. 13 is a cross section view taken along the line 13-13 as shown in FIG. 11;

FIG. 14 is a cross section view taken along the line 14-14 as shown in FIG. 11;

FIG. 15 is a top view of the four facet chisel tip as shown in FIG. 11; and,

FIG. 16 is a perspective view of the four facet chisel tip as shown in FIG. 11.

1 Claim, 4 Drawing Sheets



(56)

References Cited

U.S. PATENT DOCUMENTS

6,077,179	A	6/2000	Liechty, II
6,258,000	B1	7/2001	Liechty, II
6,290,903	B1	9/2001	Grace, Jr. et al.
6,306,053	B1	10/2001	Liechty, II
6,322,464	B1	11/2001	Sestak
6,517,454	B2	2/2003	Barrie et al.
6,540,628	B1	4/2003	Musacchia, Jr.
6,595,881	B1	7/2003	Grace, Jr. et al.
6,626,776	B2	9/2003	Barrie et al.
6,887,172	B2	5/2005	Arasmith
6,910,979	B2	6/2005	Barrie et al.
7,422,533	B1	9/2008	Johnson
D583,897	S	12/2008	Ward
7,771,297	B2	8/2010	Kuhn
7,951,023	B2	5/2011	Perkins, Jr.
8,197,367	B2	6/2012	Pulkrabek et al.
8,210,971	B1	7/2012	Fulton
8,545,349	B1	10/2013	Budris et al.

2002/0055404	A1	5/2002	Liechty
2002/0151393	A1	10/2002	Liechty
2007/0037640	A1	2/2007	Rager
2007/0161438	A1	7/2007	Fulton
2008/0254925	A1	10/2008	Odabachian et al.
2010/0113196	A1	5/2010	Jones
2010/0173734	A1*	7/2010	Robbins 473/584
2012/0165142	A1	6/2012	Grace
2012/0178560	A1*	7/2012	Grace et al. 473/583
2014/0187364	A1*	7/2014	Hand 473/583
2014/0194234	A1*	7/2014	Miles 473/583

OTHER PUBLICATIONS

PCT Written Opinion of the International Searching Authority (PCT Rule43bis1) for PCT/US2013/076119, Mar. 11, 2014.
PCT International Search Report (PCT Article 18 and Rules 43 and 44) for PCT/US2013/075782, Mar. 19, 2014.
PCT Written Opinion of the International Searching Authority (PCT Rule 43bis1) for PCT/US2013/075782, Mar. 19, 2014.

* cited by examiner

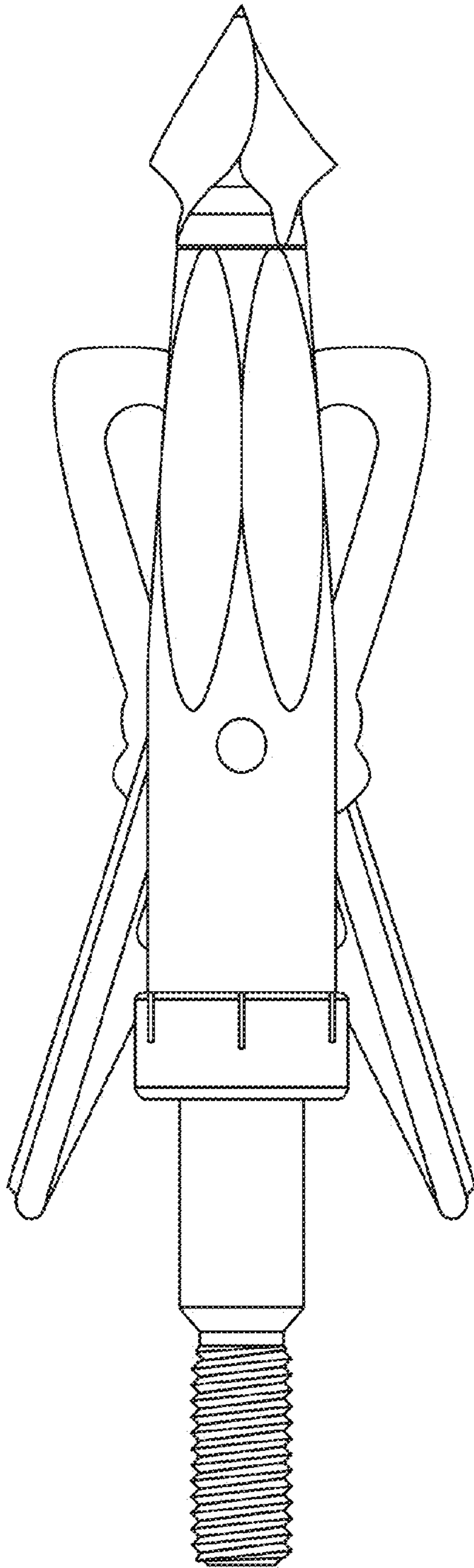


FIG. 1

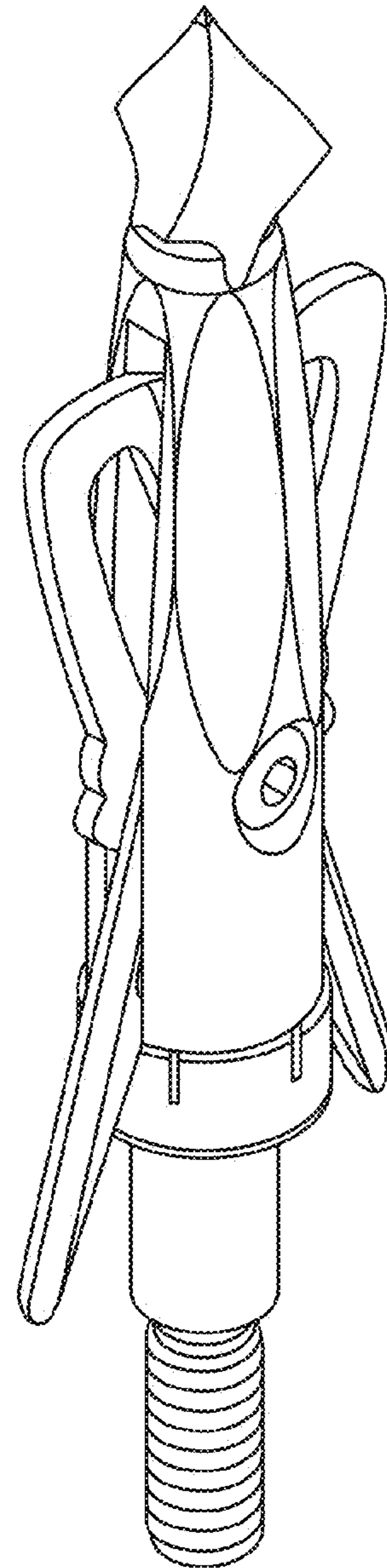


FIG. 2

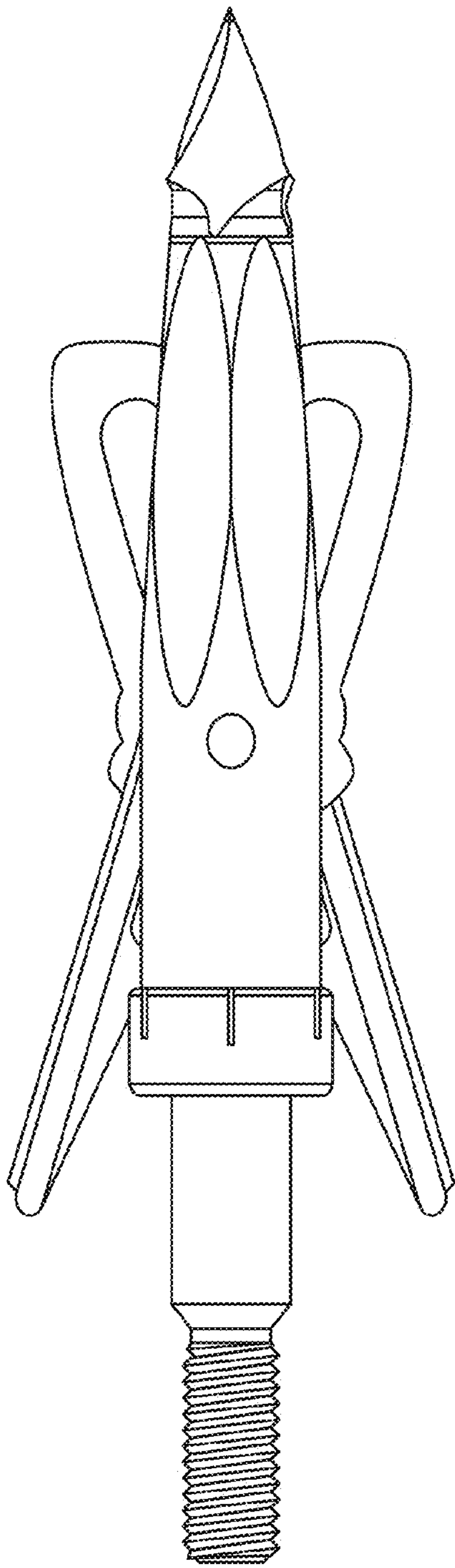


FIG. 3

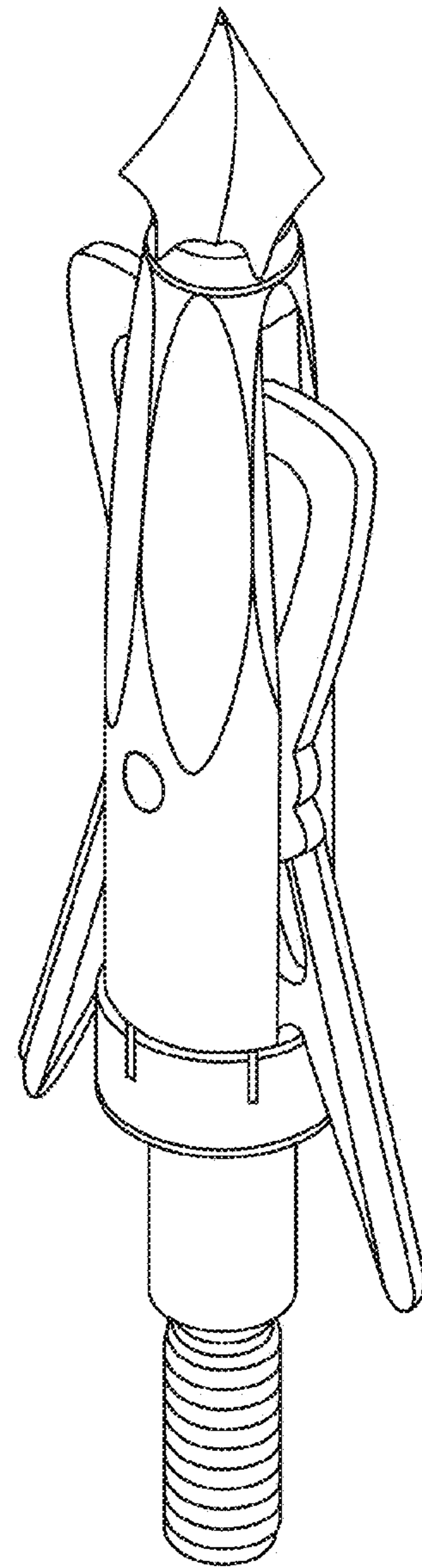


FIG. 4

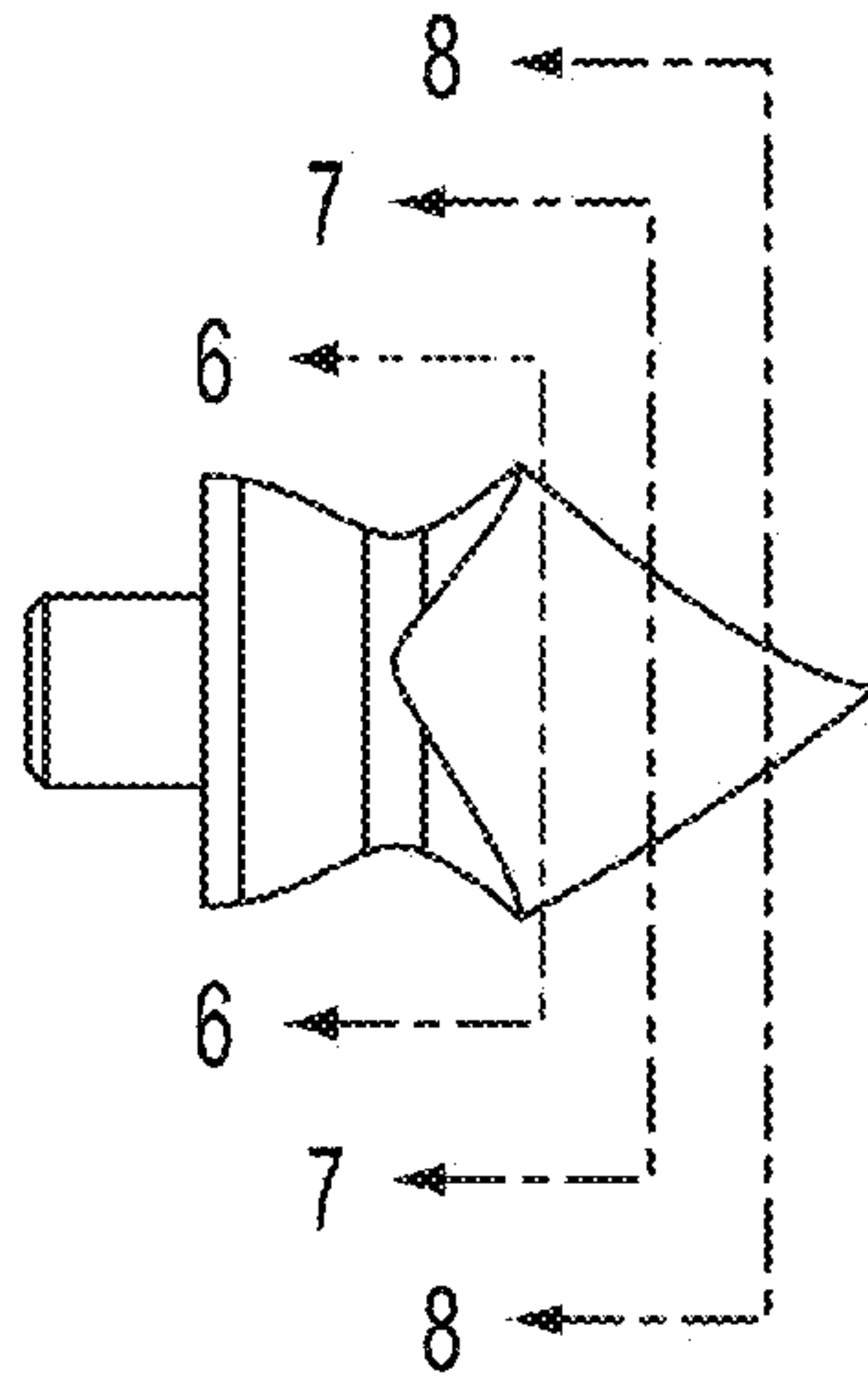


FIG. 5

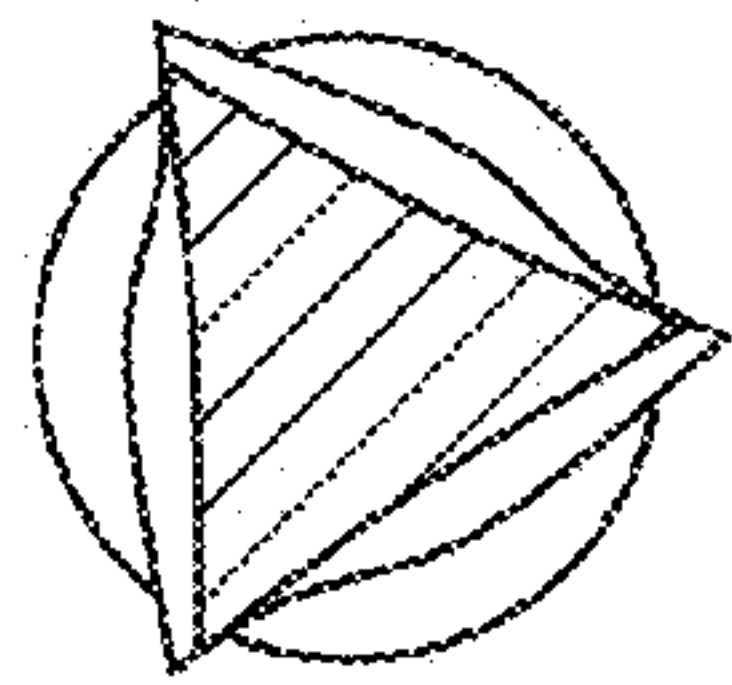


FIG. 6

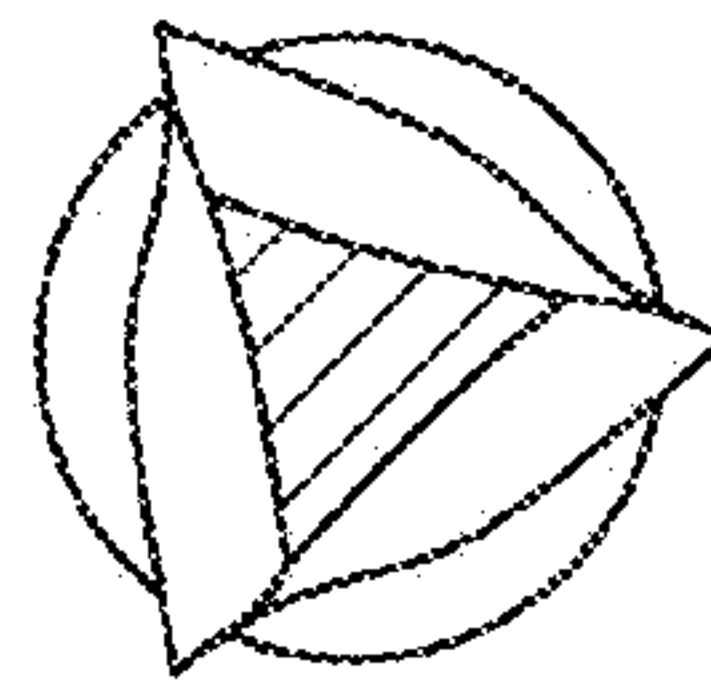


FIG. 7

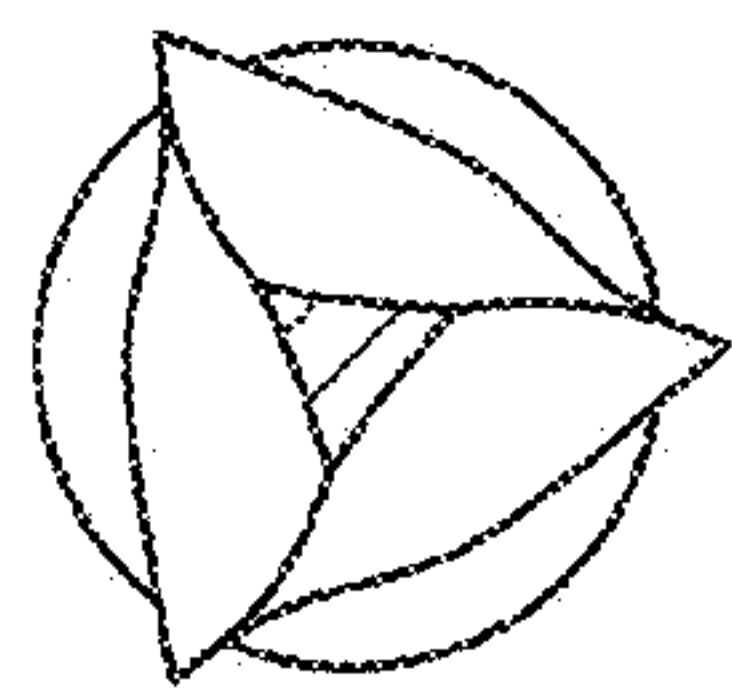


FIG. 8

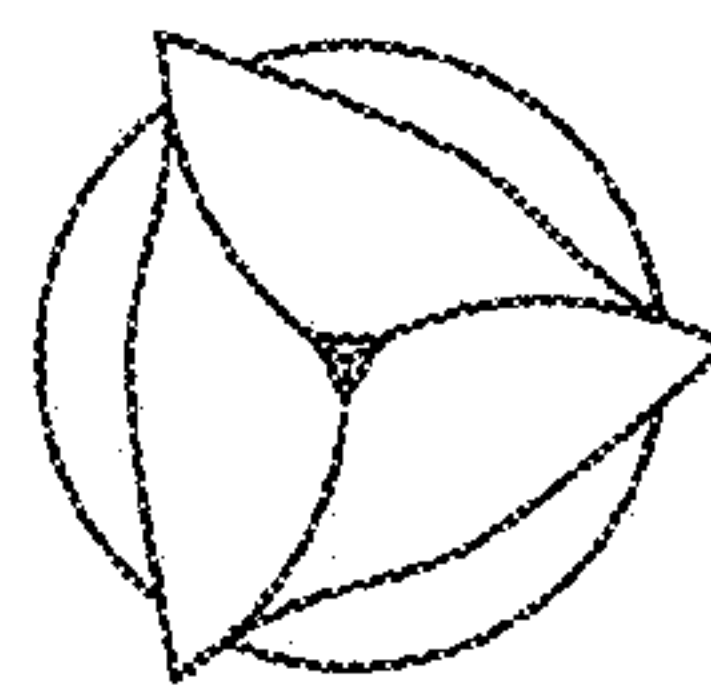


FIG. 9



FIG. 10

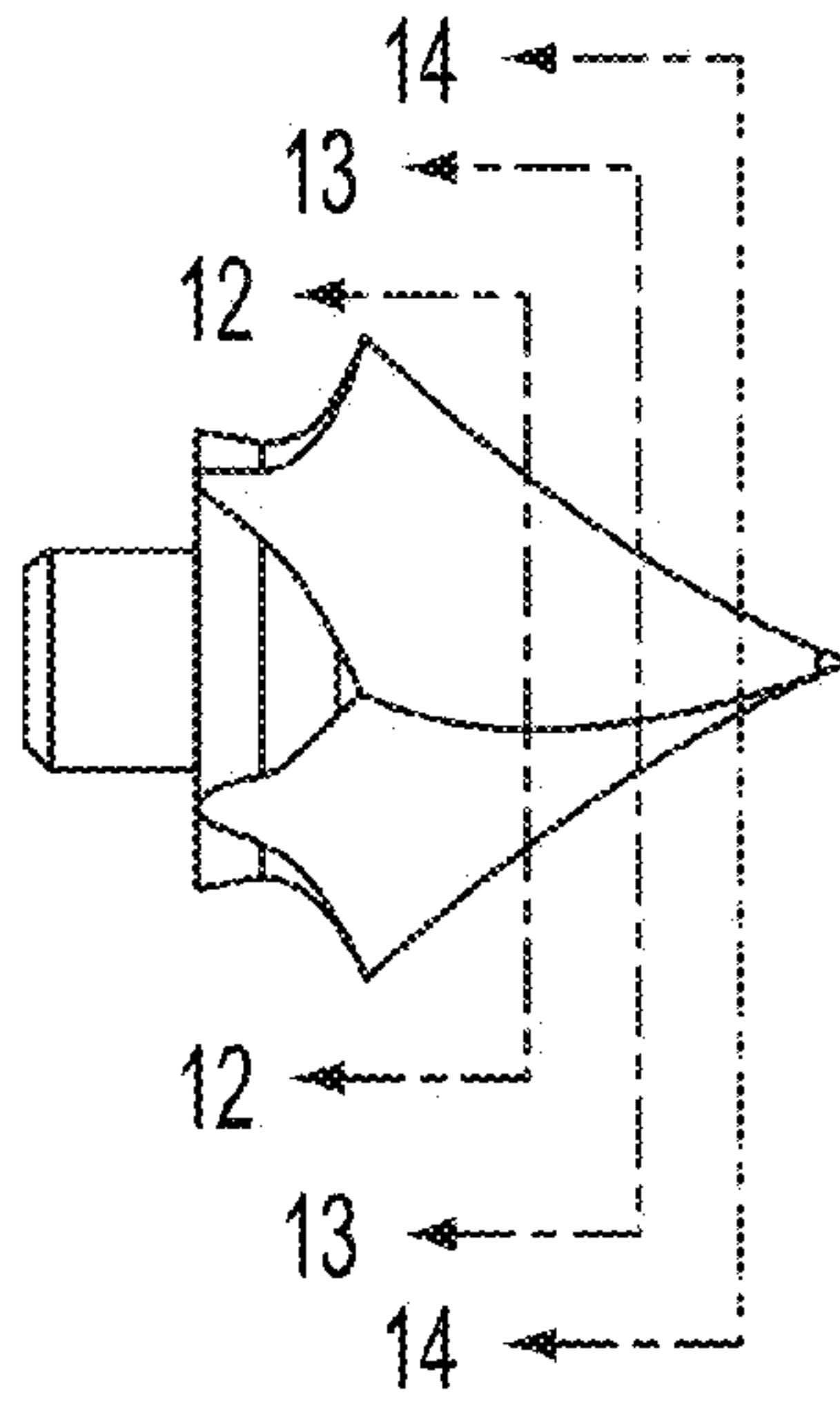


FIG. 11

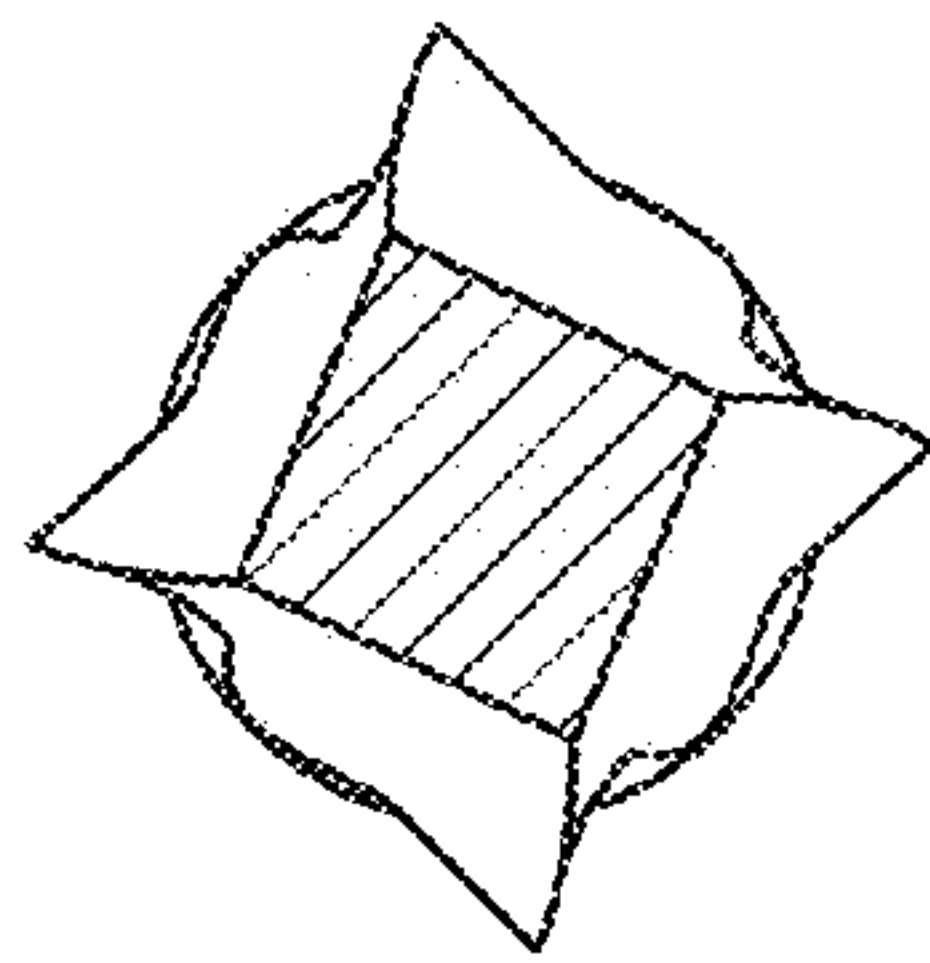


FIG. 12

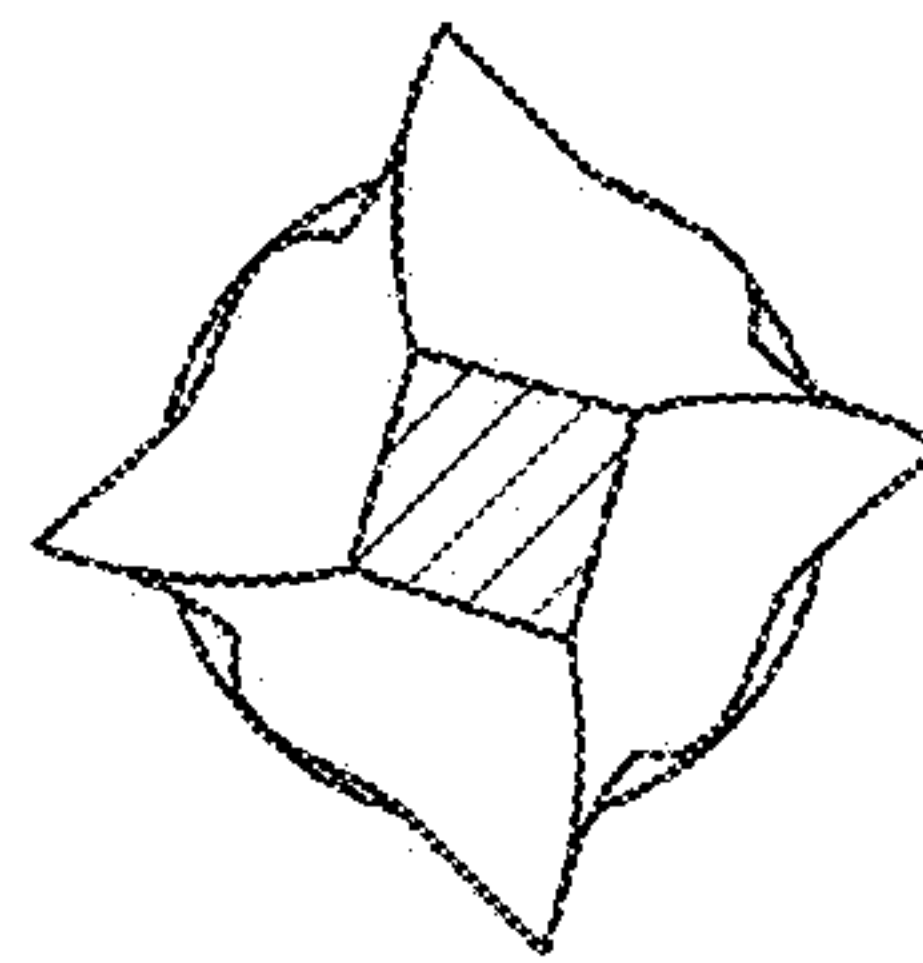


FIG. 13

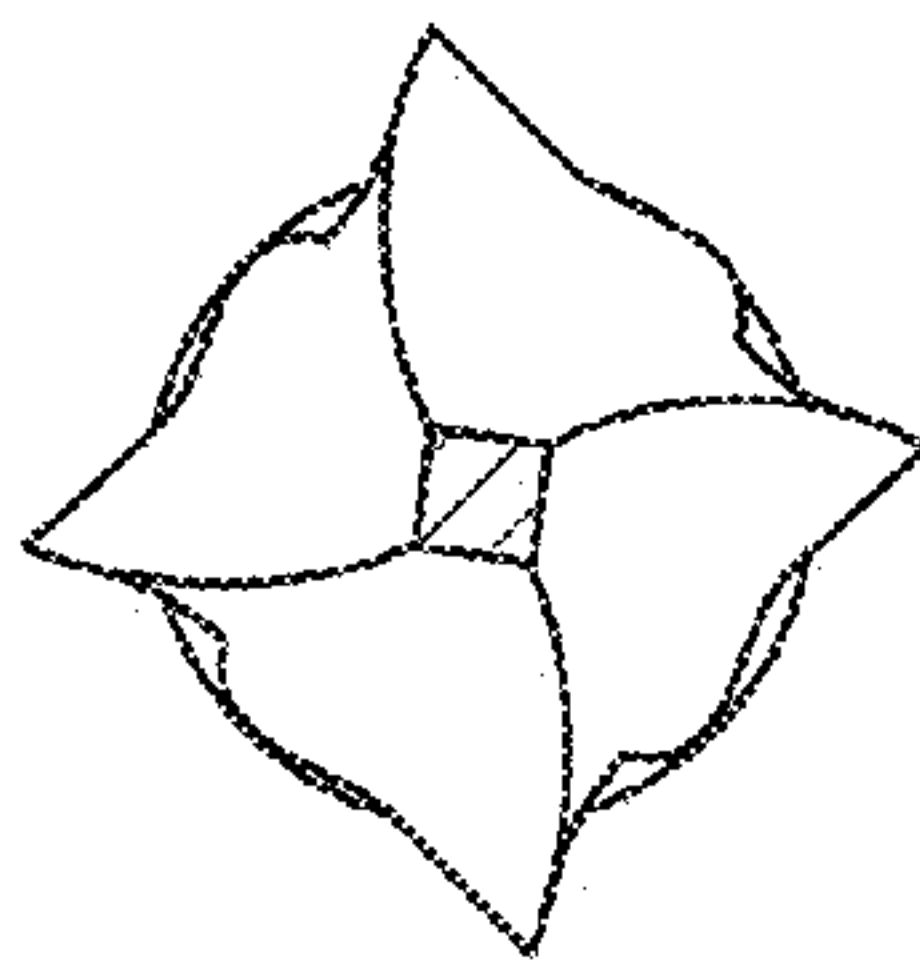


FIG. 14

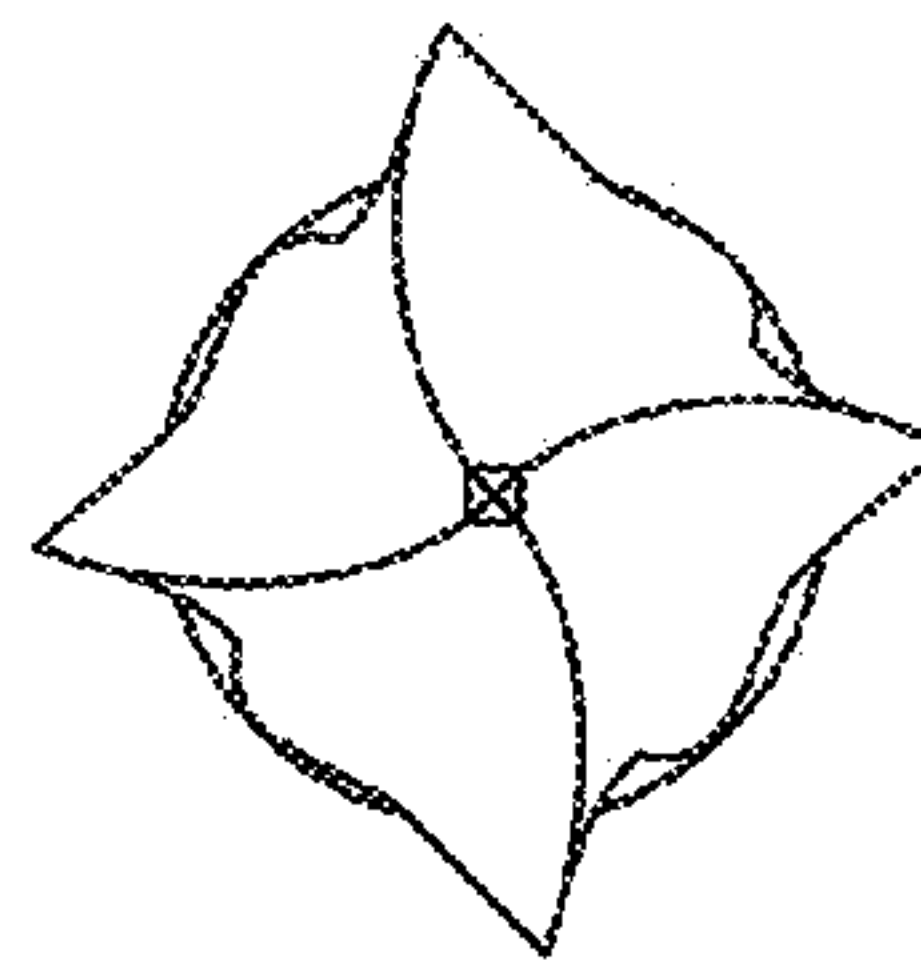


FIG. 15



FIG. 16