



US00D743498S

(12) **United States Design Patent**
Fens

(10) **Patent No.:** **US D743,498 S**
(45) **Date of Patent:** **** Nov. 17, 2015**

- (54) **MOTORCYCLE TIRE SWING**
- (71) Applicant: **DDI, Inc.**, Dubuque, IA (US)
- (72) Inventor: **Ryan J. Fens**, Dubuque, IA (US)
- (73) Assignee: **M&M Sales Enterprises, Inc.**,
Dubuque, IA (US)
- (**) Term: **14 Years**
- (21) Appl. No.: **29/452,627**
- (22) Filed: **Apr. 18, 2013**
- (51) **LOC (10) Cl.** **21-03**
- (52) **U.S. Cl.**
USPC **D21/825**
- (58) **Field of Classification Search**
USPC D21/811, 814, 823-825
CPC A63G 9/00; A63G 9/10
See application file for complete search history.

D340,103 S *	10/1993	Nolan	D21/824
D367,099 S *	2/1996	Coddington et al.	D21/823
D623,715 S *	9/2010	Fens	D21/825
D661,361 S *	6/2012	Fens	D21/825
D672,002 S *	12/2012	Fens	D21/825

OTHER PUBLICATIONS

Motorcycle Tire Swing: Outdoor Tire Swings, Kids Tree Swings—Tire Swings, http://www.bestpricetoys.com/product_info.php?products_id=173&cPath=46_108.
The Stinger—Recycled Creations, <http://www.recycledcreations.mybigcommerce.com/the-stinger/>.

* cited by examiner

Primary Examiner — Mitchell Siegel
(74) *Attorney, Agent, or Firm* — Rathe Lindenbaum LLP

(57) **CLAIM**

The ornamental design for a motorcycle tire swing, as shown and described.

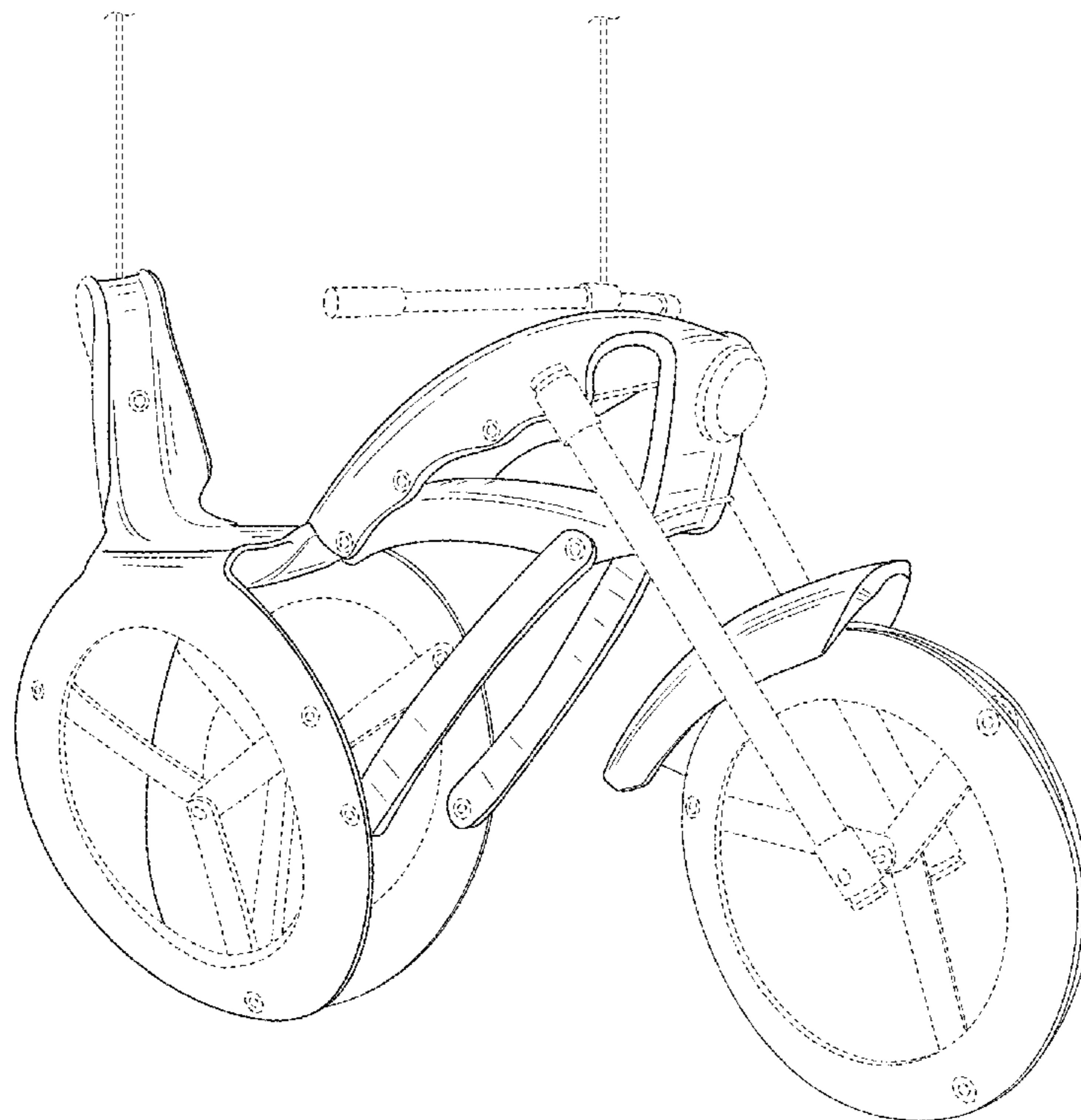
DESCRIPTION

FIG. 1 is a perspective view of a motorcycle tire swing;
FIG. 2 is a right side view thereof, the left side being a mirror image thereof;
FIG. 3 is a front view thereof;
FIG. 4 is a rear view thereof;
FIG. 5 is a top view thereof; and,
FIG. 6 is a bottom view thereof.
The broken line showing is included for the purpose of illustrating and forms no part of the claimed design.

1 Claim, 6 Drawing Sheets

(56) **References Cited**
U.S. PATENT DOCUMENTS

D138,371 S *	7/1944	Churchill	D21/825
D148,551 S *	2/1948	MacKay	D21/825
D226,489 S *	3/1973	Kimble	D21/824
D252,413 S *	7/1979	Knight et al.	D21/825
D254,816 S *	4/1980	Sloan	D21/420
D260,544 S *	9/1981	Ament et al.	D21/825
D272,170 S *	1/1984	Noller	D21/825
D275,508 S *	9/1984	Osterman	D21/825



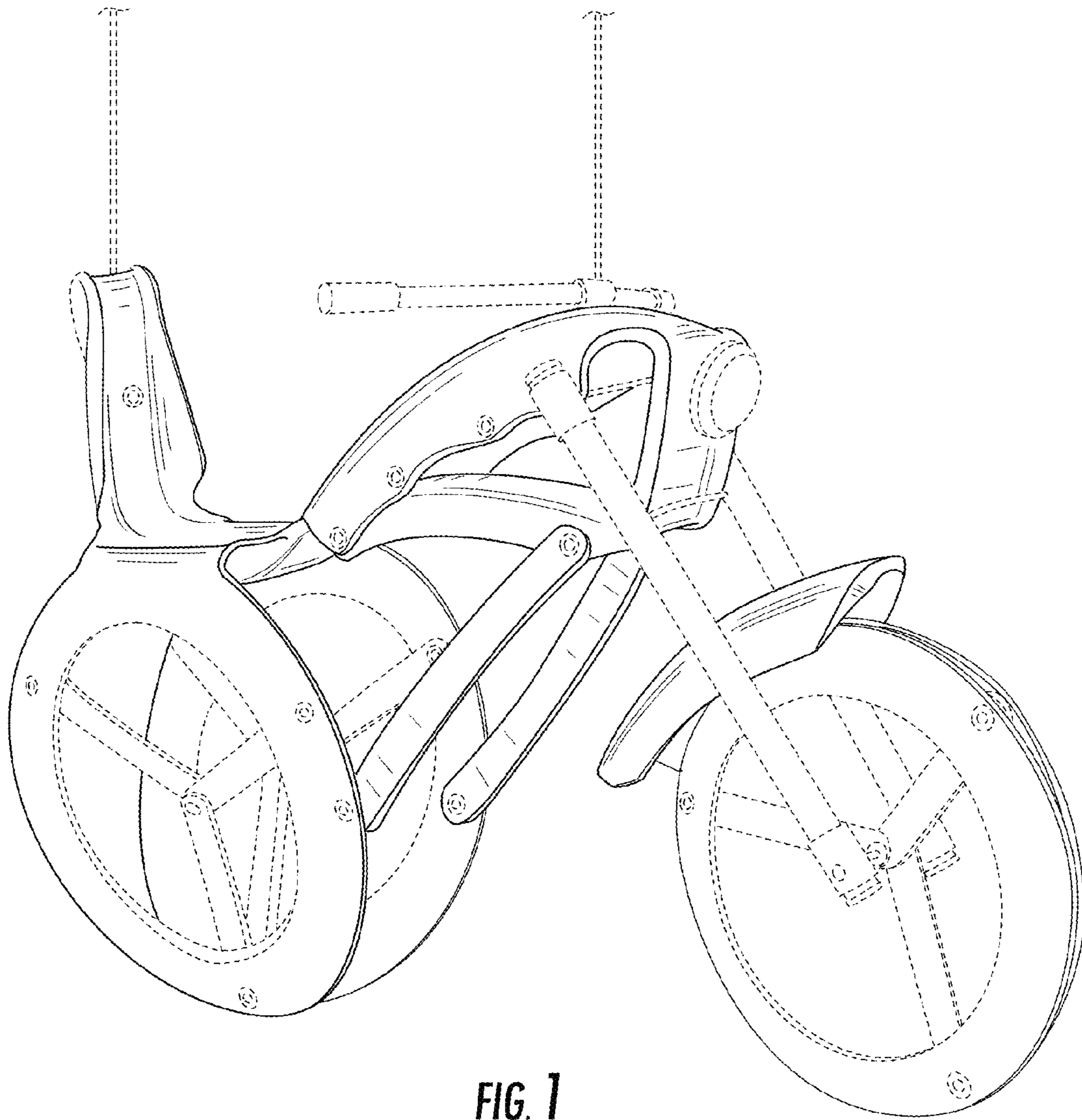


FIG. 1

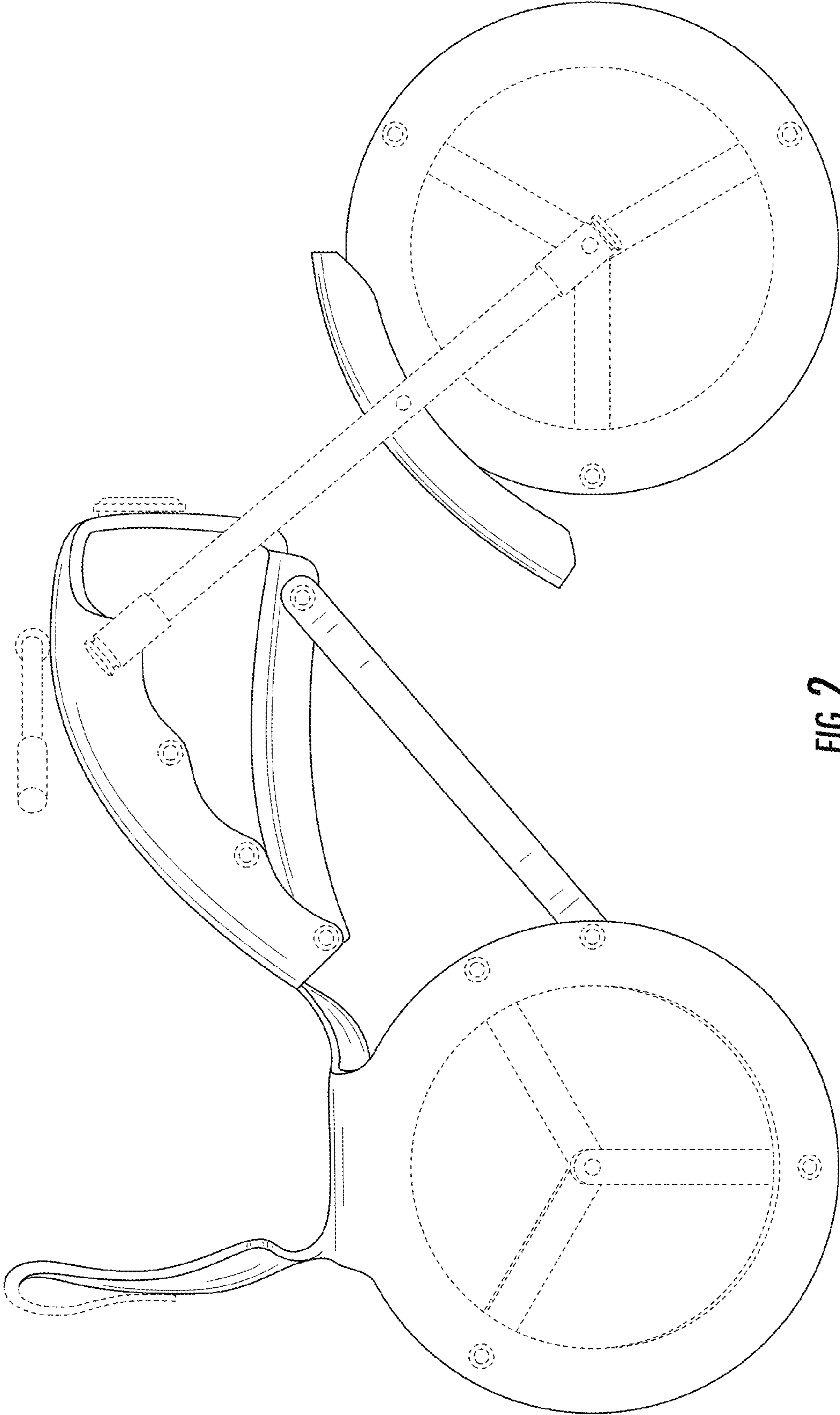


FIG. 2

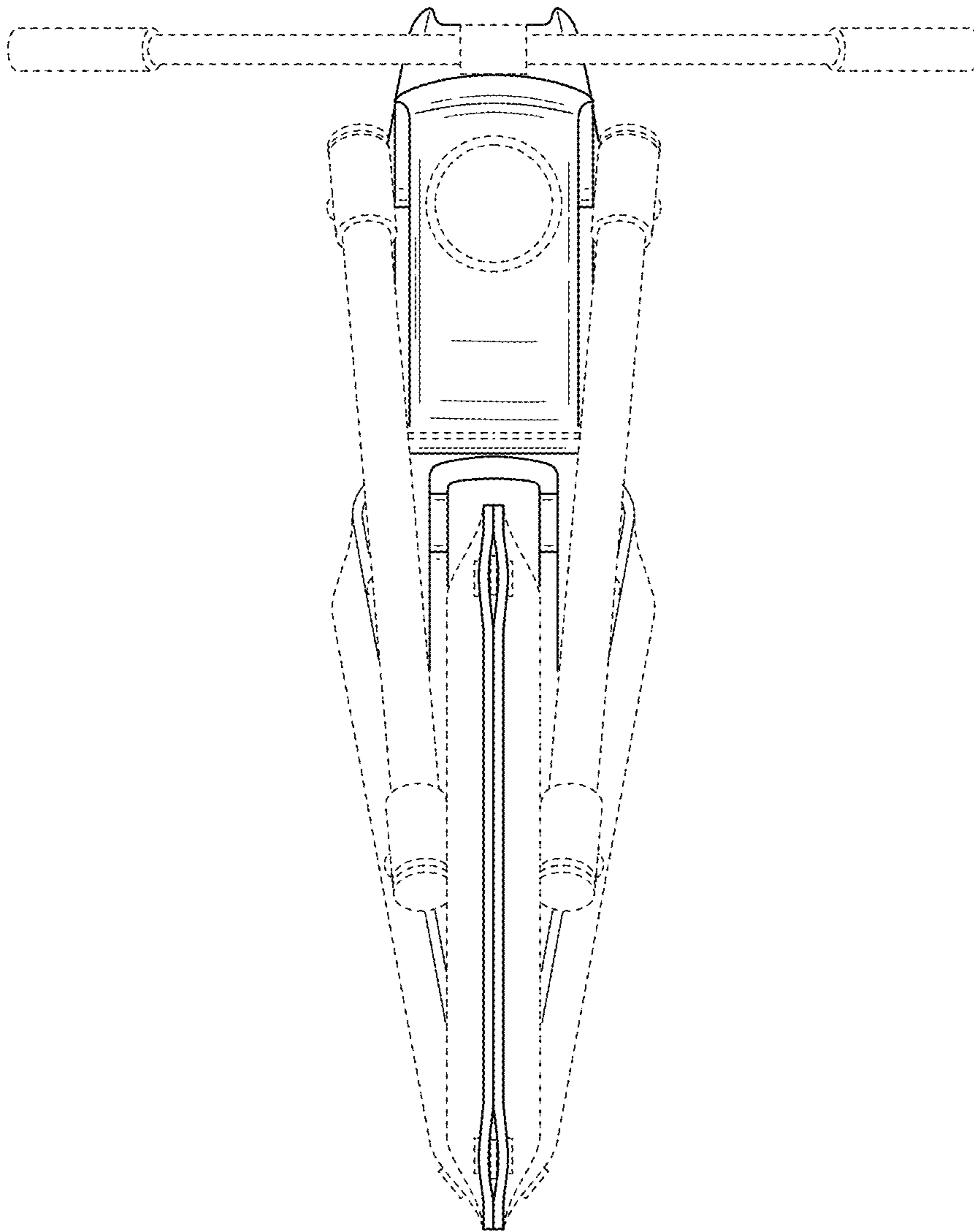


FIG. 3

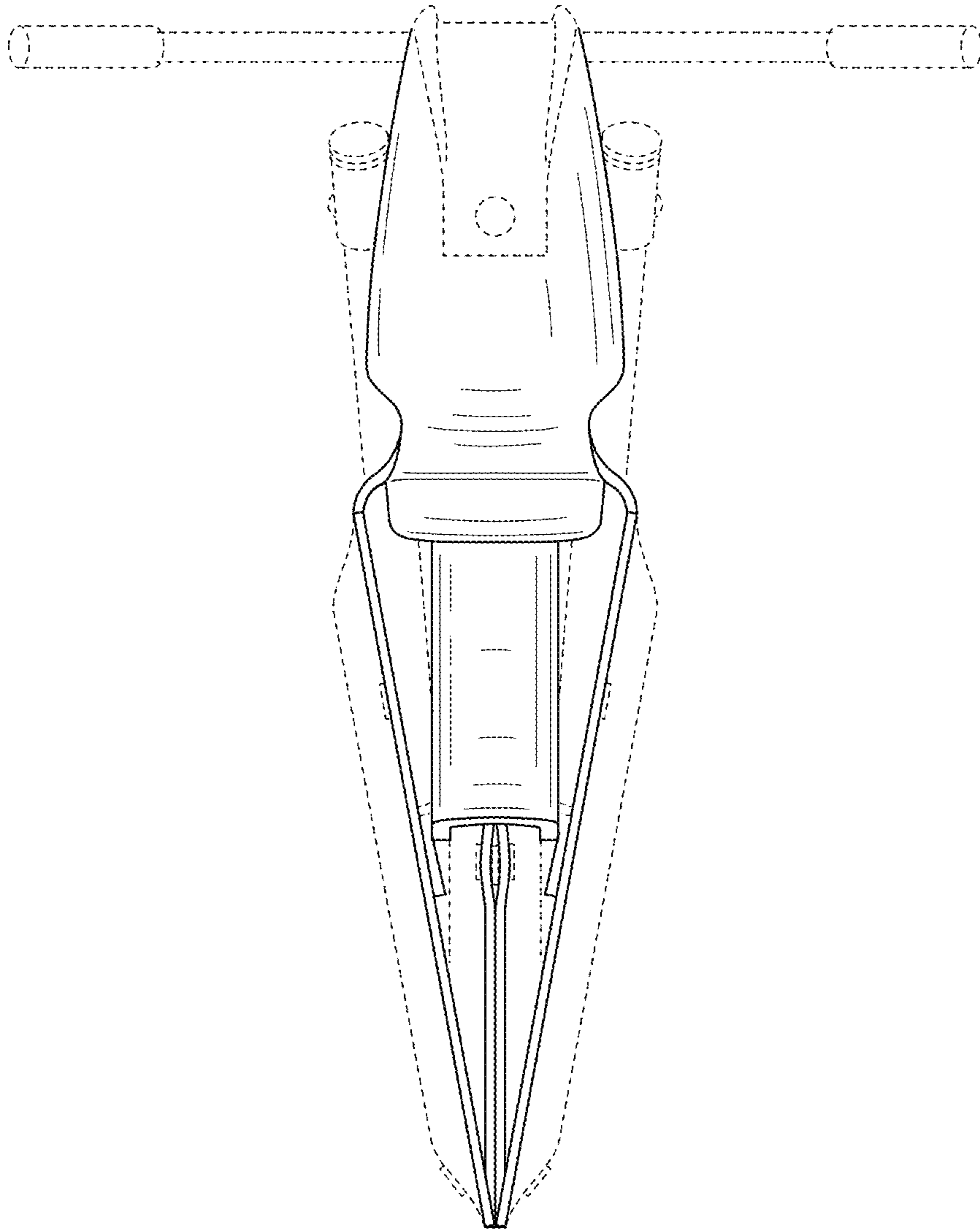


FIG. 4

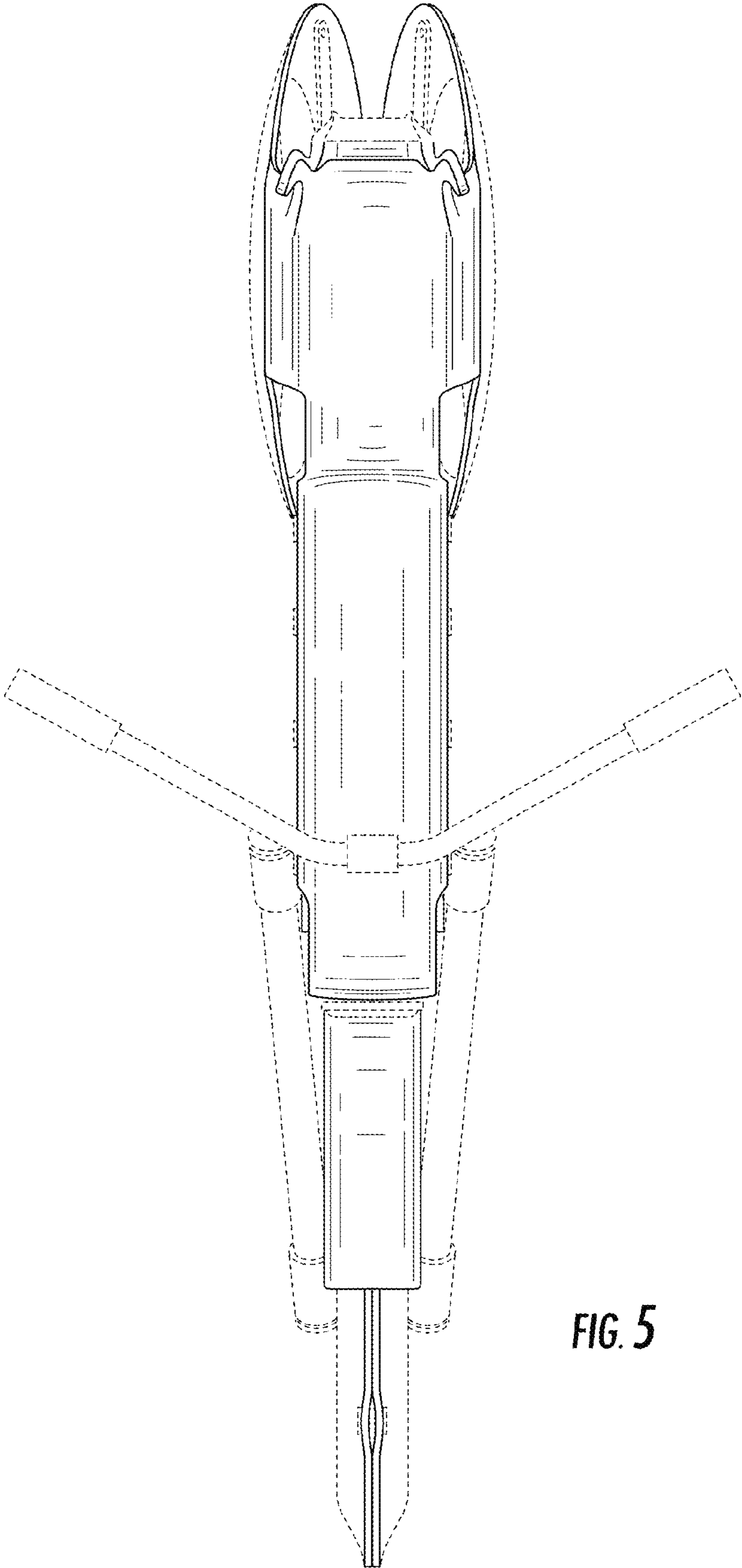


FIG. 5

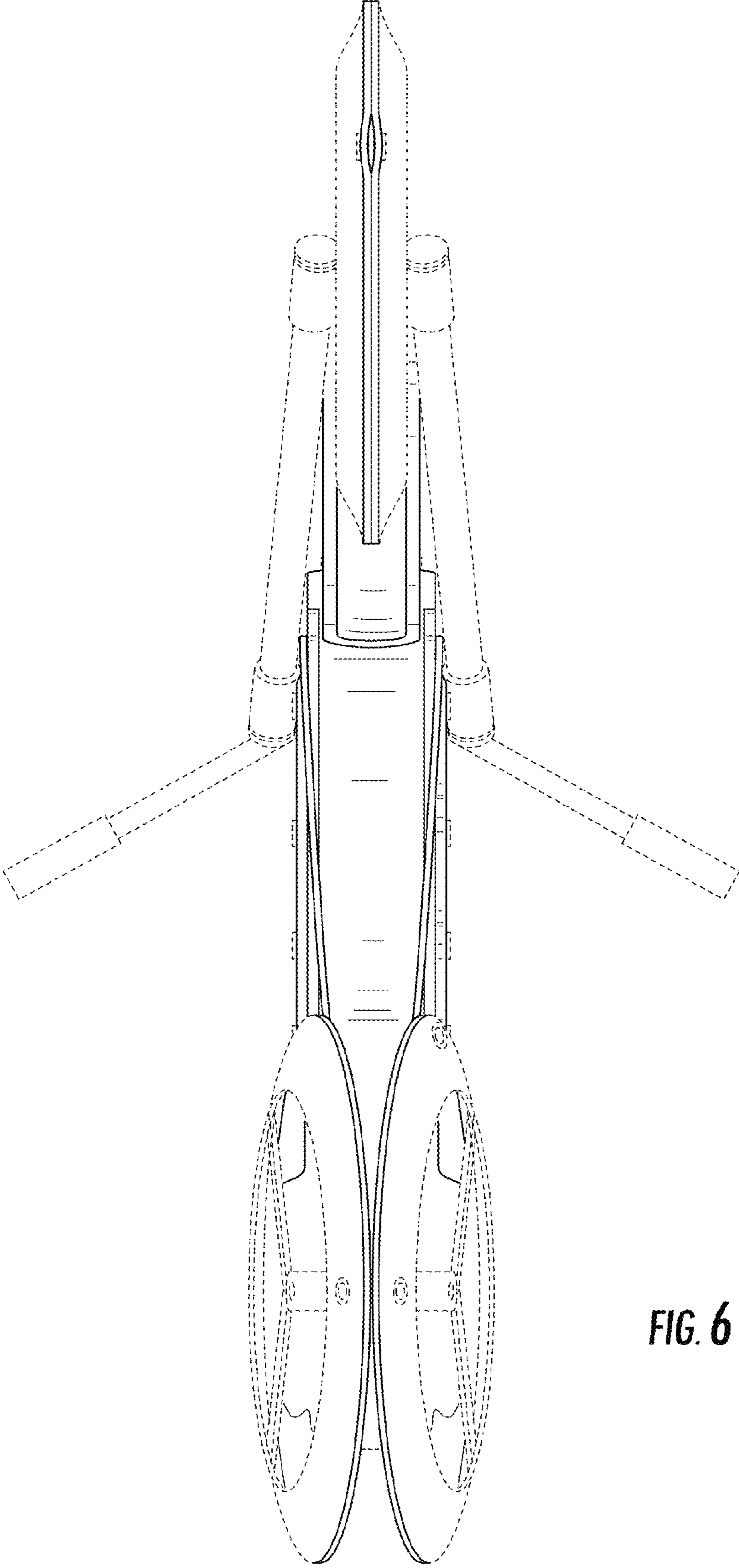


FIG. 6