



US00D743495S

(12) **United States Design Patent**
Ho et al.

(10) **Patent No.:** **US D743,495 S**

(45) **Date of Patent:** **** Nov. 17, 2015**

(54) **RIDING EXERCISE MACHINE**

(71) Applicants: **Wei-Teh Ho**, Taipei (TW); **Willy Wei Yu Ho**, Taipei (TW)

(72) Inventors: **Wei-Teh Ho**, Taipei (TW); **Willy Wei Yu Ho**, Taipei (TW)

(**) Term: **14 Years**

(21) Appl. No.: **29/509,266**

(22) Filed: **Nov. 14, 2014**

(51) **LOC (10) Cl.** **21-02**

(52) **U.S. Cl.**
USPC **D21/688**

(58) **Field of Classification Search**
USPC D6/552; D21/686, 676, 687, 662, 674, D21/666, 673, 690, 679, 694, 691, 675, D21/688; 211/85.7; 206/579; 135/122; 52/83, 27; 482/145, 23, 2, 72, 57, 62, 482/60, 142, 104, 131, 96, 132, 135, 140, 482/121, 130, 95, 92, 73, 144, 143, 907, 482/128, 108, 908, 94, 106, 97, 123, 126, 482/38, 41, 133, 137, 35, 101, 147, 115, 482/138, 91, 70, 110, 52, 71, 8; 136/251; 290/55; 114/264, 382; 472/128; 606/241, 244; 108/4; 5/607, 624; 601/24, 242, 23; 248/300; 29/428
CPC A63B 21/0552; A63B 21/1492; A63B 22/001; A63B 23/0211; A63B 2208/0204; A63B 21/154

See application file for complete search history.

(56) **References Cited**

U.S. PATENT DOCUMENTS

D268,194	S	*	3/1983	Smith	D21/674
D268,278	S	*	3/1983	Smith	D21/674
D277,304	S	*	1/1985	Smith et al.	D21/674
D283,530	S	*	4/1986	Smith et al.	D21/674
D287,388	S	*	12/1986	Cheng	D21/674
D291,823	S	*	9/1987	Smith et al.	D21/674
D337,799	S	*	7/1993	Cutter et al.	D21/674
D362,283	S	*	9/1995	Lee	D21/674
5,649,885	A	*	7/1997	Liljenquist et al.	482/95
D404,444	S	*	1/1999	Sands et al.	D21/676
6,926,647	B1	*	8/2005	Huang et al.	482/72
D525,324	S	*	7/2006	Siwiec	D21/674
7,141,008	B2	*	11/2006	Krull et al.	482/70
2014/0011644	A1	*	1/2014	Ho et al.	482/96

* cited by examiner

Primary Examiner — Robert M Spear

Assistant Examiner — Ryan Harvey

(74) *Attorney, Agent, or Firm* — Blakely Sokoloff Taylor Zafman LLP

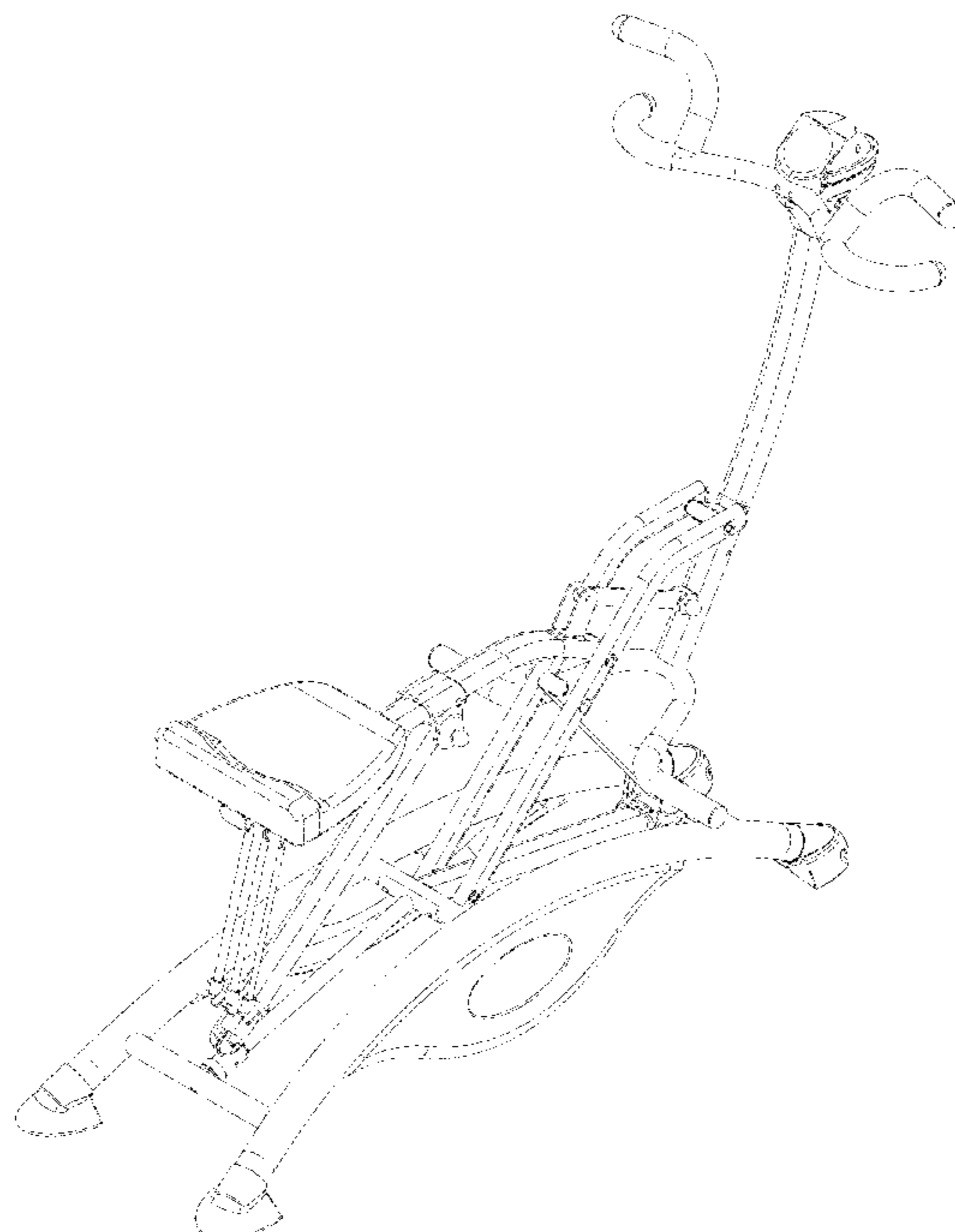
(57) **CLAIM**

The ornamental design for an riding exercise machine, as shown and described.

DESCRIPTION

FIG. 1 is a perspective view showing the new design for an riding exercise machine device;
FIG. 2 is a front view thereof;
FIG. 3 is a rear view thereof;
FIG. 4 is a right side view thereof;
FIG. 5 is a left side view thereof;
FIG. 6 is a top view thereof; and,
FIG. 7 is a bottom view thereof.

1 Claim, 7 Drawing Sheets



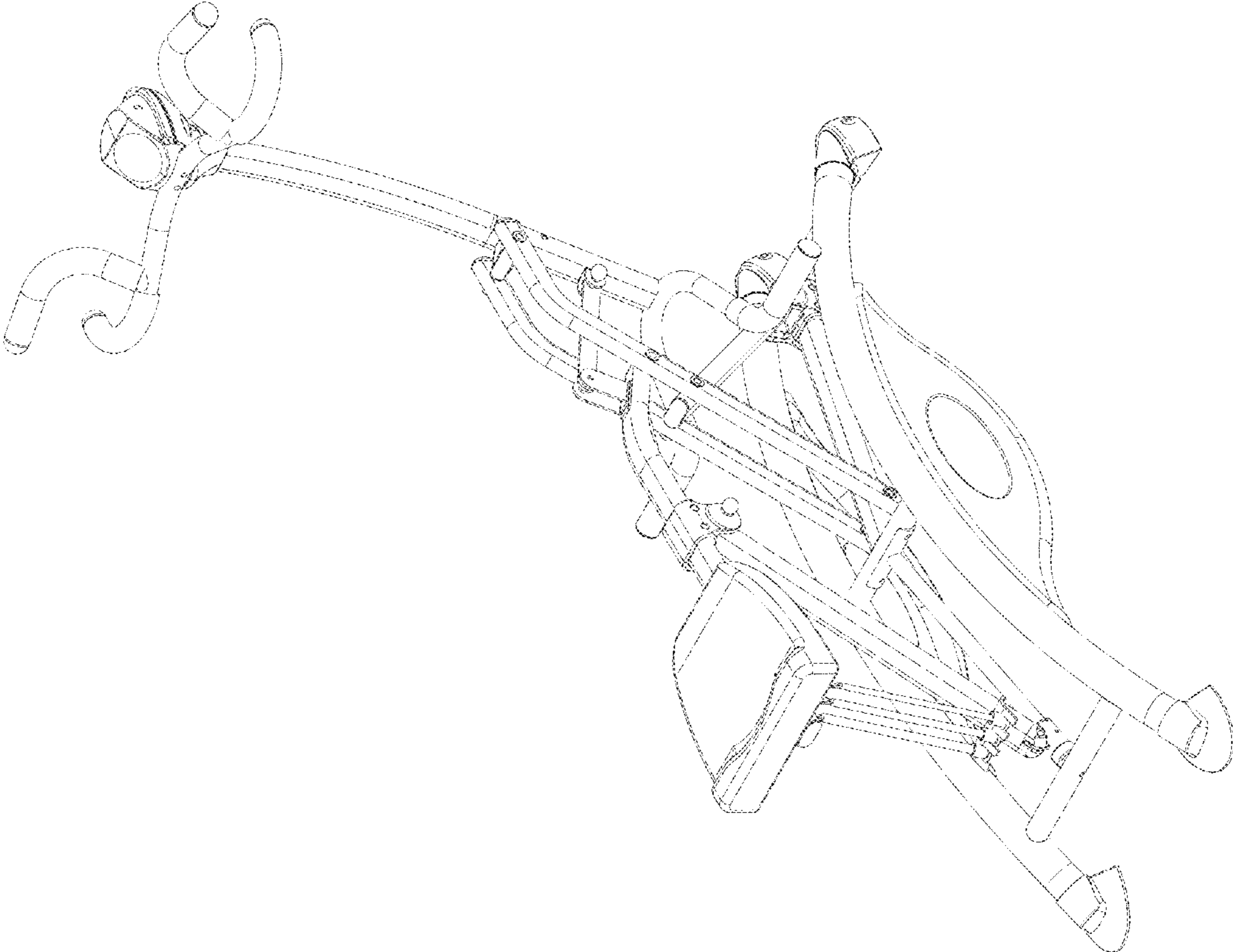


Fig. 1

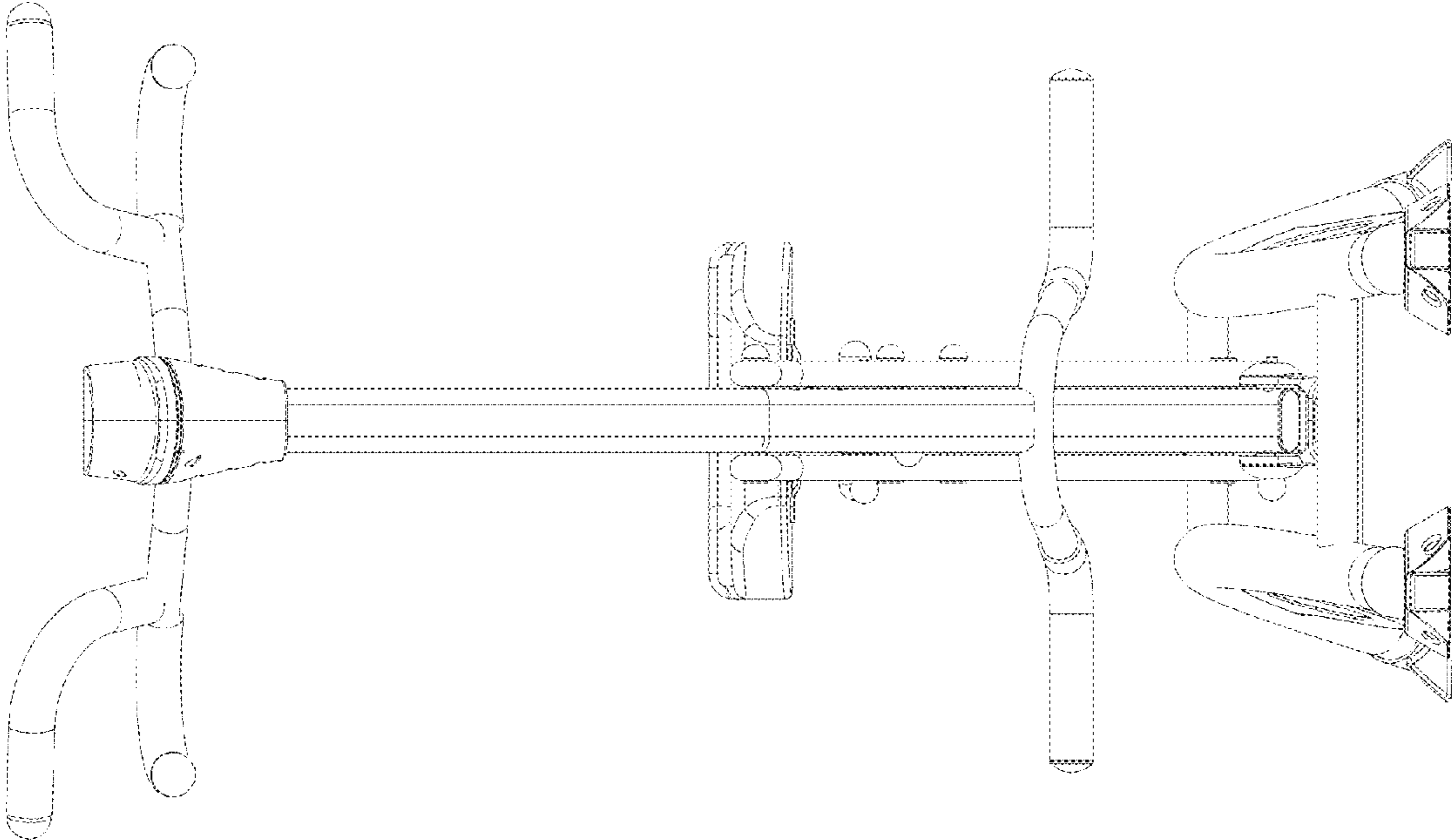


Fig. 2

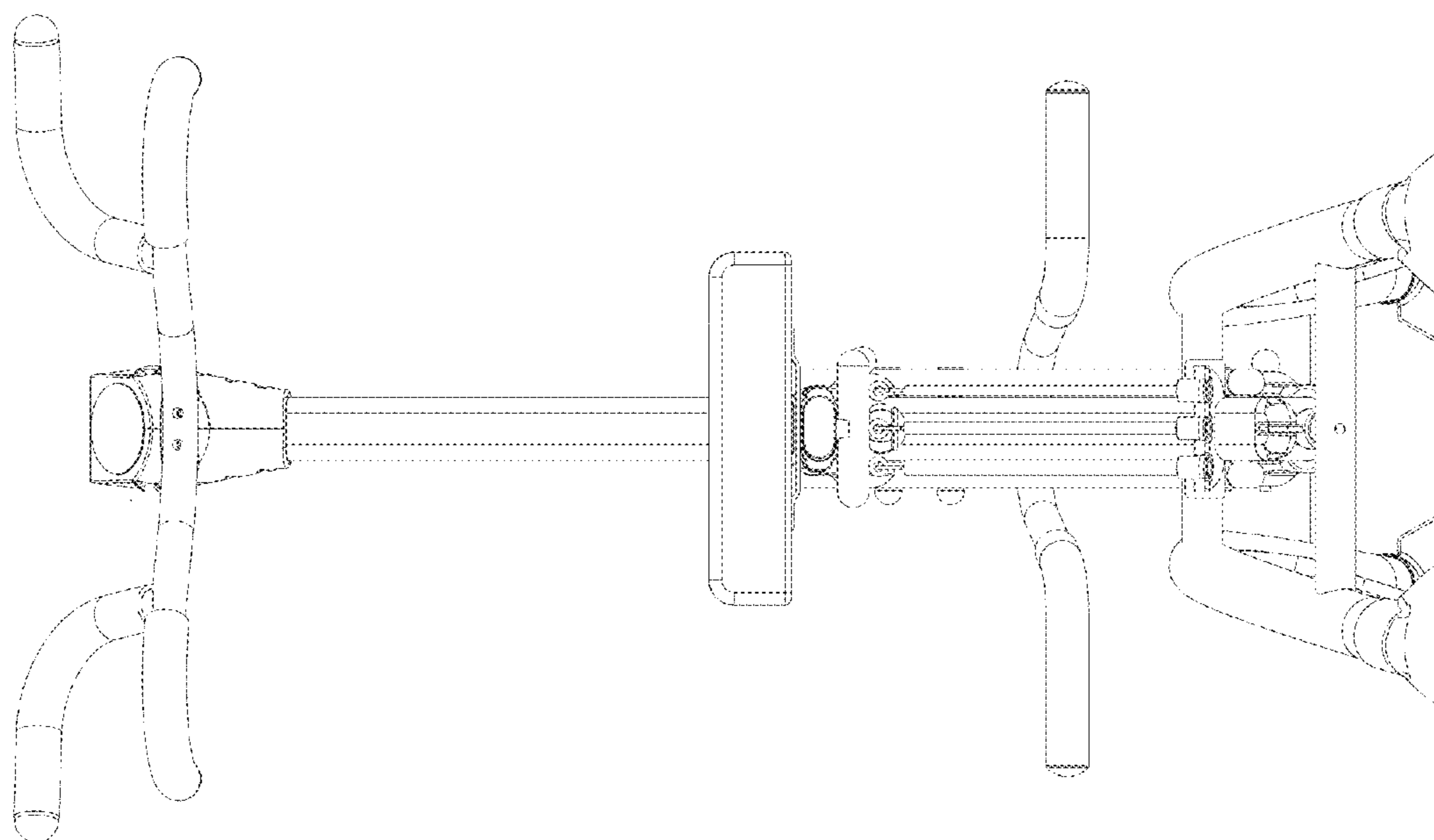
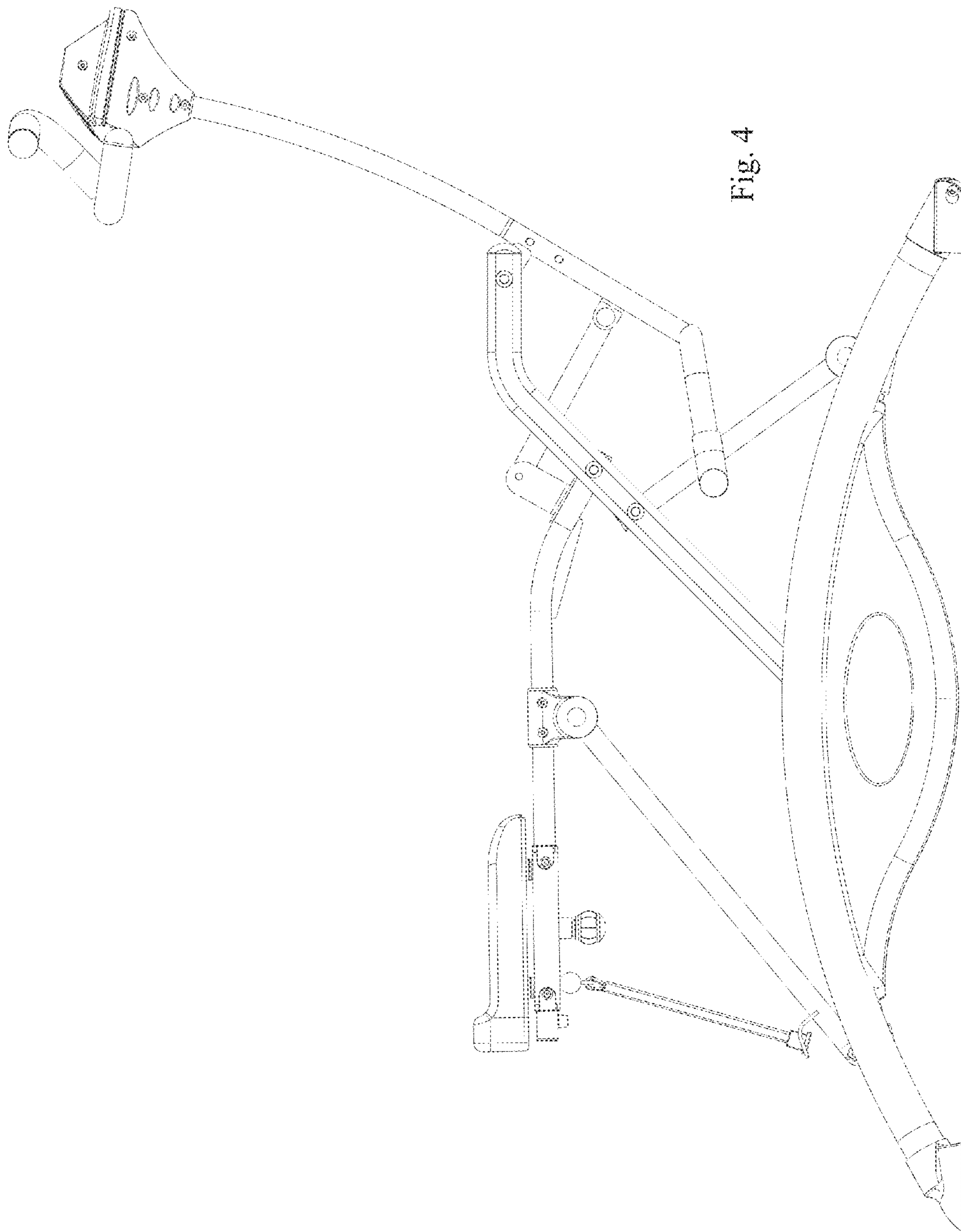


Fig. 3



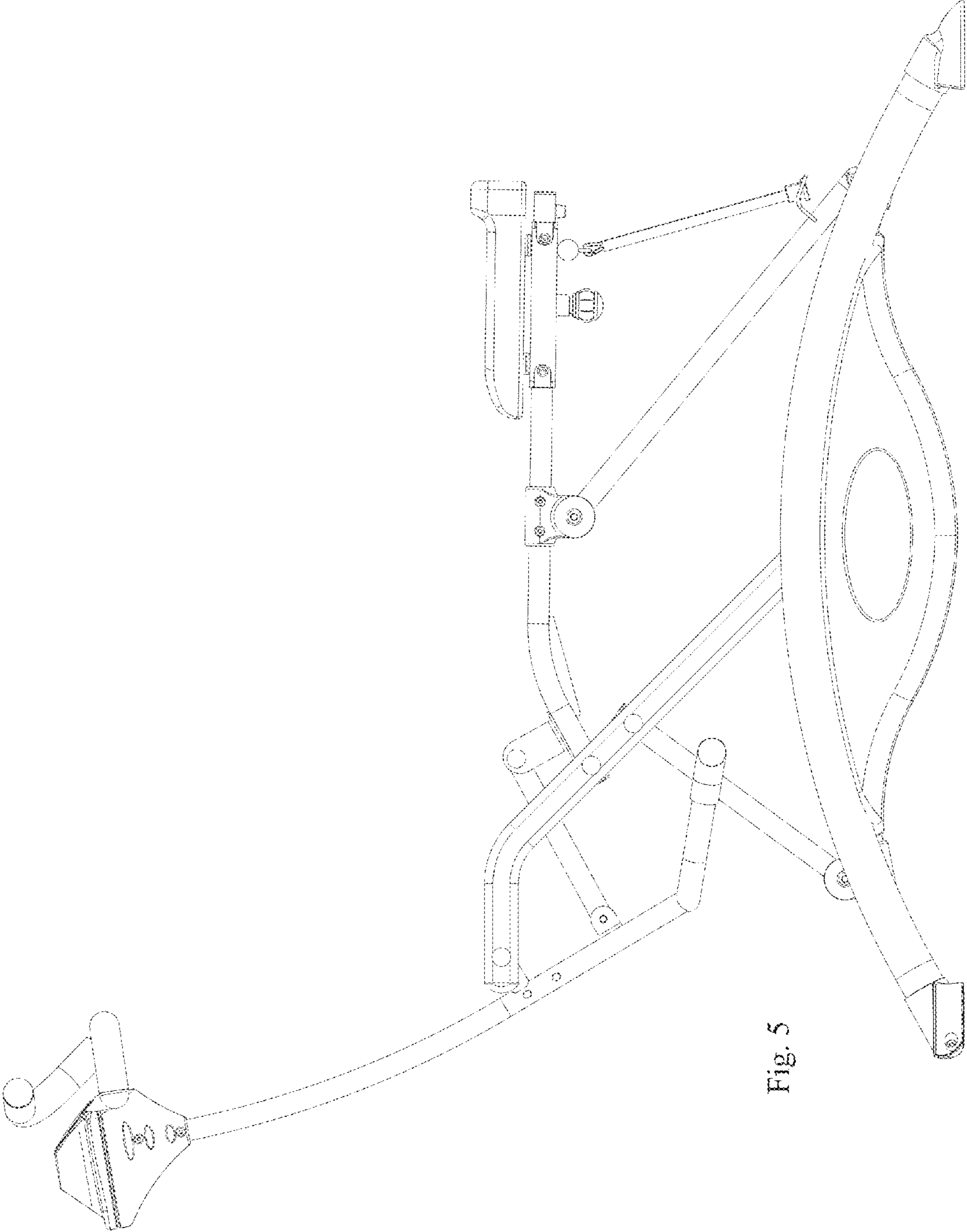


Fig. 5

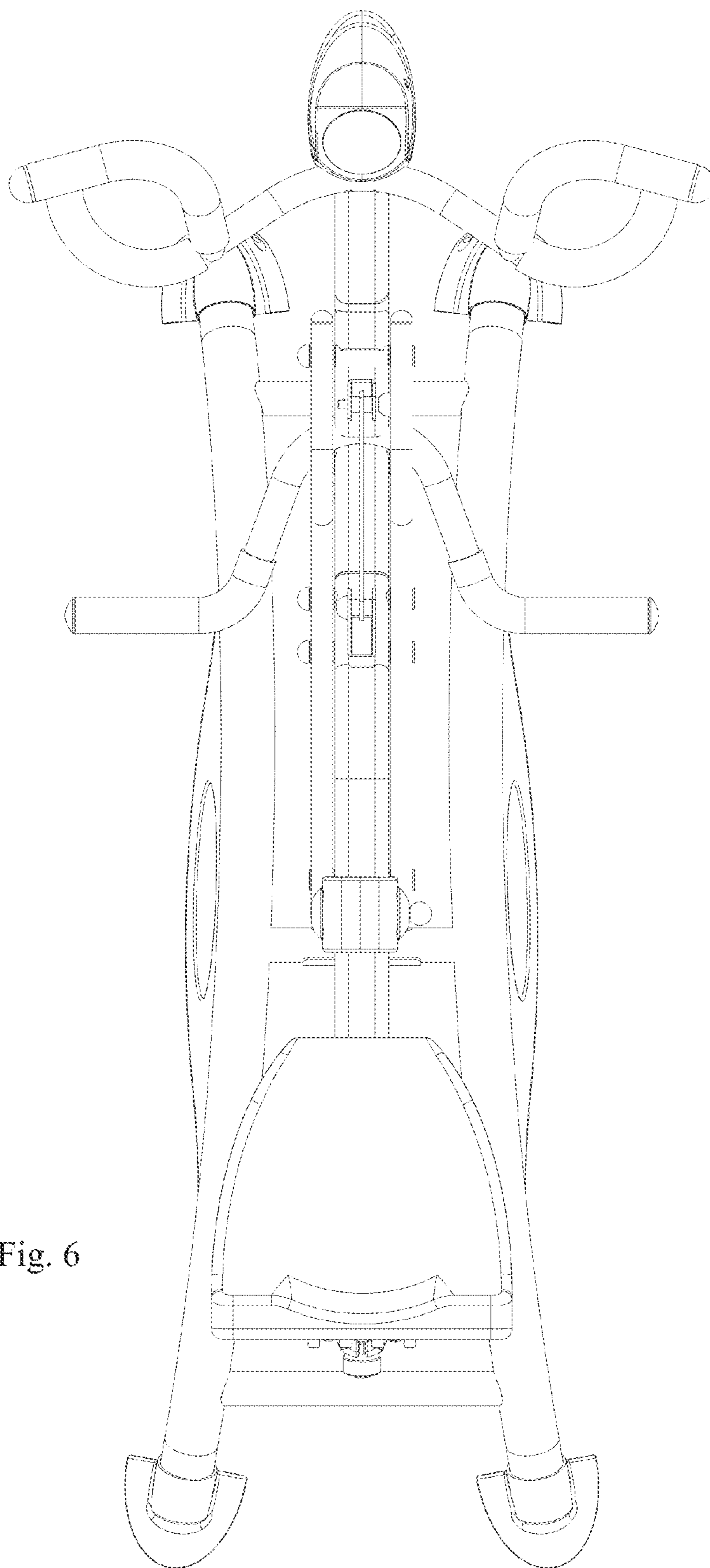


Fig. 6

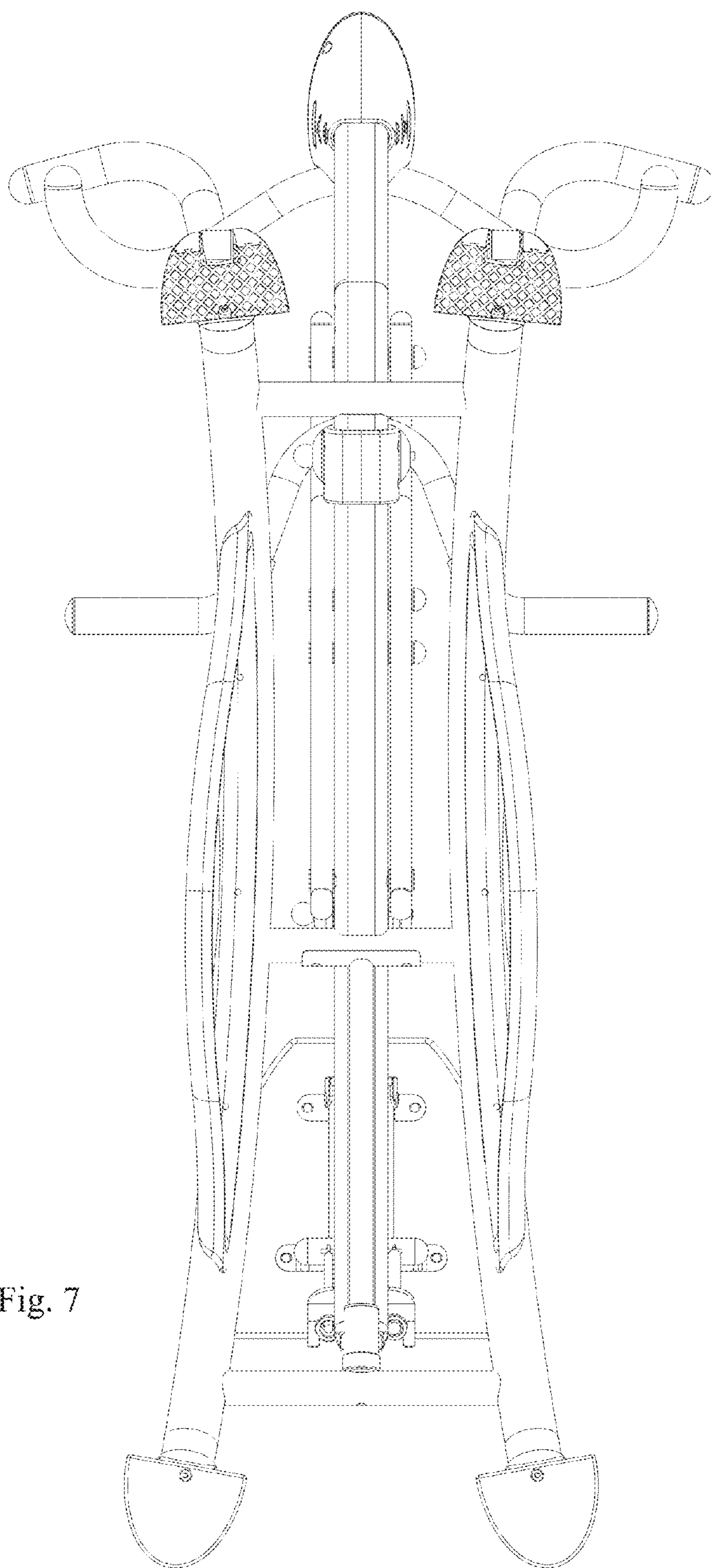


Fig. 7