



US00D743494S

(12) **United States Design Patent**
Ho et al.

(10) **Patent No.:** **US D743,494 S**
(45) **Date of Patent:** **** Nov. 17, 2015**

(54) **ABDOMINAL EXERCISER BENCH**

(71) Applicants: **Wei-Teh Ho**, Taipei (TW); **Willy Wei Yu Ho**, Taipei (TW)

(72) Inventors: **Wei-Teh Ho**, Taipei (TW); **Willy Wei Yu Ho**, Taipei (TW)

(**) Term: **14 Years**

(21) Appl. No.: **29/509,265**

(22) Filed: **Nov. 14, 2014**

Related U.S. Application Data

(63) Continuation-in-part of application No. 29/491,763, filed on May 23, 2014, now Pat. No. Des. 730,457.

(51) **LOC (10) Cl.** **21-02**

(52) **U.S. Cl.**
USPC **D21/687**

(58) **Field of Classification Search**

USPC 482/122, 115, 145, 111, 123, 121, 126, 482/140, 142, 130, 129, 132, 96, 131, 139, 482/148, 141, 146, 95, 907, 143, 144, 93, 482/908, 127, 92, 109, 110, 80; 297/16.1, 297/175, 445.1, 440.15, 215.12, 313, 328, 297/383, 423.46, 423.1, 423.44, 259.1, 297/353; D21/690, 676, 687, 662, 691, D21/688, 681, 694, 423, 686; 273/449; 601/24, 49, 120, 131, 46; 472/103; 140/121, 122, 123, 124, 90; 108/6; 248/397; 292/338, 313; D6/353
CPC A63B 23/0211; A63B 21/0552; A63B 2208/0233; A63B 21/1492; A63B 23/0233; Y10S 482/907

See application file for complete search history.

(56) **References Cited**

U.S. PATENT DOCUMENTS

5,545,114 A 8/1996 Gvoich
5,599,261 A 2/1997 Easley et al.

D379,483 S 5/1997 England et al.
5,676,628 A 10/1997 Chen
D390,290 S 2/1998 Van Der Hoeven et al.
D393,891 S 4/1998 Van Der Hoeven et al.
D400,953 S * 11/1998 Huang D21/687
5,871,425 A 2/1999 Gvoich
D408,875 S 4/1999 Anderson
6,220,995 B1 4/2001 Chen
6,544,151 B2 4/2003 Tornabene
D476,045 S 6/2003 Casey et al.
D478,137 S 8/2003 Ho et al.
7,357,764 B2 4/2008 Stearns
D641,434 S 7/2011 Khubani
8,012,072 B2 9/2011 Forcillo et al.
D649,205 S 11/2011 Zachary
D703,280 S 4/2014 Ho et al.
D719,224 S 12/2014 Ho et al.
D727,440 S * 4/2015 Ho et al. D21/681
D728,709 S * 5/2015 Ho et al. D21/687
D730,457 S * 5/2015 Ho et al. D21/687

(Continued)

Primary Examiner — Robert M Spear

Assistant Examiner — Ryan Harvey

(74) *Attorney, Agent, or Firm* — Blakely Sokoloff Taylor Zafman LLP

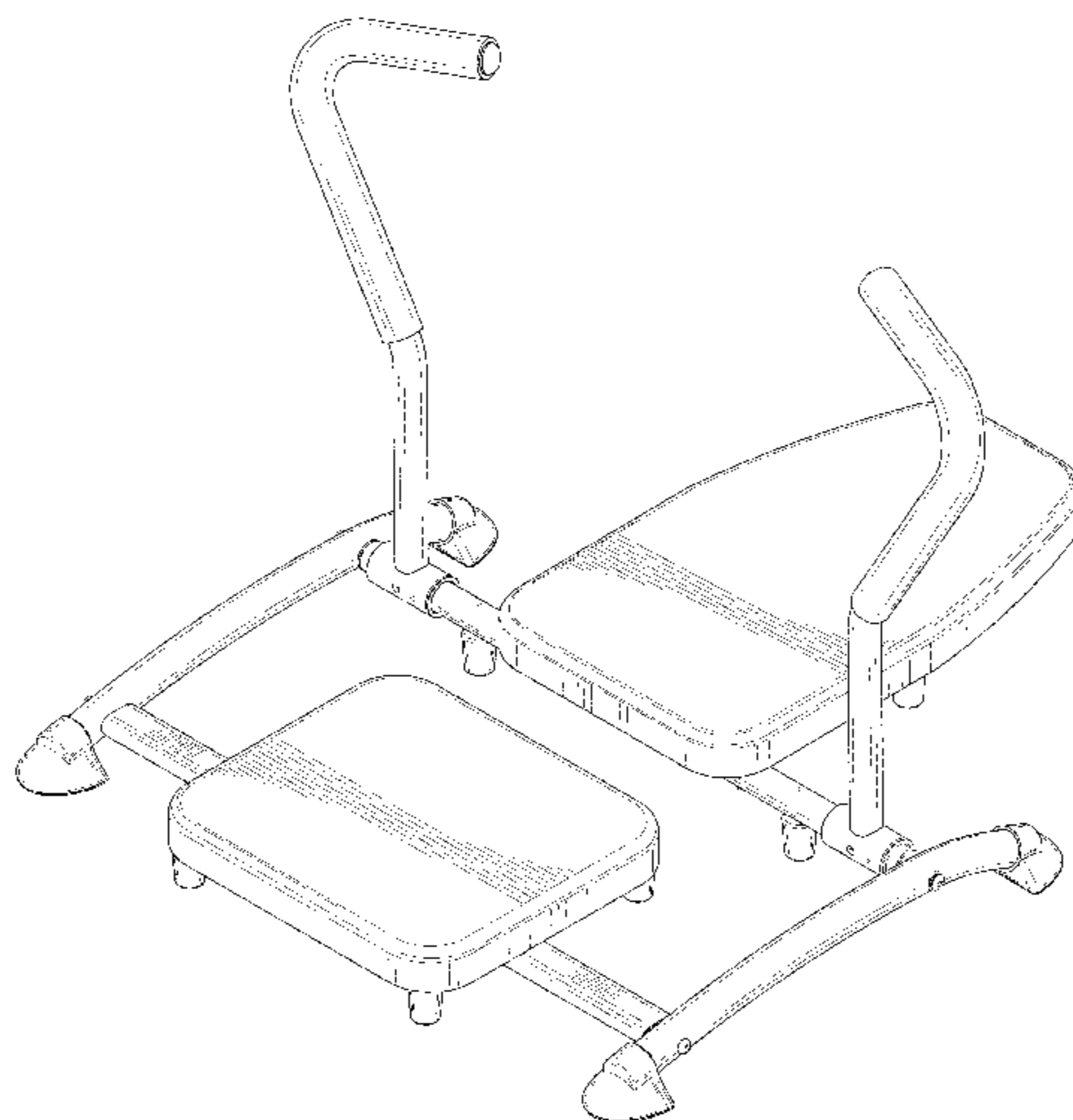
(57) **CLAIM**

The ornamental design for an abdominal exerciser bench, as shown and described.

DESCRIPTION

FIG. 1 is a perspective view showing the new design for an abdominal exerciser bench;
FIG. 2 is a front view thereof;
FIG. 3 is a rear view thereof;
FIG. 4 is a right side view thereof;
FIG. 5 is a left side view thereof;
FIG. 6 is a top view thereof; and,
FIG. 7 is a bottom view thereof.
The broken lines illustrate portions of the article that form no part of the claimed design.

1 Claim, 7 Drawing Sheets



(56)

References Cited

U.S. PATENT DOCUMENTS

D732,119 S *	6/2015	Ho et al.	D21/687	2006/0166799 A1	7/2006	Boland et al.	
2003/0130100 A1	7/2003	Perez			2007/0135281 A1 *	6/2007	Liao 482/140
2004/0220027 A1	11/2004	Stearns			2007/0259762 A1	11/2007	Ho	
2005/0130816 A1	6/2005	Huang			2007/0281840 A1	12/2007	Tsai	
					2014/0274616 A1	9/2014	Ho et al.	
					2014/0274617 A1 *	9/2014	Ho et al. 482/140
					2014/0274618 A1	9/2014	Ho et al.	

* cited by examiner

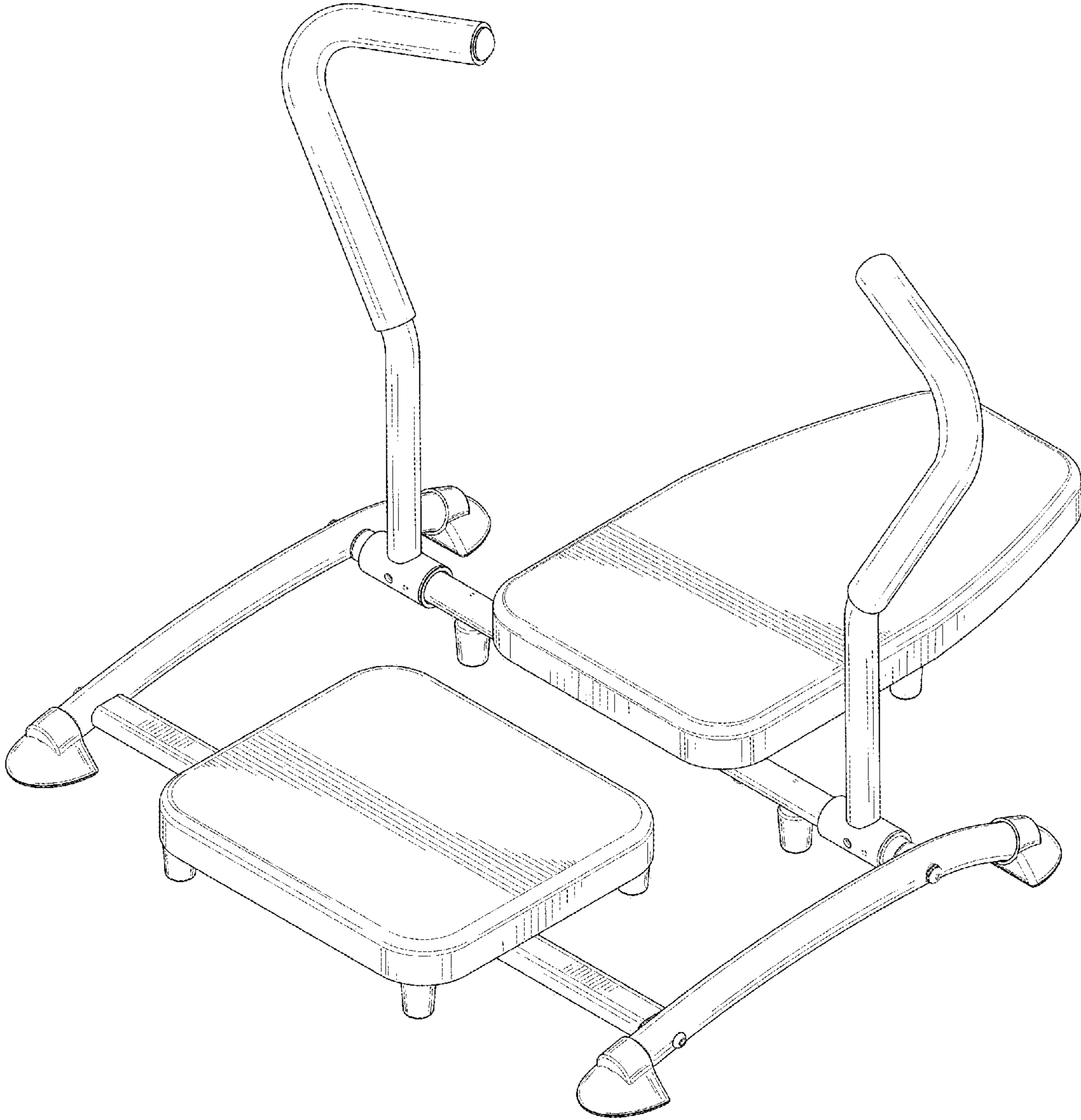


Fig.1

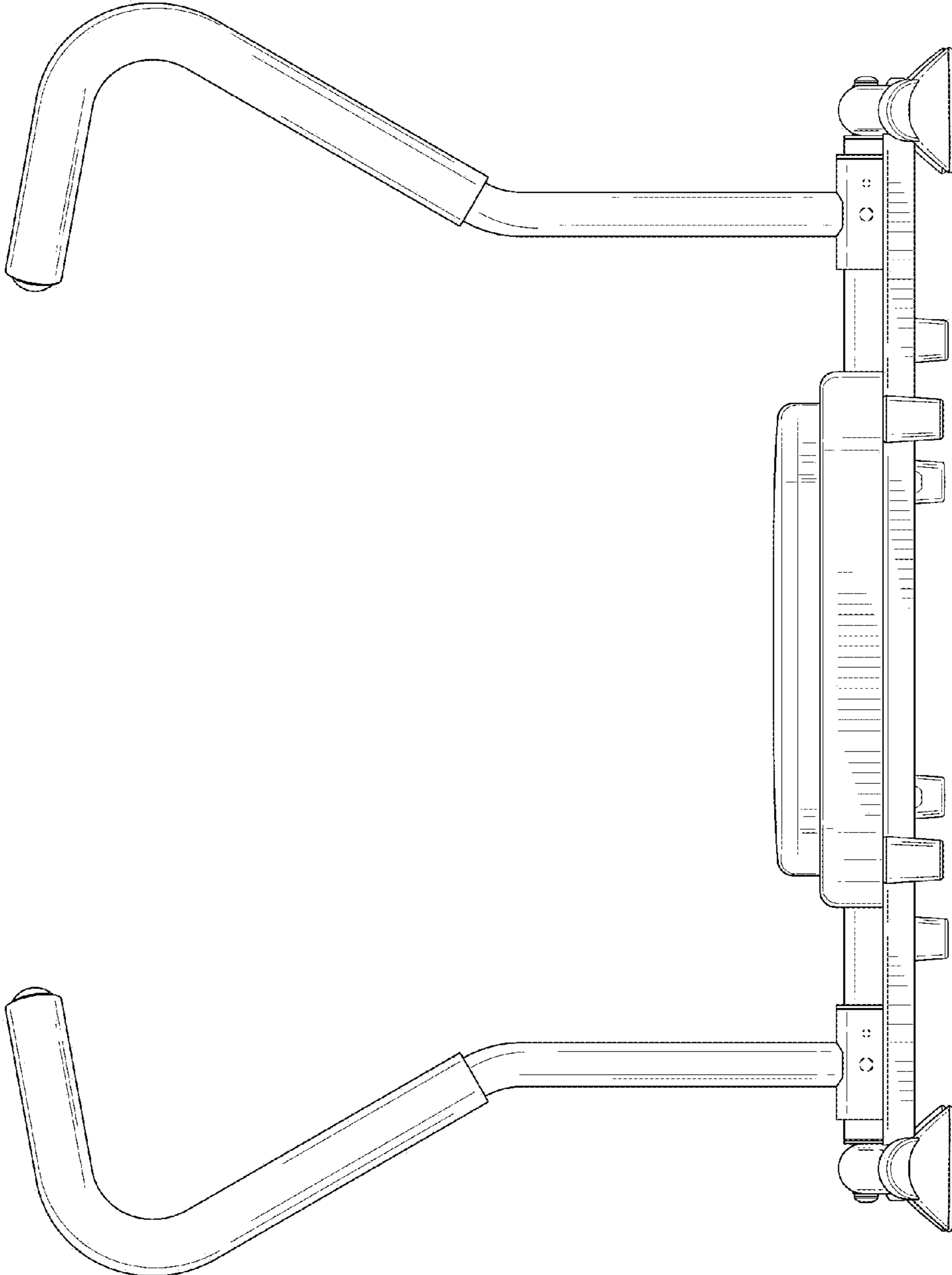


Fig.2

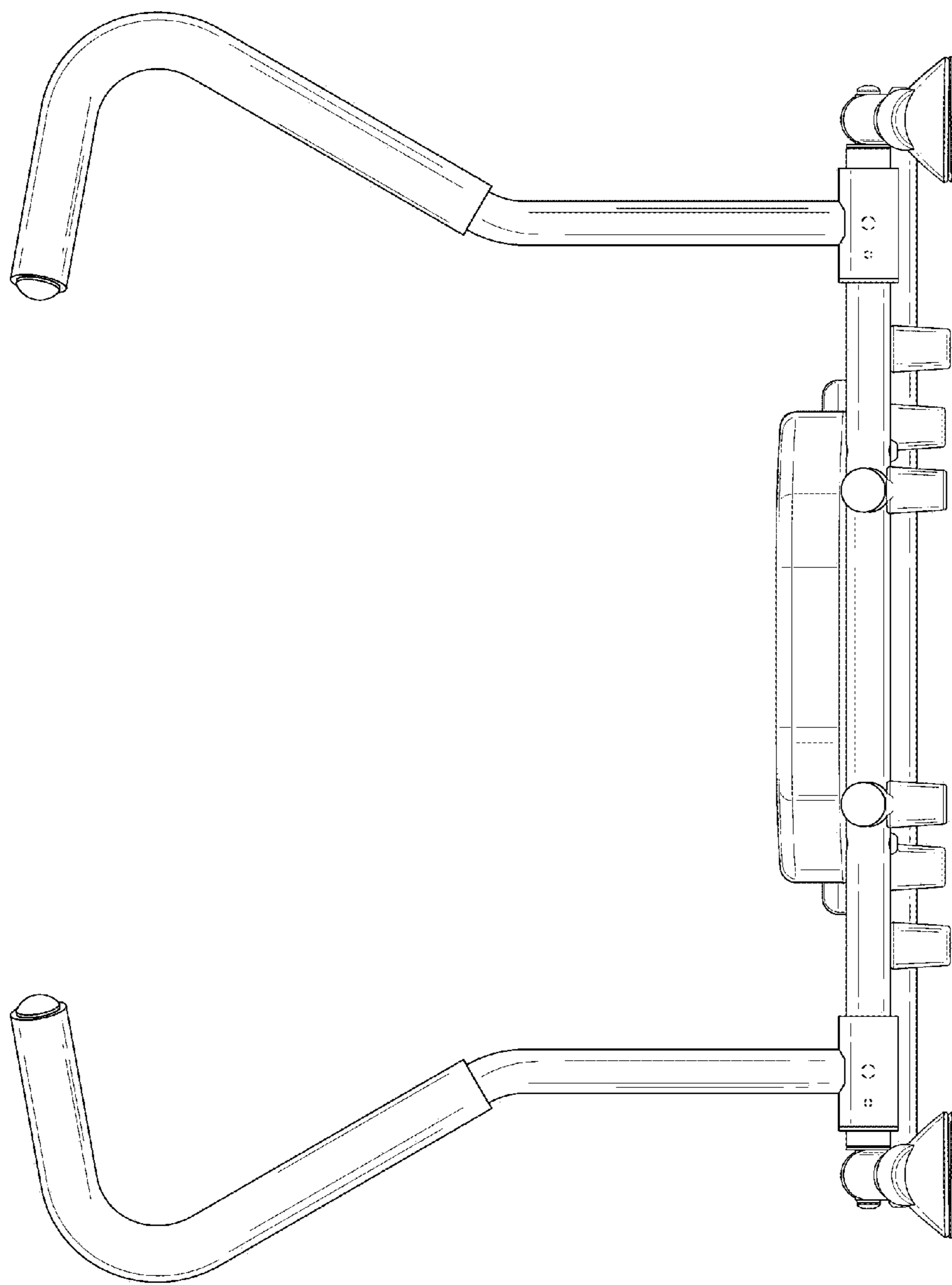


Fig.3

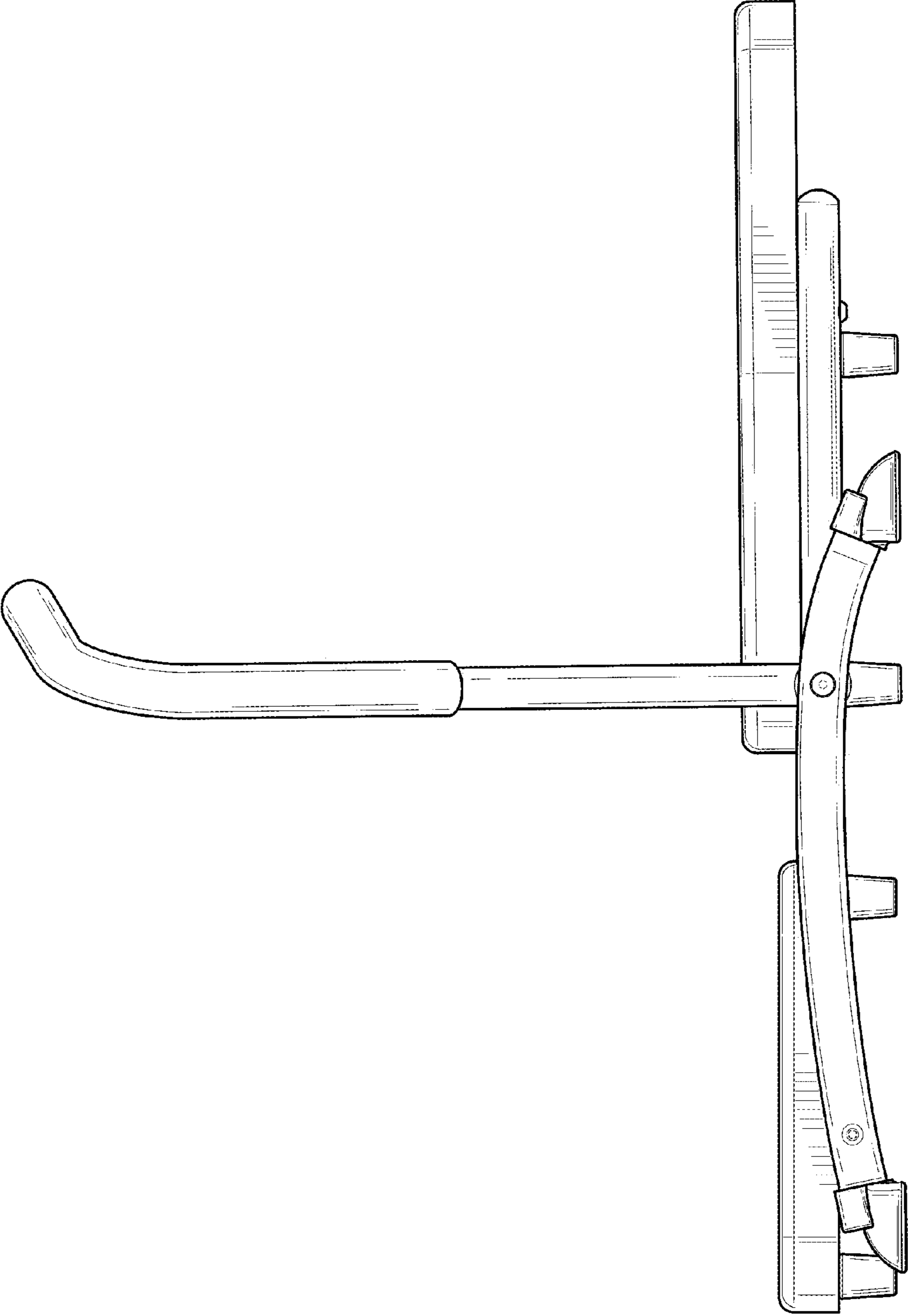


Fig.4

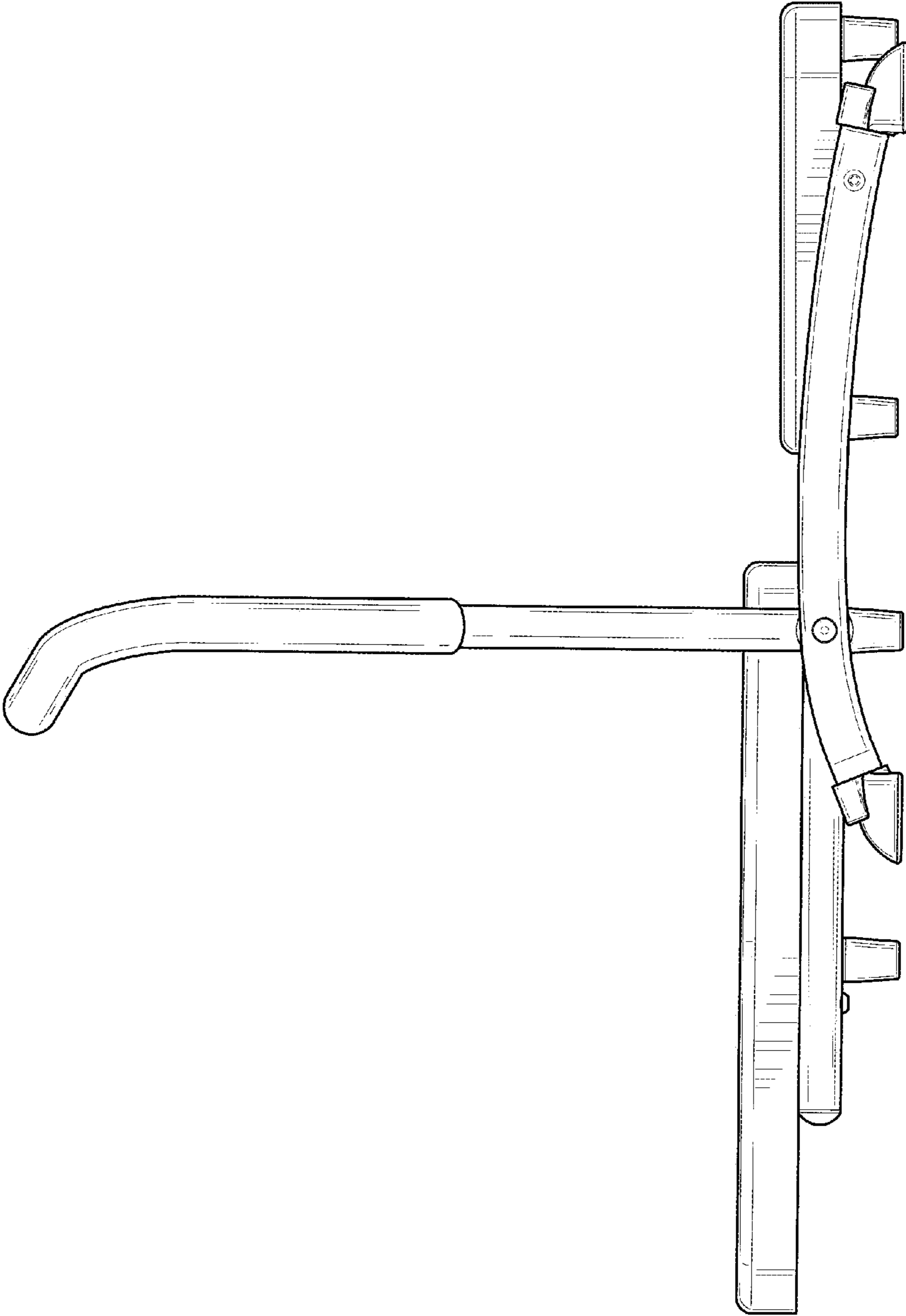


Fig. 5

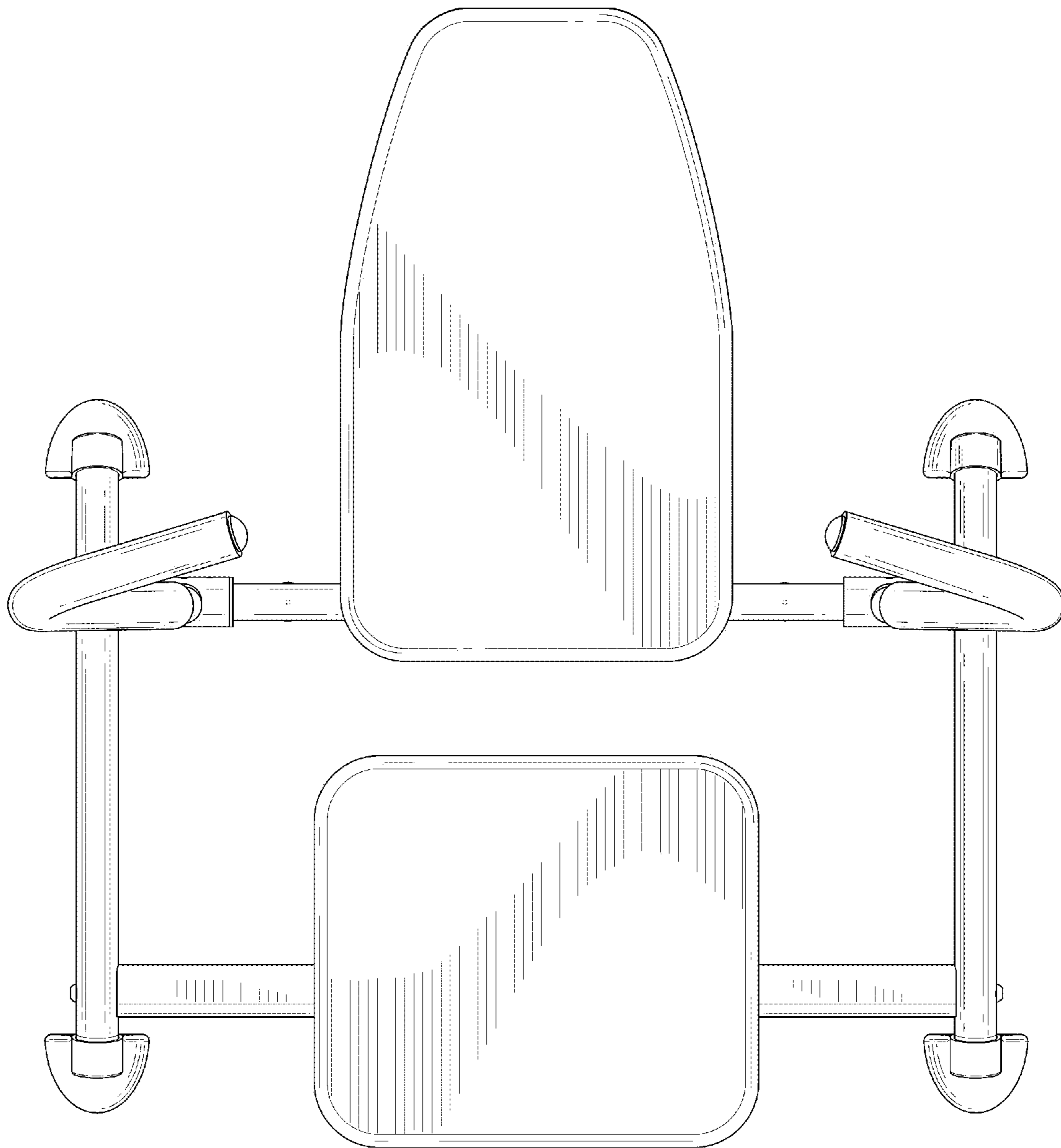


Fig.6

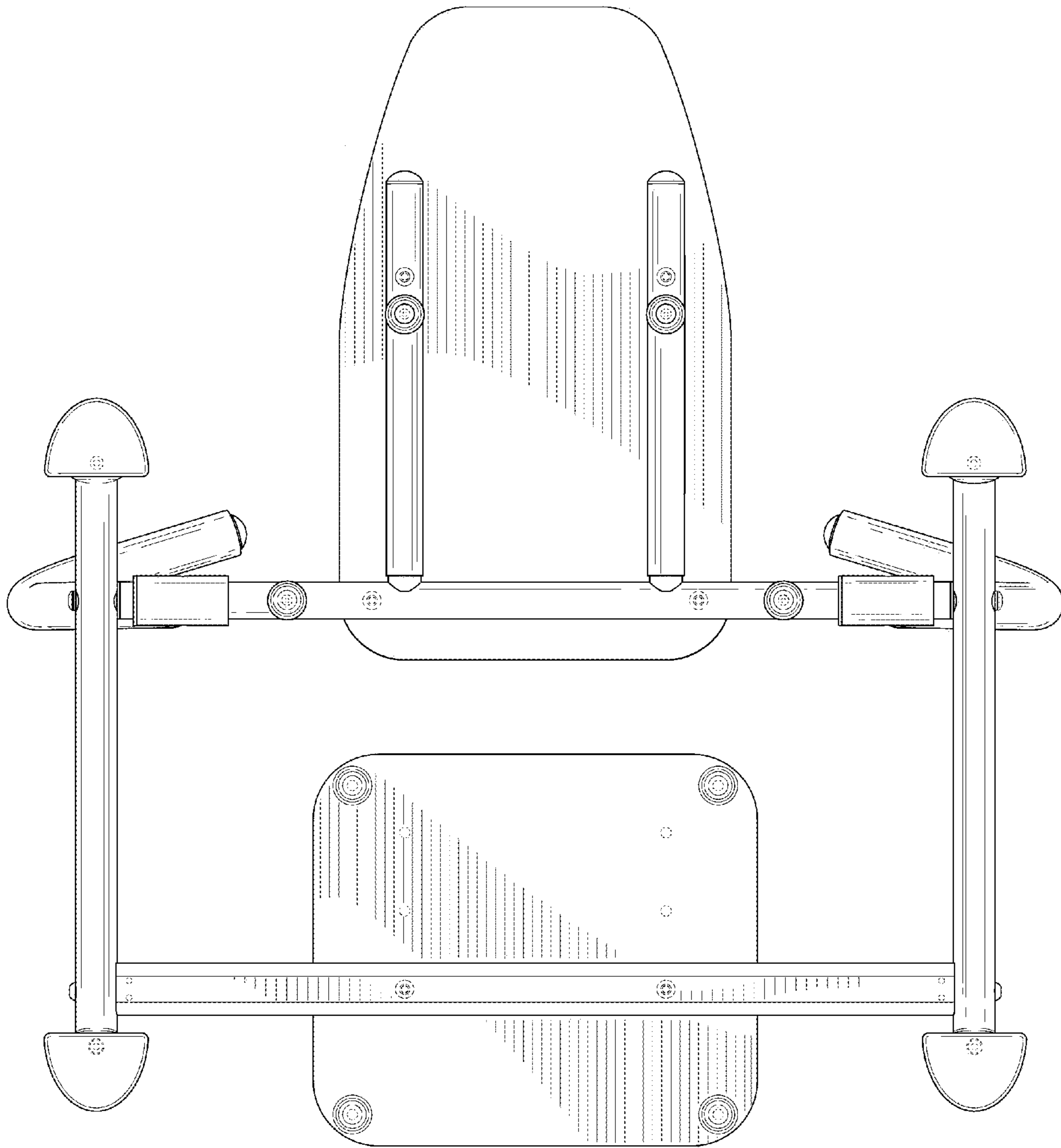


Fig.7