



US00D743493S

(12) **United States Design Patent**  
**Smith**

(10) **Patent No.:** **US D743,493 S**

(45) **Date of Patent:** **\*\* Nov. 17, 2015**

(54) **LEG AND FOOT STRETCHING DEVICE**

(71) Applicant: **James Smith**, Hartwell, GA (US)

(72) Inventor: **James Smith**, Hartwell, GA (US)

(\*\*) Term: **14 Years**

(21) Appl. No.: **29/494,728**

(22) Filed: **Jun. 24, 2014**

(51) **LOC (10) Cl.** ..... **21-02**

(52) **U.S. Cl.**  
USPC ..... **D21/662**

(58) **Field of Classification Search**  
USPC ..... 602/27, 16, 29, 23, 28; 482/124, 139,  
482/92, 121, 125, 129, 38, 148, 79, 131,  
482/907; D2/900, 662; D6/552; D21/662  
CPC . A61F 5/0111; A61F 5/0127; A63B 21/0552;  
A63B 21/0557; A63B 21/0442; A63B  
2208/0204

See application file for complete search history.

(56) **References Cited**

**U.S. PATENT DOCUMENTS**

4,361,322	A *	11/1982	Wells	482/131
5,067,709	A	11/1991	Christianson	
5,230,679	A	7/1993	Olsen	
5,595,559	A	1/1997	Viel	
5,941,802	A *	8/1999	Kiser	482/92
6,027,434	A	2/2000	Gibbons	
6,036,625	A *	3/2000	Woodruff	482/121
6,338,700	B1	1/2002	Pollock	

D557,541	S *	12/2007	Corbell	D6/552
7,749,141	B2 *	7/2010	Meisterling	482/121
D666,255	S	8/2012	Babchinetskaya	
D694,414	S *	11/2013	Sparkes	D24/190
2002/0187885	A1	12/2002	Liao	
2007/0191193	A1	8/2007	Backes	
2011/0034307	A1 *	2/2011	Eddy	482/131
2012/0220435	A1 *	8/2012	Sweeney	482/121
2014/0343474	A1 *	11/2014	Kazlow et al.	602/28
2015/0018734	A1 *	1/2015	Benford	602/16

**FOREIGN PATENT DOCUMENTS**

WO WO2005/089140 9/2005

\* cited by examiner

*Primary Examiner* — Robert M Spear

*Assistant Examiner* — Ryan Harvey

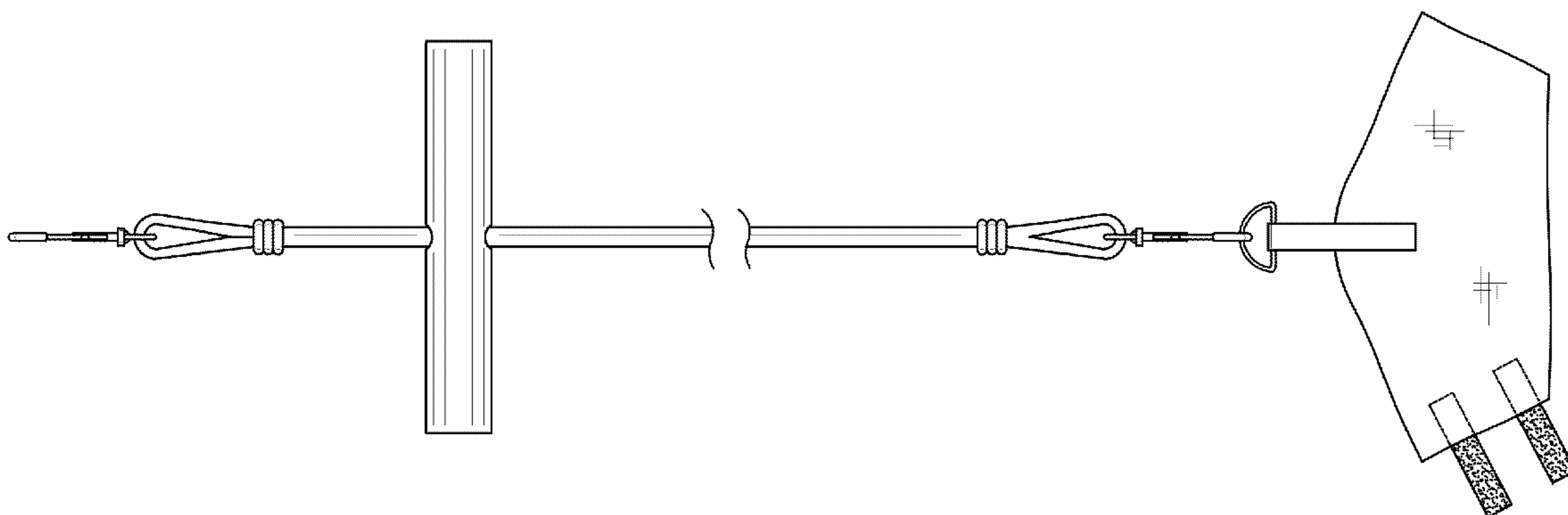
(57) **CLAIM**

I claim the ornamental design for a leg and foot stretching device, as shown and described.

**DESCRIPTION**

FIG. 1 is a front view of the leg and foot stretching device.  
FIG. 2 is a rear view of the claimed design.  
FIG. 3 is a left side view of the claimed design.  
FIG. 4 is a right side view of the claimed design.  
FIG. 5 is a top view of the claimed design; and,  
FIG. 6 is a bottom view of the claimed design.  
The claimed design is shown with a symbolic break in its length. The appearance of any portion of the article between the break lines forms no part of the claimed design.

**1 Claim, 4 Drawing Sheets**



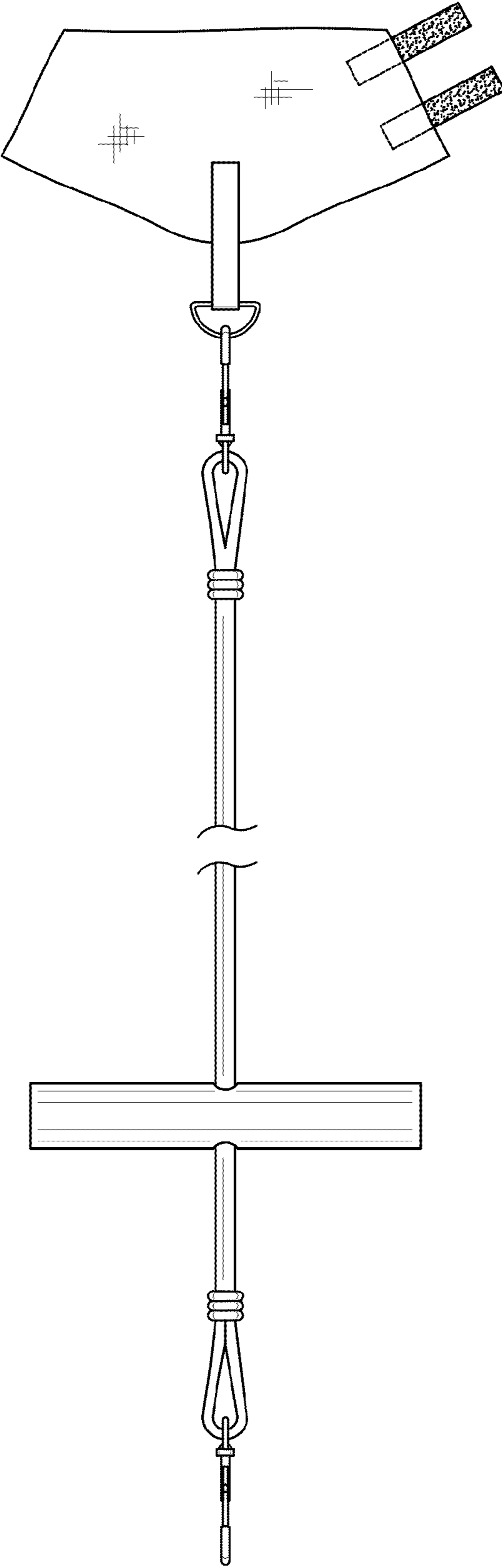


FIG. 1

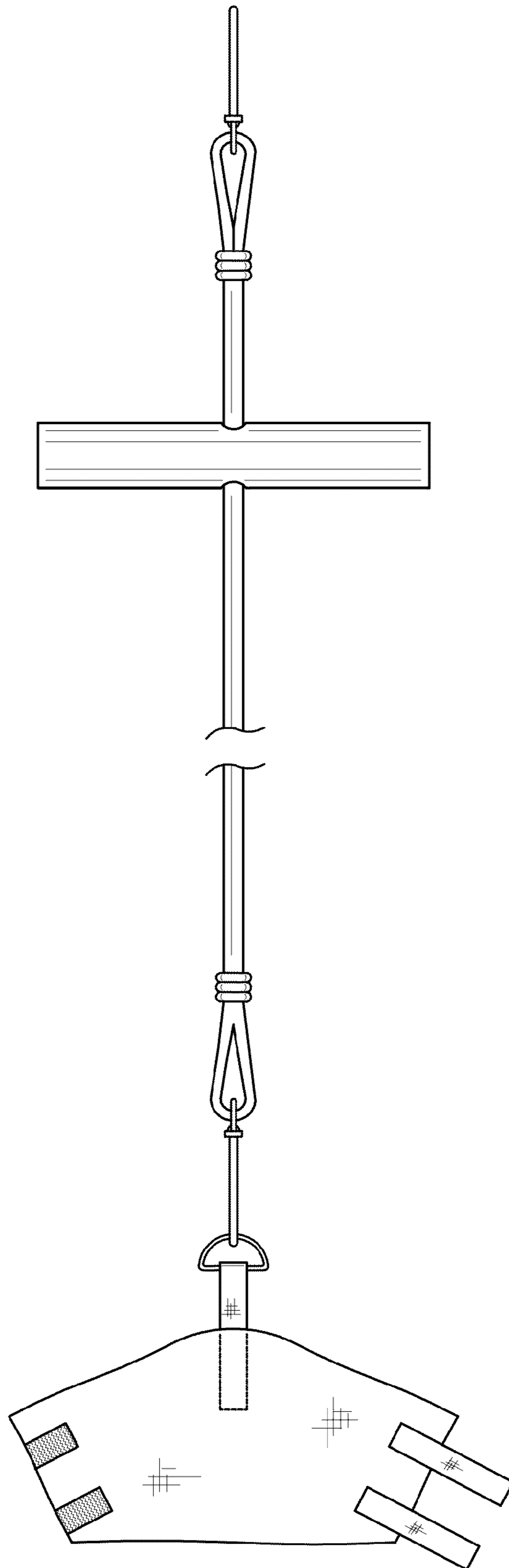


FIG. 2

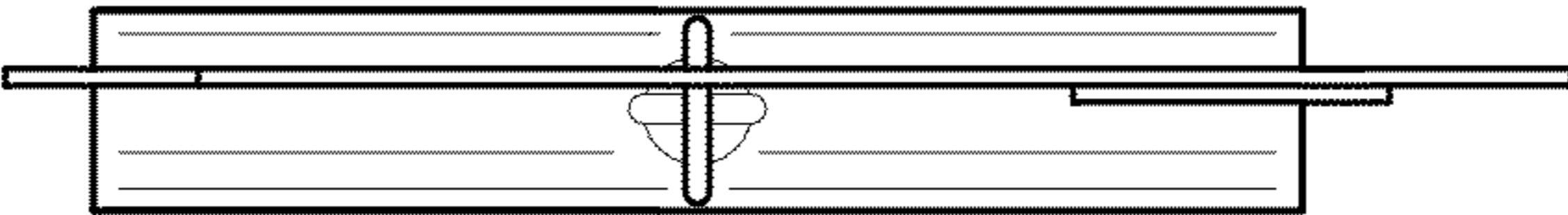


FIG. 4

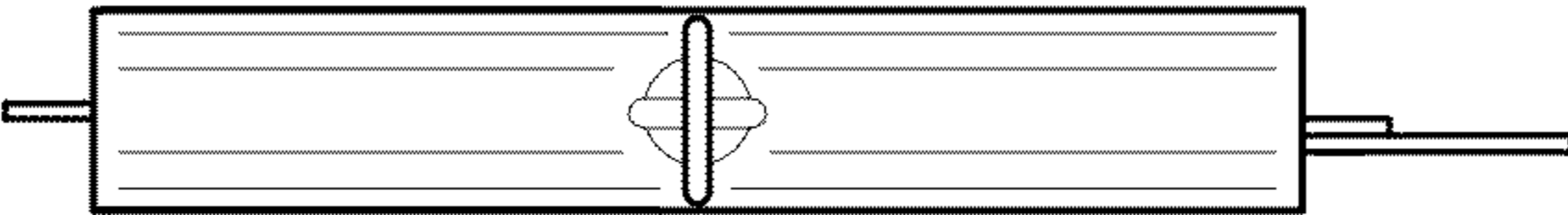


FIG. 3

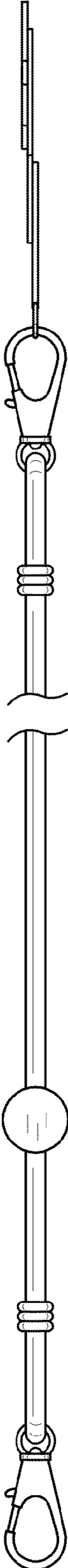


FIG. 5

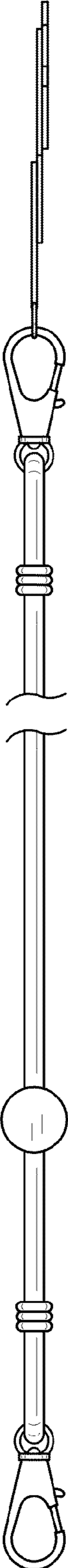


FIG. 6