



US00D743492S

(12) **United States Design Patent**
Chen

(10) **Patent No.:** **US D743,492 S**

(45) **Date of Patent:** **** Nov. 17, 2015**

(54) **INTELLIGENCE ENHANCING TOY**

(71) Applicant: **Chien-Ming Chen**, New Taipei (TW)

(72) Inventor: **Chien-Ming Chen**, New Taipei (TW)

(**) Term: **14 Years**

(21) Appl. No.: **29/494,843**

(22) Filed: **Jun. 25, 2014**

(51) **LOC (10) Cl.** **21-01**

(52) **U.S. Cl.**
USPC **D21/468**

(58) **Field of Classification Search**

USPC D21/300, 302–306, 398, 404, 468, 469,
D21/470, 471, 475, 476, 478, 479, 483, 484,
D21/485, 489, 490, 491, 492, 493, 494, 500,
D21/501, 502, 504, 505, 506, 507, 509, 510,
D21/511, 515, 519, 522, 699, 705, 780, 790,
D21/798, 800, 811, 812; D6/300, 310–312,
D6/332, 406.1–406.6, 656.11, 656.12, 672,
D6/673, 675.4, 675.5, 700, 701; D11/131,
D11/132–140, 157, 164; 446/69, 71, 85,
446/102, 104, 106–108, 111, 113, 120–123,
446/227, 472, 478, 482, 487, 491; 273/276,
273/283, 285, 153 R, 155, 156, 157 R, 153 S;
434/128, 211, 215, 257, 260, 365, 393,
434/403, 429

See application file for complete search history.

(56) **References Cited**

U.S. PATENT DOCUMENTS

2,310,711 A * 2/1943 Savage 446/487
3,042,400 A * 7/1962 O'Rear 473/414

D251,647 S * 4/1979 Valien D6/311
D268,510 S * 4/1983 Gallagher D21/812
4,589,853 A * 5/1986 Hidvegi 446/123
D328,318 S * 7/1992 Rhymer D21/478
6,582,271 B1 * 6/2003 Wallis 446/86
D528,463 S * 9/2006 Schobinger et al. D11/141
D590,742 S * 4/2009 Anderson D11/131
8,181,960 B2 * 5/2012 Anderson 273/157 R
2010/0285717 A1 * 11/2010 Chen 446/120

* cited by examiner

Primary Examiner — Catherine Tuttle

(74) *Attorney, Agent, or Firm* — Bruce Stone LLP; Joseph A. Bruce

(57) **CLAIM**

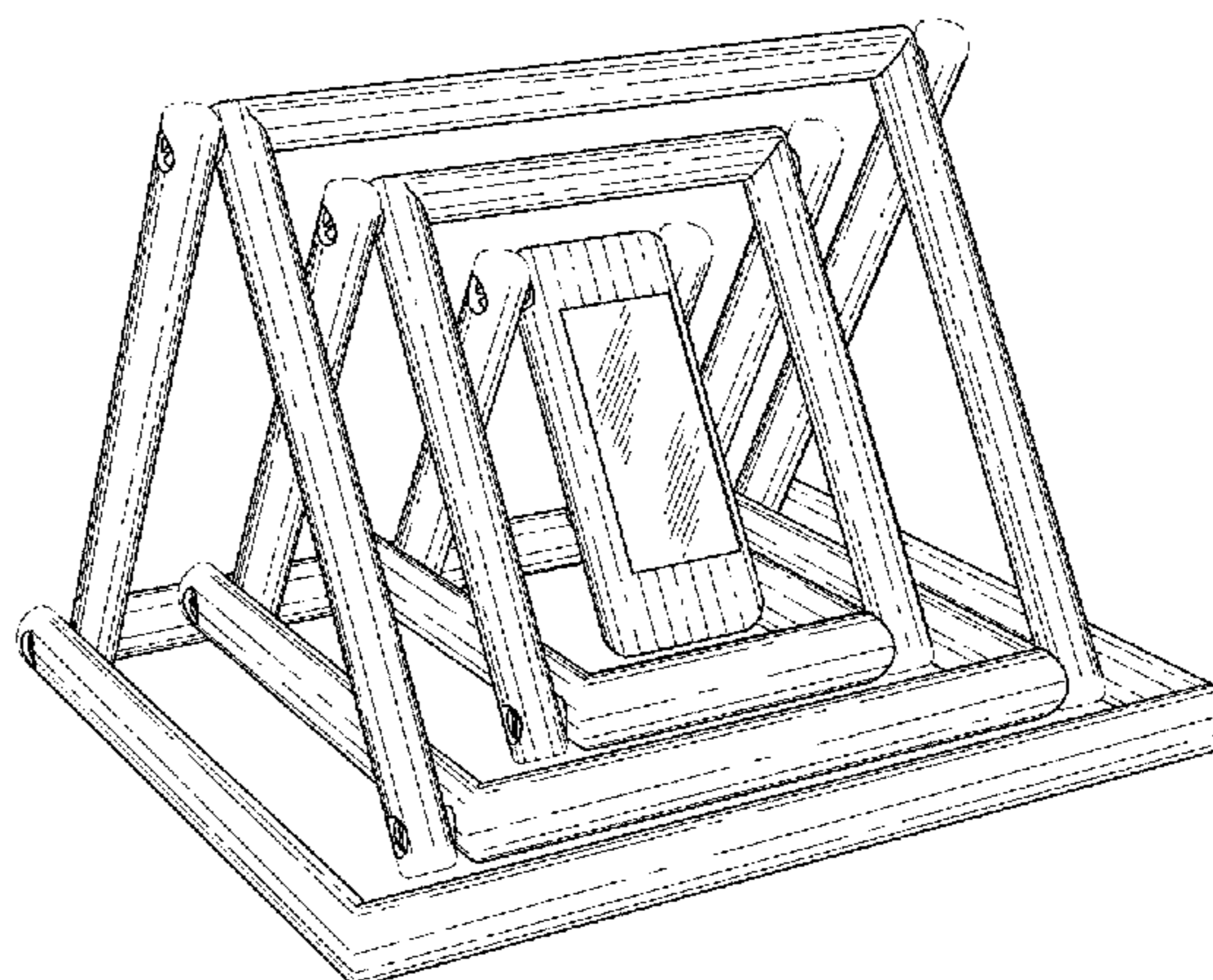
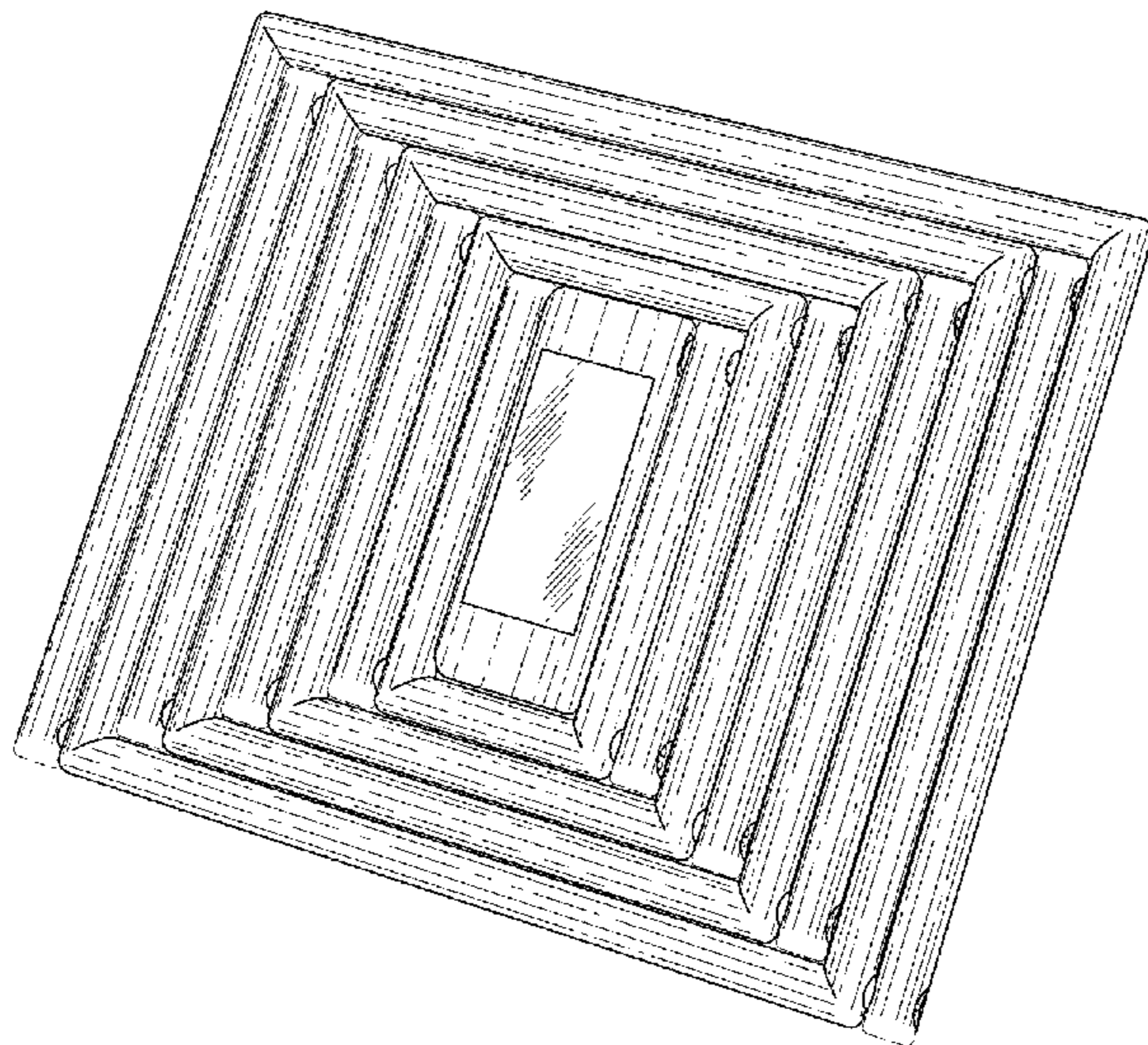
The ornamental design for an intelligence enhancing toy, as shown and described.

DESCRIPTION

FIG. 1 is a top right perspective view of an intelligence enhancing toy showing my new design; FIG. 2 is a front elevation view thereof; FIG. 3 is a rear elevation view thereof; FIG. 4 is a left side elevation view thereof; FIG. 5 is a right side elevation view thereof; FIG. 6 is a top plan view thereof; FIG. 7 is a bottom plan view thereof; and, FIG. 8 is a perspective view showing the design in its expanded configuration.

The broken lines are included for the purpose of illustrating portions of the intelligence enhancing toy that form no part of the claimed design.

1 Claim, 5 Drawing Sheets



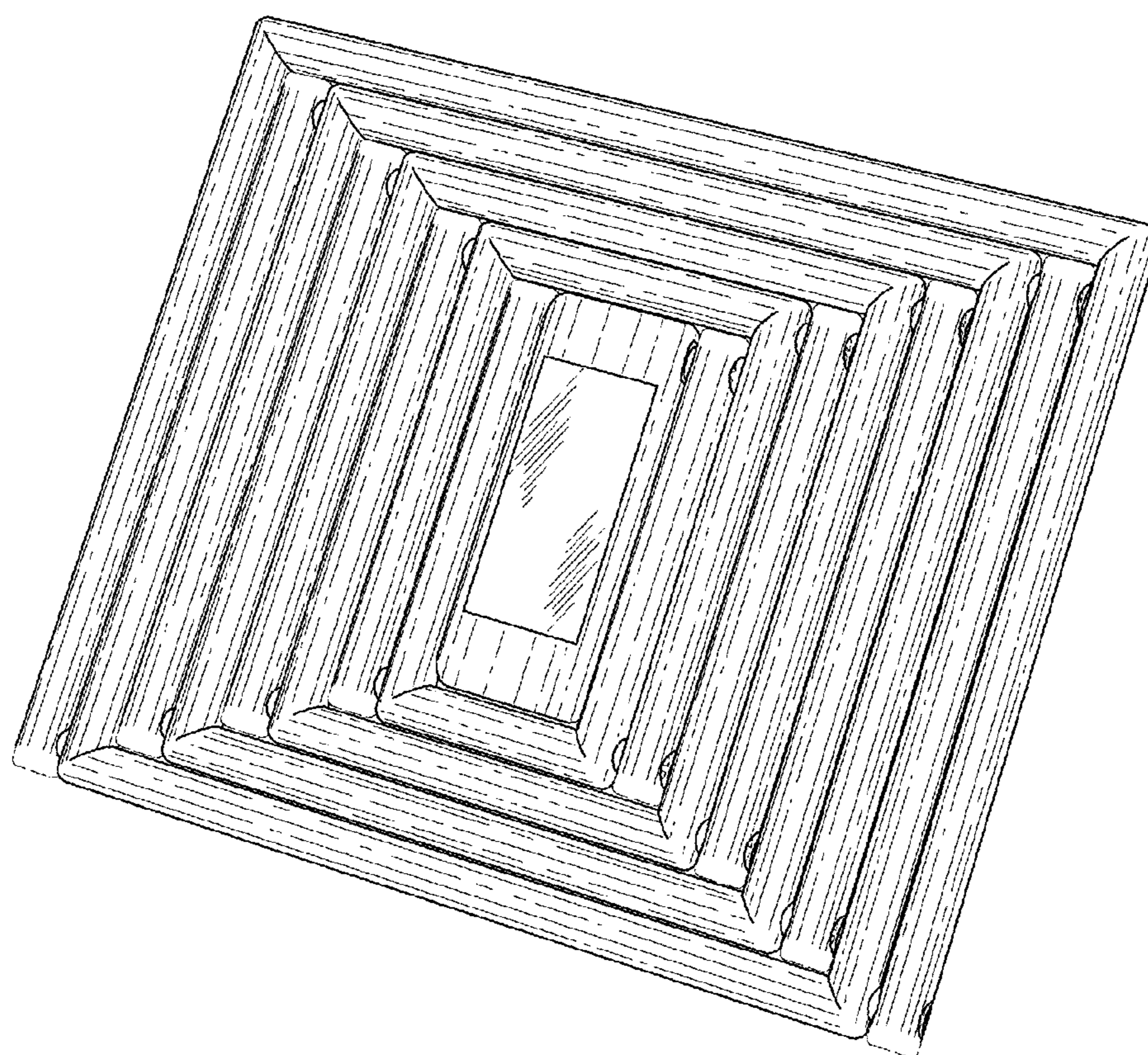


FIG. 1



FIG. 2



FIG. 3

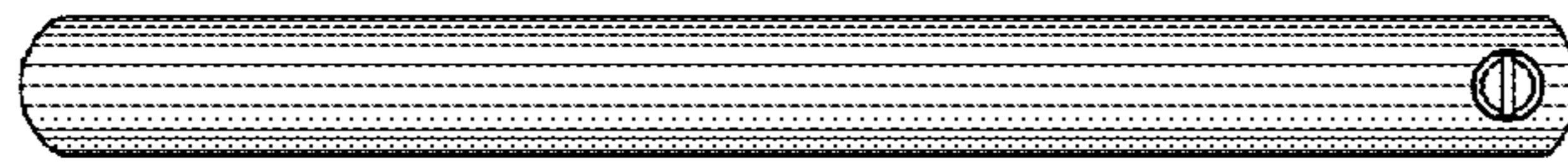


FIG. 4

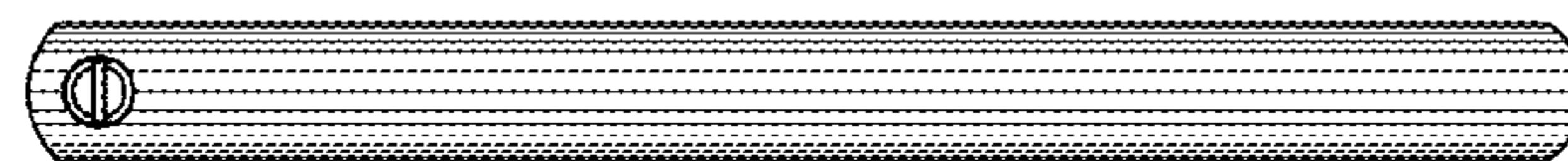


FIG. 5

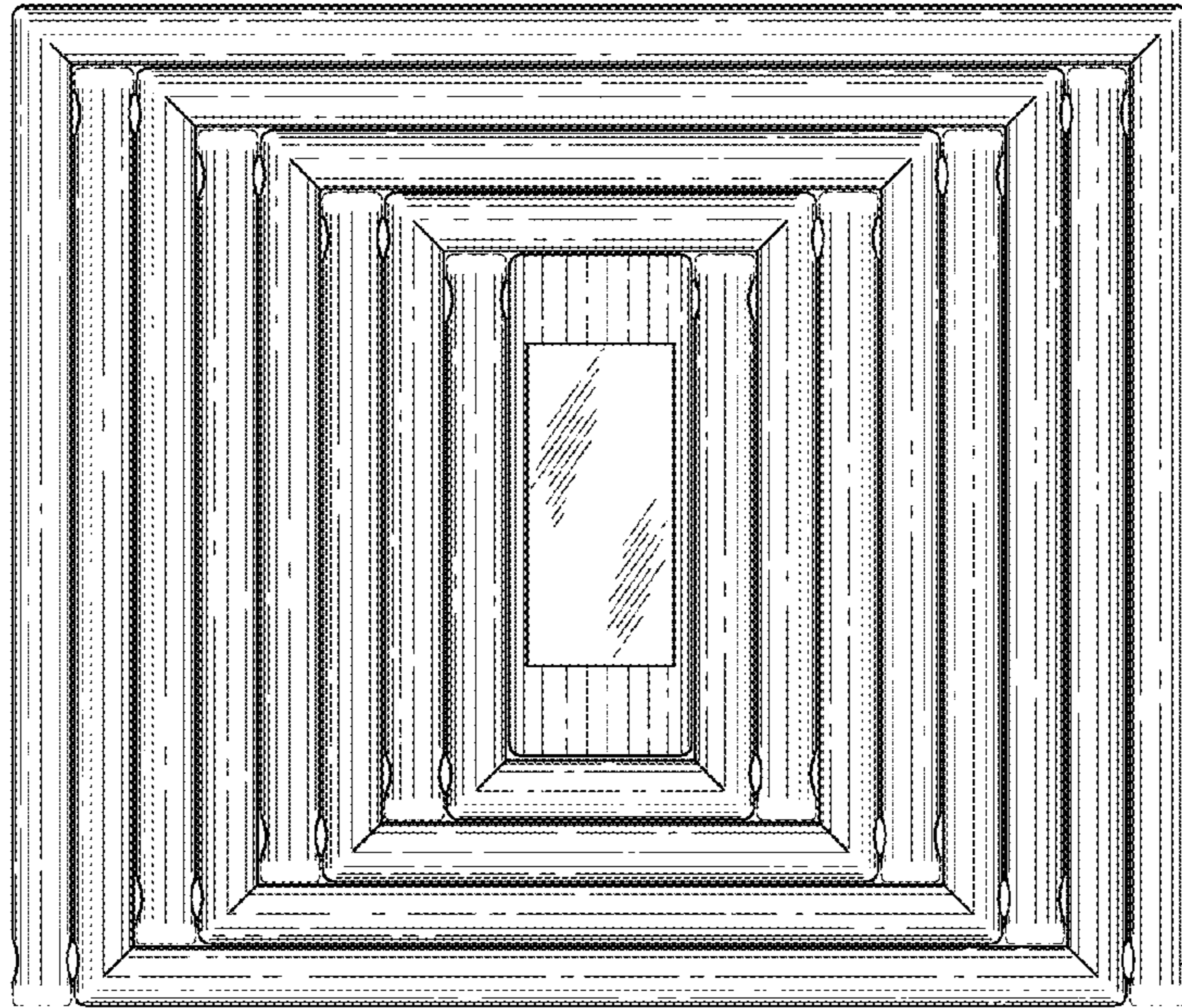


FIG. 6

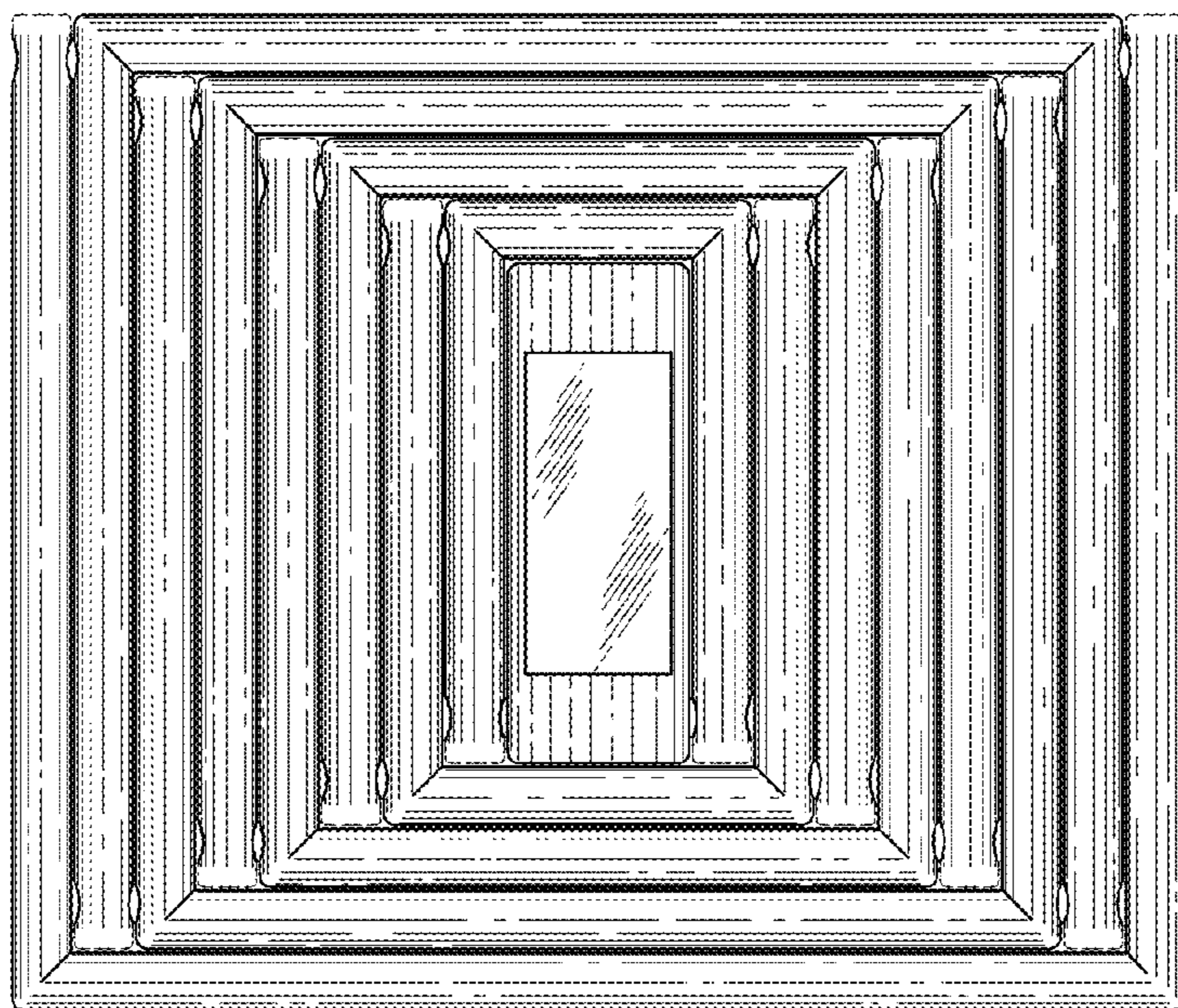


FIG. 7

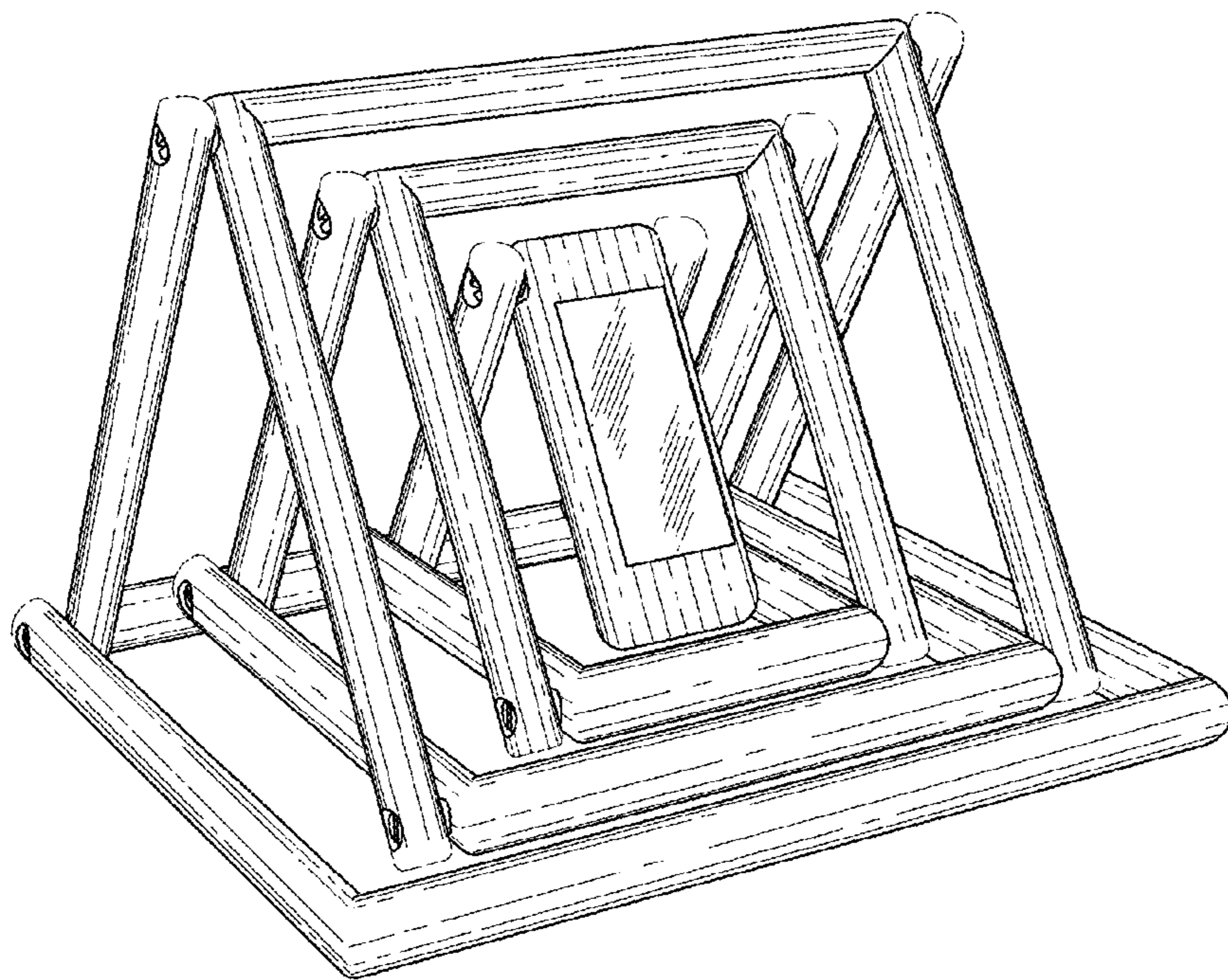


FIG. 8