



US00D743484S

(12) **United States Design Patent**
Nanno et al.

(10) **Patent No.:** **US D743,484 S**
(45) **Date of Patent:** **** Nov. 17, 2015**

(54) **PRINTER**
(71) Applicants: **Ai Nanno**, Nagoya (JP); **Tomoyuki Nanno**, Nagoya (JP)
(72) Inventors: **Ai Nanno**, Nagoya (JP); **Tomoyuki Nanno**, Nagoya (JP)

D667,050 S * 9/2012 Takeuchi D18/50
D667,051 S 9/2012 Sato
D669,082 S 10/2012 Sato
D675,673 S 2/2013 Sato
D675,674 S * 2/2013 Sato D18/50
D678,402 S 3/2013 Sato
D722,109 S * 2/2015 Nanno et al. D18/50

(73) Assignee: **BROTHER INDUSTRIES, LTD.**, Nagoya (JP)

(**) Term: **14 Years**

(21) Appl. No.: **29/486,407**

(22) Filed: **Mar. 28, 2014**

(30) **Foreign Application Priority Data**

Nov. 21, 2013 (JP) 2013-27245

(51) **LOC (10) Cl.** **14-02**

(52) **U.S. Cl.**
USPC **D18/50**

(58) **Field of Classification Search**
USPC D18/50, 53, 54, 54.1, 55;
D14/420-425, 462, 470; 400/613,
400/613.1-613.4, 690.1-690.4, 691-694
See application file for complete search history.

(56) **References Cited**

U.S. PATENT DOCUMENTS

D614,234 S * 4/2010 Ishikawa et al. D18/55
D643,462 S * 8/2011 Yamashita et al. D18/50
D645,896 S 9/2011 Iwai et al.
D648,377 S * 11/2011 Miyauchi et al. D18/50
D648,379 S * 11/2011 Ishikawa et al. D18/50
D665,014 S * 8/2012 Matsuno et al. D18/50
D665,015 S * 8/2012 Matsuno et al. D18/50
D665,016 S * 8/2012 Matsuno et al. D18/50

OTHER PUBLICATIONS

U.S. Appl. No. 29/484,000, filed Mar. 5, 2014 in the name of Yusaku Seki et al.
U.S. Appl. No. 29/484,007, filed Mar. 5, 2014 in the name of Yusaku Seki et al.
U.S. Appl. No. 29/467,373, filed Sep. 18, 2013 in the name of Yusaku Seki et al.
U.S. Appl. No. 29/484,028, filed Mar. 5, 2014 in the name of Yusaku Seki et al.
U.S. Appl. No. 29/486,361, filed Mar. 28, 2014 in the name of Ai Nanno et al.

* cited by examiner

Primary Examiner — Cathy Anne MacCormac

(74) *Attorney, Agent, or Firm* — Oliff PLC

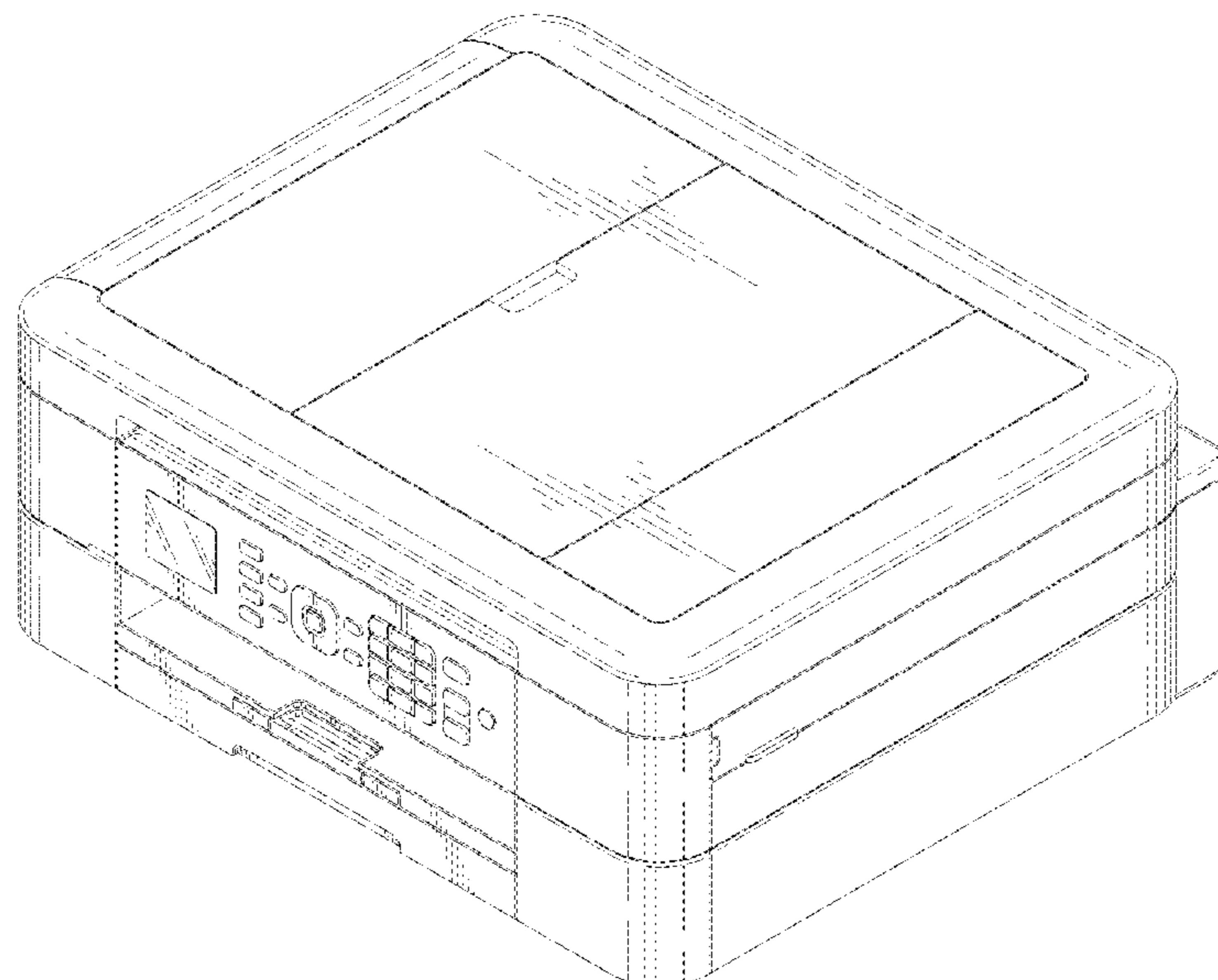
(57) **CLAIM**

The ornamental design for a printer, as shown and described.

DESCRIPTION

FIG. 1 is a perspective view of a printer;
FIG. 2 is a front view thereof;
FIG. 3 is a top view thereof;
FIG. 4 is a right-side view thereof;
FIG. 5 is a left-side view thereof;
FIG. 6 is a rear view thereof; and,
FIG. 7 is a bottom view thereof.
The broken lines depict environmental subject matter only and form no part of the claimed design.

1 Claim, 6 Drawing Sheets



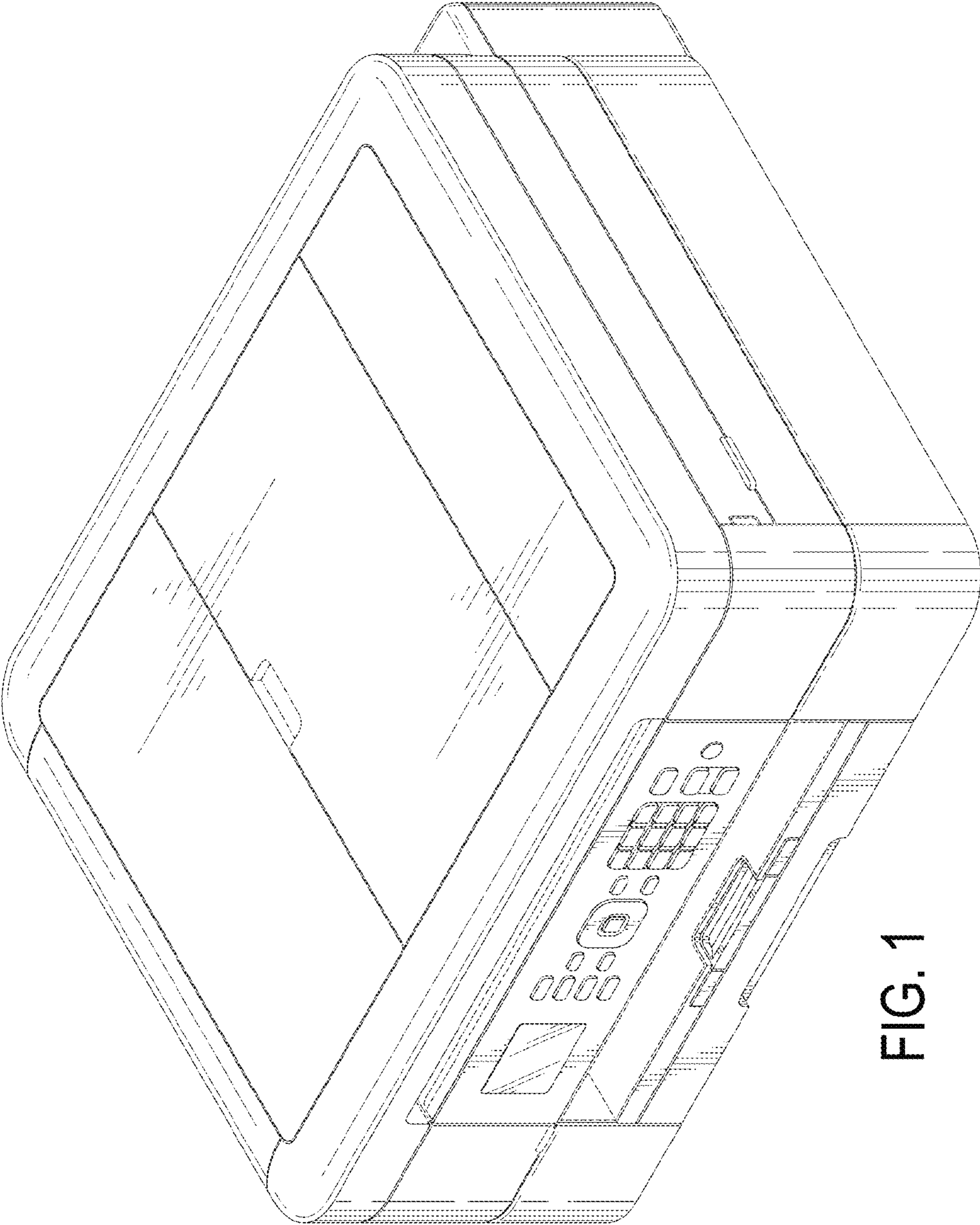


FIG. 1

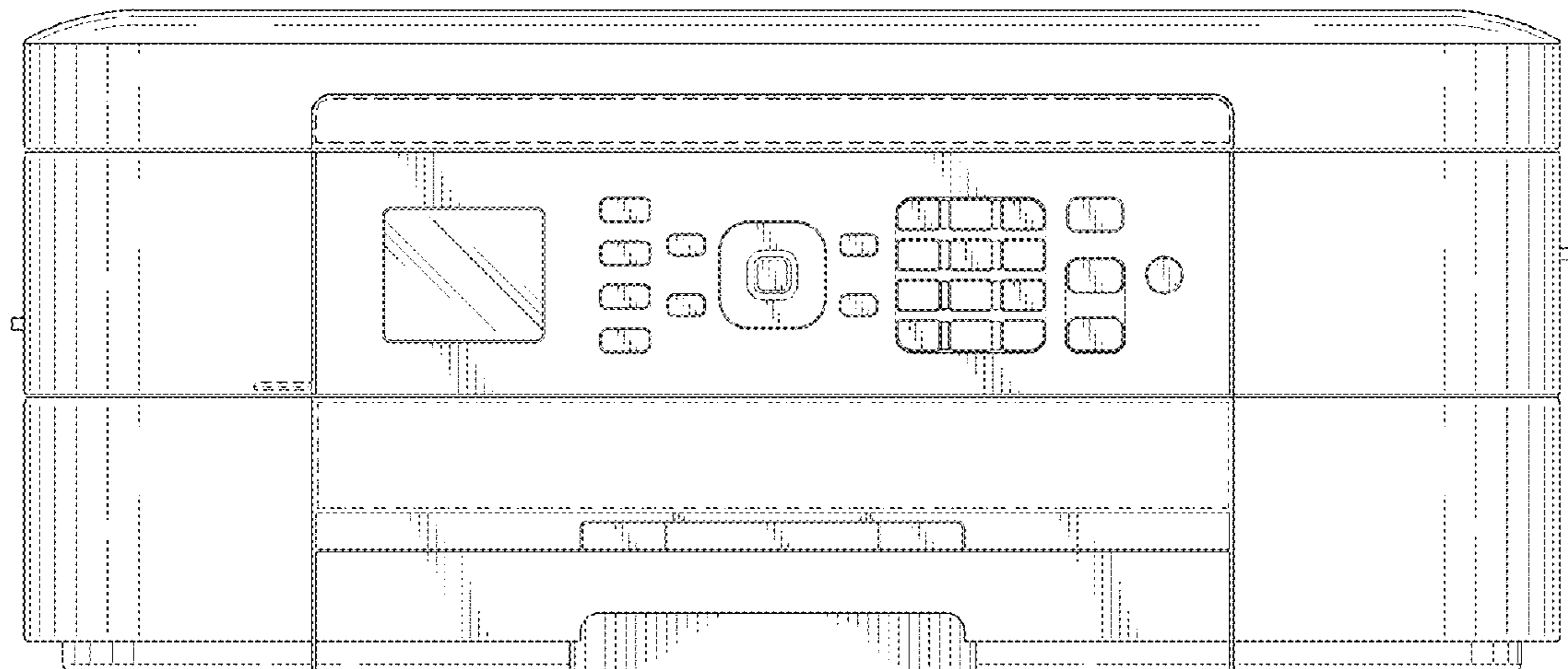


FIG. 2

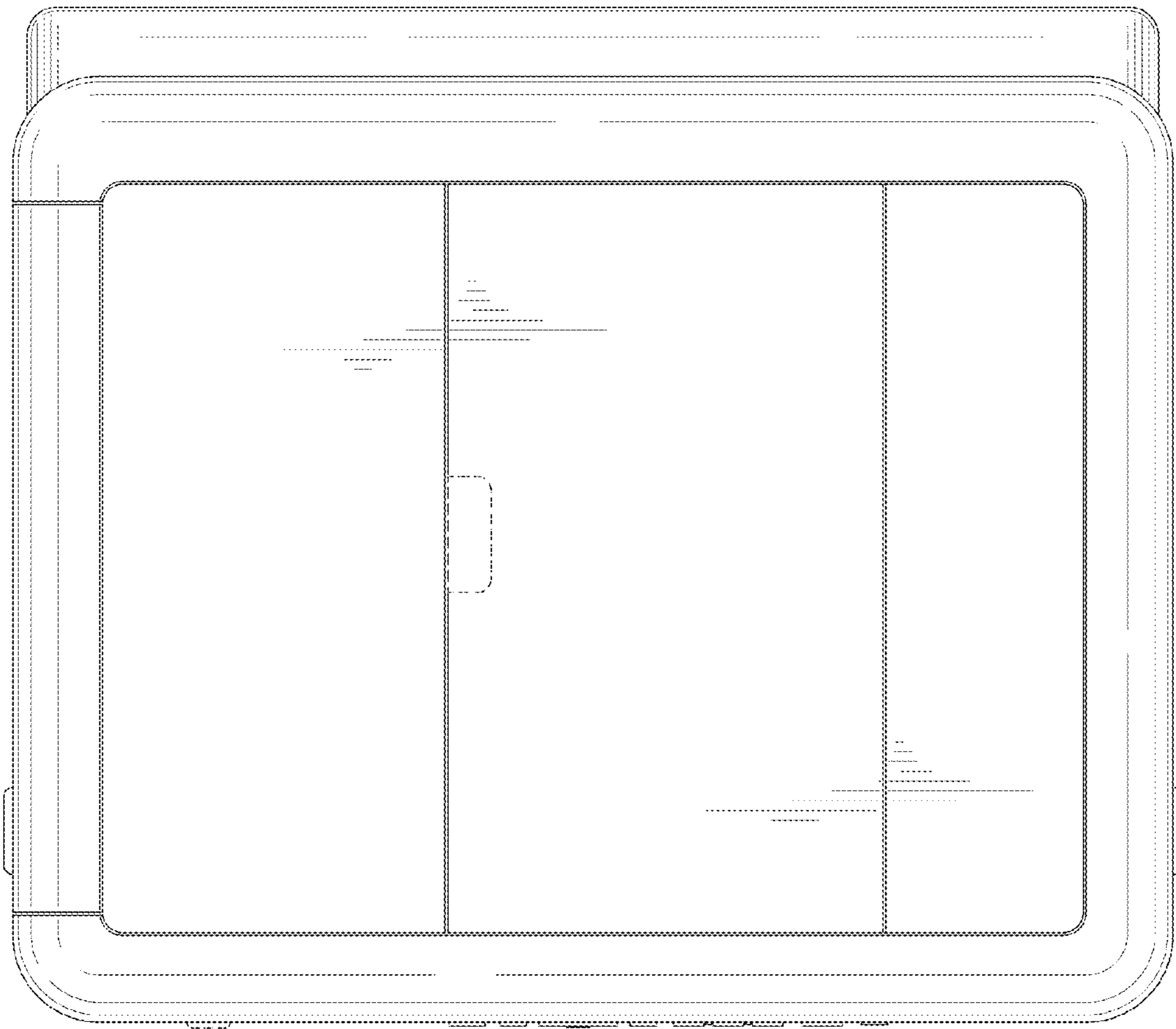


FIG. 3

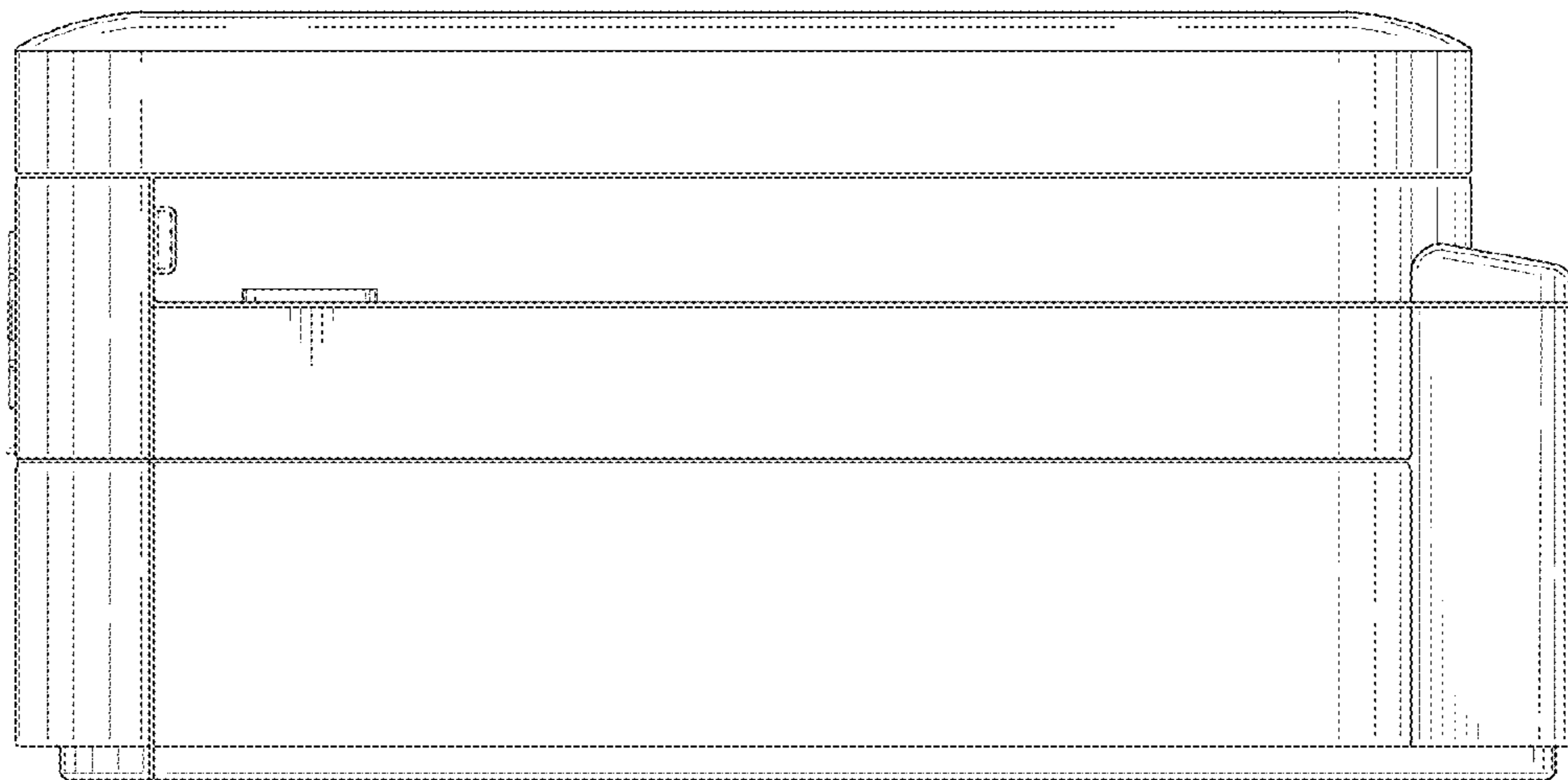


FIG. 4

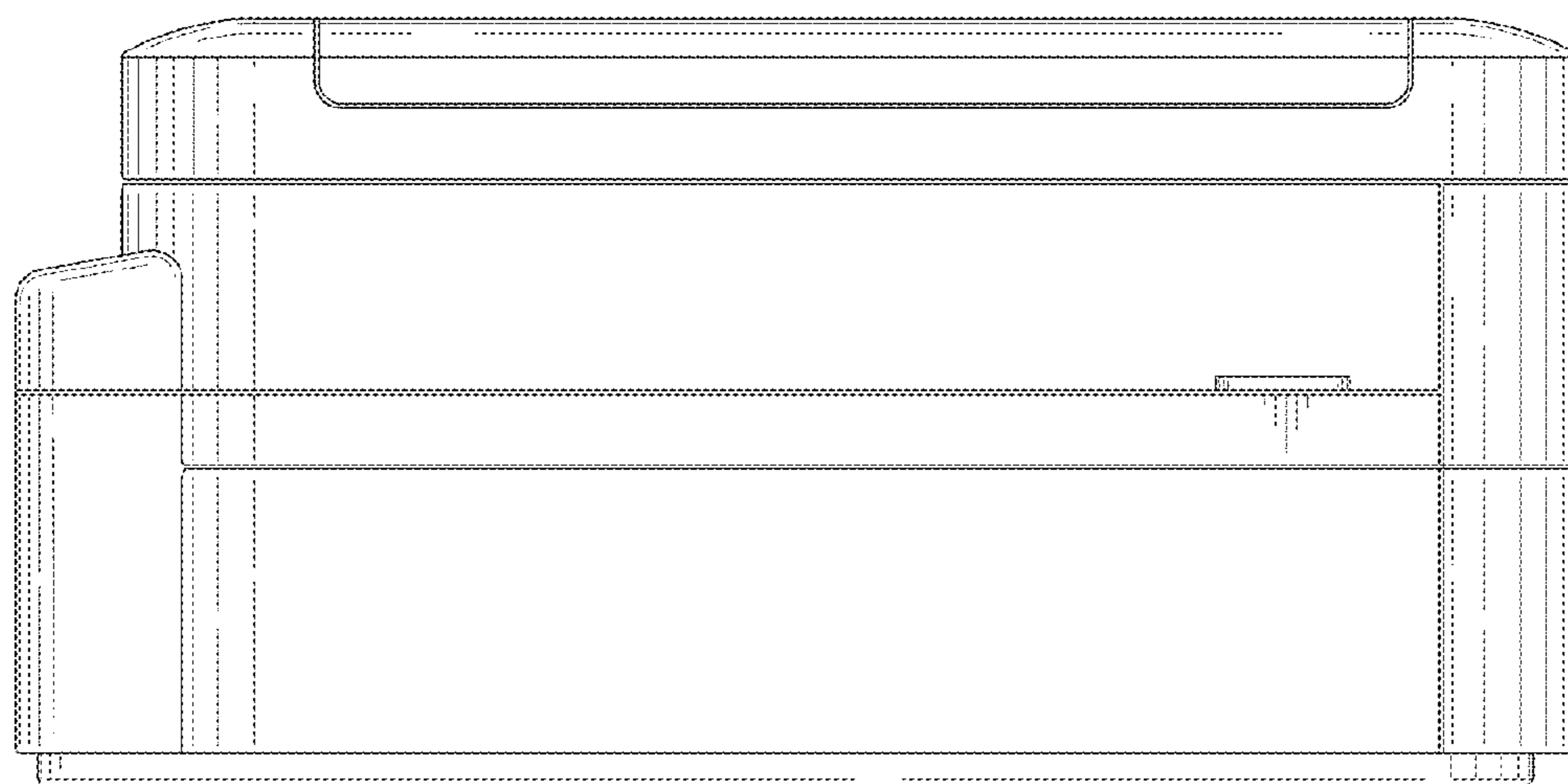


FIG. 5

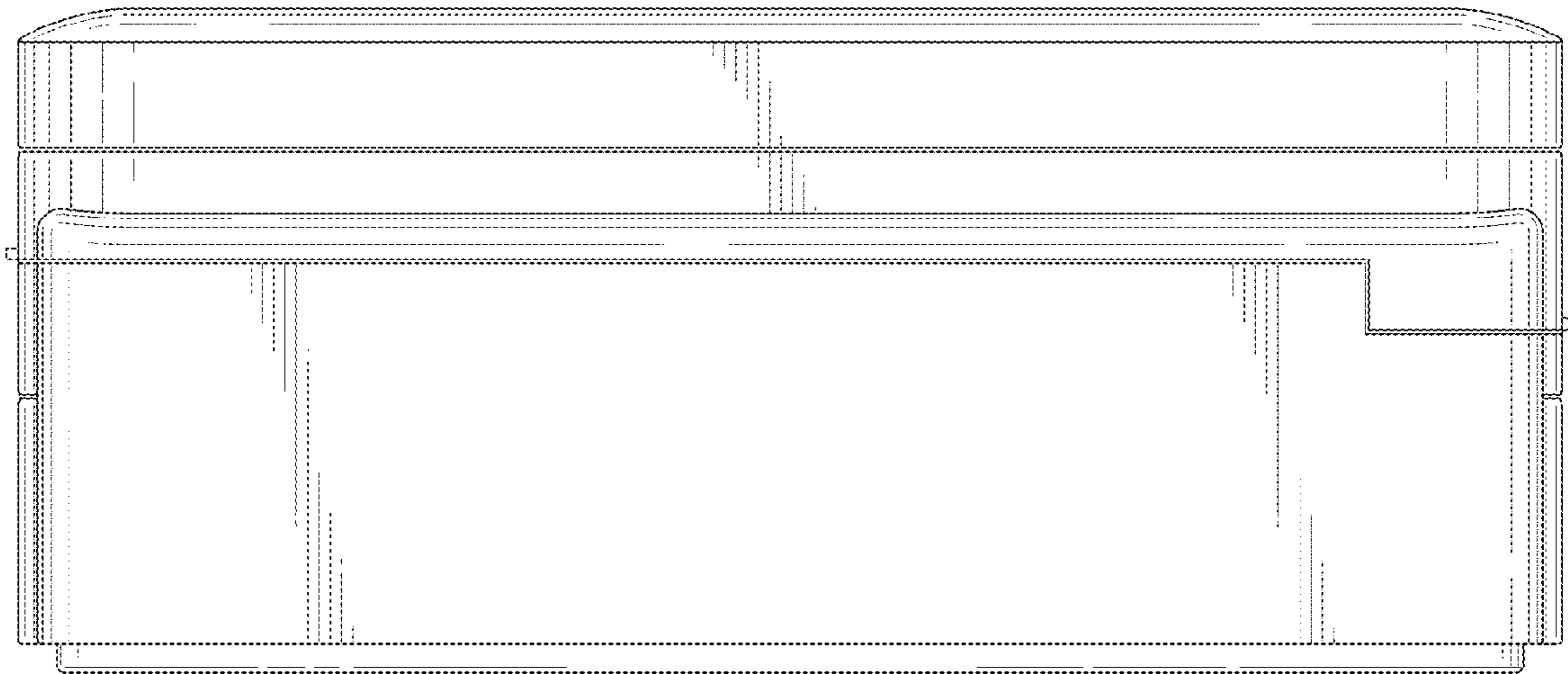


FIG. 6

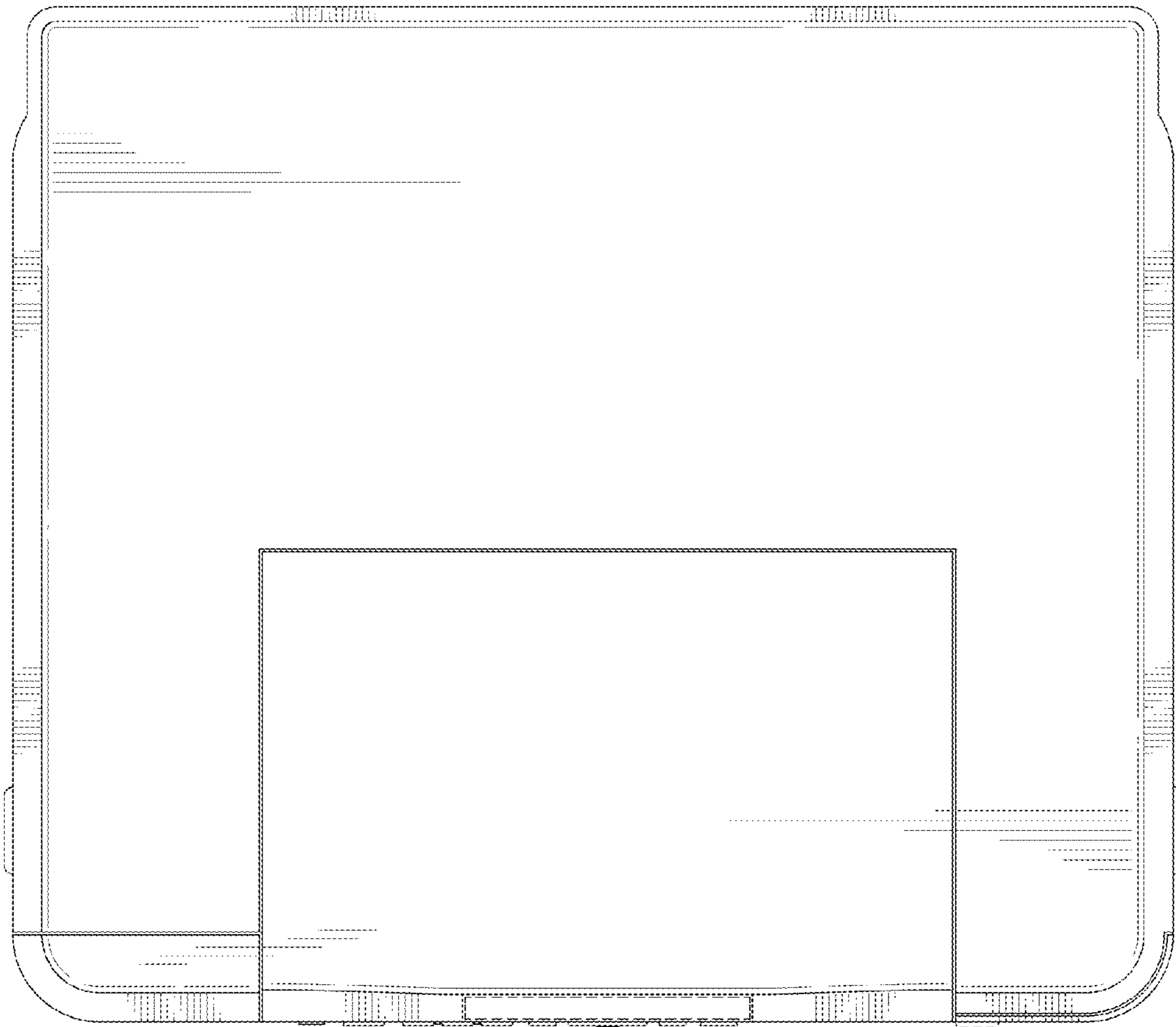


FIG. 7