



US00D743483S

(12) **United States Design Patent**  
**Nanno et al.**

(10) **Patent No.:** **US D743,483 S**  
(45) **Date of Patent:** **\*\* Nov. 17, 2015**

- (54) **PRINTER**
- (71) Applicants: **Ai Nanno**, Nagoya (JP); **Tomoyuki Nanno**, Nagoya (JP)
- (72) Inventors: **Ai Nanno**, Nagoya (JP); **Tomoyuki Nanno**, Nagoya (JP)
- (73) Assignee: **BROTHER INDUSTRIES, LTD.**, Nagoya (JP)
- (\*\*) Term: **14 Years**
- (21) Appl. No.: **29/486,361**
- (22) Filed: **Mar. 28, 2014**
- (30) **Foreign Application Priority Data**  
Nov. 21, 2013 (JP) ..... 2013-27244
- (51) **LOC (10) Cl.** ..... **14-02**
- (52) **U.S. Cl.**  
USPC ..... **D18/50**
- (58) **Field of Classification Search**  
USPC ..... D18/50, 53.54, 54.1, 55; D14/420-425, D14/462, 470; 400/613, 613.1-613.4, 400/690.1-690.4, 691-694  
See application file for complete search history.

D667,050	S	*	9/2012	Takeuchi	.....	D18/50
D667,051	S		9/2012	Sato		
D669,082	S		10/2012	Sato		
D675,673	S		2/2013	Sato		
D675,674	S	*	2/2013	Sato	.....	D18/50
D678,402	S		3/2013	Sato		
D722,109	S	*	2/2015	Nanno et al.	.....	D18/50
2014/0139986	A1	*	5/2014	Osakabe et al.	.....	361/679.01

**OTHER PUBLICATIONS**

- U.S. Appl. No. 29/484,000, filed Mar. 5, 2014 in the name of Yusaku Seki et al.
- U.S. Appl. No. 29/484,007, filed Mar. 5, 2014 in the name of Yusaku Seki et al.
- U.S. Appl. No. 29/467,373, filed Sep. 18, 2013 in the name of Yusaku Seki et al.
- U.S. Appl. No. 29/484,028, filed Mar. 5, 2014 in the name of Yusaku Seki et al.
- U.S. Appl. No. 29/486,407, filed Mar. 28, 2014 in the name of Ai Nanno et al.

\* cited by examiner

*Primary Examiner* — Cathy Anne MacCormac

(74) *Attorney, Agent, or Firm* — Oliff PLC

(57) **CLAIM**

The ornamental design for a printer, as shown and described.

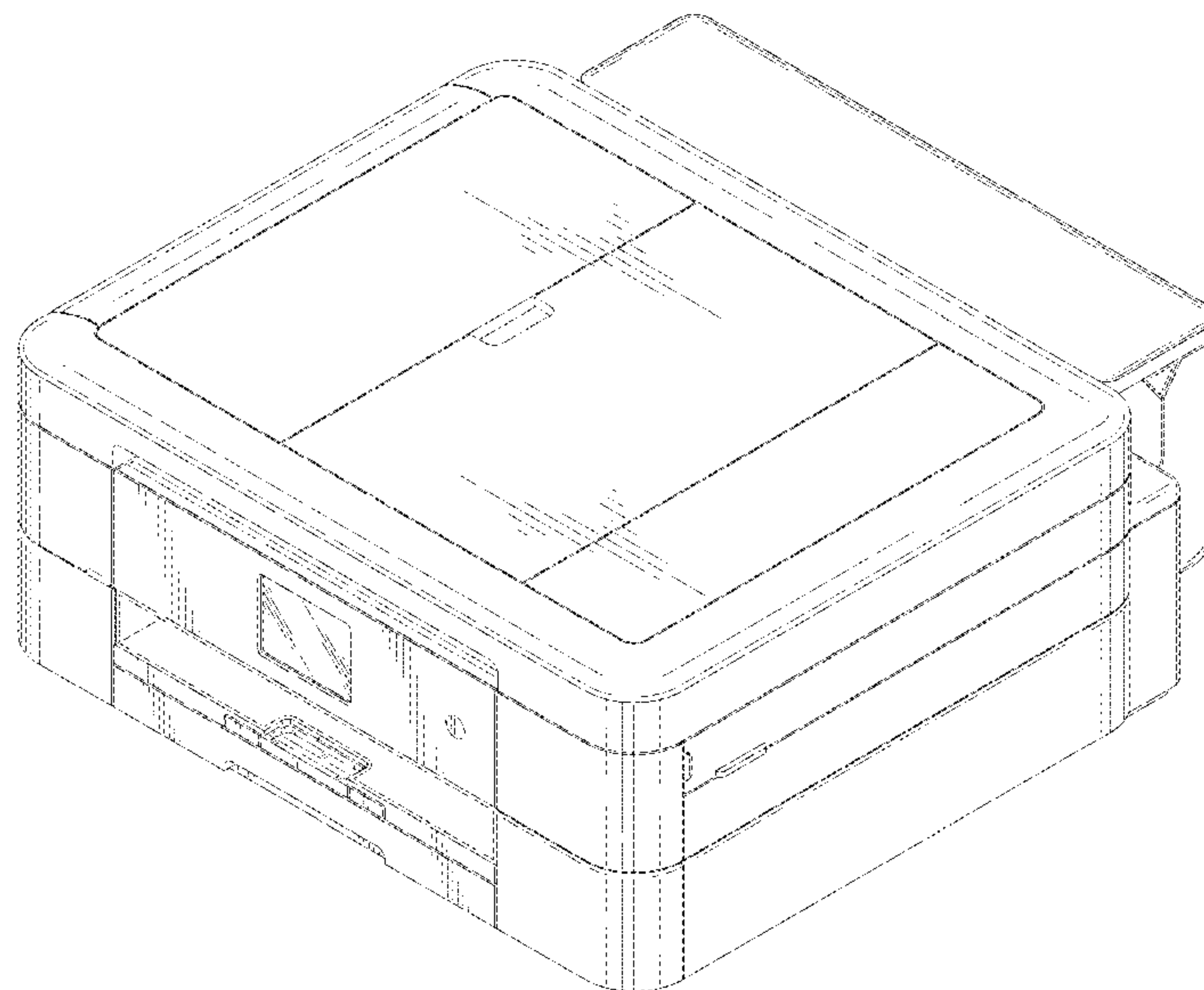
**DESCRIPTION**

FIG. 1 is a perspective view of a printer;  
 FIG. 2 is a front view thereof;  
 FIG. 3 is a top view thereof;  
 FIG. 4 is a right-side view thereof;  
 FIG. 5 is a left-side view thereof;  
 FIG. 6 is a rear view thereof; and,  
 FIG. 7 is a bottom view thereof.  
 The broken lines depict environmental subject matter only and form no part of the claimed design.

**1 Claim, 6 Drawing Sheets**

(56) **References Cited**  
U.S. PATENT DOCUMENTS

D614,234	S	*	4/2010	Ishikawa et al.	.....	D18/55
D643,462	S	*	8/2011	Yamashita et al.	.....	D18/50
D645,896	S		9/2011	Iwai et al.		
D648,377	S	*	11/2011	Miyauchi et al.	.....	D18/50
D648,379	S	*	11/2011	Ishikawa et al.	.....	D18/50
D665,014	S	*	8/2012	Matsuno et al.	.....	D18/50
D665,015	S	*	8/2012	Matsuno et al.	.....	D18/50
D665,016	S	*	8/2012	Matsuno et al.	.....	D18/50



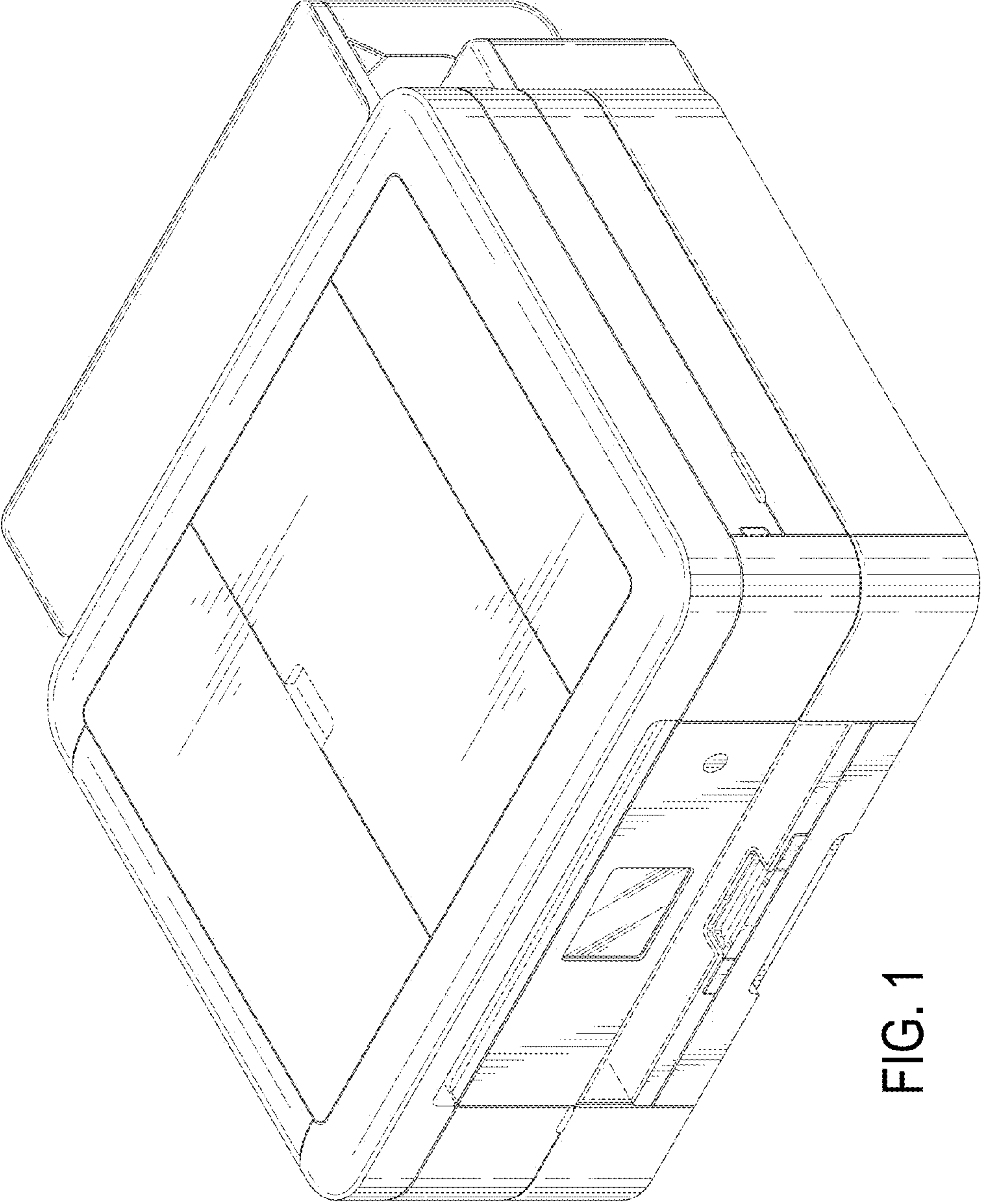


FIG. 1

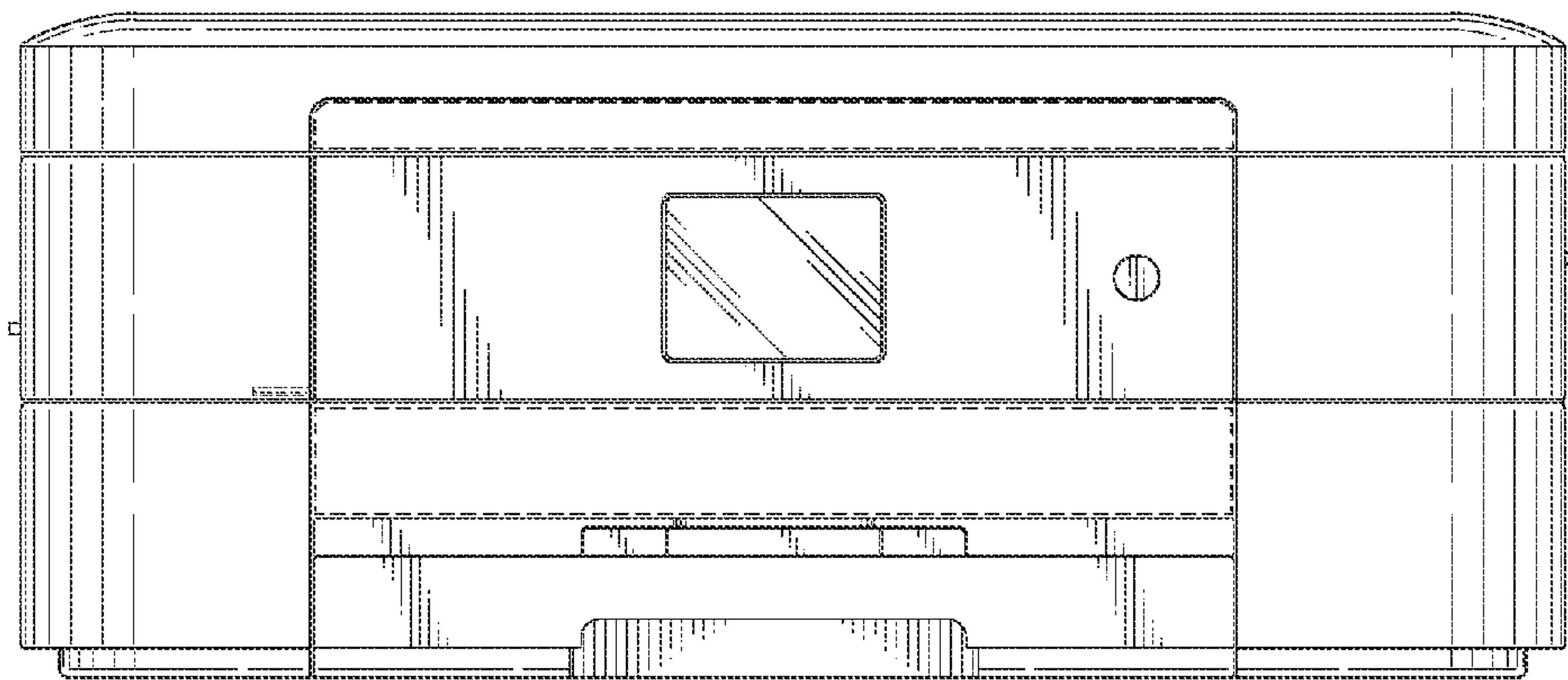


FIG. 2

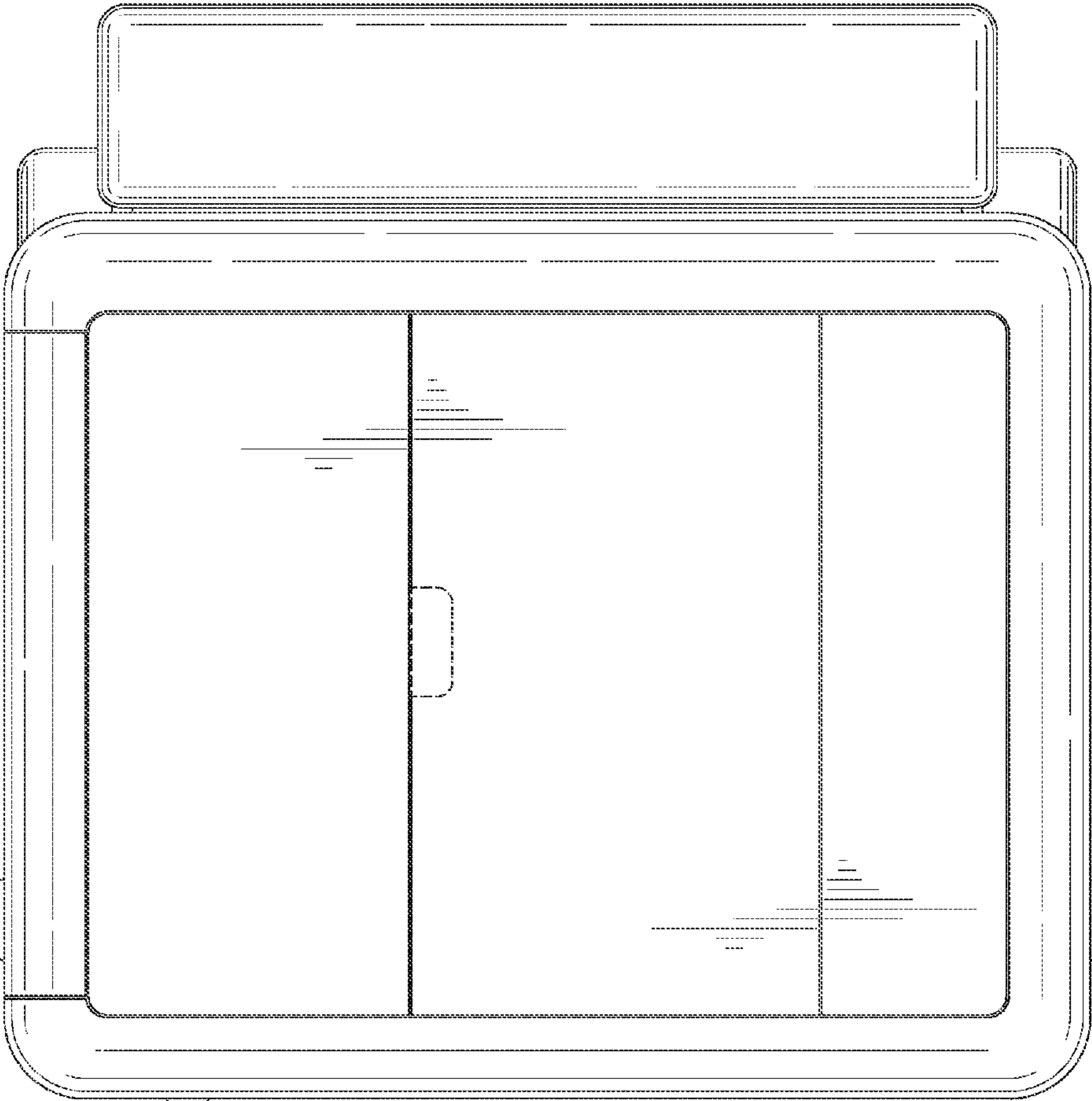


FIG. 3

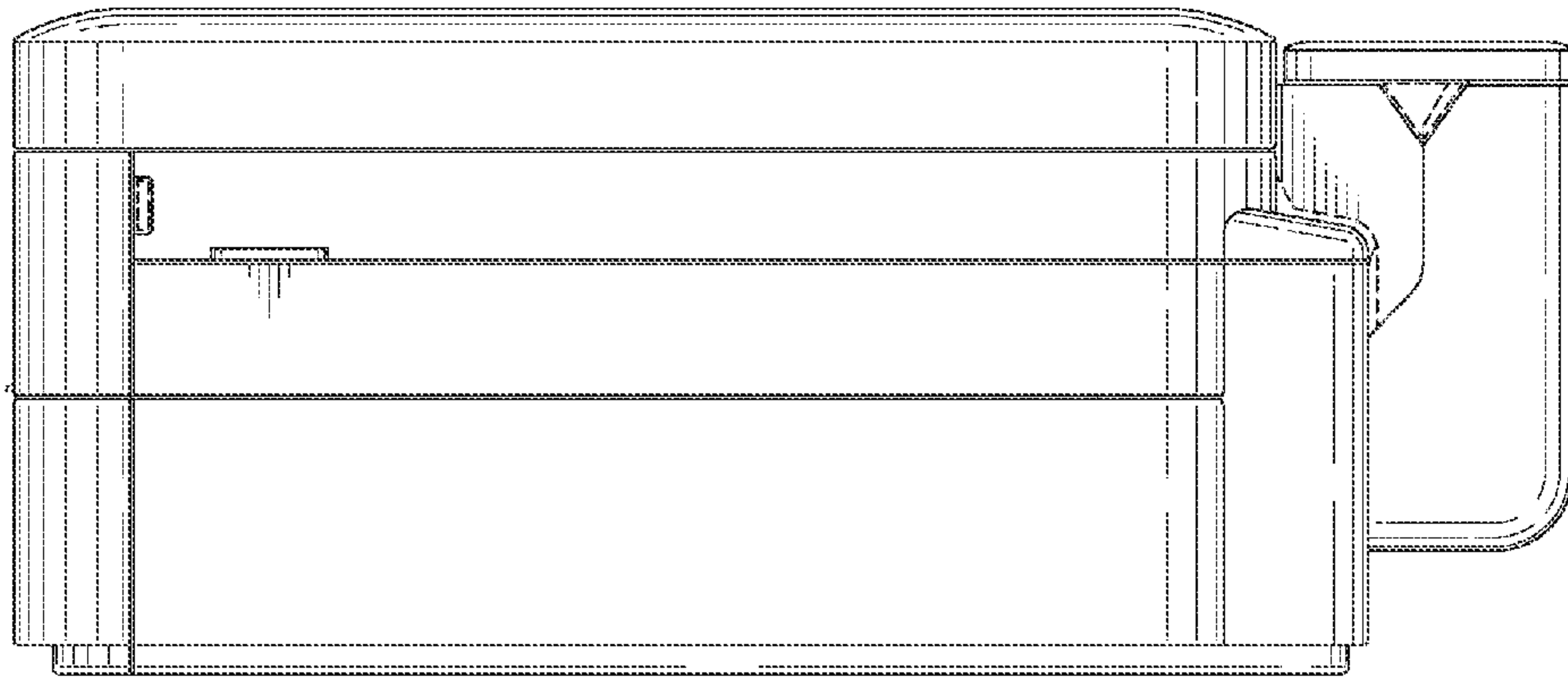


FIG. 4

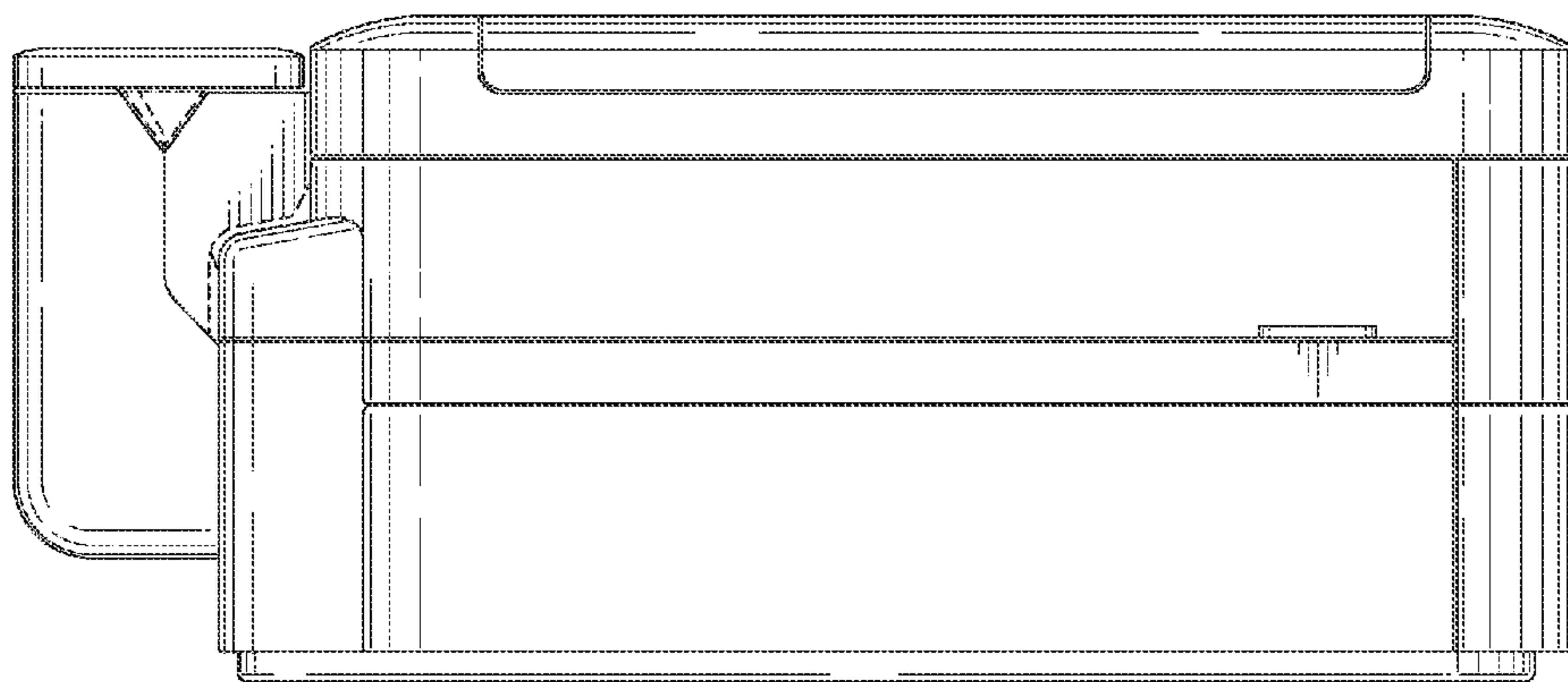


FIG. 5



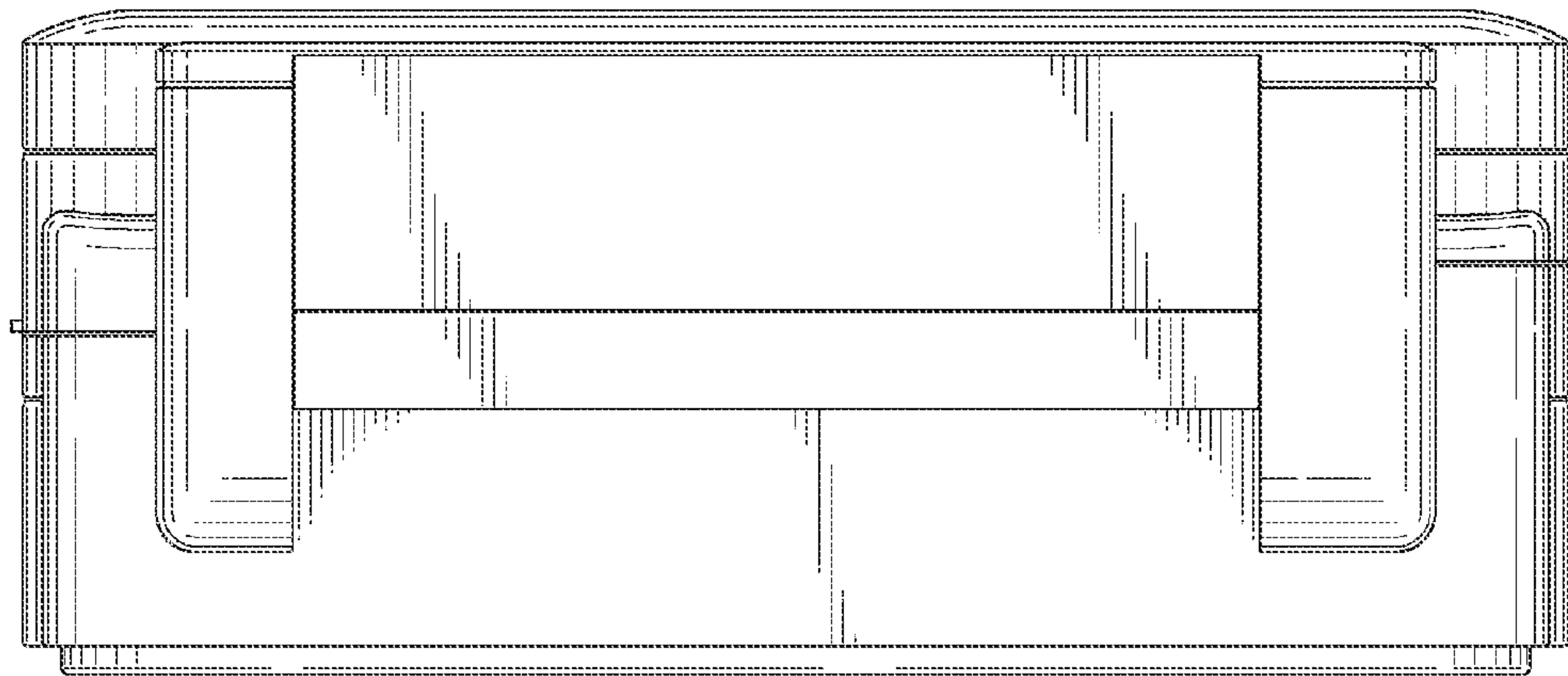


FIG. 6

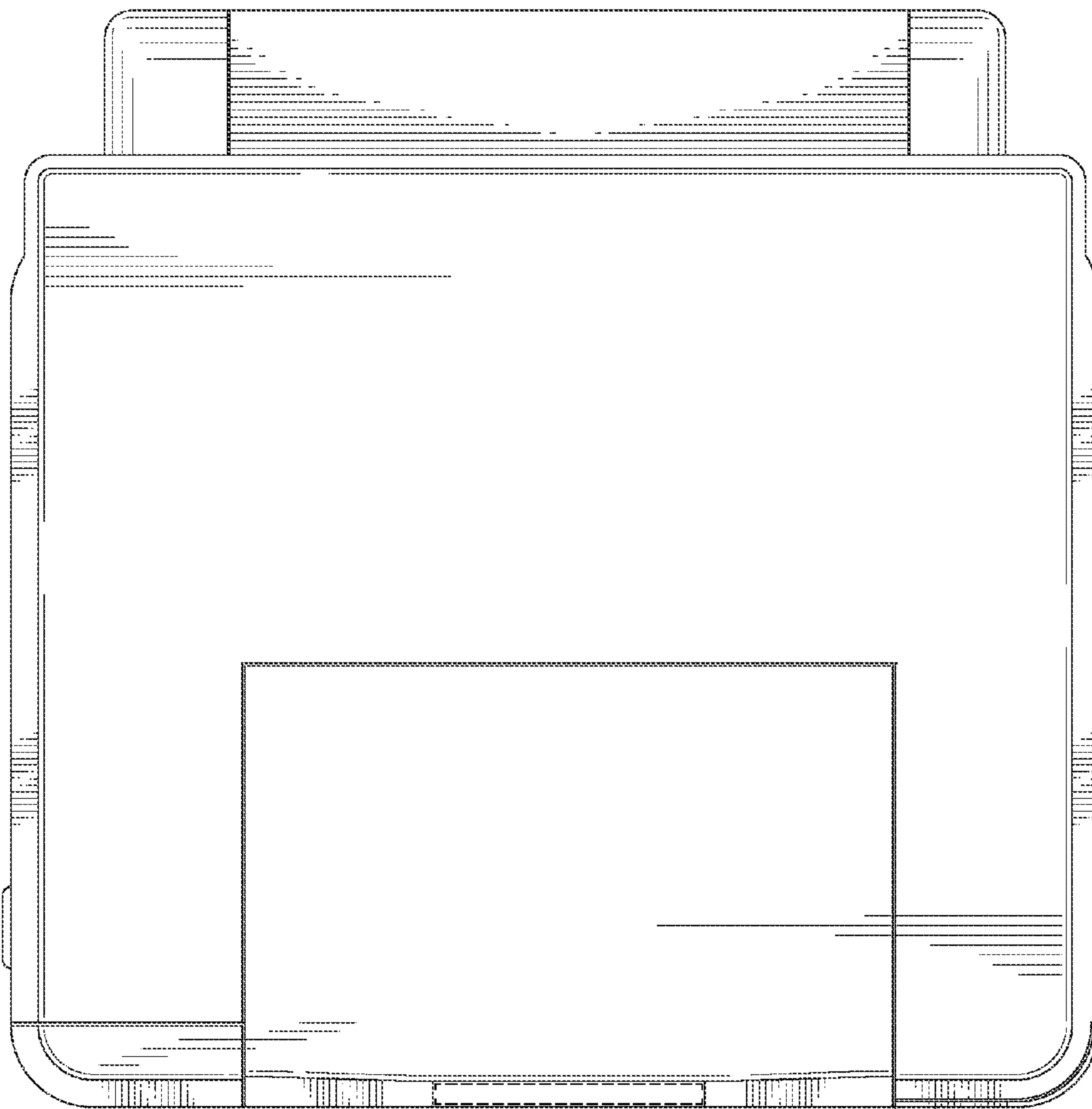


FIG. 7