



US00D743482S

(12) **United States Design Patent**
Kim et al.

(10) **Patent No.:** **US D743,482 S**
(45) **Date of Patent:** **** Nov. 17, 2015**

(54) **PRINTER**

(71) Applicant: **Samsung Electronics Co., Ltd.**,
Suwon-si (KR)

(72) Inventors: **Minchul Kim**, Buchunsi (KR);
Seungwook Jeong, Seoul (KR)

(73) Assignee: **Samsung Electronics Co., Ltd.**,
Suwon-si (KR)

(**) Term: **14 Years**

(21) Appl. No.: **29/484,796**

(22) Filed: **Mar. 13, 2014**

(30) **Foreign Application Priority Data**

Sep. 26, 2013 (KR) 30-2013-0049104

(51) **LOC (10) Cl.** **14-02**

(52) **U.S. Cl.**
USPC **D18/50**

(58) **Field of Classification Search**

USPC D18/50, 54.1, 55, 48-49;
D14/420-425, 462, 470; 400/613,
400/613.1-613.4, 690.1-690.4, 691-694;
D21/369-371; D2/864

See application file for complete search history.

(56) **References Cited**

U.S. PATENT DOCUMENTS

D275,677 S * 9/1984 Suzuki et al. D18/54
D276,810 S * 12/1984 Roche D18/54
D319,655 S * 9/1991 Tokuda et al. D18/54
D320,406 S * 10/1991 Tokuda D18/54
D344,974 S * 3/1994 Clark et al. D18/54
D387,337 S * 12/1997 Sween et al. D14/420
D395,463 S * 6/1998 Scott et al. D21/370
5,820,460 A * 10/1998 Fulton D21/369
5,823,874 A * 10/1998 Adams D21/370

D416,663 S * 11/1999 Thomas D2/864
D439,931 S * 4/2001 Yamaguchi D21/369
D450,094 S * 11/2001 Hedrick et al. D21/369
D452,535 S * 12/2001 Johnson et al. D21/370
D462,380 S * 9/2002 Ortiz et al. D18/47
D468,364 S * 1/2003 Beadell et al. D21/369
D473,899 S * 4/2003 Munoz et al. D21/370
D483,803 S * 12/2003 Funato D18/53
D493,024 S * 7/2004 Bergkvist D2/864
D509,256 S * 9/2005 Pierce D21/370
D530,887 S * 10/2006 Harless D2/861
D568,115 S * 5/2008 Trogerman D21/370
D684,752 S * 6/2013 Nguyen D2/864
D689,865 S * 9/2013 Kitamura et al. D14/422
D719,168 S * 12/2014 Tani D14/422

* cited by examiner

Primary Examiner — Cathy A MacCormac

(74) *Attorney, Agent, or Firm* — NSIP Law

(57) **CLAIM**

We claim the ornamental design for a printer, as shown and described.

DESCRIPTION

FIG. 1 is a front perspective view of a printer showing our new design;
FIG. 2 is a front view thereof;
FIG. 3 is a rear view thereof;
FIG. 4 is a left-side view thereof;
FIG. 5 is a right-side view thereof;
FIG. 6 is a top view thereof;
FIG. 7 is a bottom view thereof; and,
FIG. 8 is another front perspective view thereof, showing the printer in an alternate position.

The broken lines in the figures show portions of the printer which form no part of the claimed design.

The broken line showing of the example environment in FIG. 8 is for environmental purposes only and forms no part of the claimed design.

1 Claim, 8 Drawing Sheets

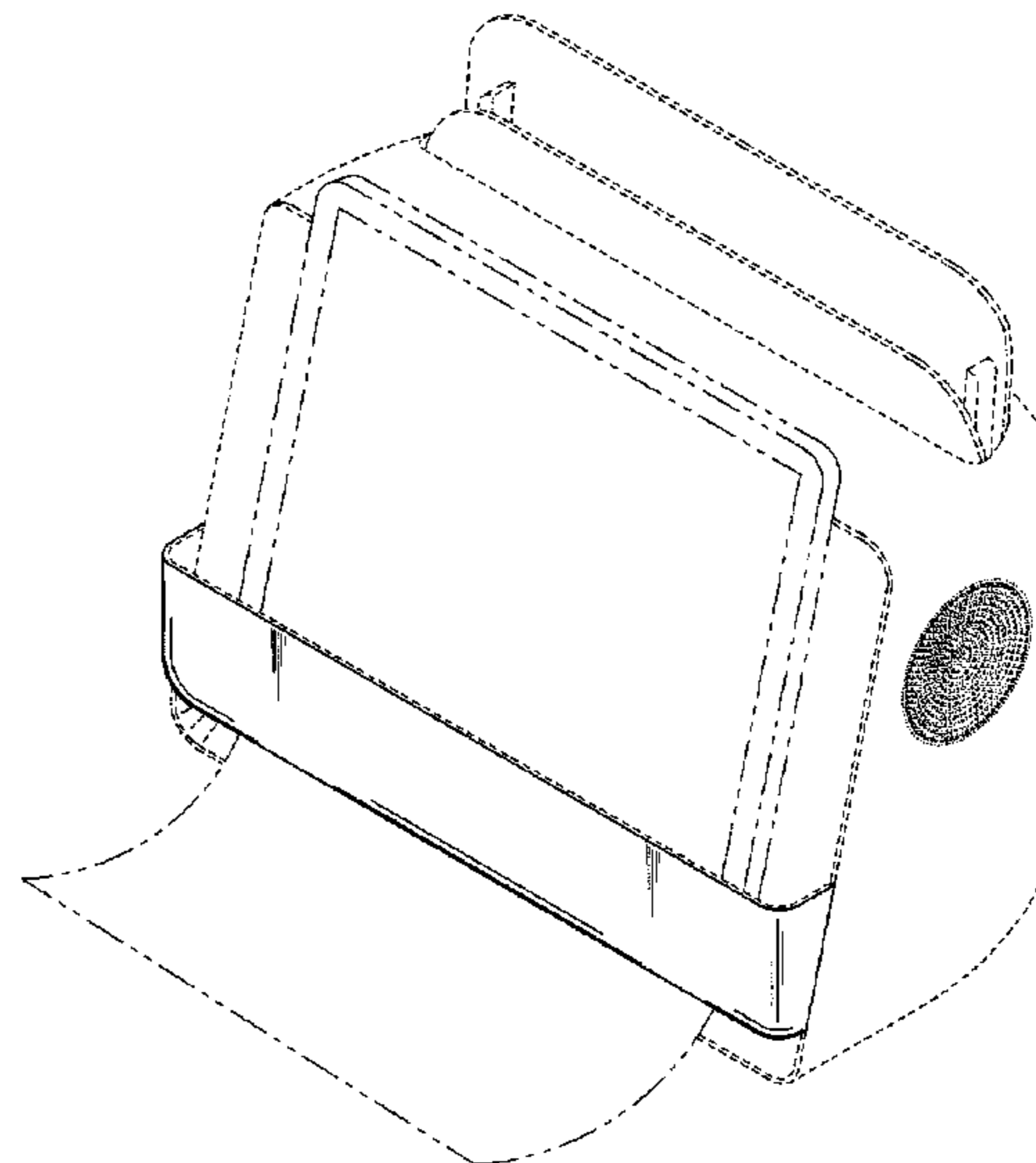
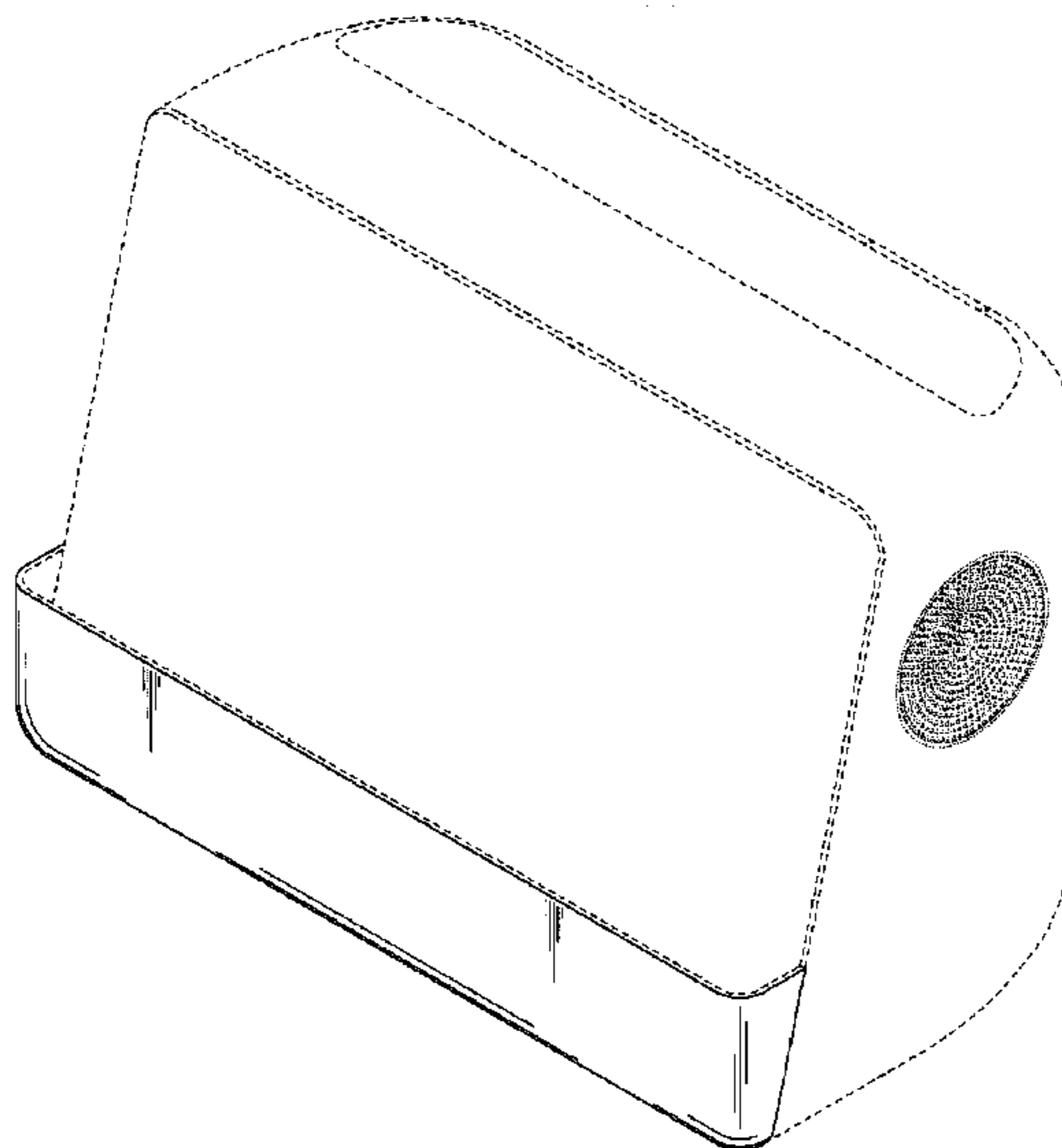


FIG. 1

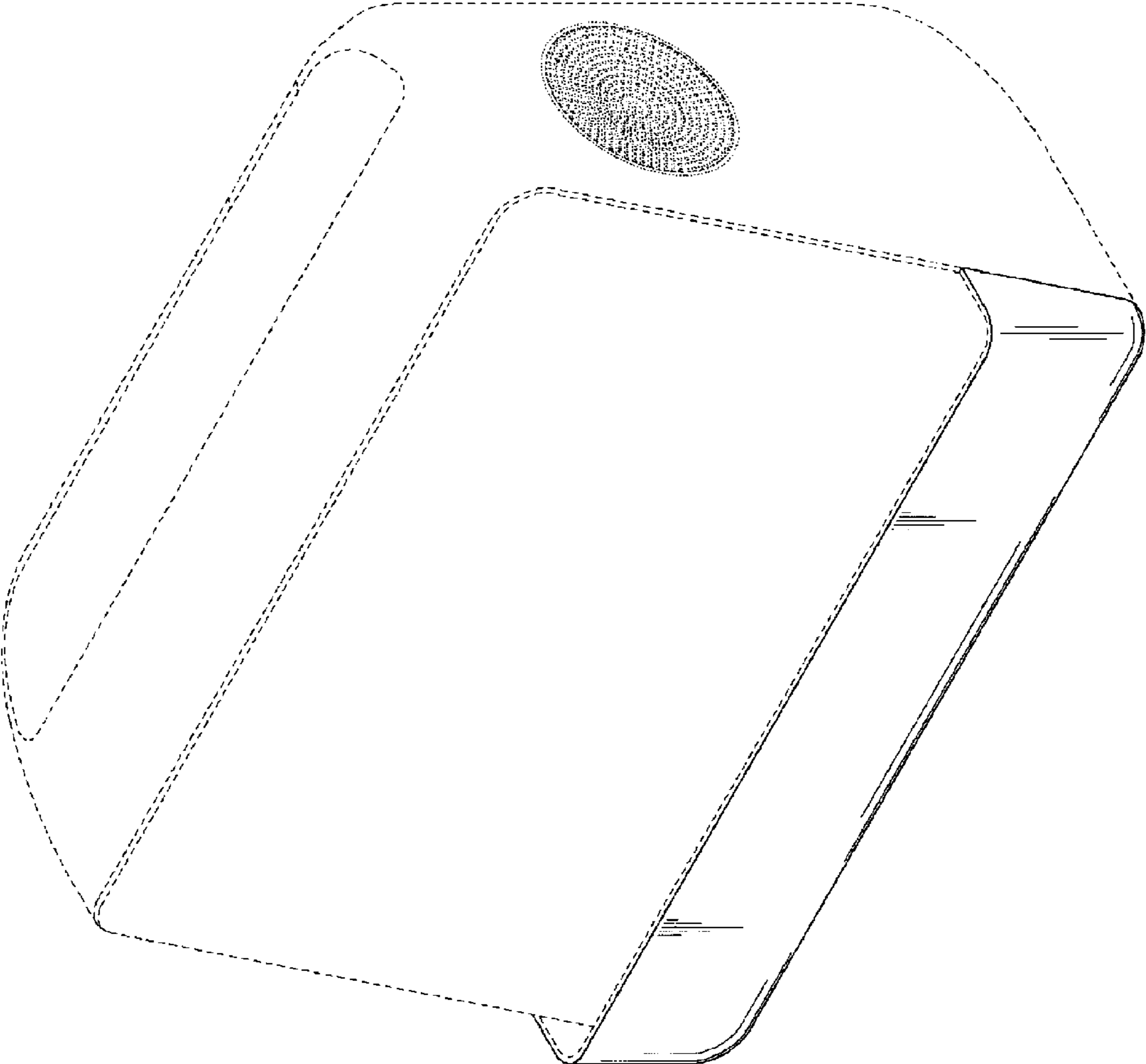


FIG. 2

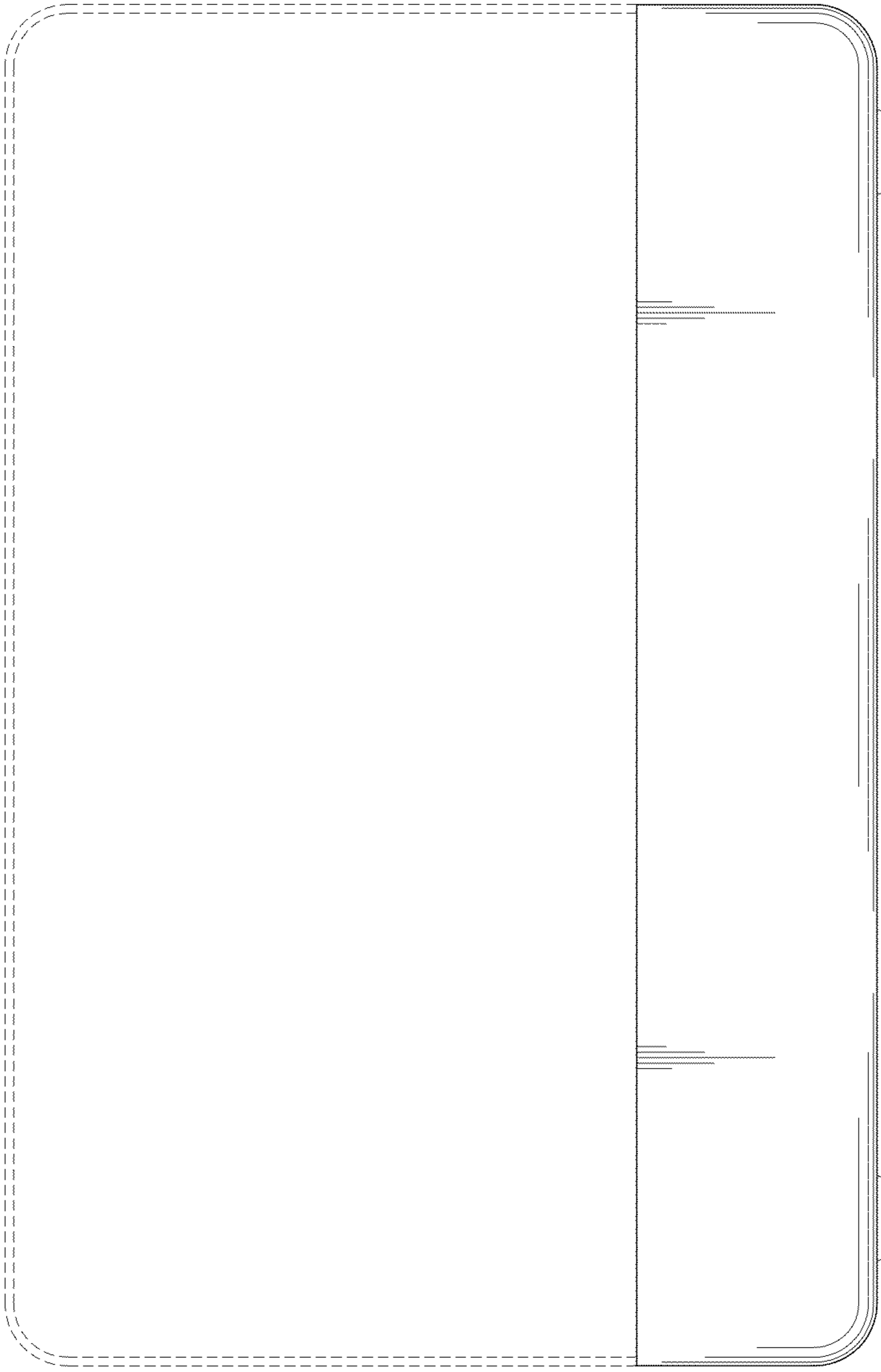


FIG. 3

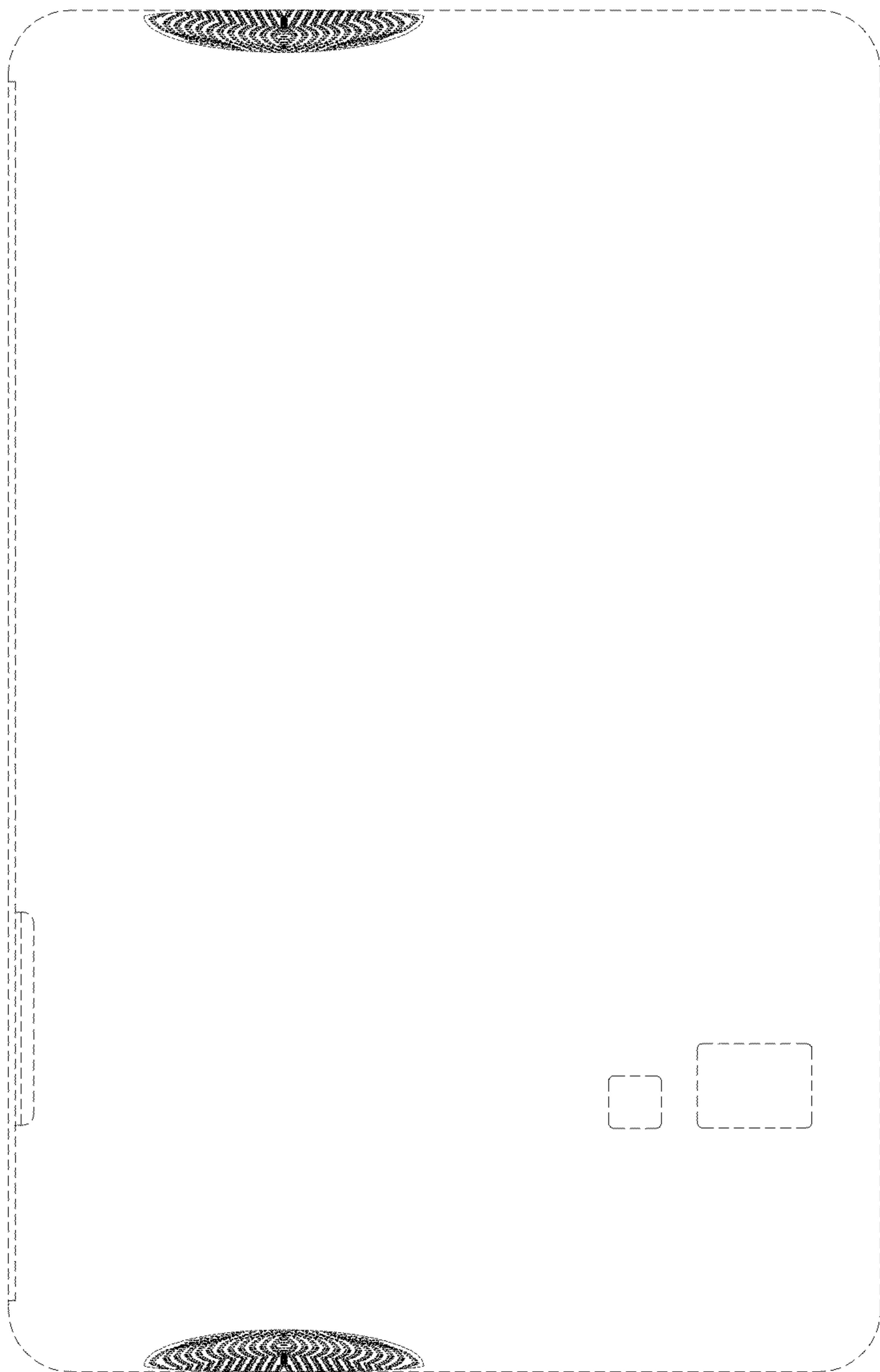


FIG. 4

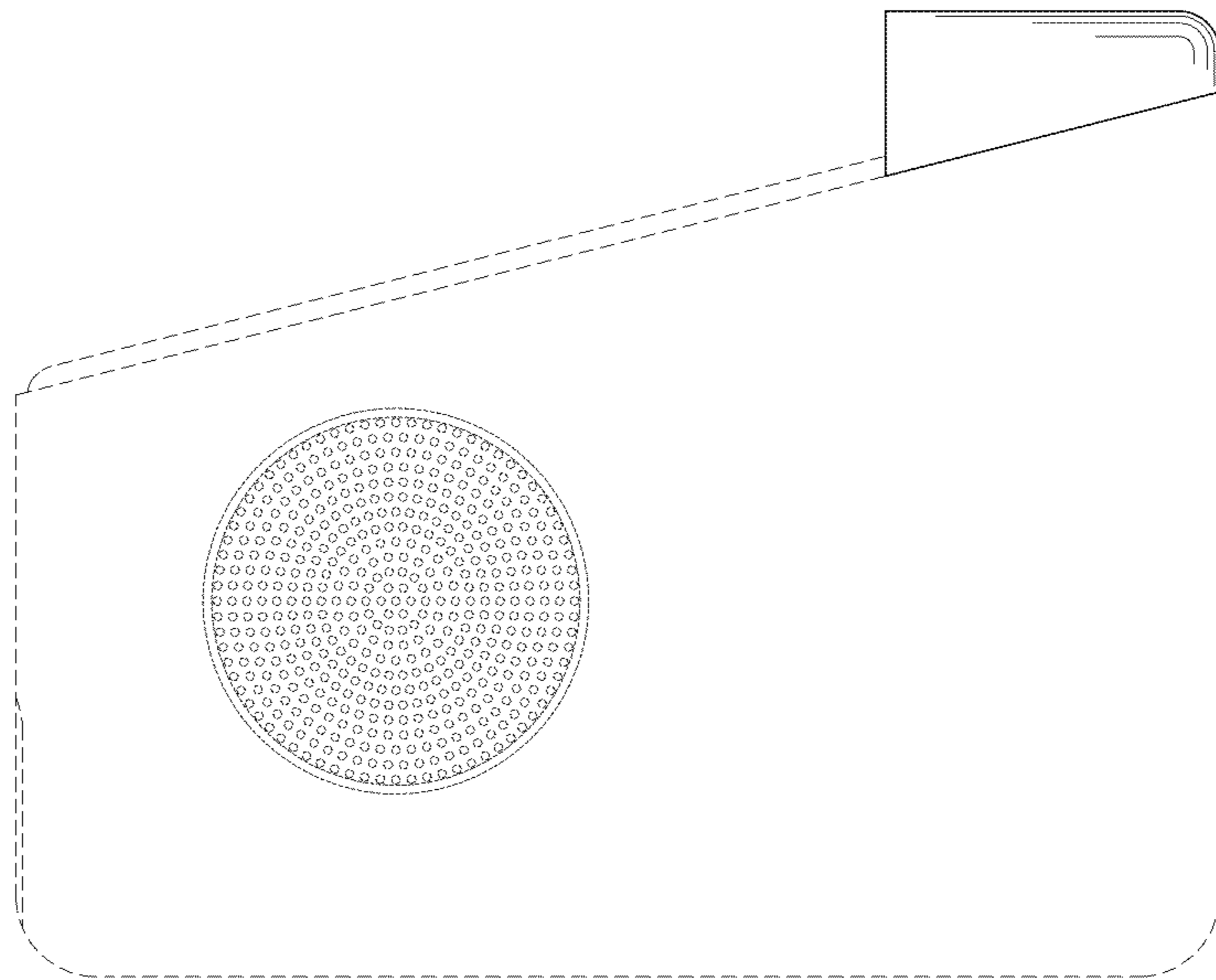


FIG. 5

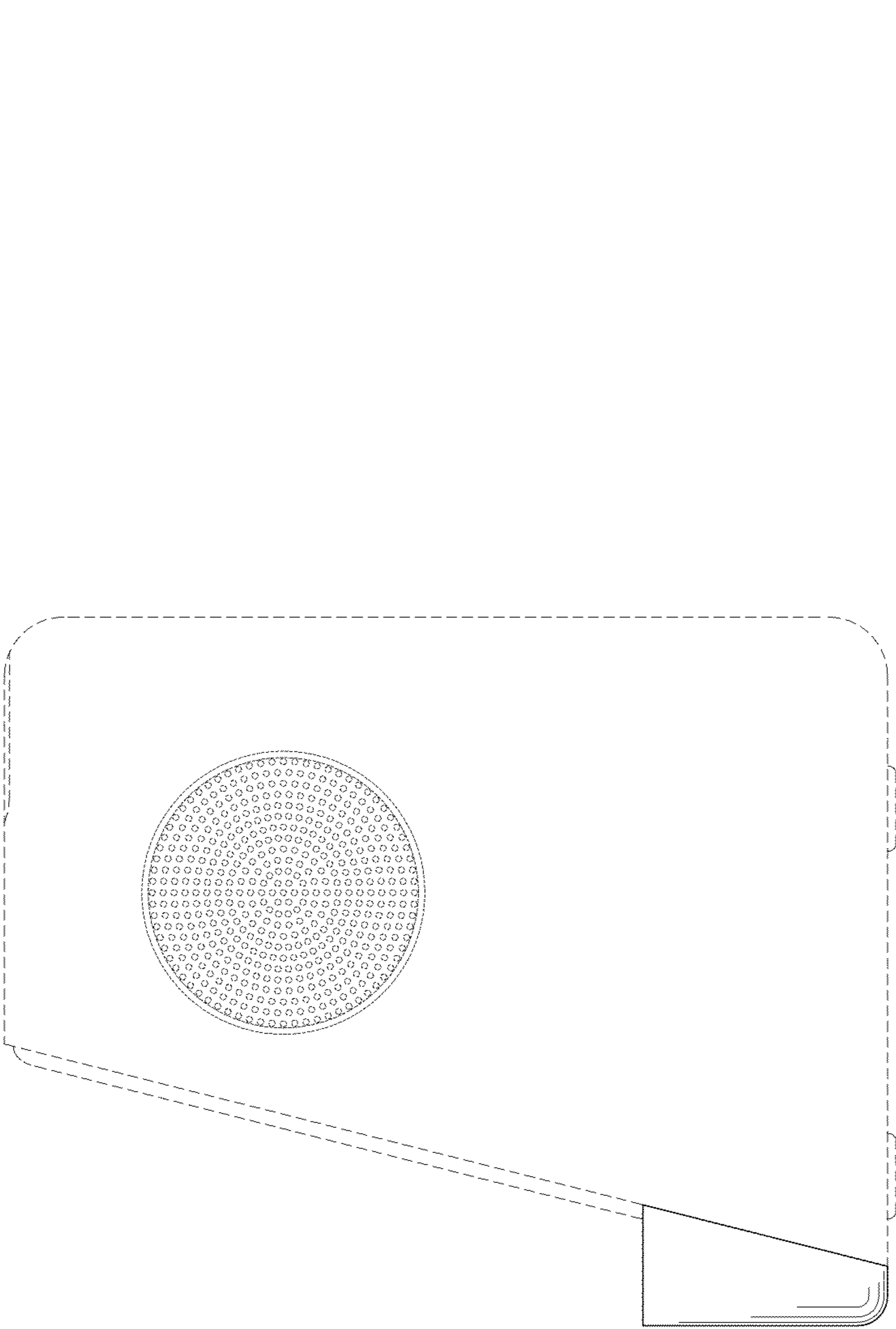


FIG. 6



FIG. 7

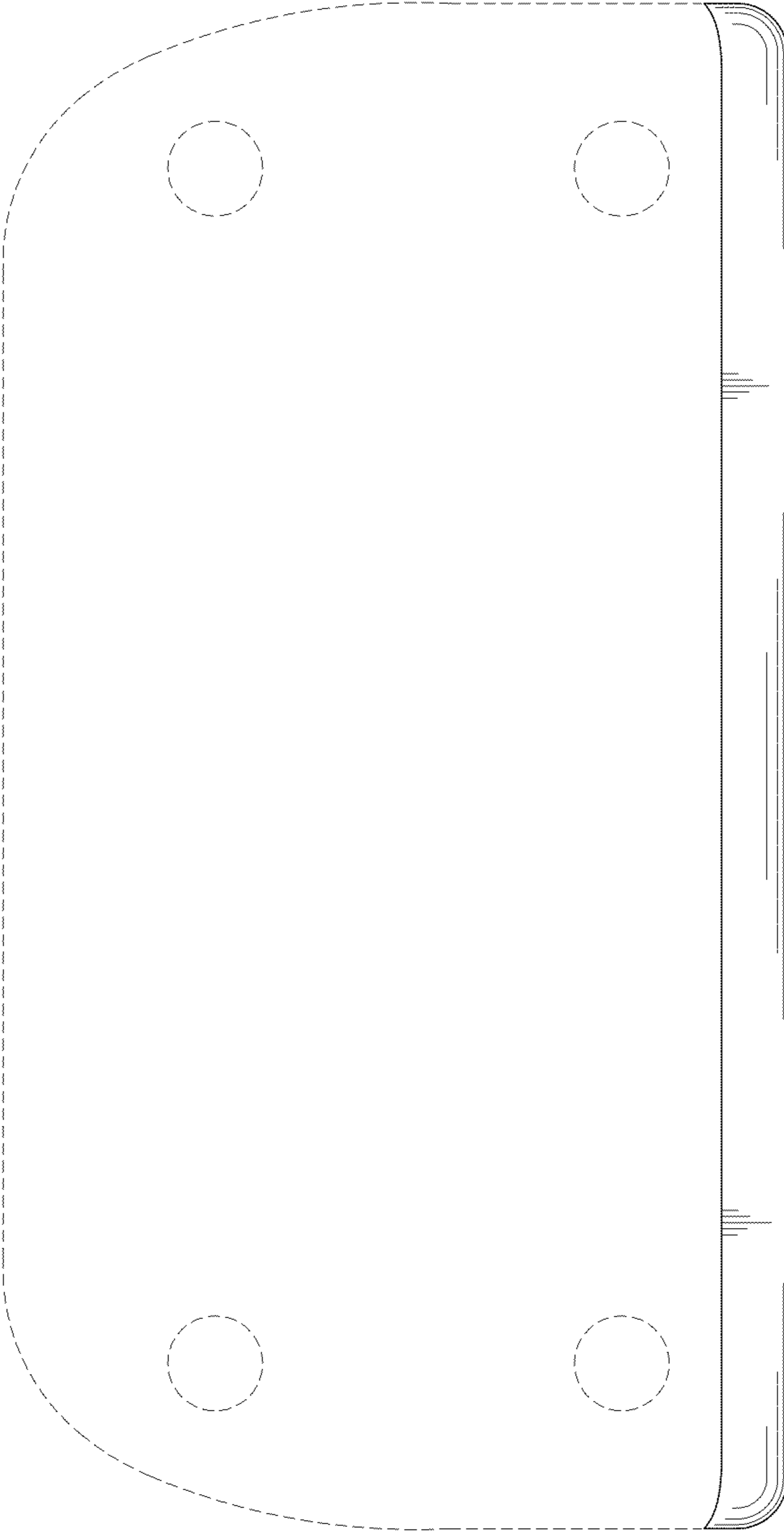


FIG. 8

