



US00D743477S

(12) **United States Design Patent**
Strecker

(10) **Patent No.:** **US D743,477 S**
(45) **Date of Patent:** **** Nov. 17, 2015**

(54) **EYEGLASSES**
(71) Applicant: **Silhouette International Schmied AG,**
Linz (AT)
(72) Inventor: **Angela Strecker,** Steyr (AT)
(73) Assignee: **Silhouette International Schmied AG,**
Linz (AT)

6,655,800 B2 12/2003 Takeda et al.
6,729,725 B1 5/2004 Cheng
D533,579 S 12/2006 Raile
D534,943 S * 1/2007 Mouclier D16/335
D544,901 S 6/2007 Fuchs
D556,819 S 12/2007 Fuchs
D567,838 S 4/2008 Fuchs
D567,839 S 4/2008 Fuchs
D577,377 S 9/2008 Fuchs
D581,448 S 11/2008 Fuchs
D582,965 S 12/2008 Fuchs
D590,005 S 4/2009 Fuchs
D597,123 S 7/2009 Strecker
D602,975 S 10/2009 Fuchs

(**) Term: **14 Years**
(21) Appl. No.: **29/461,687**

(Continued)

(22) Filed: **Jul. 26, 2013**

OTHER PUBLICATIONS

(30) **Foreign Application Priority Data**

Design U.S. Appl. No. 29/420,446, filed May 9, 2012, In re: Fuchs;
entitled *Eyeglasses*.

May 23, 2013 (EM) 002242065

(Continued)

(51) **LOC (10) Cl.** **16-06**

Primary Examiner — Raphael Barkai

(52) **U.S. Cl.**

(74) *Attorney, Agent, or Firm* — Alston & Bird LLP

USPC **D16/335**

(58) **Field of Classification Search**

(57) **CLAIM**

USPC D16/101, 300–342, 900; D29/109–110;
351/41, 44, 51–52, 62, 158, 92,
351/103–123, 140–153, 63, 59, 45–48;
2/426–432, 447–449, 441, 434–437,
2/13, 15; D21/483, 659–661; D14/372
CPC G02C 2200/08; G02C 1/06; G02C 5/14;
G02C 11/02; G02C 11/04; G02C 5/16;
G02C 2200/22; G02C 5/146; G02C 5/2254;
G02C 5/008; G01C 5/16; A61M 2021/0044;
A63B 33/002

I claim the ornamental design for eyeglasses, as shown and
described.

See application file for complete search history.

DESCRIPTION

(56) **References Cited**

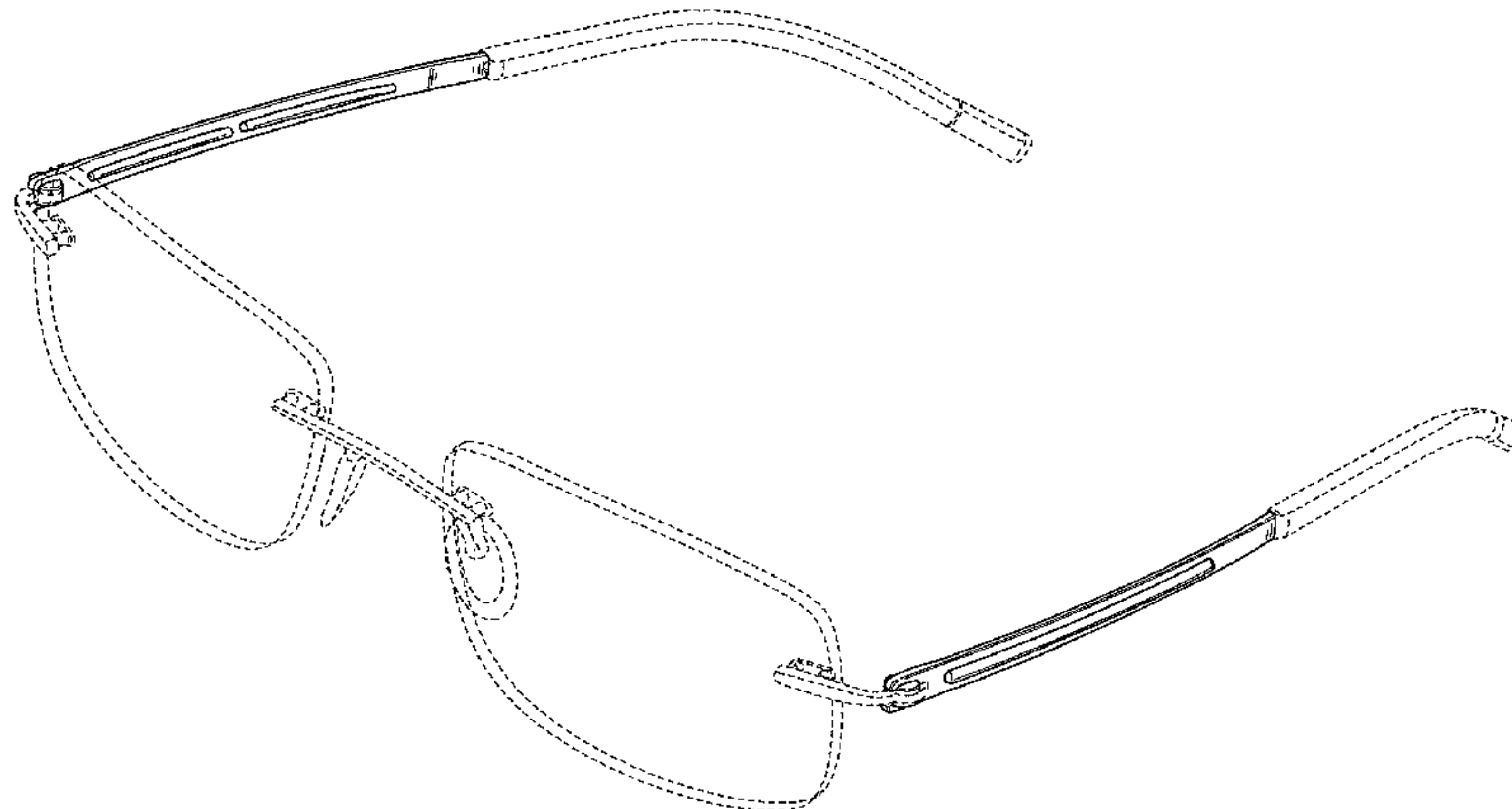
FIG. 1 is a perspective view of eyeglasses showing my new
design;
FIG. 2 is a front elevation view thereof;
FIG. 3 is a rear elevation view thereof;
FIG. 4 is a top plan view thereof;
FIG. 5 is a bottom plan view thereof;
FIG. 6 is a left side elevation view thereof, the right side being
a mirror image thereof; and,
FIG. 7 is a side elevation cross-section view thereof taken
along line 7-7 in FIG. 4.

U.S. PATENT DOCUMENTS

1,285,177 A * 11/1918 Hochstein 359/481
D149,634 S * 5/1948 Hansen D16/335
D152,502 S * 1/1949 Stegeman D16/335
D406,859 S * 3/1999 Brune D16/335

The broken lines are directed to environment or unclaimed
features. The broken lines form no part of the claimed design.

1 Claim, 5 Drawing Sheets



(56)

References Cited

OTHER PUBLICATIONS

U.S. PATENT DOCUMENTS

D604,758 S * 11/2009 Rohrbach et al. D16/326
D631,084 S 1/2011 Phillips
D633,128 S 2/2011 Fuchs
D654,947 S * 2/2012 Shin et al. D16/326
D721,128 S * 1/2015 Yoo D16/335

Design U.S. Appl. No. 29/394,500, filed Jun. 17, 2011, In re: Fuchs, entitled *Eyeglasses*.

Design U.S. Appl. No. 29/385,496, filed Feb. 15, 2011, In re: Fuchs, entitled *Eyeglasses*.

* cited by examiner

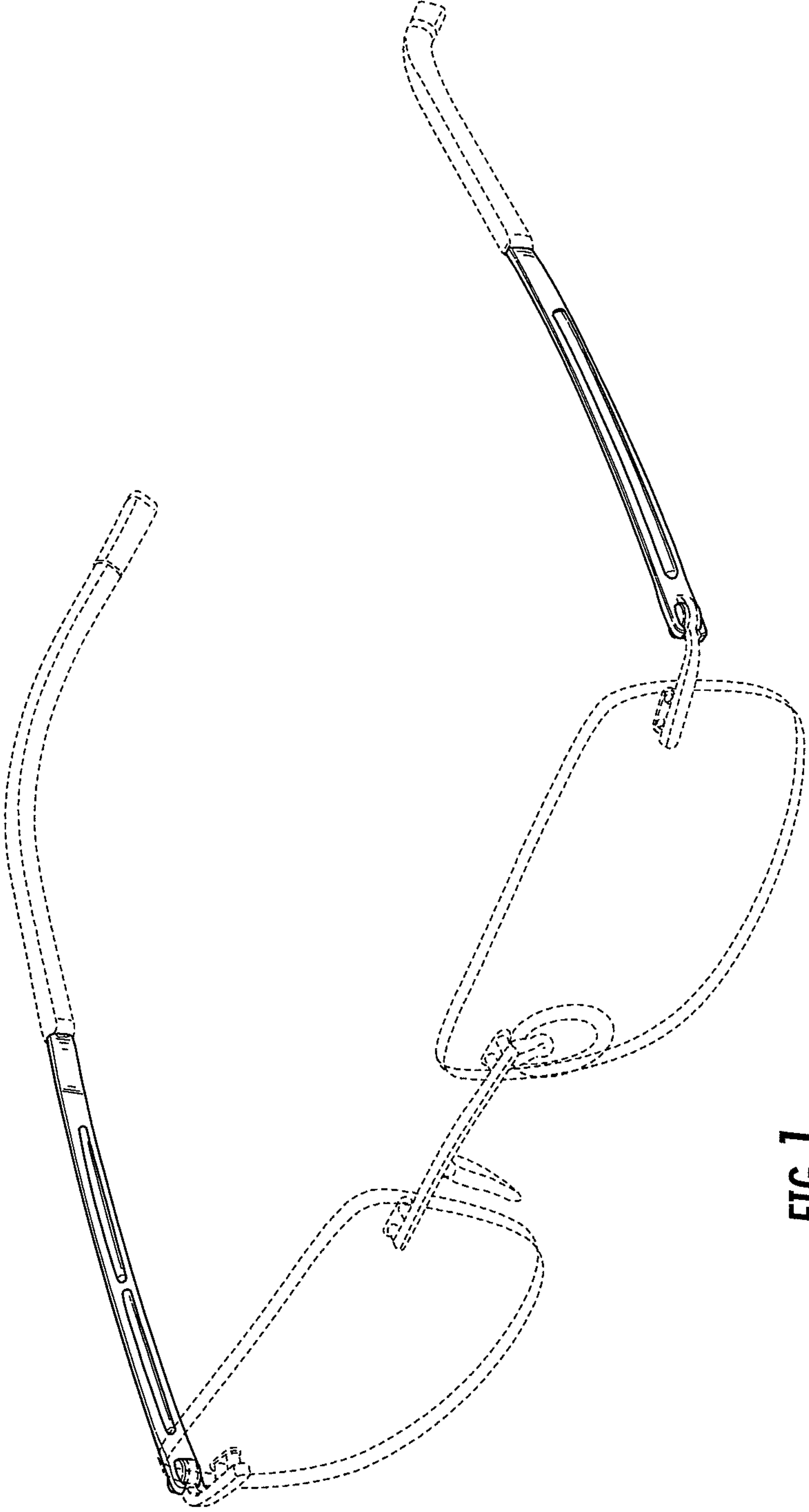


FIG. 1

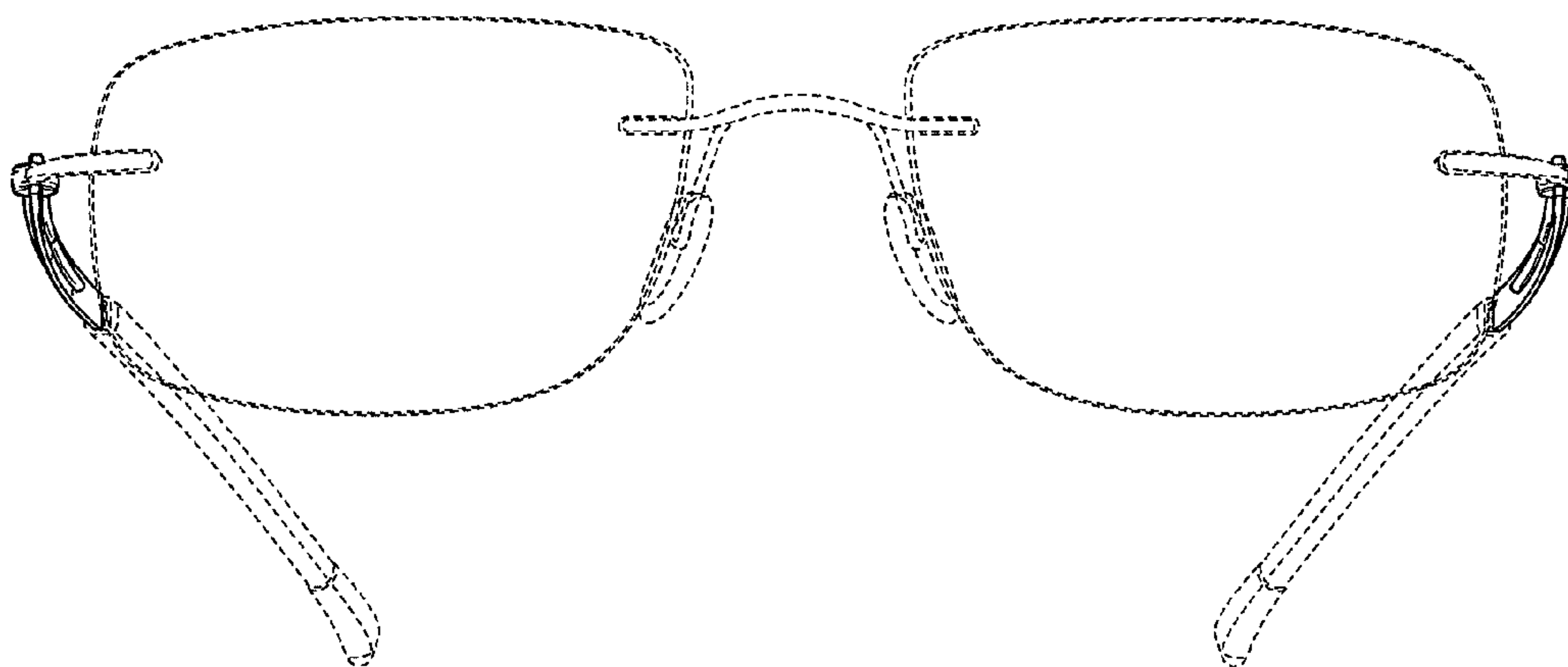


FIG. 2

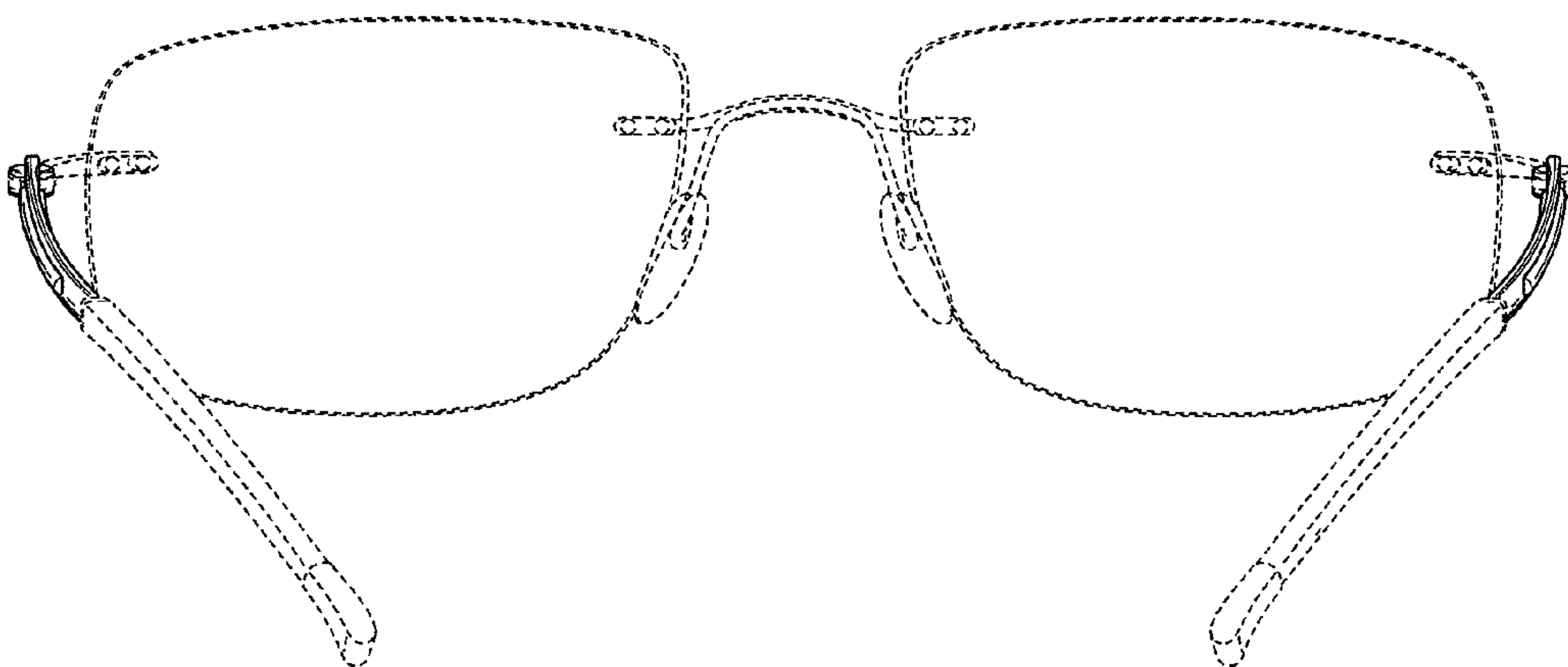


FIG. 3



FIG. 4

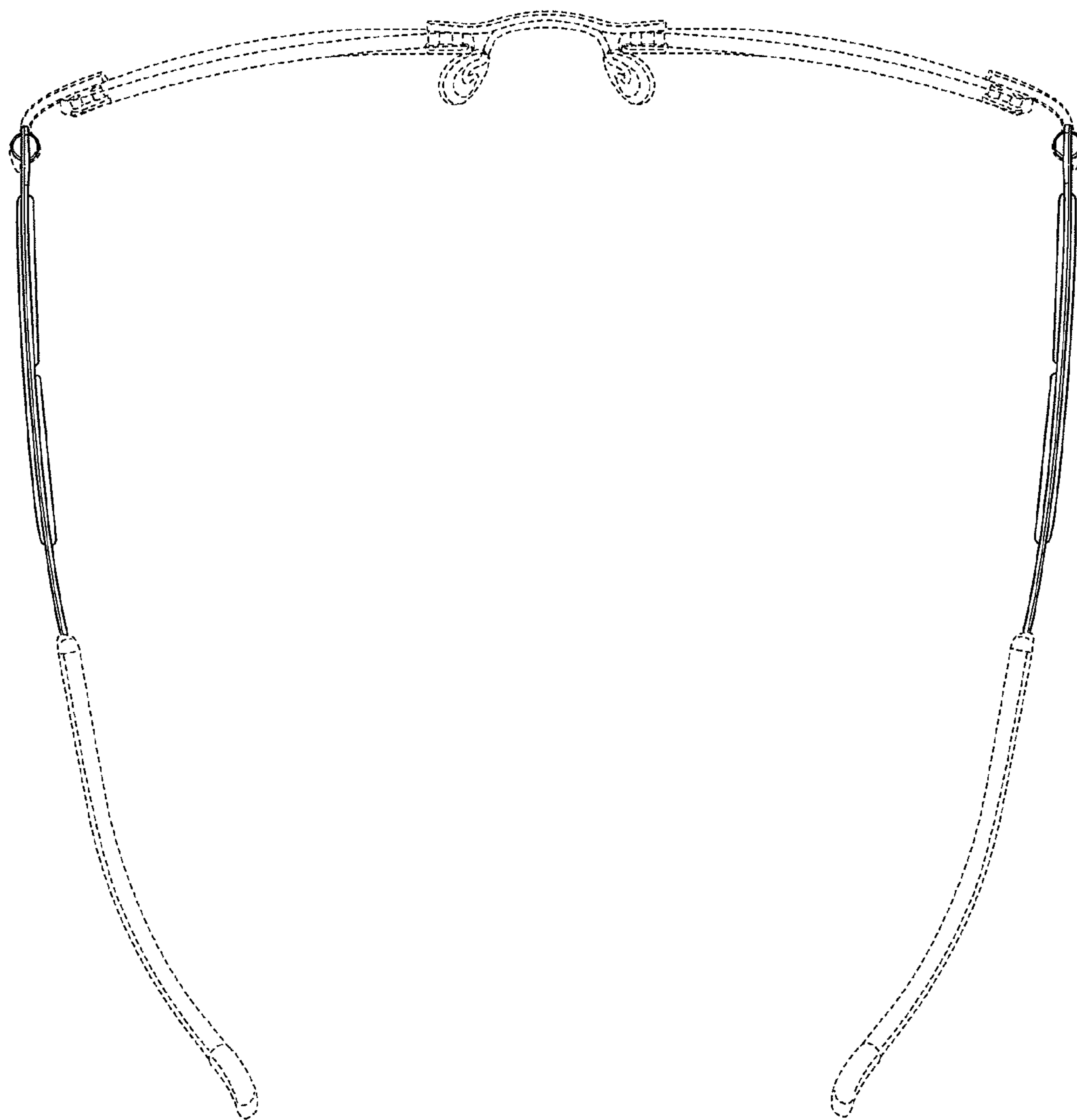


FIG. 5

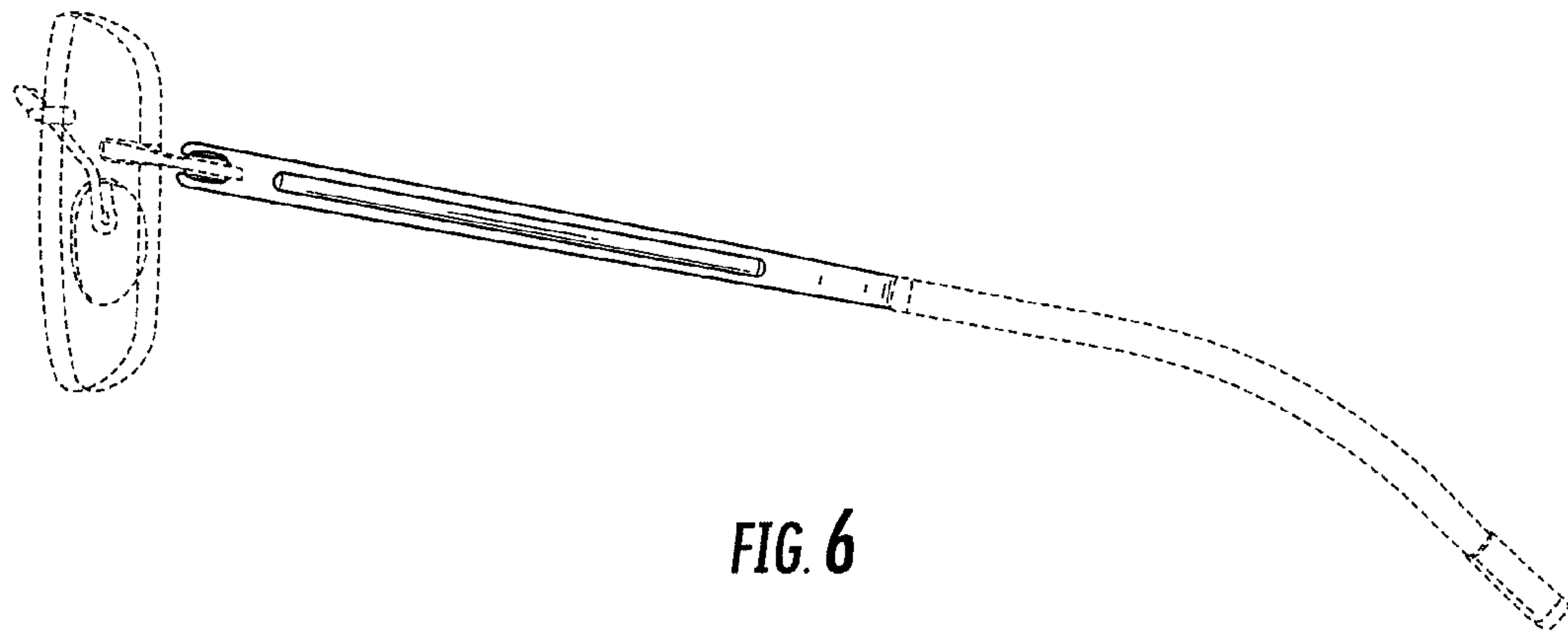


FIG. 6

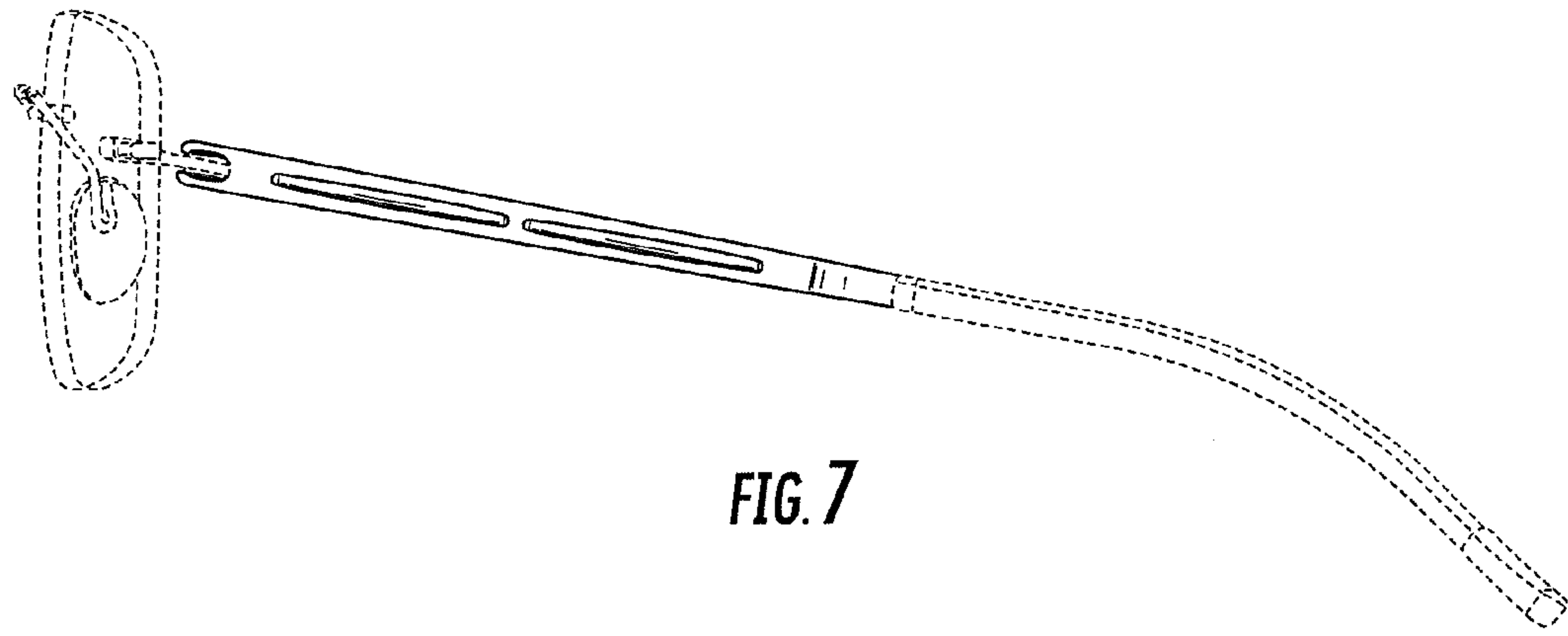


FIG. 7