



US00D743475S

(12) **United States Design Patent**
Cover

(10) **Patent No.:** **US D743,475 S**

(45) **Date of Patent:** **** Nov. 17, 2015**

(54) **PORTABLE CAMERA**

(71) Applicant: **Lund Motion Products, Inc.**, Buford, GA (US)

(72) Inventor: **Scott Cover**, Fullerton, CA (US)

(73) Assignee: **Lund Motion Products, Inc.**, Buford, GA (US)

(**) Term: **14 Years**

(21) Appl. No.: **29/499,262**

(22) Filed: **Aug. 13, 2014**

(51) **LOC (10) Cl.** **16-05**

(52) **U.S. Cl.**
USPC **D16/242; D16/203**

(58) **Field of Classification Search**
USPC D16/200, 202, 203, 208, 218, 219, 242;
348/373-376; 396/419, 427, 428,
396/535-541
CPC G03B 17/02; H04N 5/2257
See application file for complete search history.

(56) **References Cited**

U.S. PATENT DOCUMENTS

D387,789 S *	12/1997	Sumida et al.	D16/202
D396,869 S *	8/1998	Yamakawa et al.	D16/202
7,104,656 B2 *	9/2006	Dwyer et al.	348/E5.143
D585,925 S *	2/2009	Kuo	D16/202
7,736,071 B2 *	6/2010	Wahl et al.	396/419
D624,108 S *	9/2010	Wang et al.	D16/219
D626,983 S *	11/2010	Serge et al.	D16/202

8,467,675 B2 *	6/2013	Chen et al.	396/535
D719,202 S *	12/2014	Lee	D16/202
D730,421 S *	5/2015	Huang et al.	D16/203
D730,966 S *	6/2015	Liu	D16/202
D731,579 S *	6/2015	Bart et al.	D16/242

* cited by examiner

Primary Examiner — Adir Aronovich

(74) *Attorney, Agent, or Firm* — Knobbe Martens Olson and Bear LLP

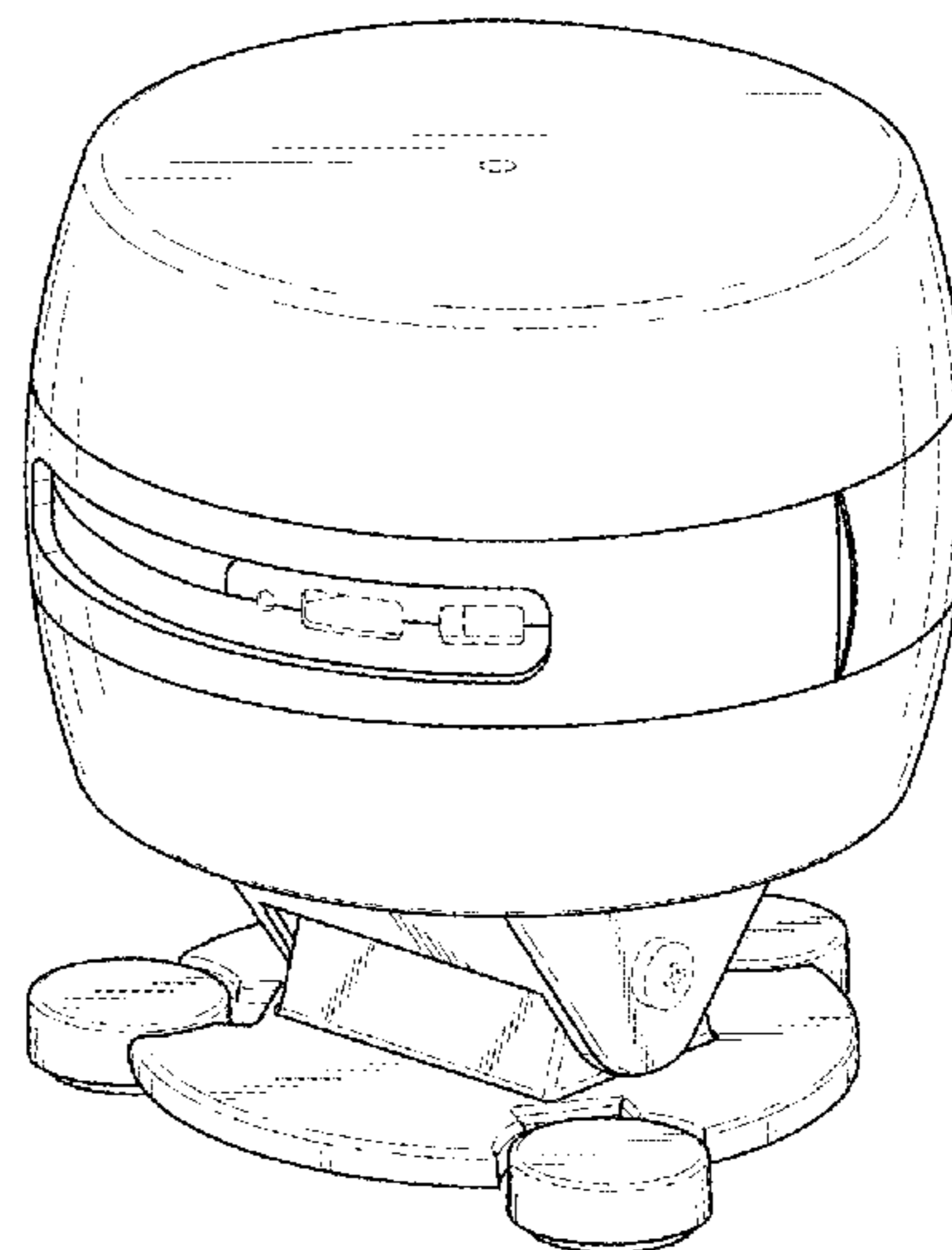
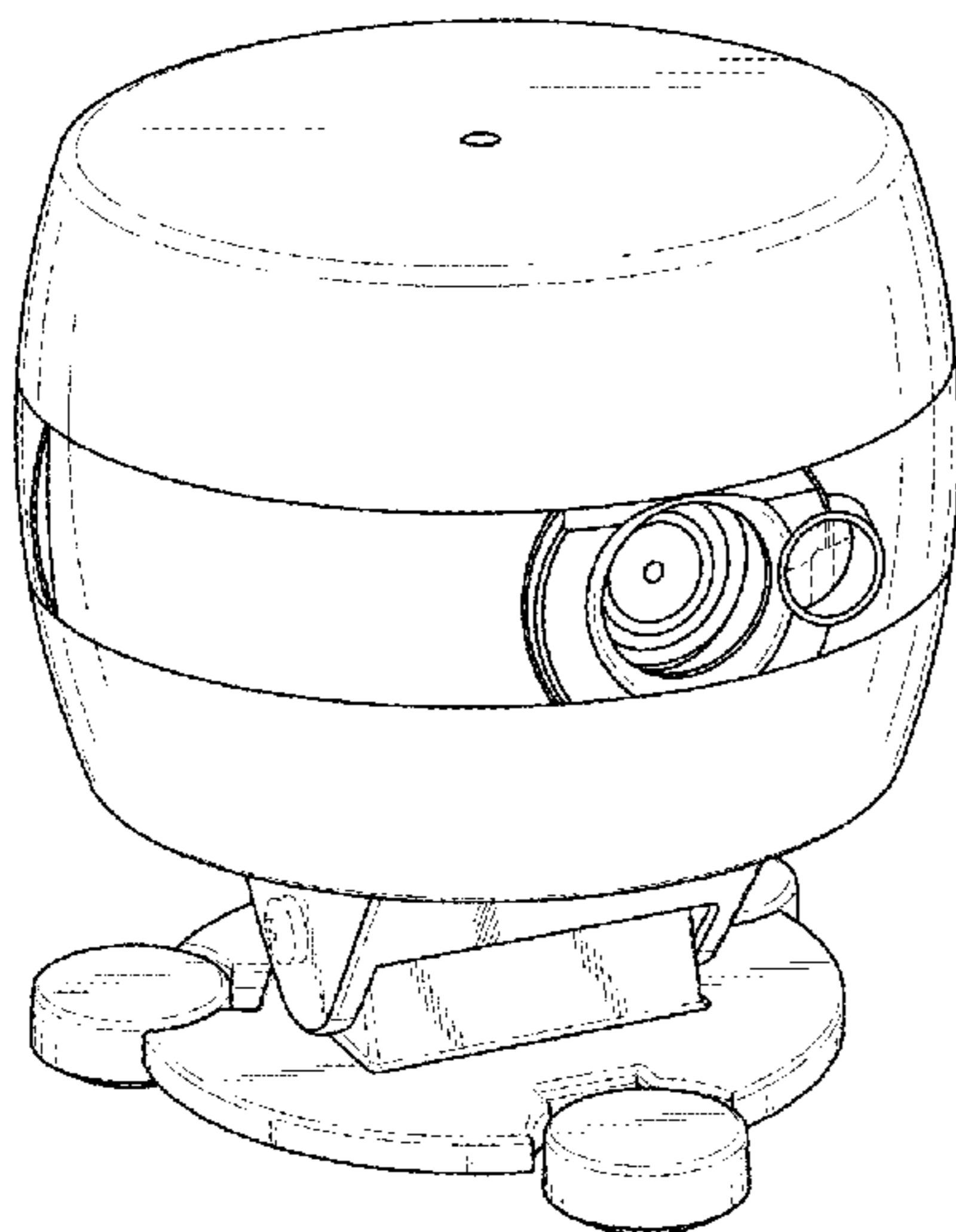
(57) **CLAIM**

The ornamental design for a portable camera, as shown and described.

DESCRIPTION

FIG. 1 is a top and front perspective view of a portable camera showing our new design;
 FIG. 2 is a top and front perspective view of the portable camera of FIG. 1 in a rotated position;
 FIG. 3 is a top and rear perspective view thereof;
 FIG. 4 is a bottom and front perspective view thereof;
 FIG. 5 is a front elevation view thereof;
 FIG. 6 is a rear elevation view thereof;
 FIG. 7 is a left side elevation view thereof;
 FIG. 8 is a right side elevation view thereof;
 FIG. 9 is a top plan view thereof;
 FIG. 10 is a bottom plan view thereof; and,
 FIG. 11 is a top and front perspective view of the portable camera of FIG. 1 in a pivoted position.
 The portions of the portable camera in broken lines are shown for illustrative purposes only and form no part of the claimed design.

1 Claim, 6 Drawing Sheets



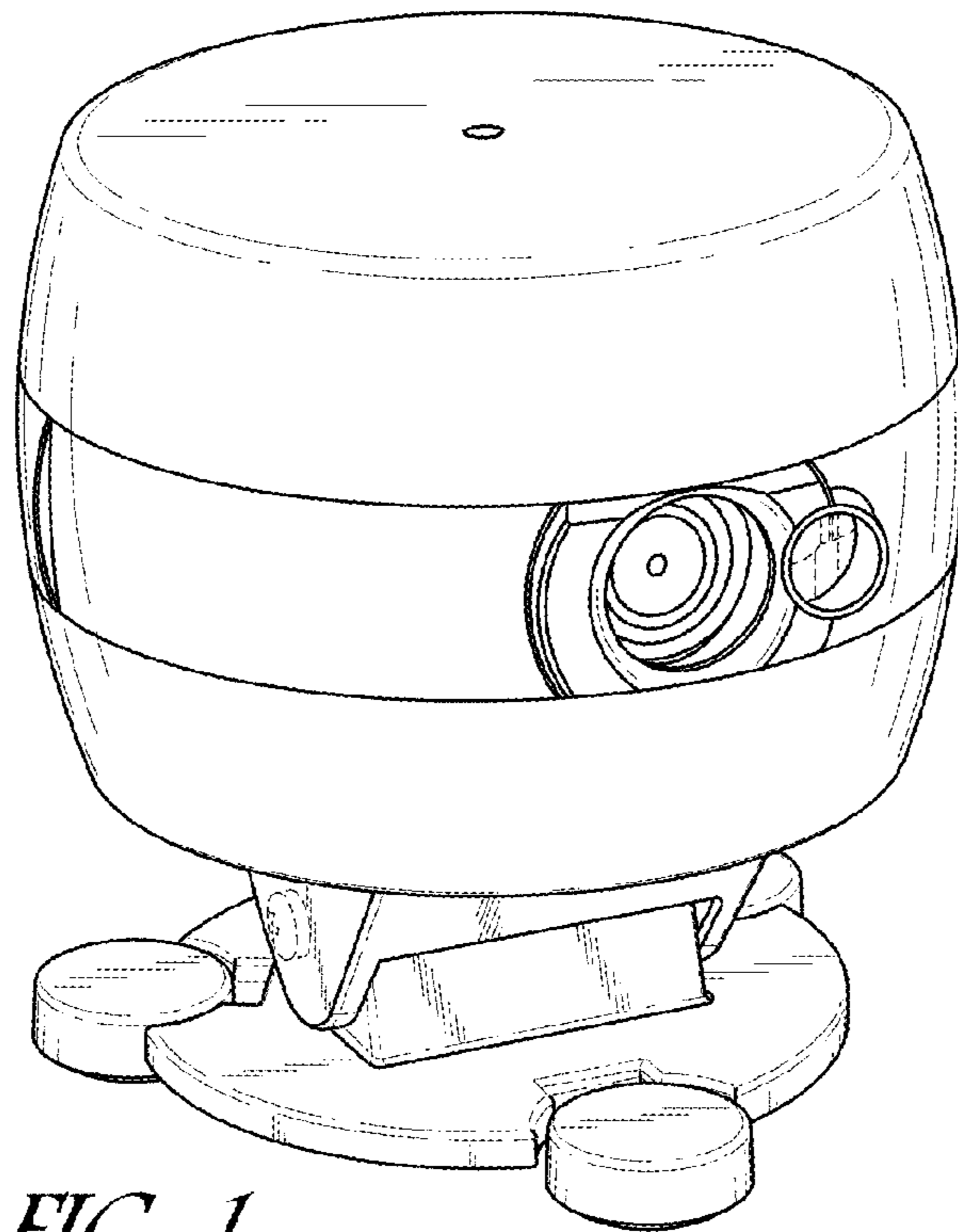


FIG. 1

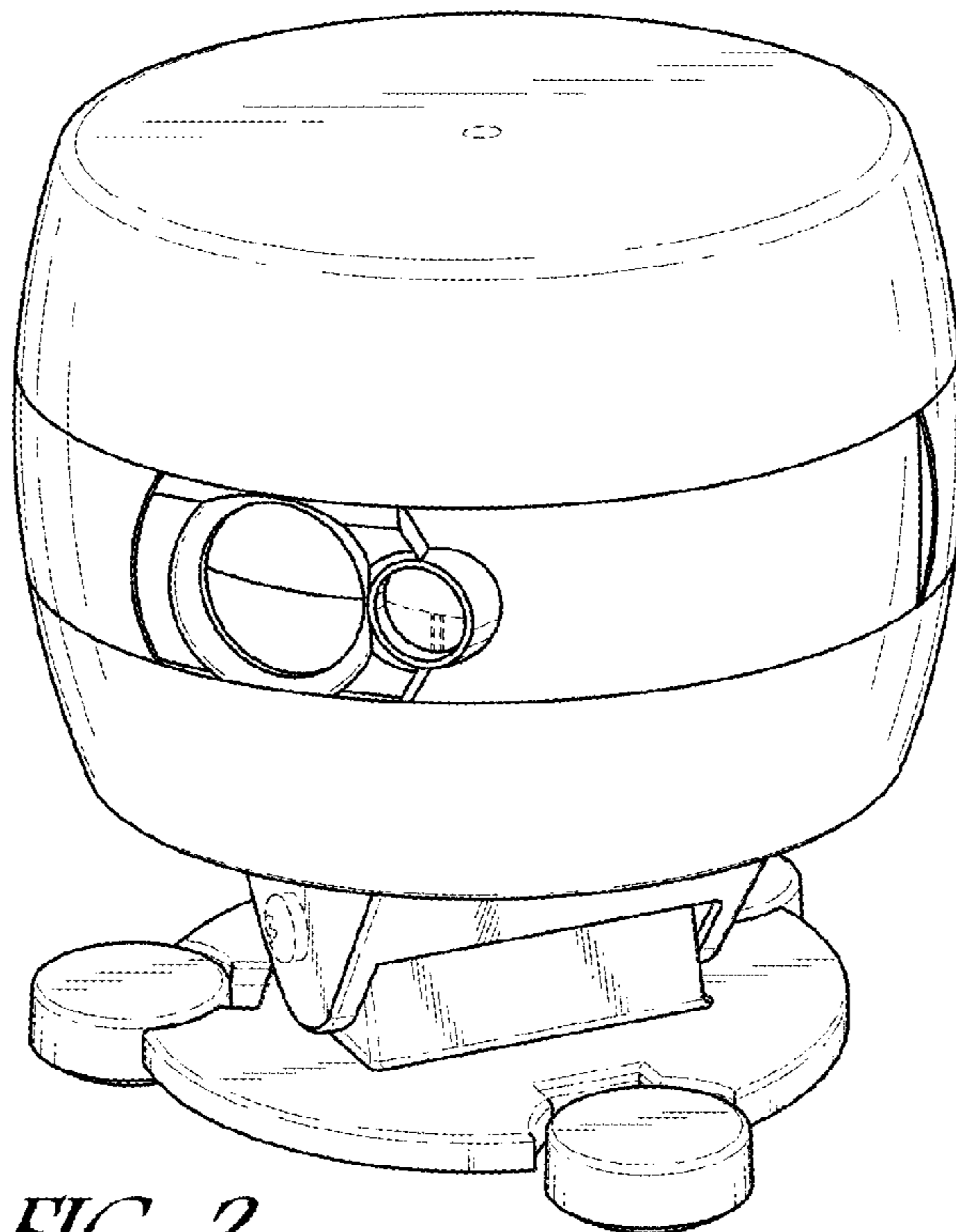


FIG. 2

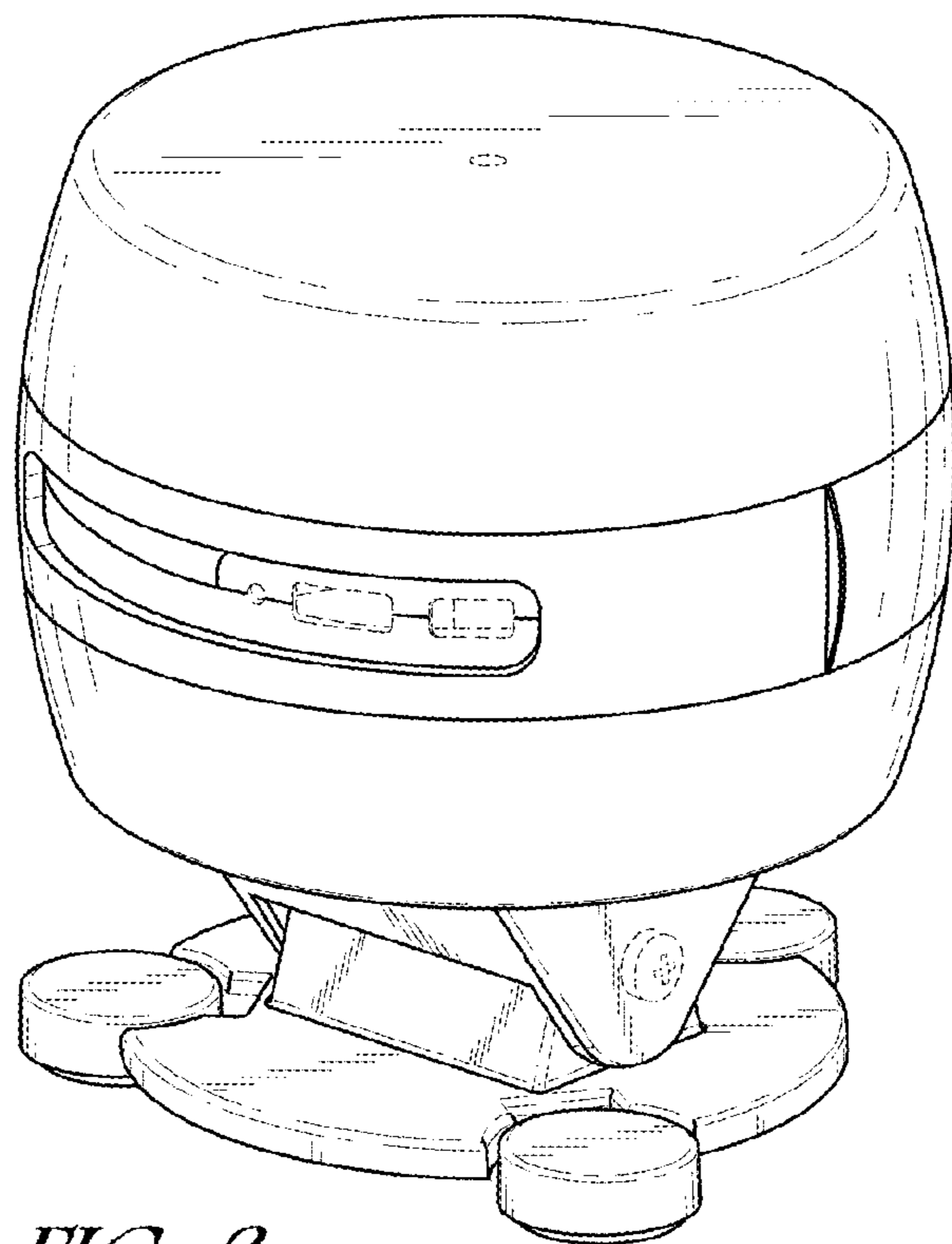


FIG. 3

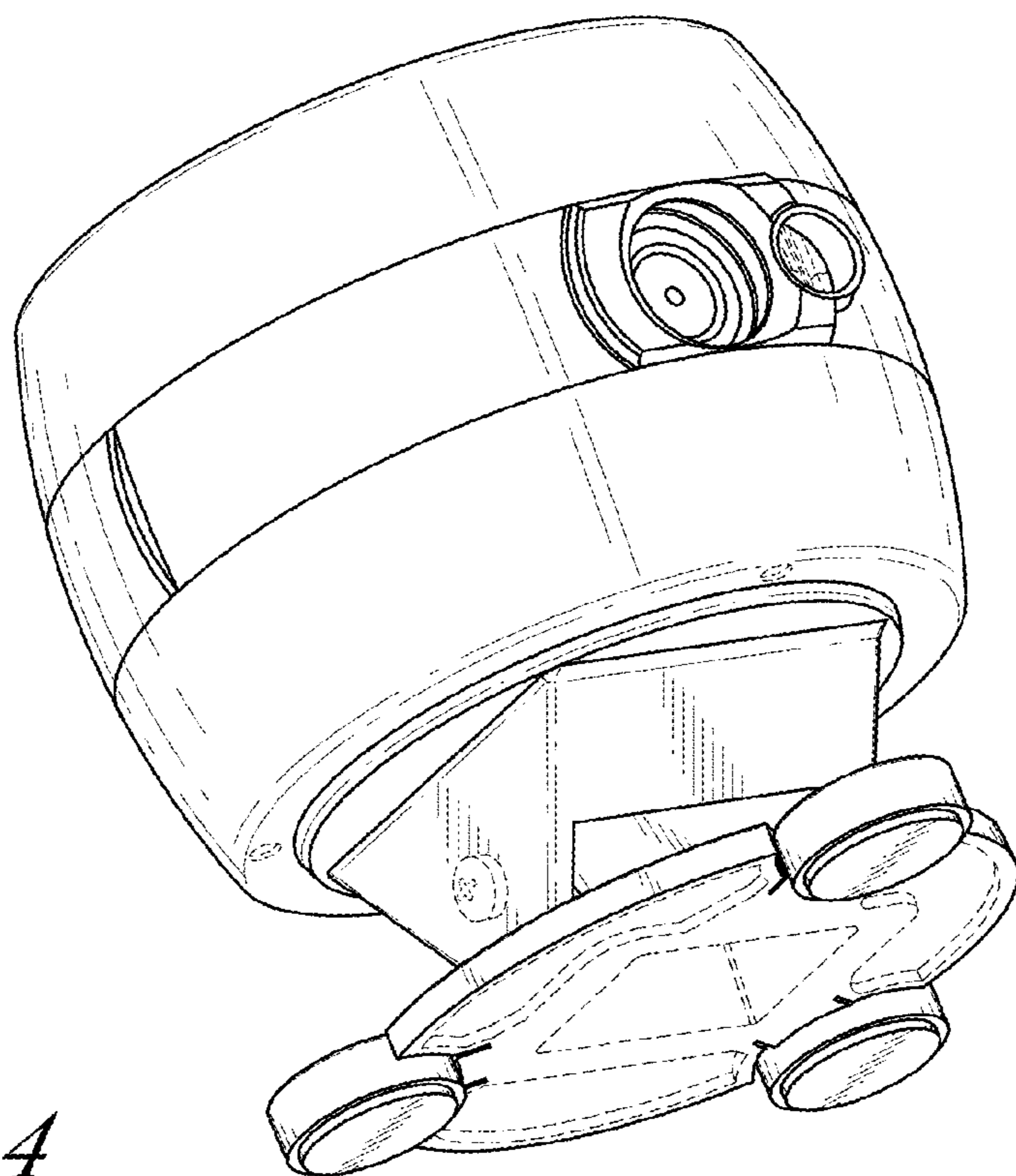


FIG. 4

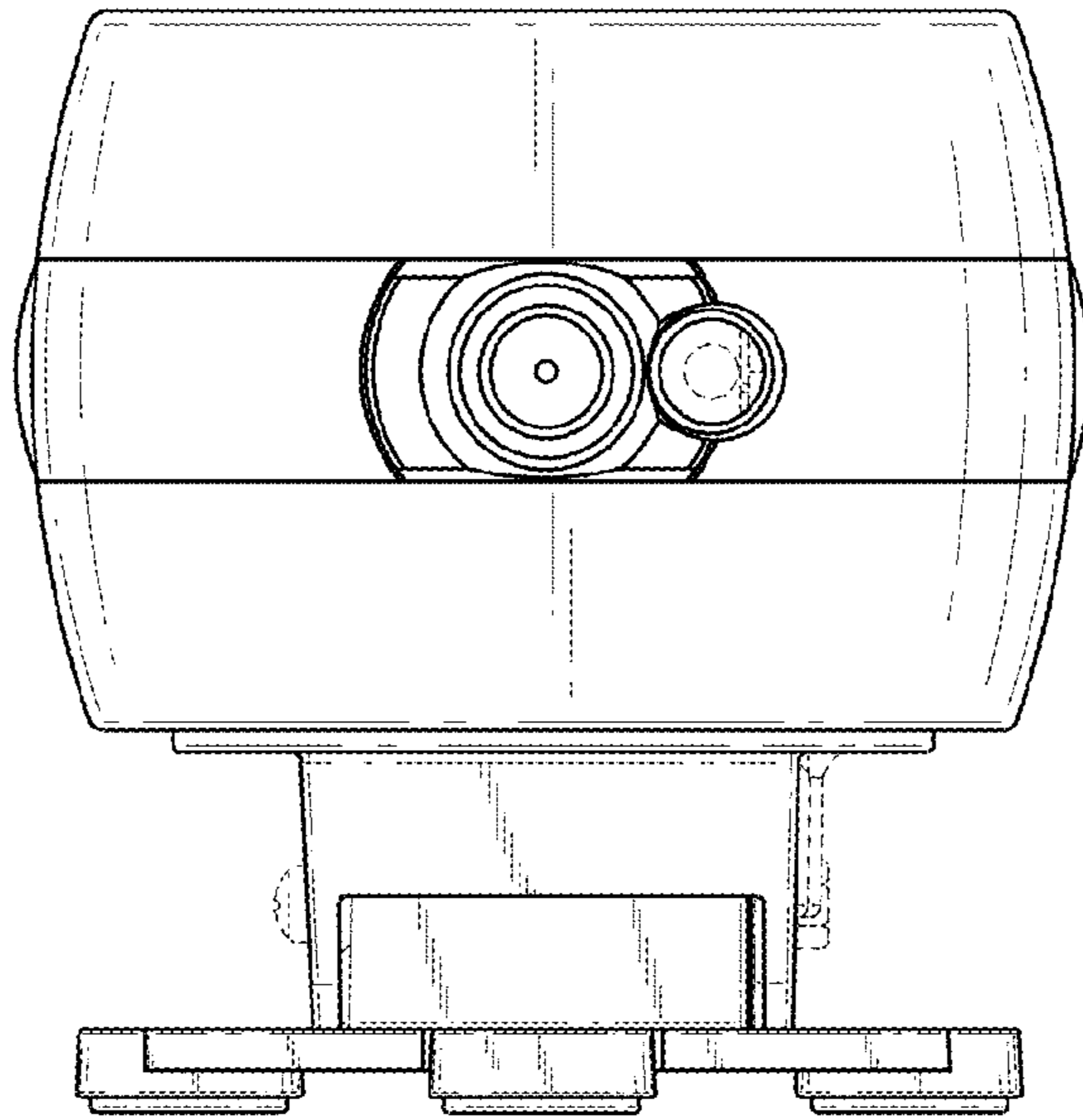


FIG. 5

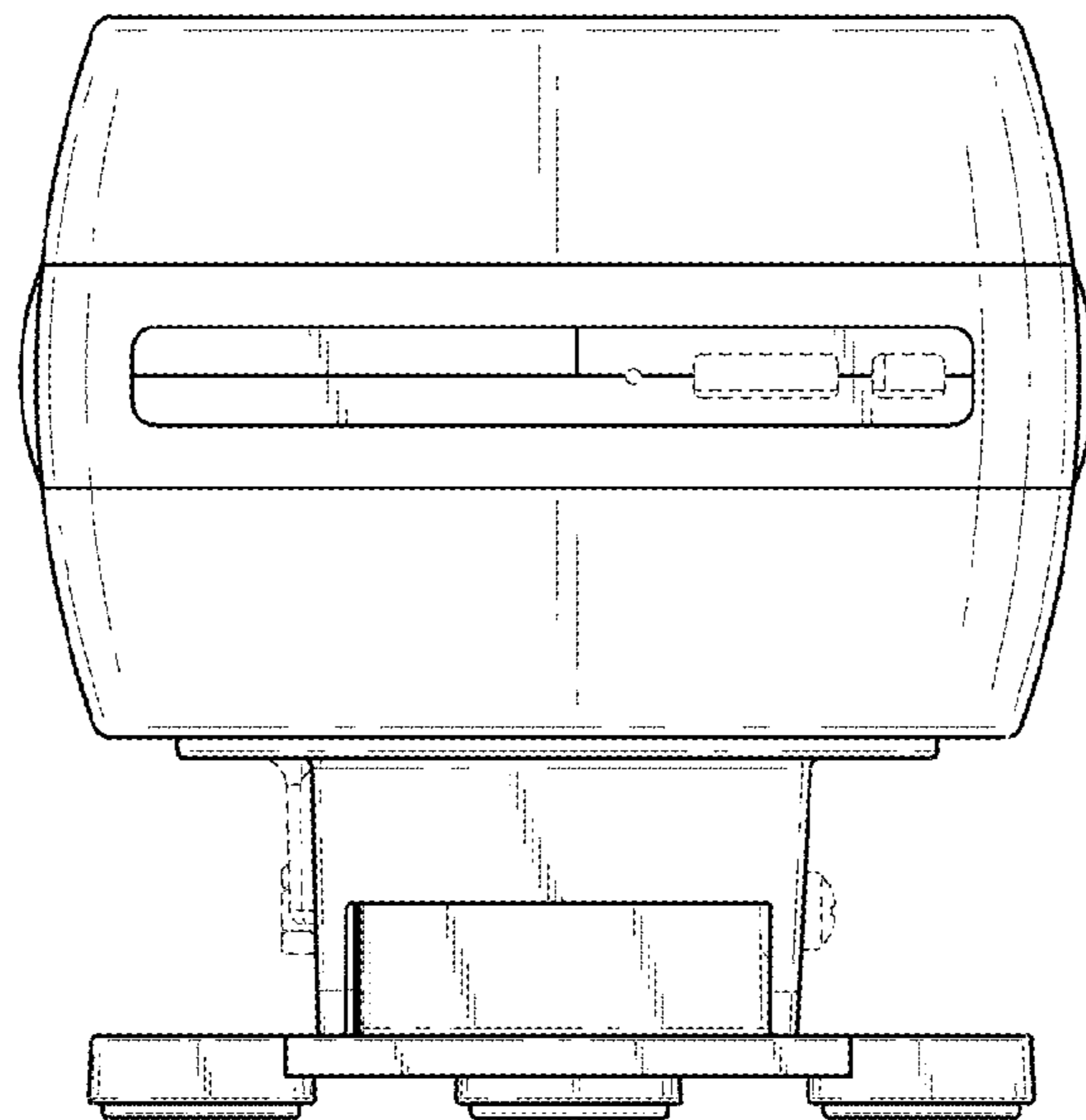


FIG. 6

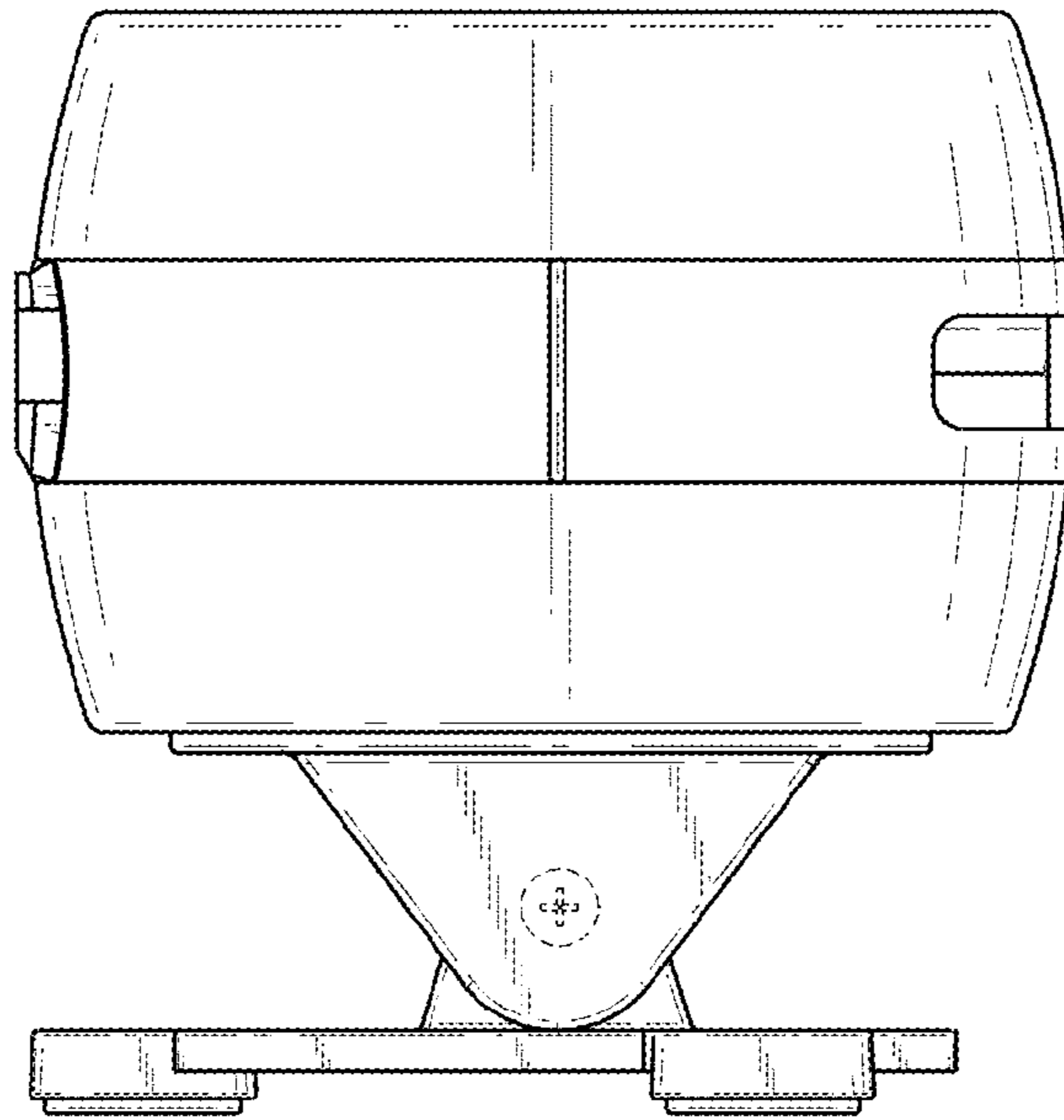


FIG. 7

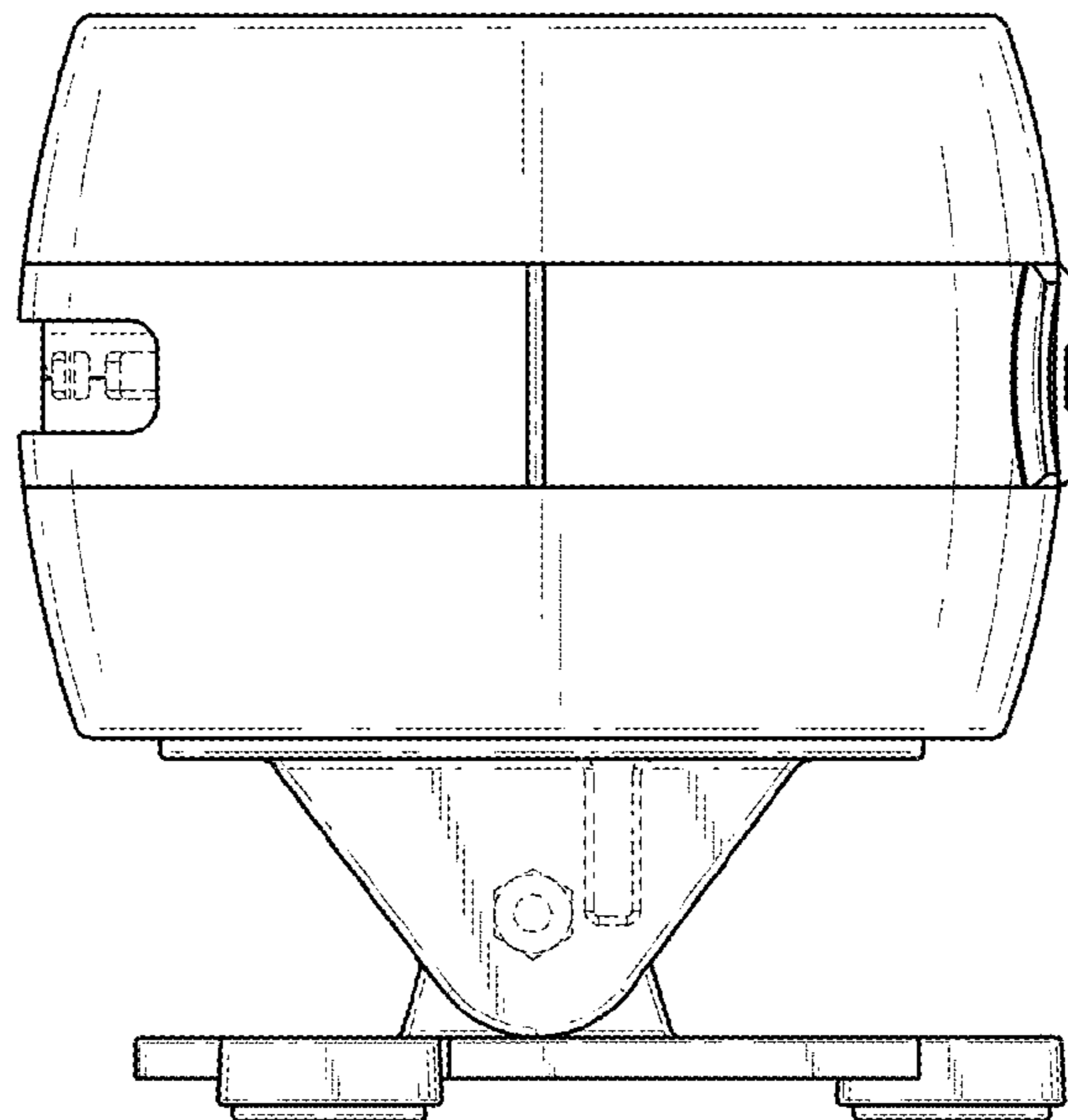


FIG. 8

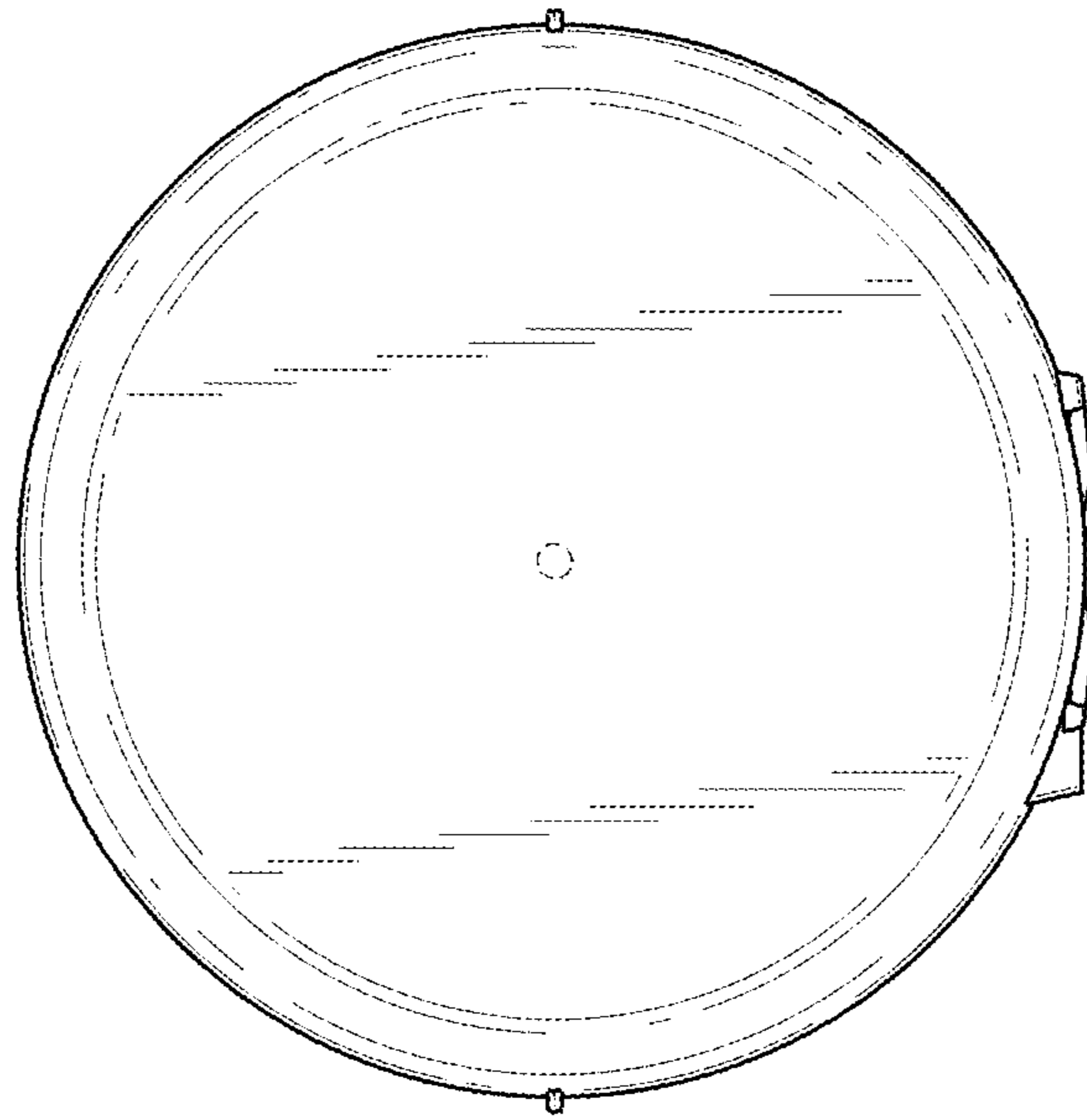


FIG. 9

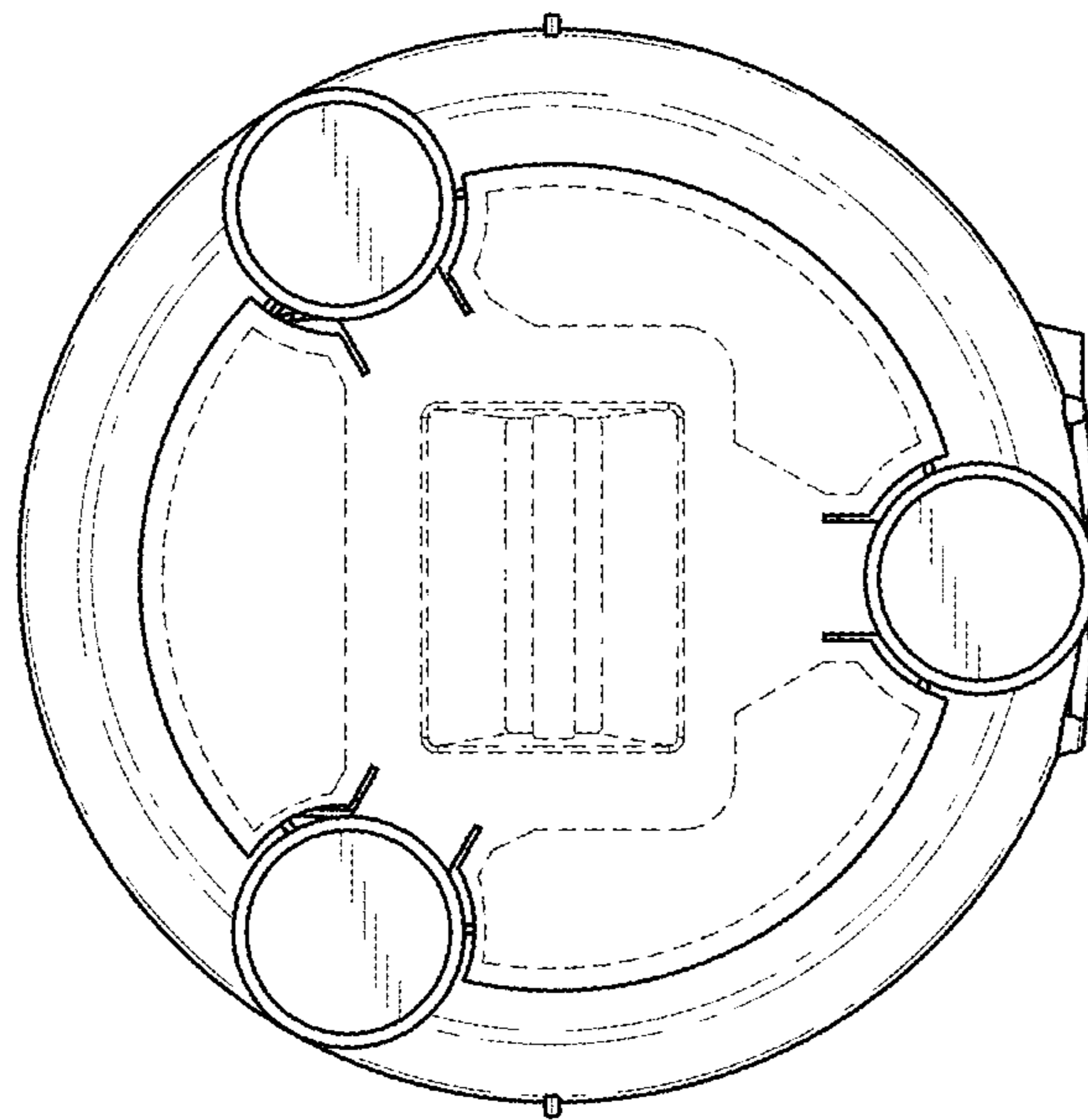


FIG. 10

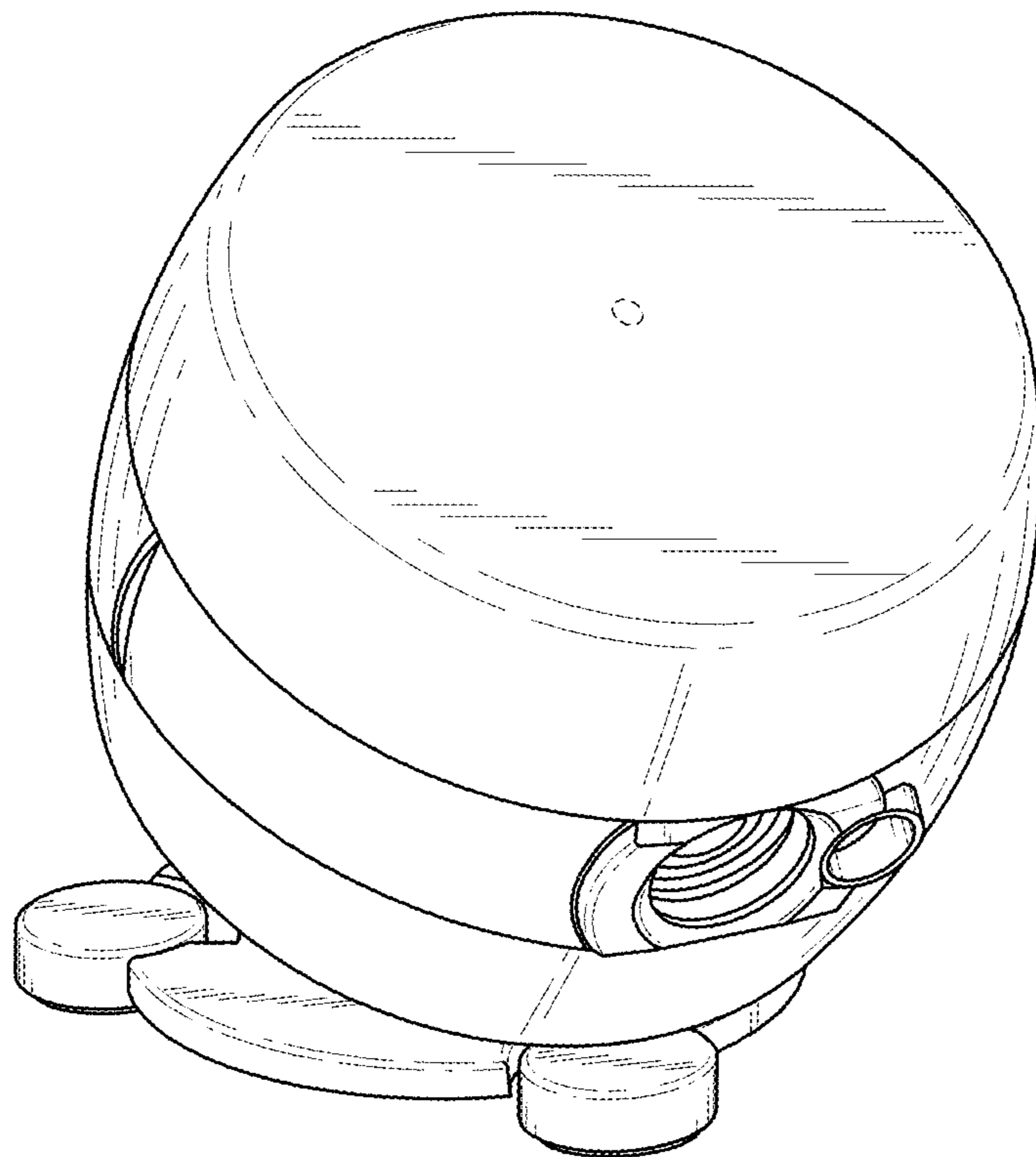


FIG. 11