



US00D743474S

(12) **United States Design Patent**  
**Wada**

(10) **Patent No.:** **US D743,474 S**

(45) **Date of Patent:** **\*\* Nov. 17, 2015**

(54) **SURVEILLANCE CAMERA MOUNT**

(71) Applicant: **Panasonic Corporation**, Osaka (JP)

(72) Inventor: **Jyouji Wada**, Kanagawa (JP)

(73) Assignee: **Panasonic Intellectual Property Management Co., Ltd.**, Osaka (JP)

(\*\*) Term: **14 Years**

(21) Appl. No.: **29/496,127**

(22) Filed: **Jul. 9, 2014**

(30) **Foreign Application Priority Data**

Jan. 15, 2014 (JP) ..... 2014-000567

(51) **LOC (10) Cl.** ..... **16-01**

(52) **U.S. Cl.**  
USPC ..... **D16/242**

(58) **Field of Classification Search**  
USPC ..... D16/200–206, 208–211, 217–219;  
340/436, 937; 348/143, 151, 373–376;  
396/427, 433, 535–541; D26/24, 25,  
D26/26, 28, 60, 61, 62, 67, 69, 72, 74, 80,  
D26/81, 83, 84, 88, 90, 138, 142, 154

See application file for complete search history.

(56) **References Cited**

U.S. PATENT DOCUMENTS

D391,977 S *	3/1998	Kiesel .....	D16/218
D424,721 S *	5/2000	Garrity et al. ....	D26/26
D561,808 S	2/2008	Arnold et al.	
D662,644 S *	6/2012	Wauters .....	D26/83
D678,564 S *	3/2013	Janssen .....	D26/28

\* cited by examiner

*Primary Examiner* — Susan Bennett Hattan

*Assistant Examiner* — Leanne Was

(74) *Attorney, Agent, or Firm* — Panasonic Patent Center

(57) **CLAIM**

I claim the ornamental design for a surveillance camera mount, as shown and described.

**DESCRIPTION**

FIG. 1 is a front perspective view of a surveillance camera mount of the present invention;

FIG. 2 is a rear perspective view thereof;

FIG. 3 is a front view thereof;

FIG. 4 is a rear view thereof;

FIG. 5 is a left side view thereof;

FIG. 6 is a top view thereof;

FIG. 7 is a bottom view thereof; and,

FIG. 8 is a right side view thereof.

The broken lines depict portions of the surveillance camera mount that form no part of the claimed design.

**1 Claim, 8 Drawing Sheets**

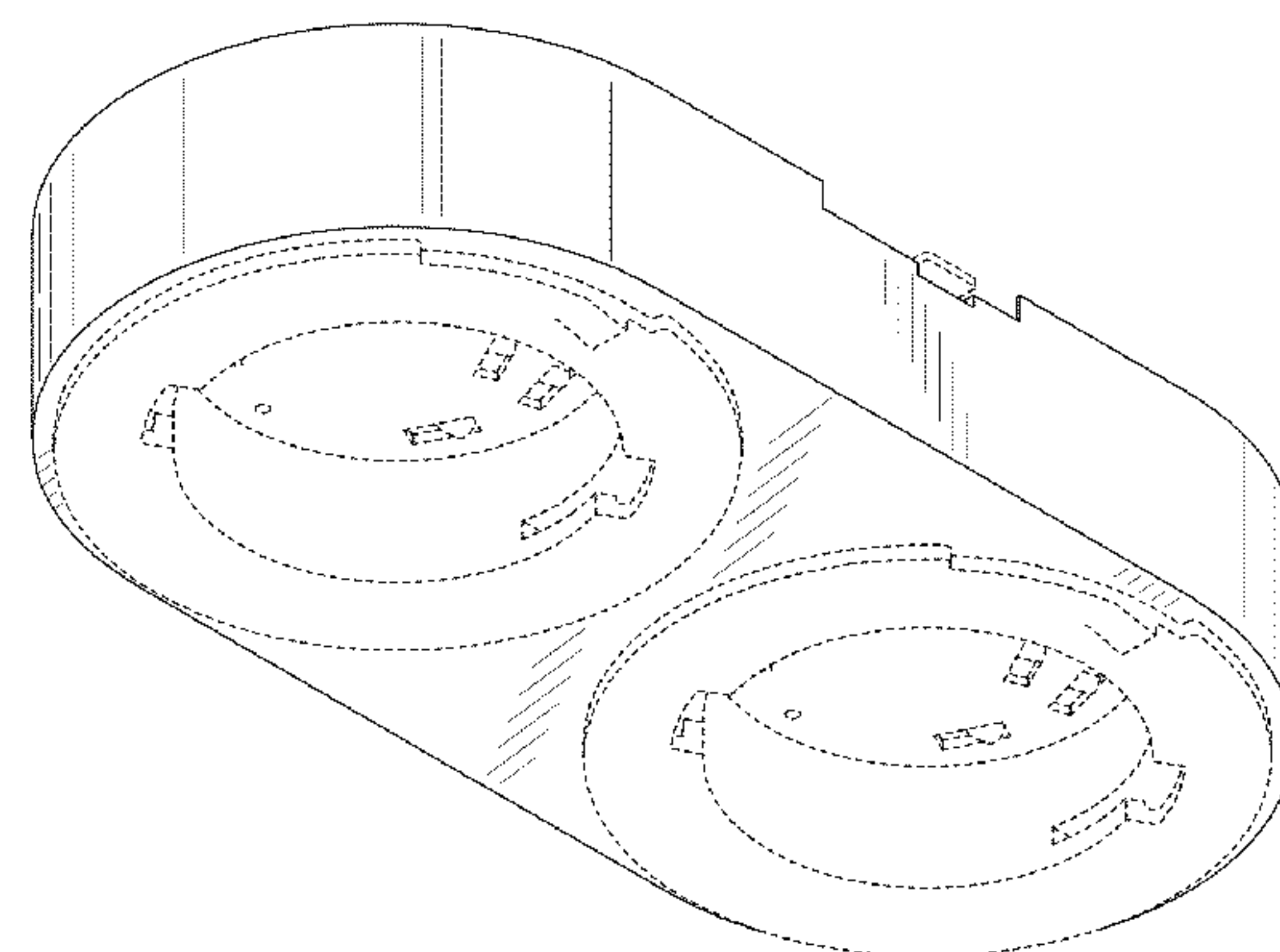
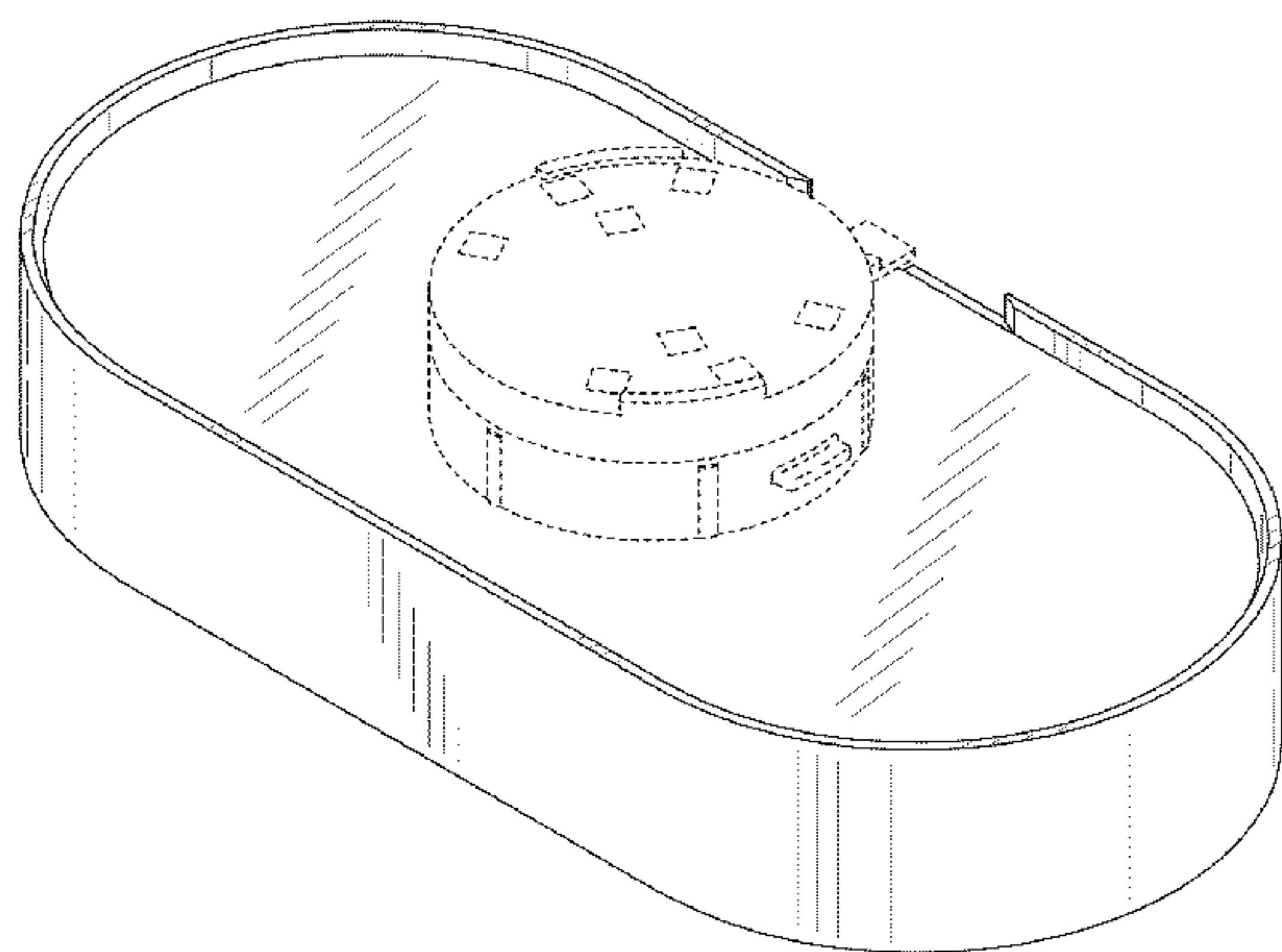


FIG. 1

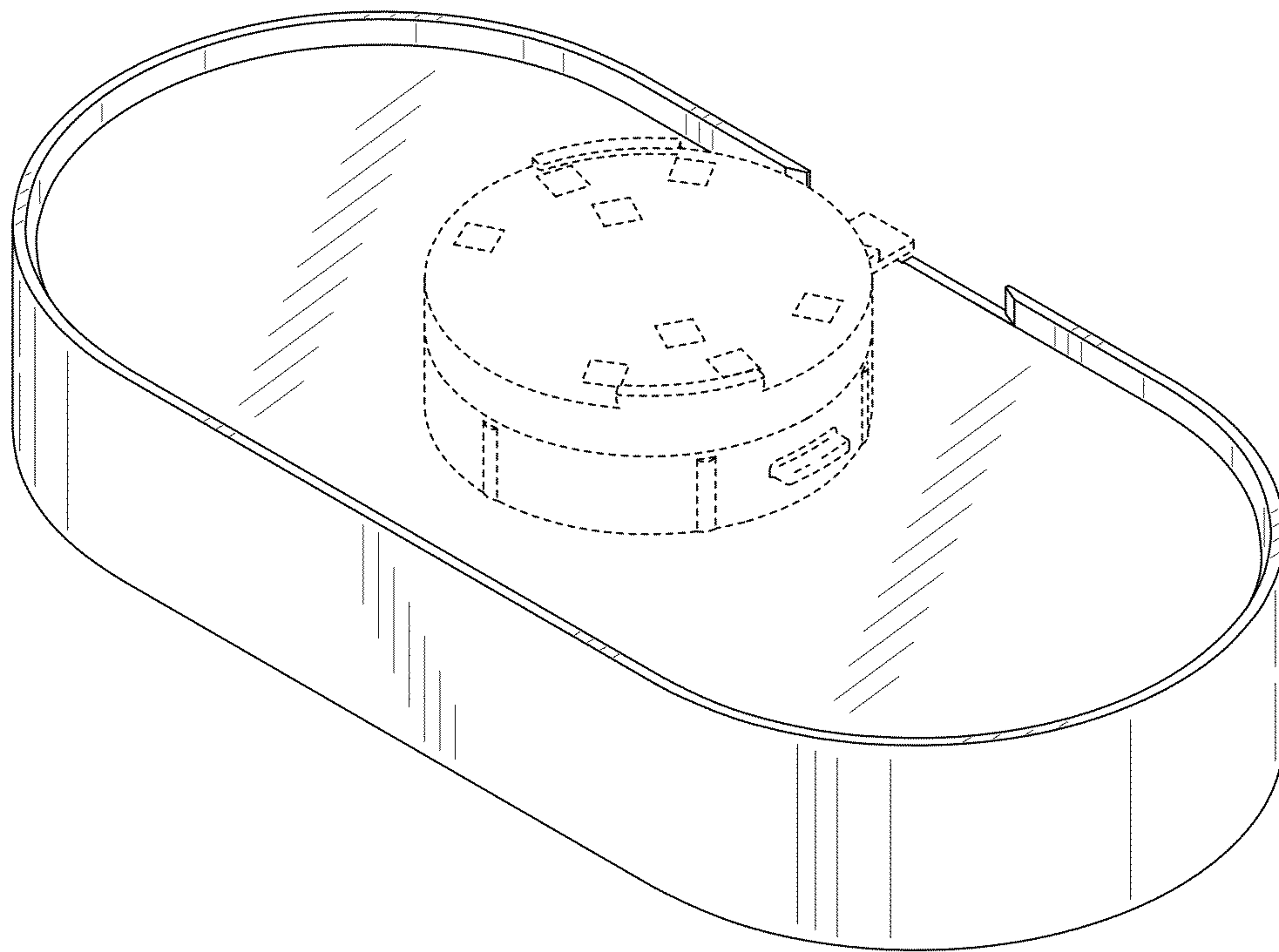


FIG. 2

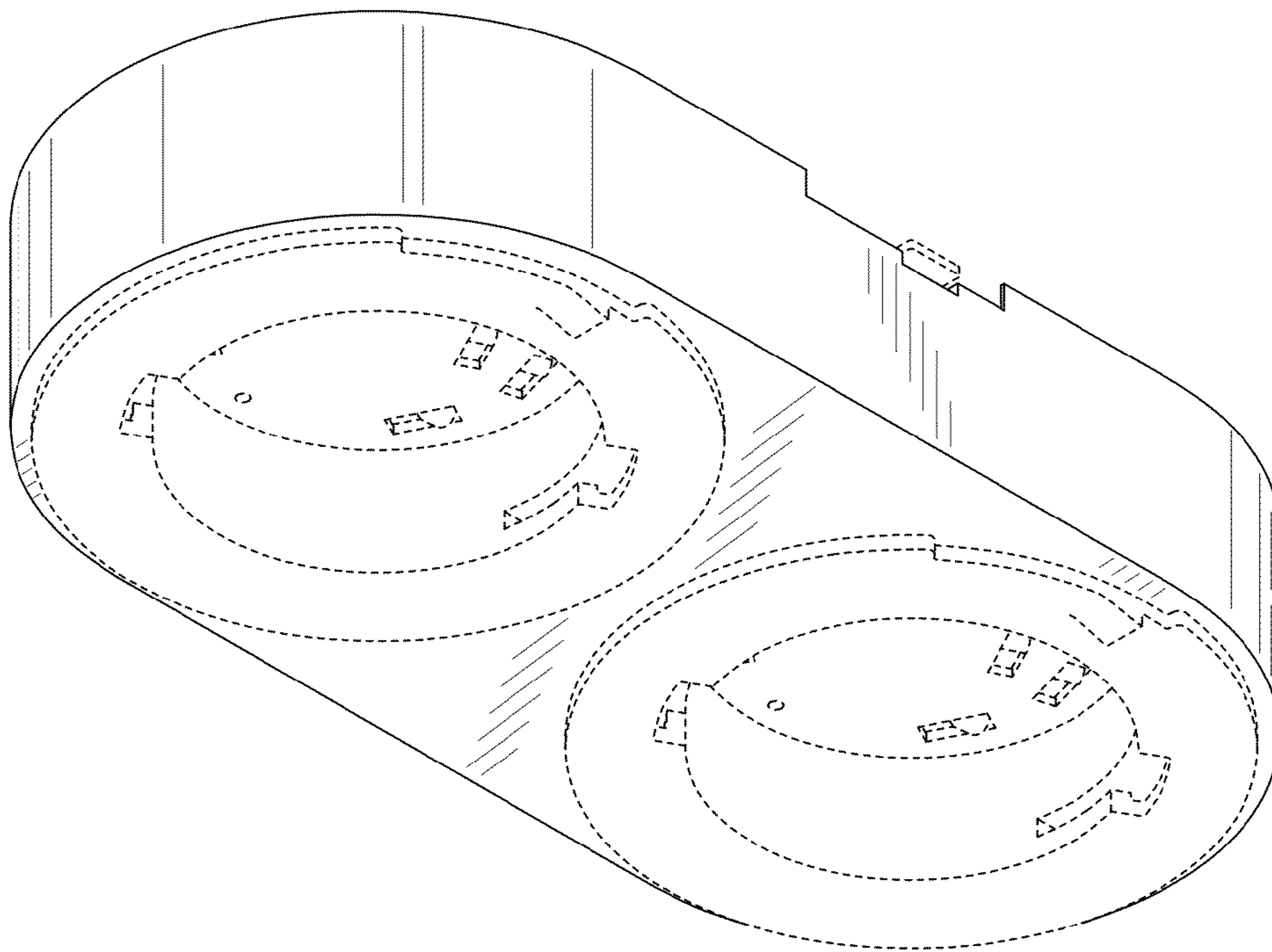


FIG. 3

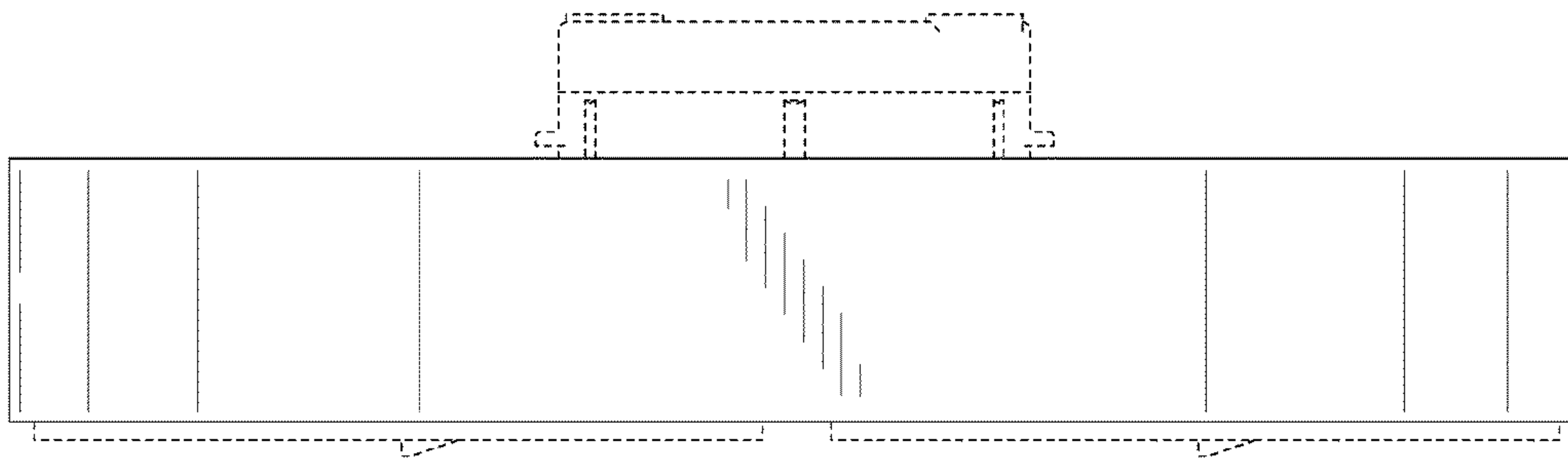


FIG. 4

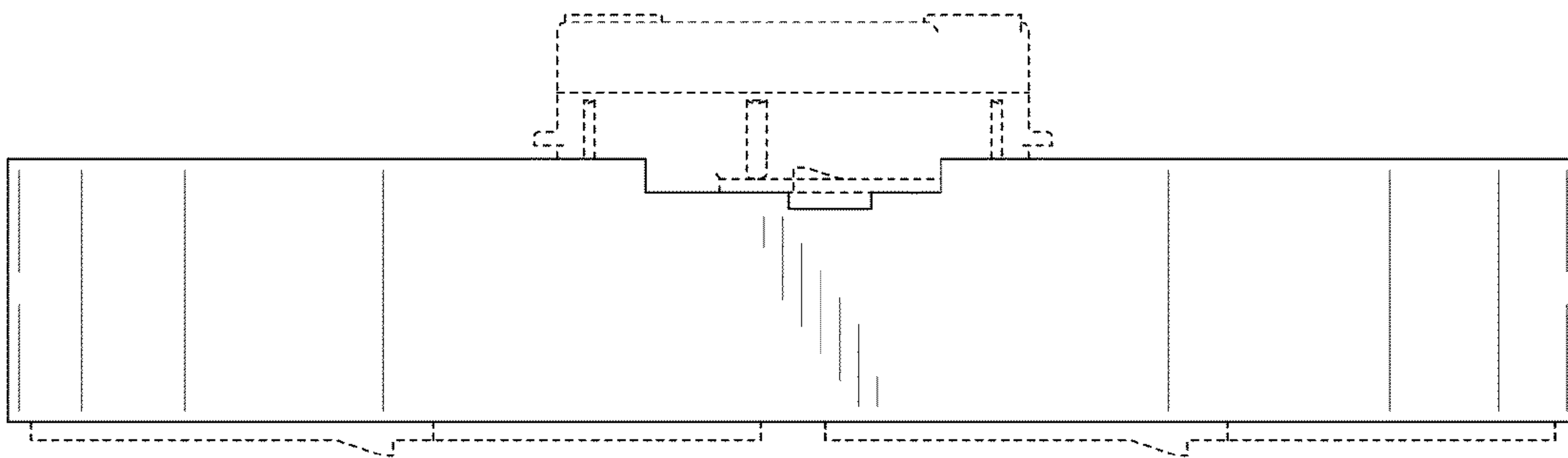


FIG. 5

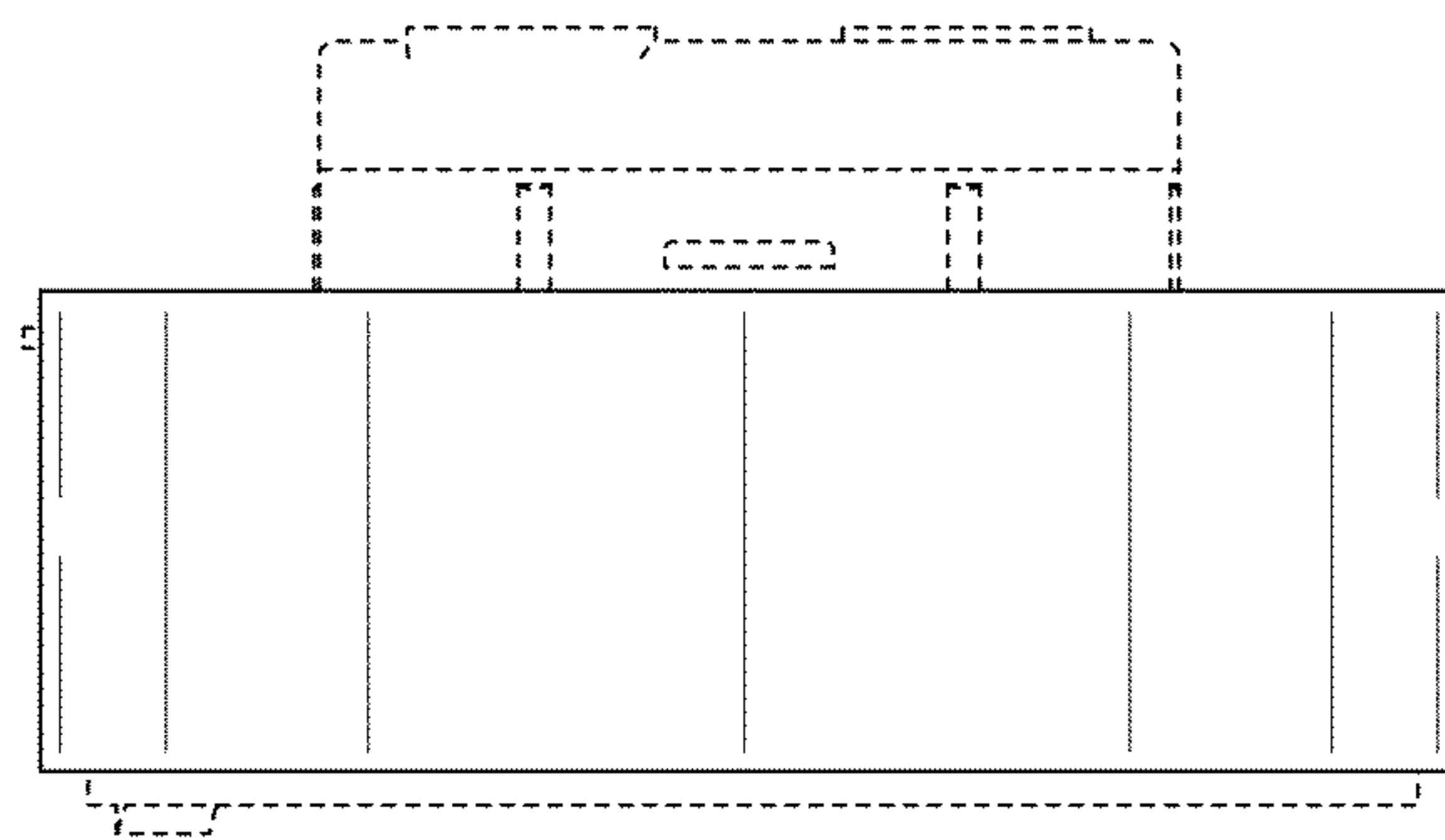


FIG. 6

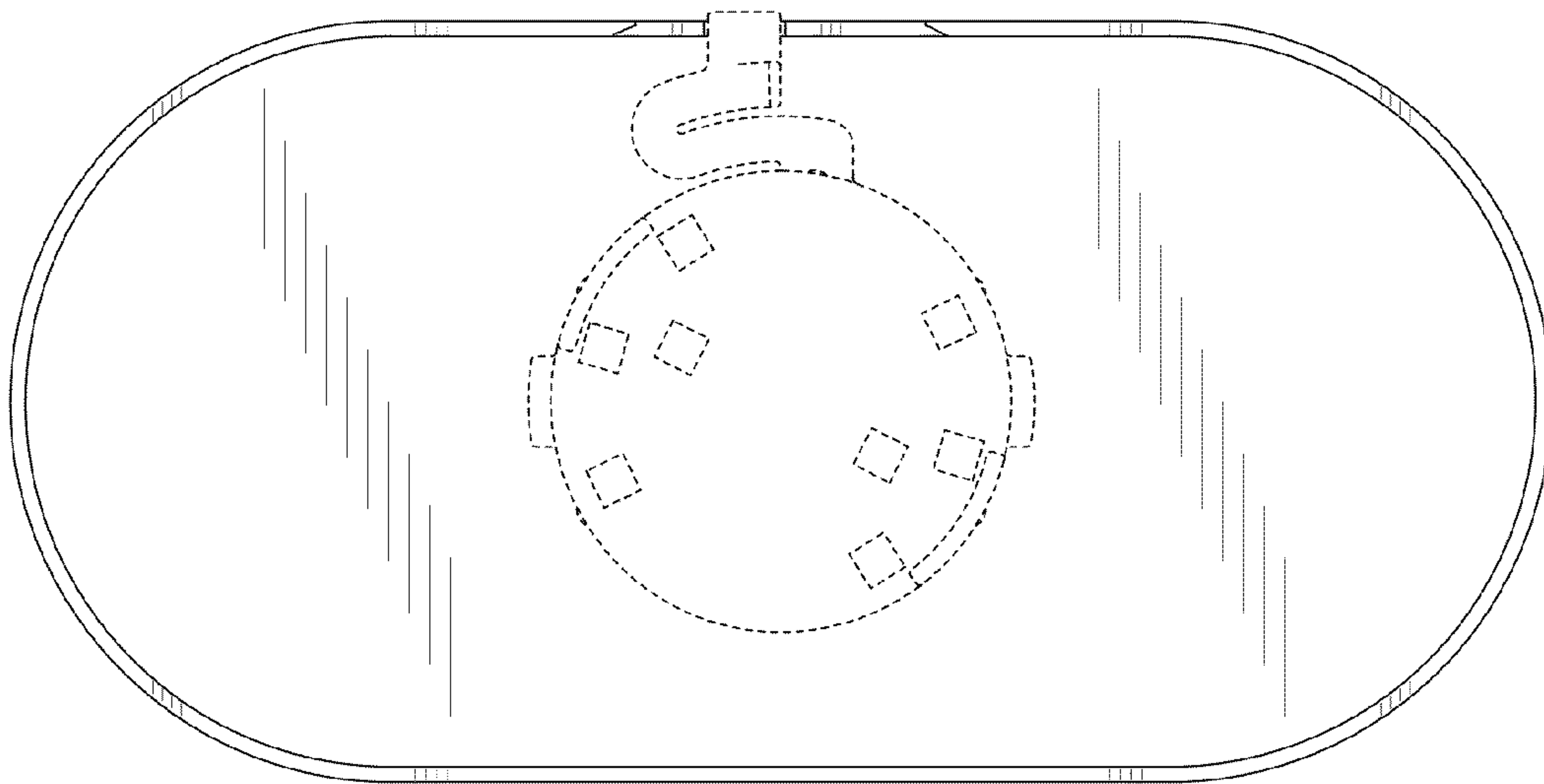


FIG. 7

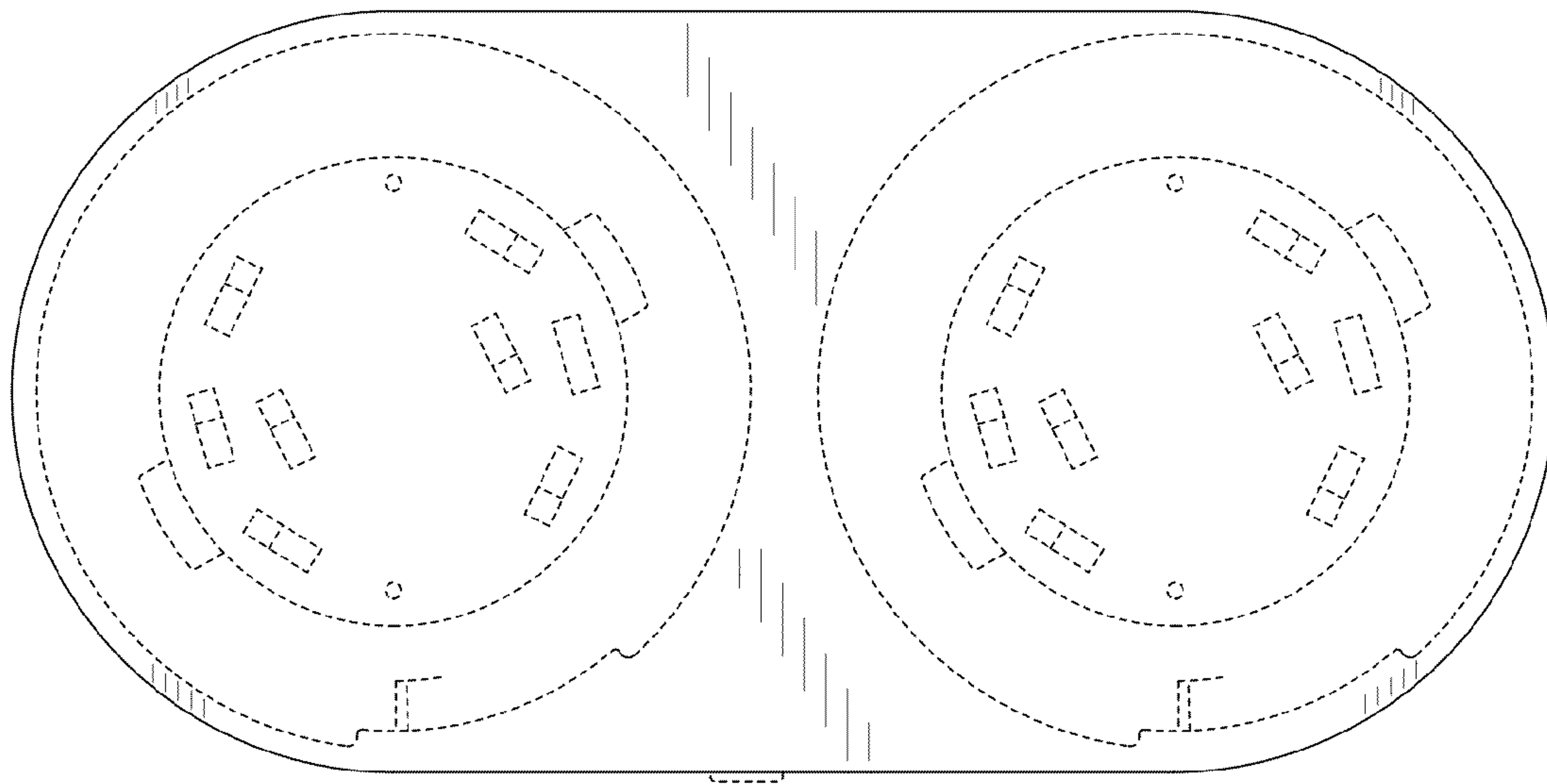




FIG. 8

