



US00D743473S

(12) **United States Design Patent**  
**Baba et al.**

(10) **Patent No.:** **US D743,473 S**

(45) **Date of Patent:** **\*\* Nov. 17, 2015**

(54) **CAMERA**

(71) Applicant: **Samsung Electronics Co., Ltd.**,  
Suwon-si, Gyeonggi-do (KR)

(72) Inventors: **Kenji Baba**, Tokyo (JP); **Kenji Yamauchi**, Seoul (KR)

(73) Assignee: **Samsung Electronics Co., Ltd.**,  
Suwon-si (KR)

(\*\*) Term: **14 Years**

(21) Appl. No.: **29/494,023**

(22) Filed: **Jun. 17, 2014**

(30) **Foreign Application Priority Data**

Dec. 23, 2013 (KR) ..... 30-2013-0064786

(51) **LOC (10) Cl.** ..... **16-01**

(52) **U.S. Cl.**

USPC ..... **D16/220**

(58) **Field of Classification Search**

USPC ..... D16/200, 202–206, 208, 209, 211, 212,  
D16/216–220, 239, 242; 348/143, 148, 151,  
348/373–376; 396/89, 165, 176–178, 535,  
396/538–541

CPC ..... G03B 17/02; G03B 19/04; G03B 17/56;  
G03B 17/04; G03B 15/03; G03B 15/05;  
H04N 5/2251; H04N 5/2252; H04N 5/2253;  
H04N 5/2254; H04N 2007/145; H04N 7/141;  
H04N 7/142; H04N 7/147; H04N 7/148;  
H04N 7/15; H04N 7/152

See application file for complete search history.

(56) **References Cited**

U.S. PATENT DOCUMENTS

D412,925 S *	8/1999	Tashiro .....	D16/220
D418,531 S *	1/2000	Hayashi .....	D16/220
D479,728 S *	9/2003	Tanaka .....	D16/219
D528,580 S *	9/2006	Sumita .....	D16/206
D570,392 S *	6/2008	Kim et al. ....	D16/219
D570,891 S *	6/2008	Miyahara et al. ....	D16/202
D579,038 S *	10/2008	Mutz et al. ....	D16/202
D579,039 S *	10/2008	Nakamura .....	D16/202
D594,892 S *	6/2009	Kamiya et al. ....	D16/202
D611,977 S *	3/2010	Kim et al. ....	D16/202
D639,325 S *	6/2011	Yamauchi et al. ....	D16/202
8,326,138 B2 *	12/2012	Yoshii et al. ....	396/89
D701,550 S *	3/2014	Umehara .....	D16/202

\* cited by examiner

*Primary Examiner* — Adir Aronovich

*Assistant Examiner* — Ramzi Almatrahi

(74) *Attorney, Agent, or Firm* — Ladas & Parry LLP

(57) **CLAIM**

The ornamental design for a camera, as shown and described.

**DESCRIPTION**

FIG. 1 is a front perspective view of a camera showing our new design;  
FIG. 2 is a front elevation view thereof;  
FIG. 3 is a rear elevation view thereof;  
FIG. 4 is a left side elevation view thereof;  
FIG. 5 is right side elevation view thereof;  
FIG. 6 is a top plan view thereof;  
FIG. 7 is a bottom plan view thereof;  
FIG. 8 is a front perspective view thereof, showing a viewfinder in a retracted position; and,  
FIG. 9 is a rear perspective view thereof, showing a viewfinder in an extended position.  
The broken lines depict portions of a camera in which the design is embodied and form no part of the claimed design.

**1 Claim, 9 Drawing Sheets**

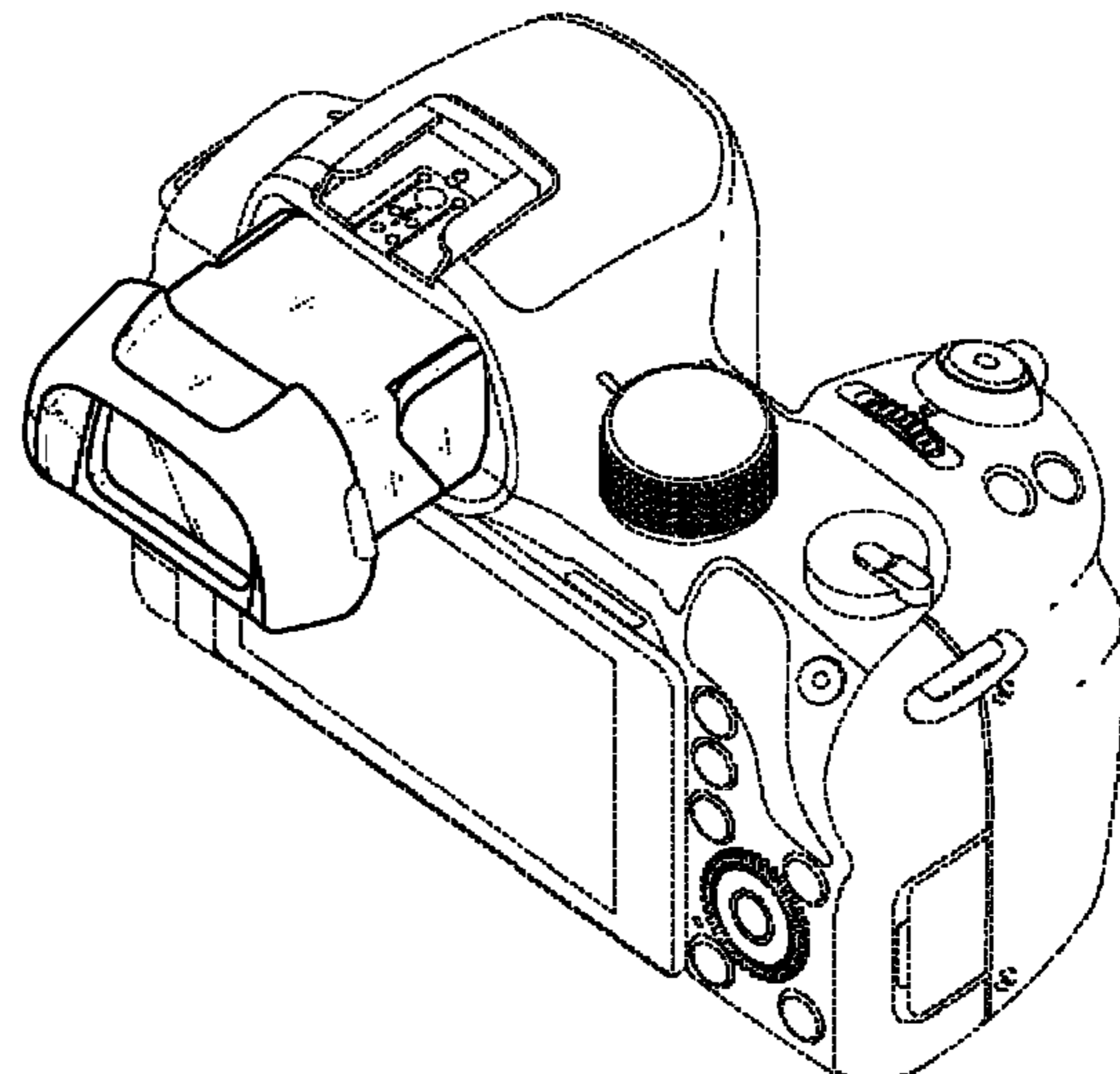
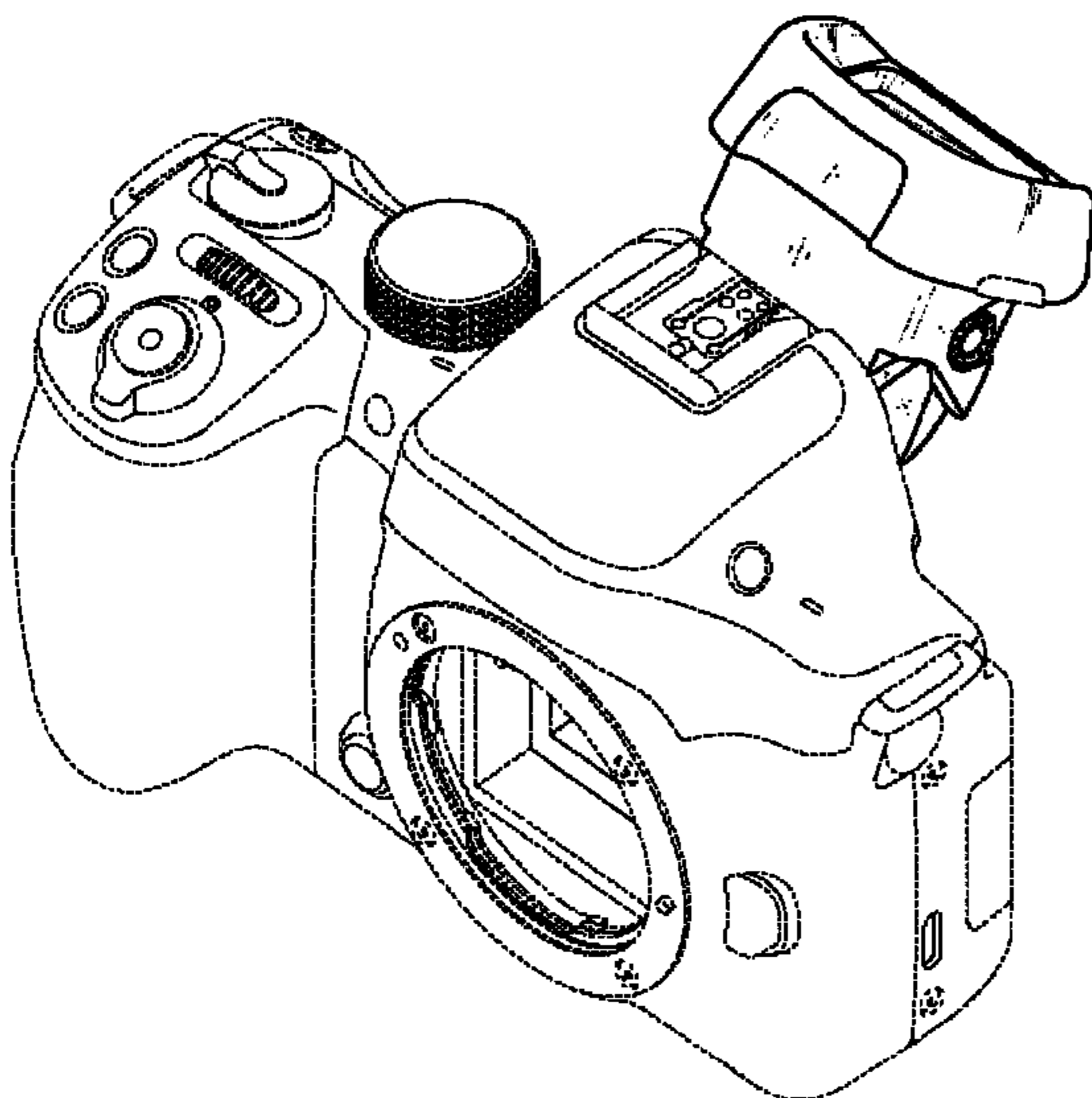


FIG. 1

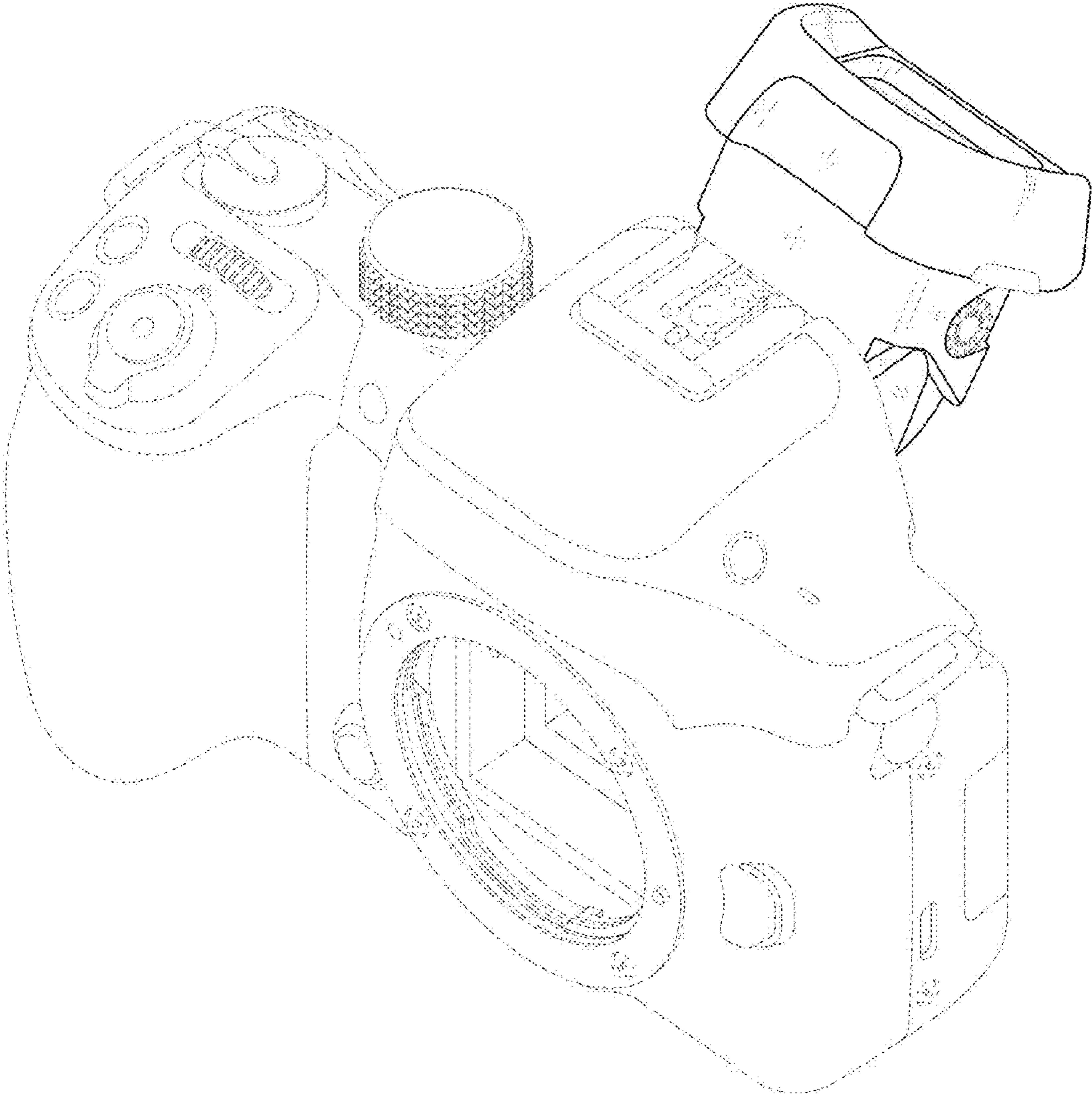


FIG. 2

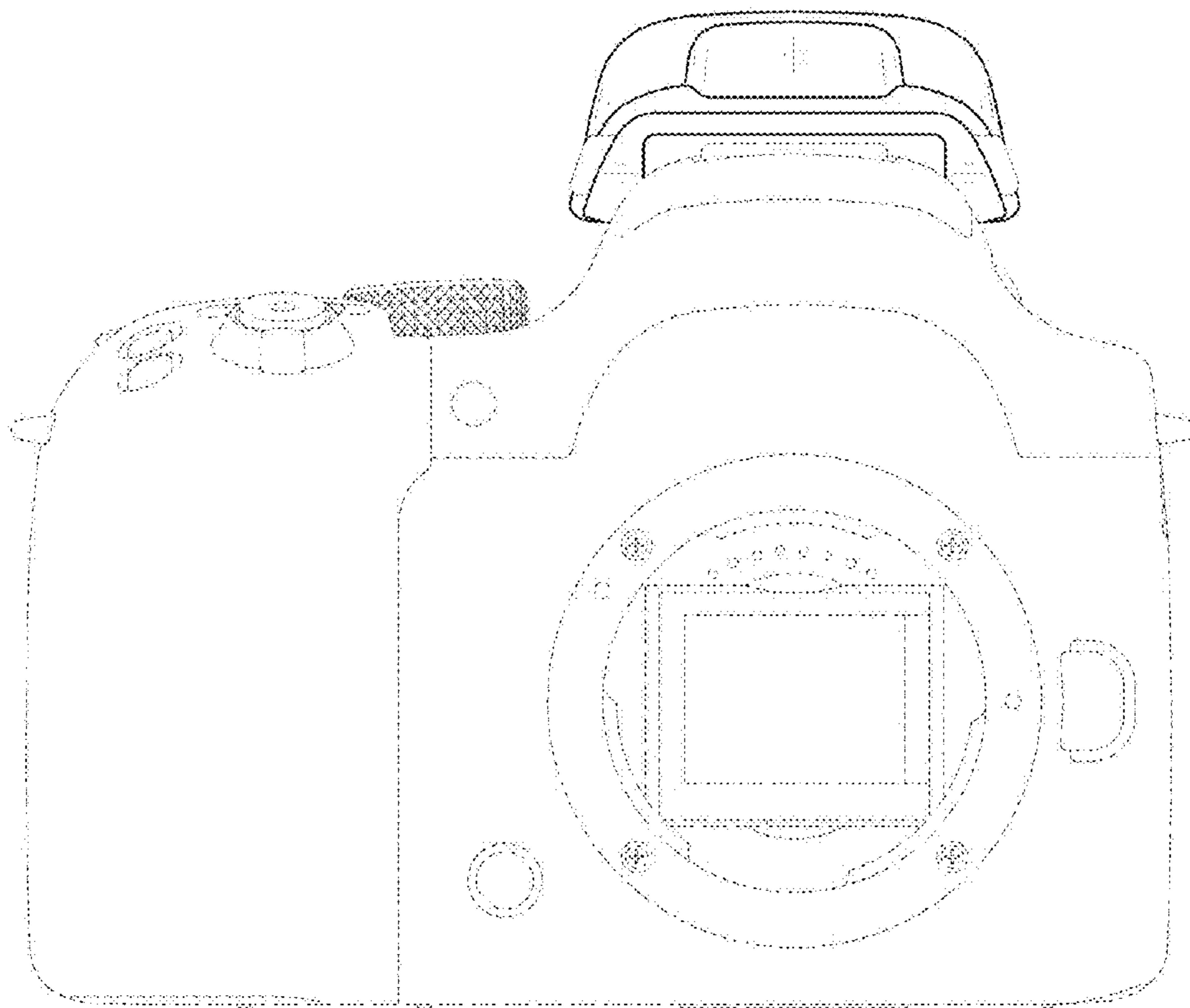


FIG. 3

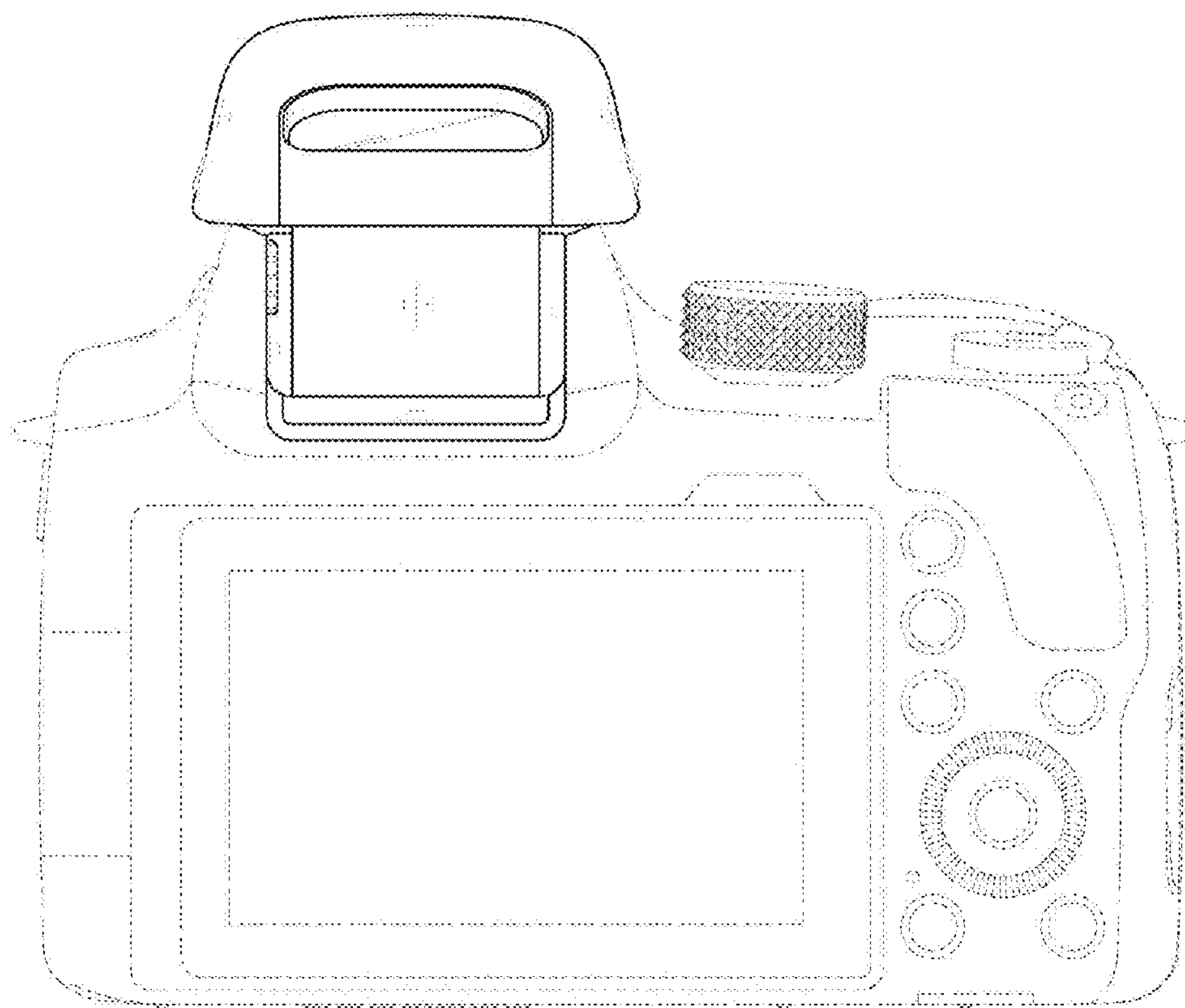


FIG. 4

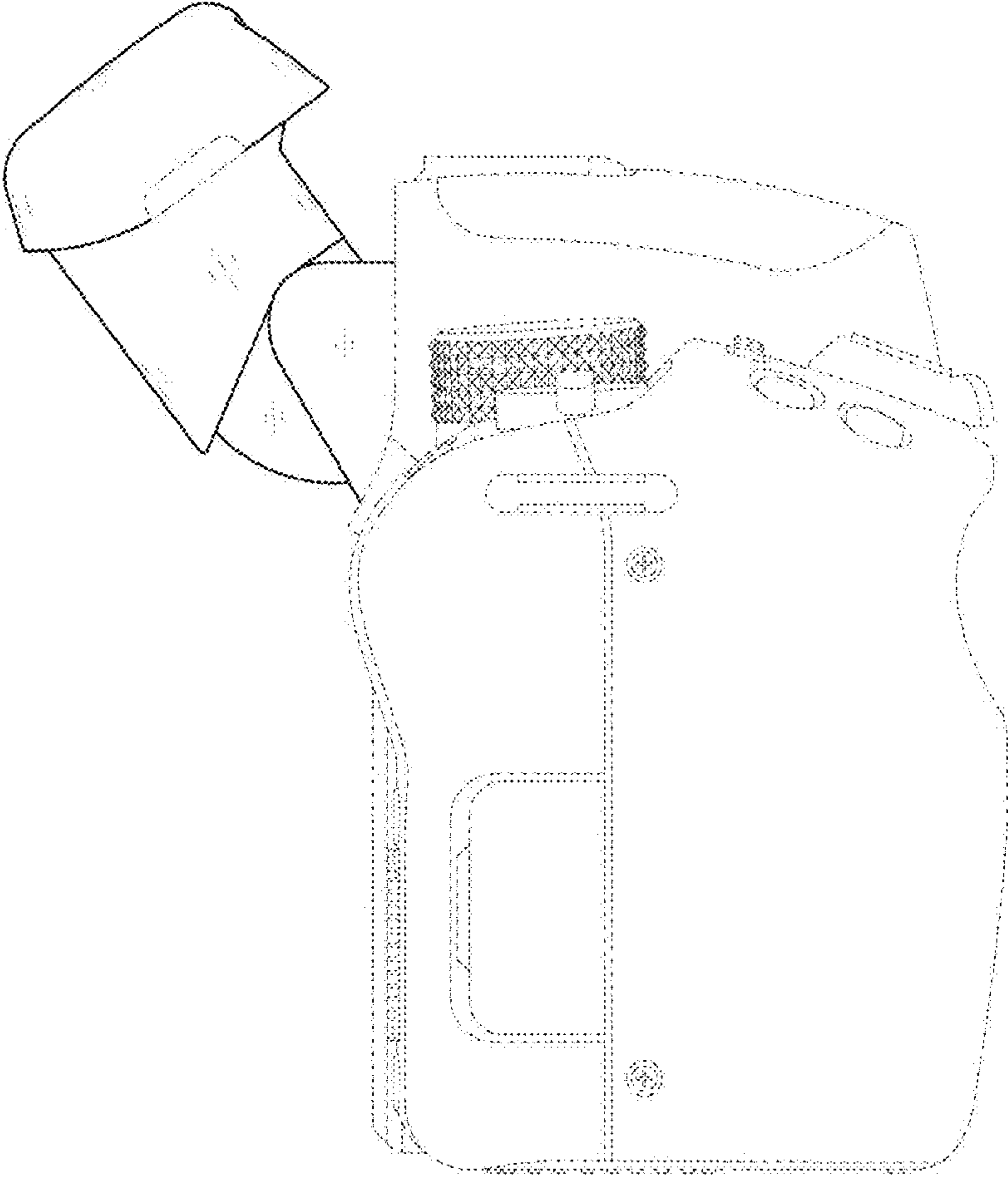


FIG. 5

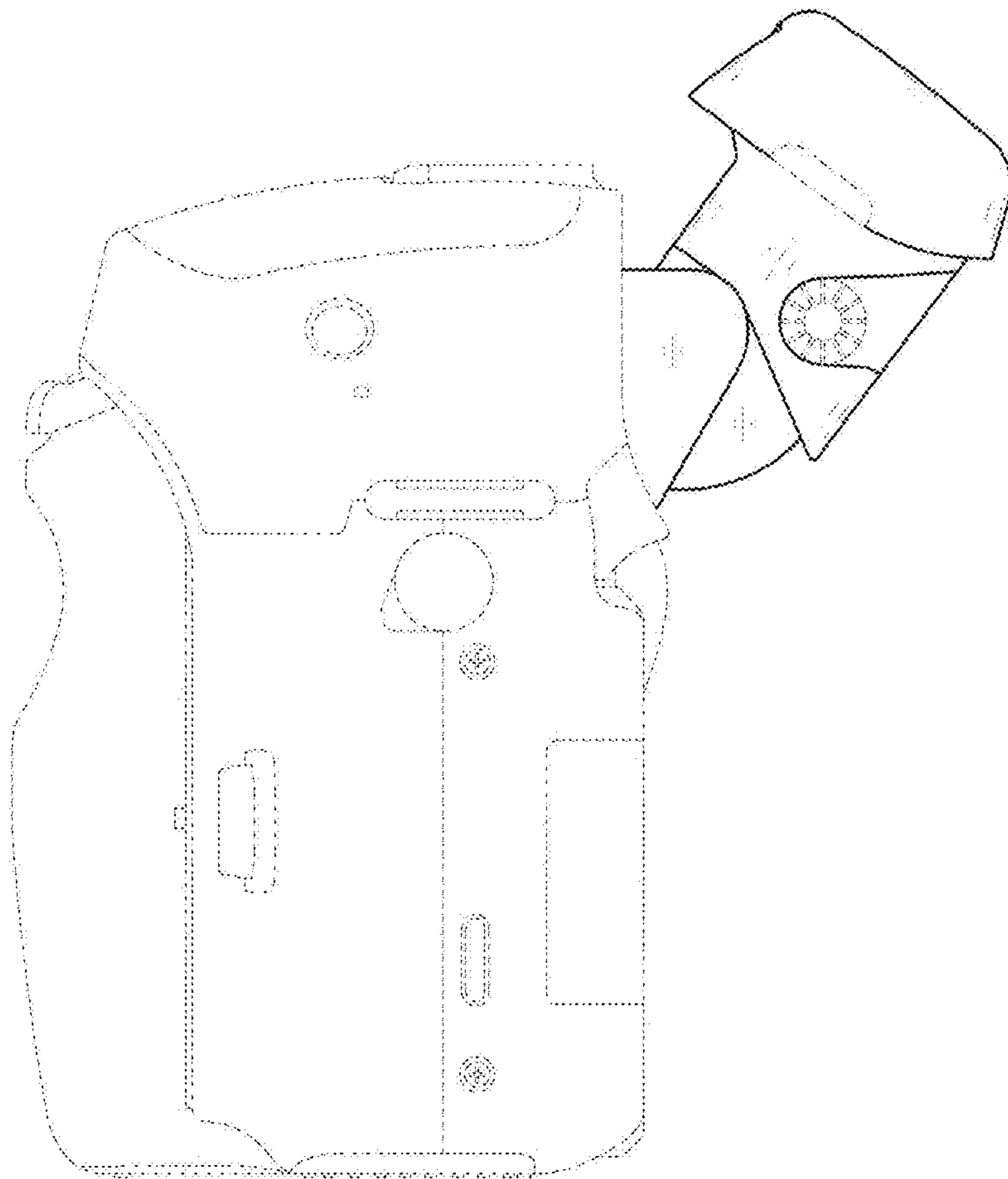


FIG. 6

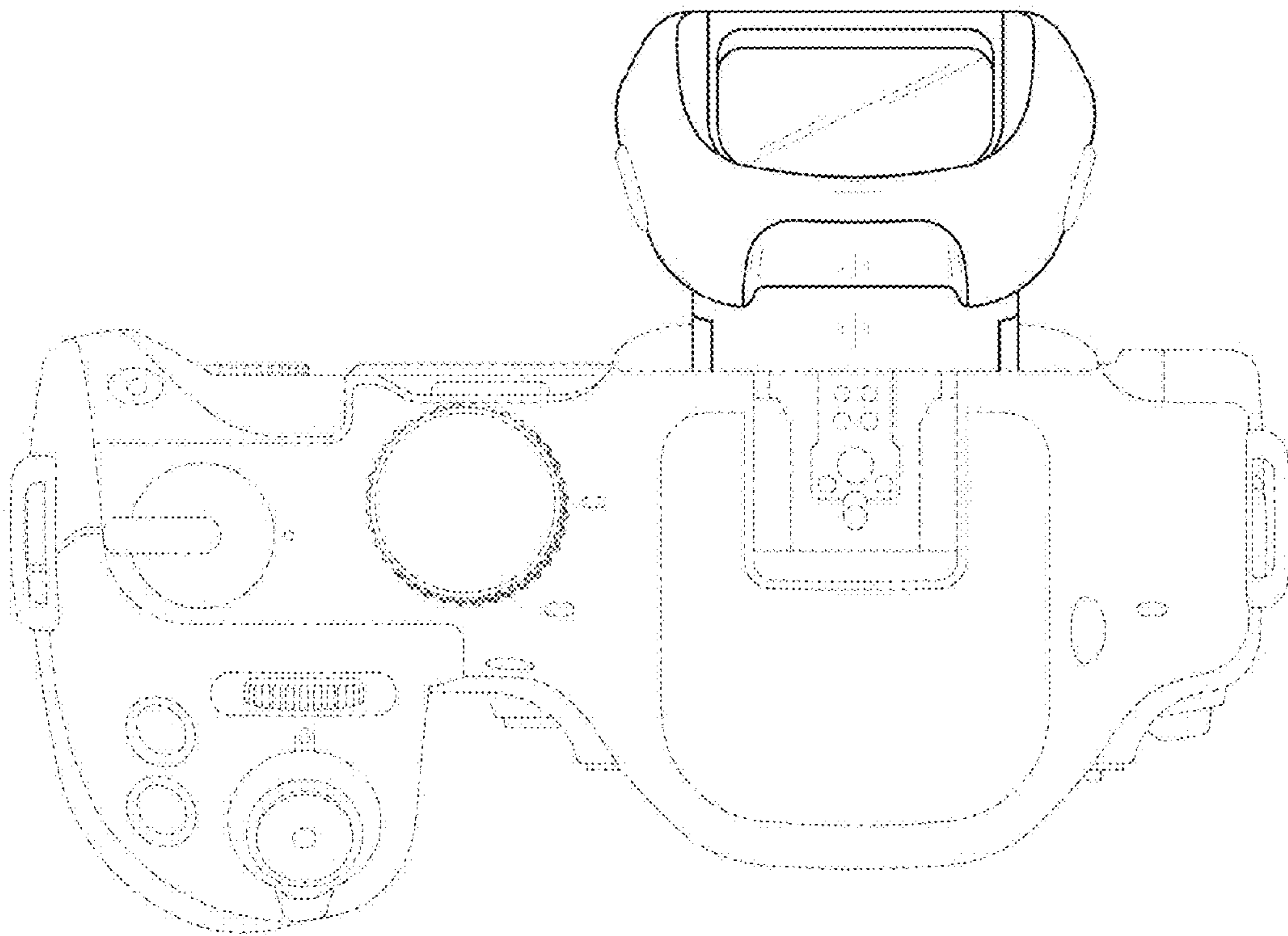


FIG. 7

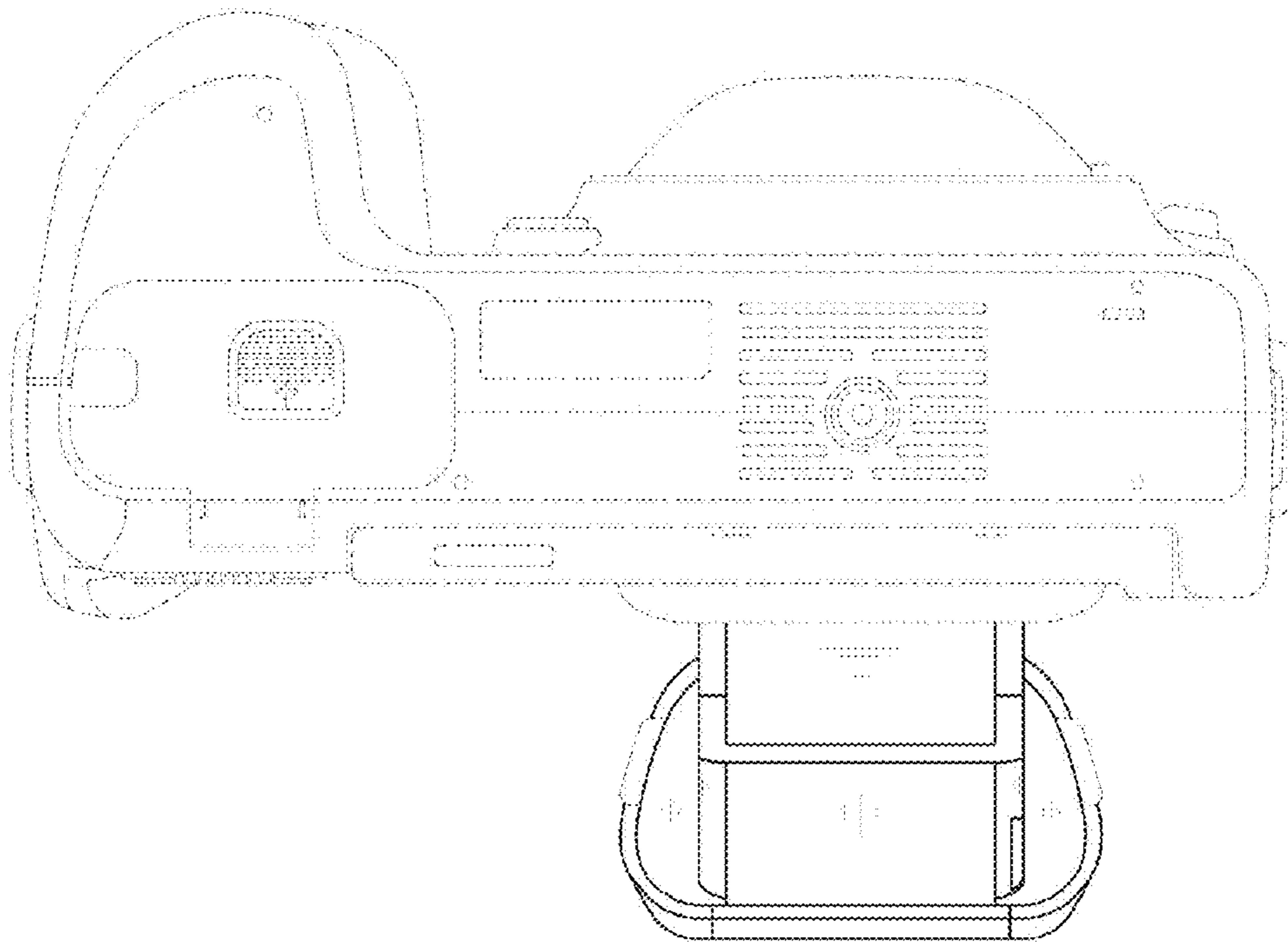




FIG. 8

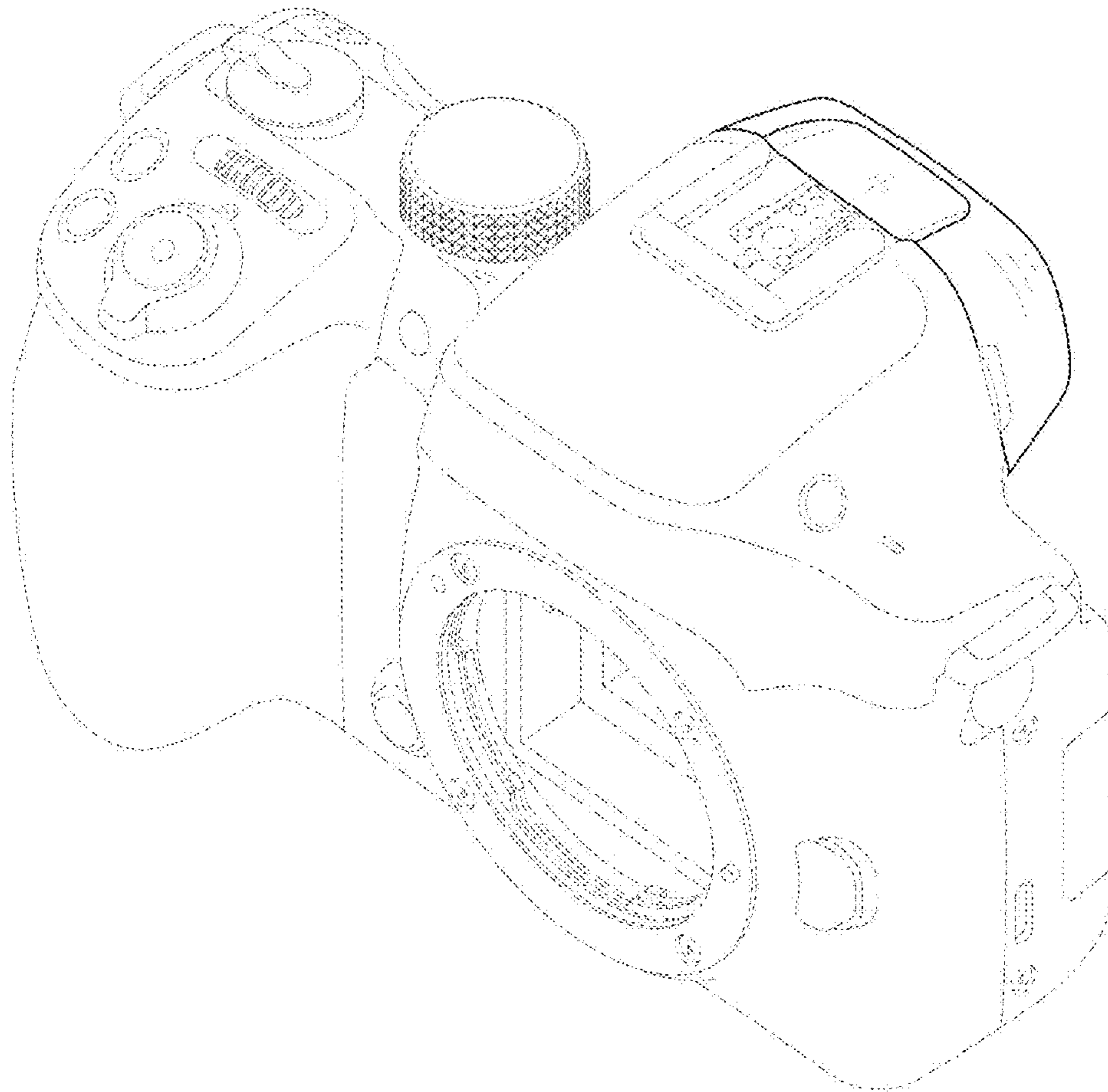


FIG. 9

