



US00D743472S

(12) **United States Design Patent**
Tanifuji

(10) **Patent No.:** **US D743,472 S**
(45) **Date of Patent:** **** Nov. 17, 2015**

(54) **VIDEO CAMERA**

(56) **References Cited**

(71) Applicant: **JVC Kenwood Corporation**, Kanagawa
(JP)

U.S. PATENT DOCUMENTS

(72) Inventor: **Shuji Tanifuji**, Kanagawa (JP)

D474,221	S	*	5/2003	Cheng	D16/218
D475,382	S	*	6/2003	Horikiri	D16/202
D496,674	S	*	9/2004	Hayashi	D16/202
D504,904	S	*	5/2005	Nagai	D16/203
D582,955	S	*	12/2008	Sekine	D16/218
D668,283	S	*	10/2012	Ohno	D16/203
8,467,675	B2	*	6/2013	Chen	G03B 17/02 348/374
D692,939	S	*	11/2013	Huang	D16/218

(73) Assignee: **JVC KENWOOD CORPORATION**,
Kanagawa (JP)

(**) Term: **14 Years**

* cited by examiner

(21) Appl. No.: **29/502,849**

Primary Examiner — Adir Aronovich

(22) Filed: **Sep. 19, 2014**

(74) *Attorney, Agent, or Firm* — Osha Liang LLP

(30) **Foreign Application Priority Data**

(57) **CLAIM**

The ornamental design for a video camera, as shown and described.

Mar. 31, 2014 (JP) 2014-007016

(51) **LOC (10) Cl.** **16-05**

(52) **U.S. Cl.**
USPC **D16/219; D16/203**

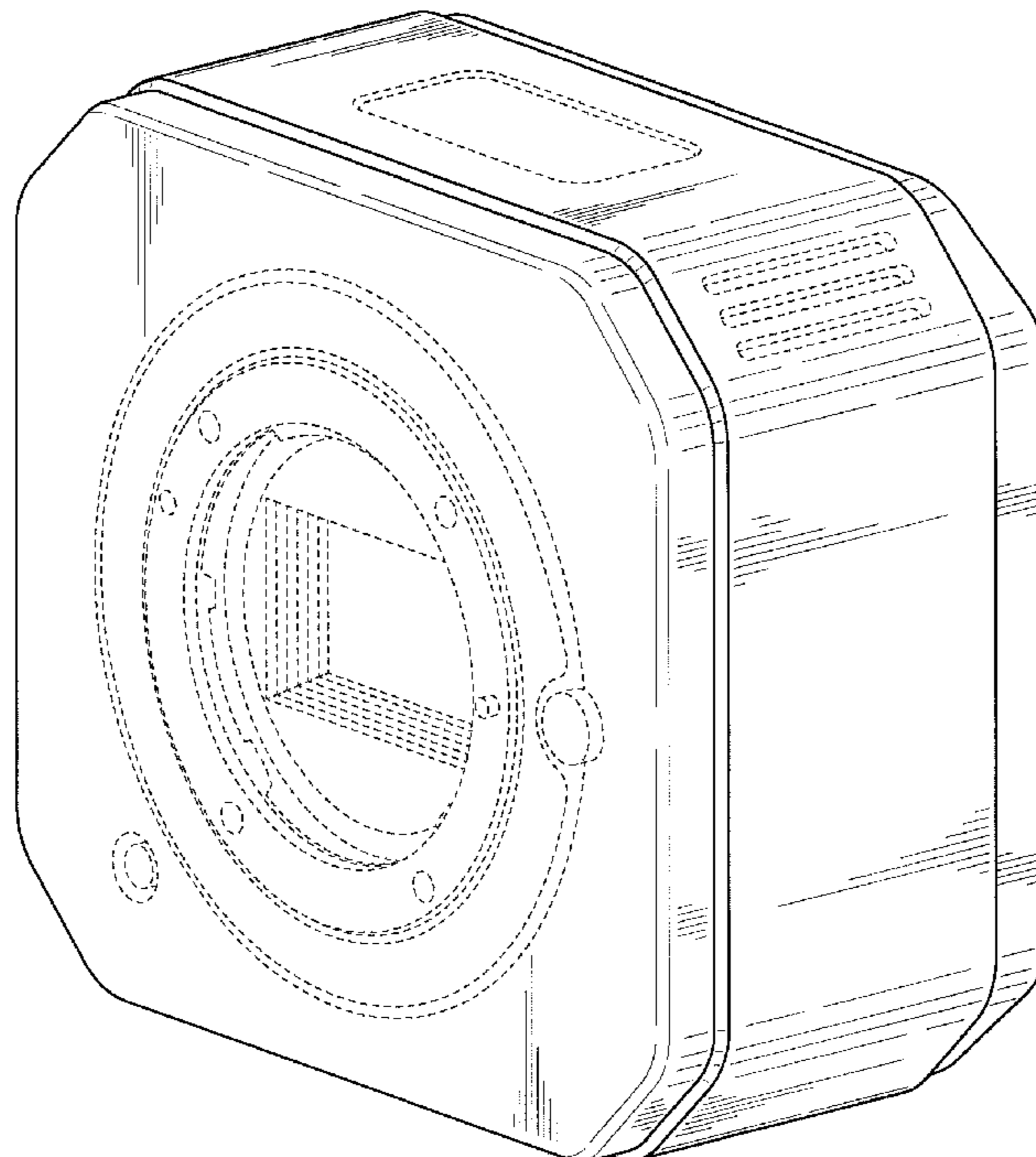
(58) **Field of Classification Search**
USPC D16/200, 202, 203, 208, 218, 219;
348/373–376; 396/535–541
CPC . H04N 5/2251; H04N 5/2252; H04N 5/2253;
H04N 2101/00

DESCRIPTION

FIG. 1 is a perspective view of front, top and right side of a video camera showing my new design;
FIG. 2 is a perspective view of rear, top and left side thereof;
FIG. 3 is a front elevational view thereof;
FIG. 4 is a rear elevational view thereof;
FIG. 5 is a left side elevational view thereof;
FIG. 6 is a right side elevational view thereof;
FIG. 7 is a top plan view thereof; and,
FIG. 8 is a bottom plan view thereof.
The broken lines in the drawings are shown to illustrate the portions of a video camera in which the design is embodied and form no part of the claimed design.

See application file for complete search history.

1 Claim, 7 Drawing Sheets



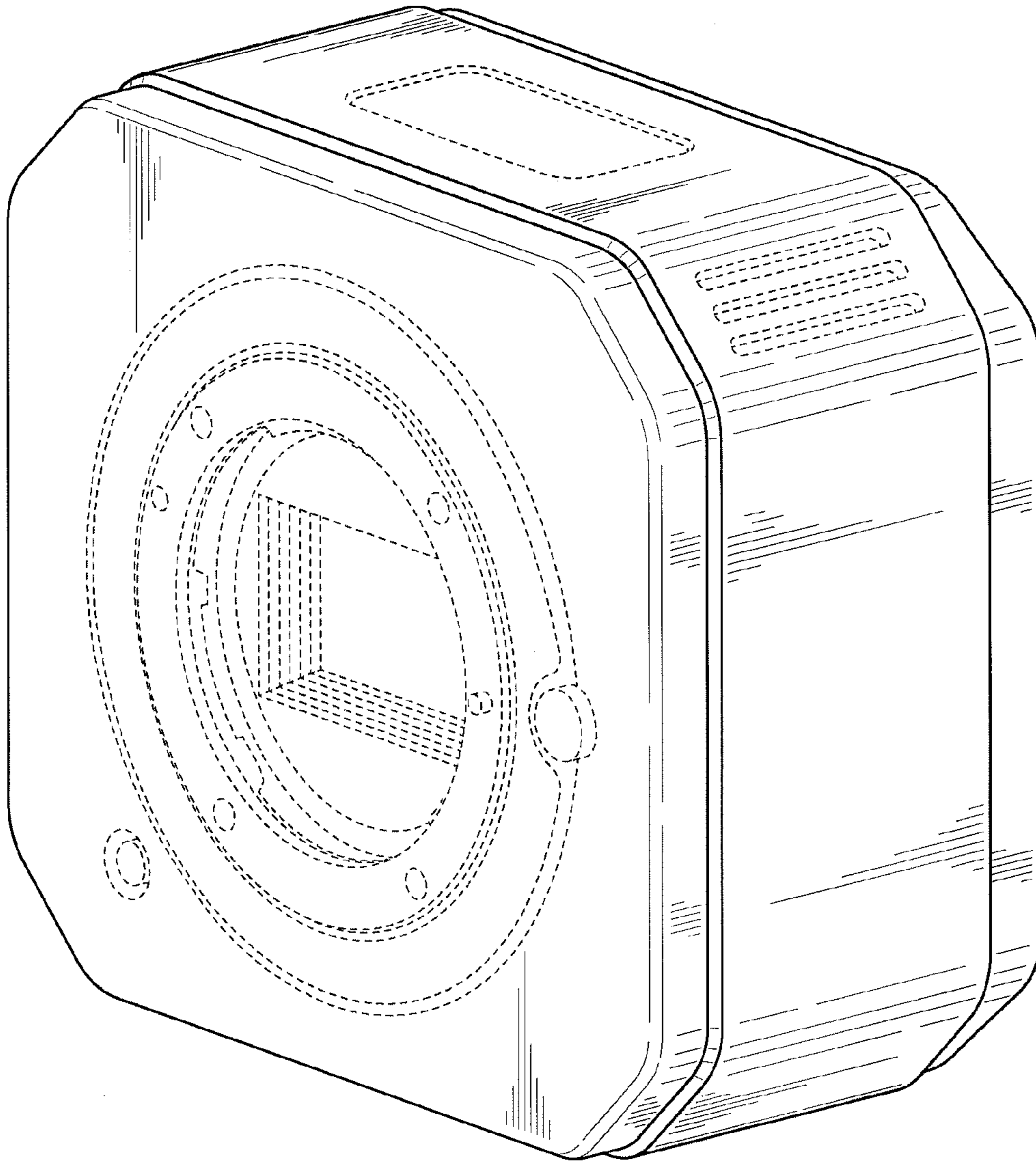


FIG. 1

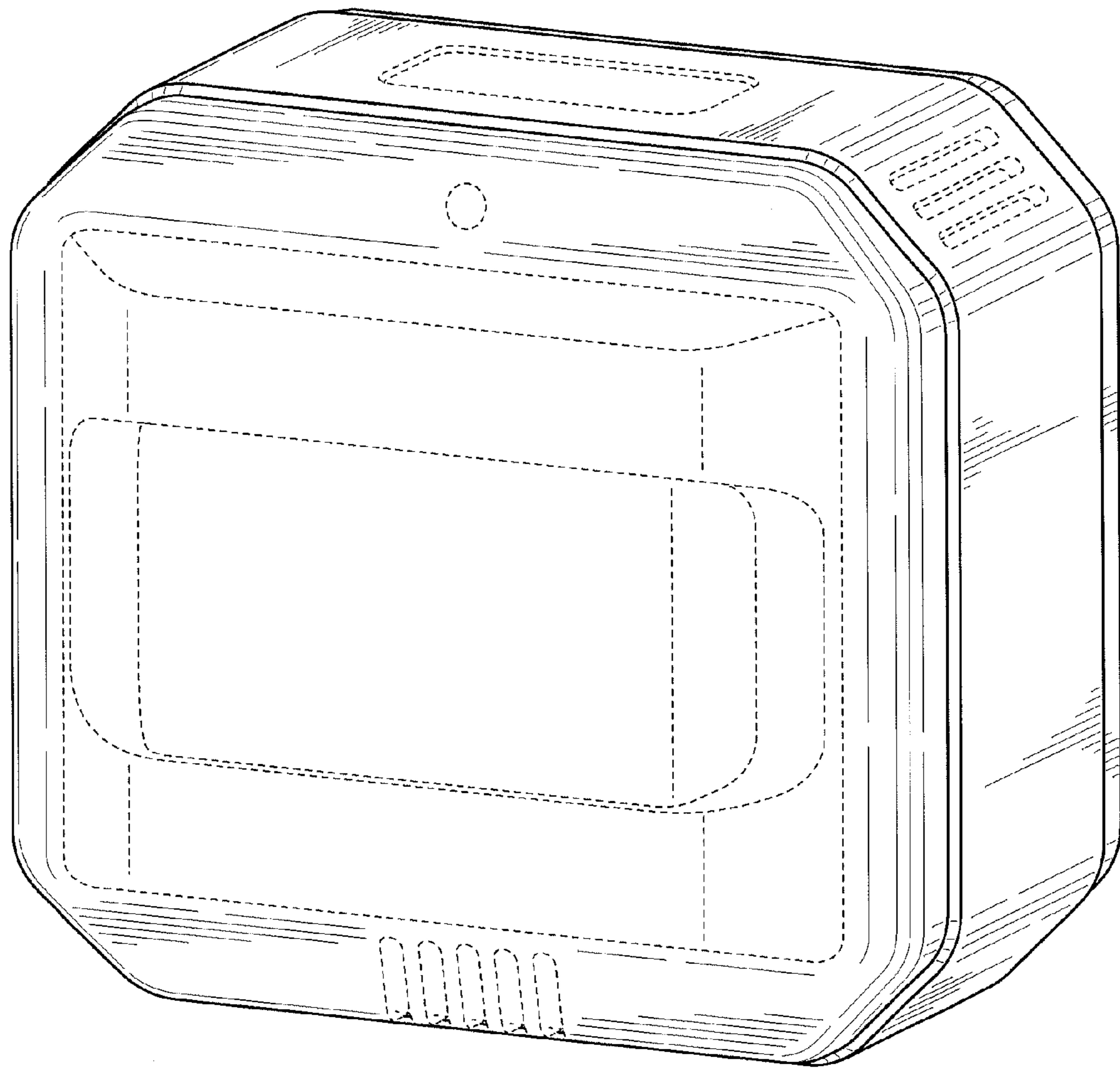


FIG. 2

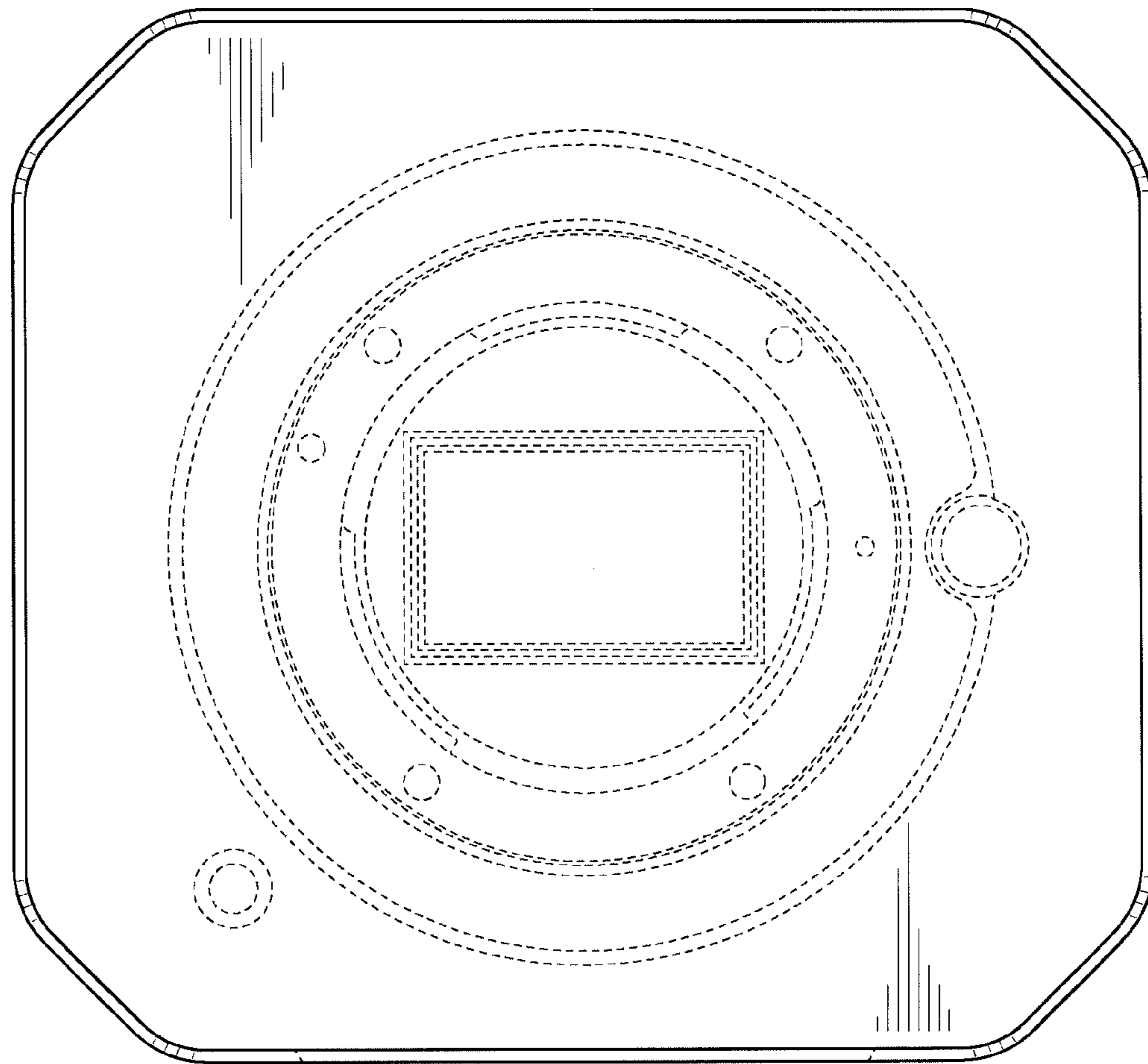


FIG. 3

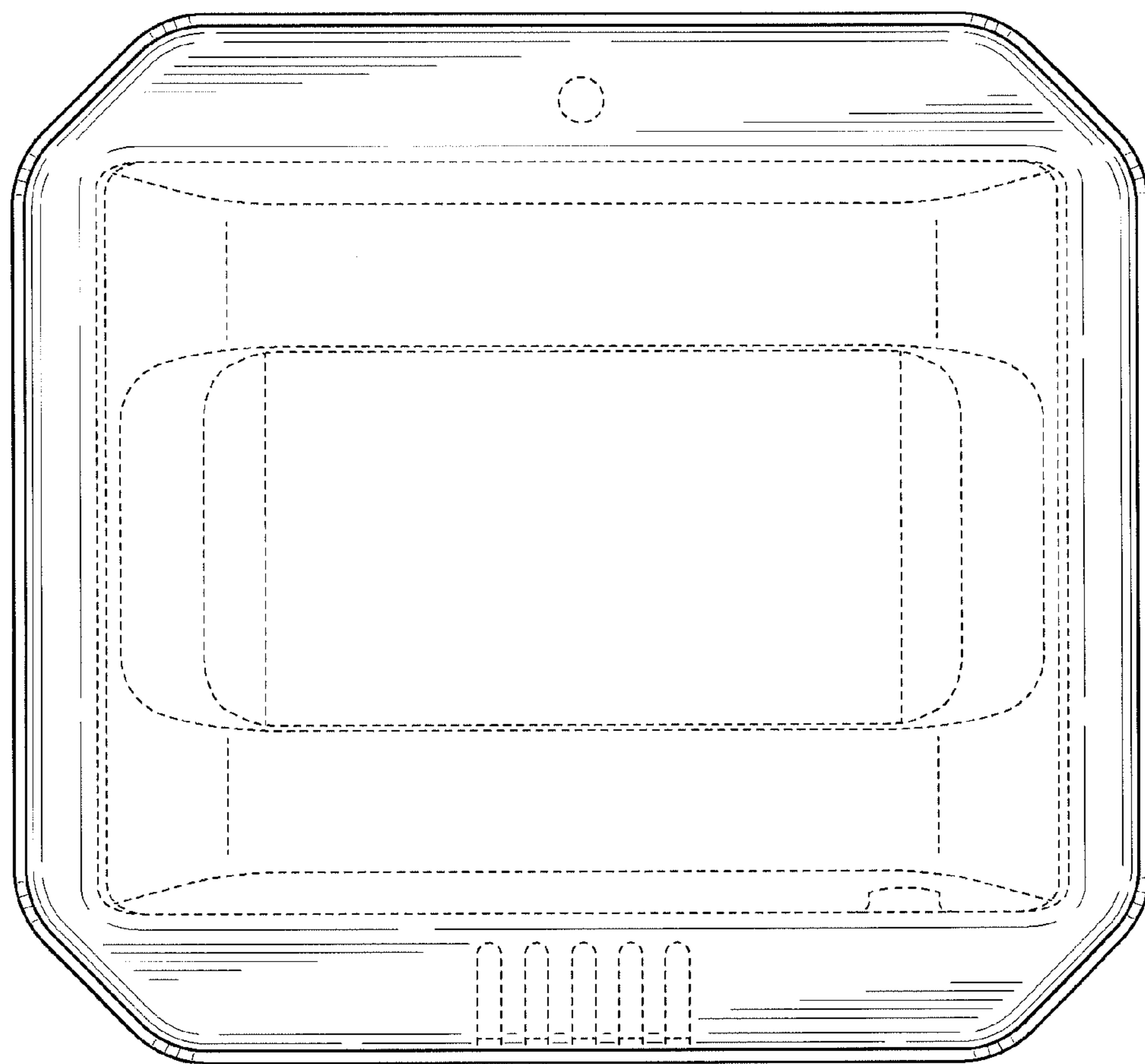


FIG. 4

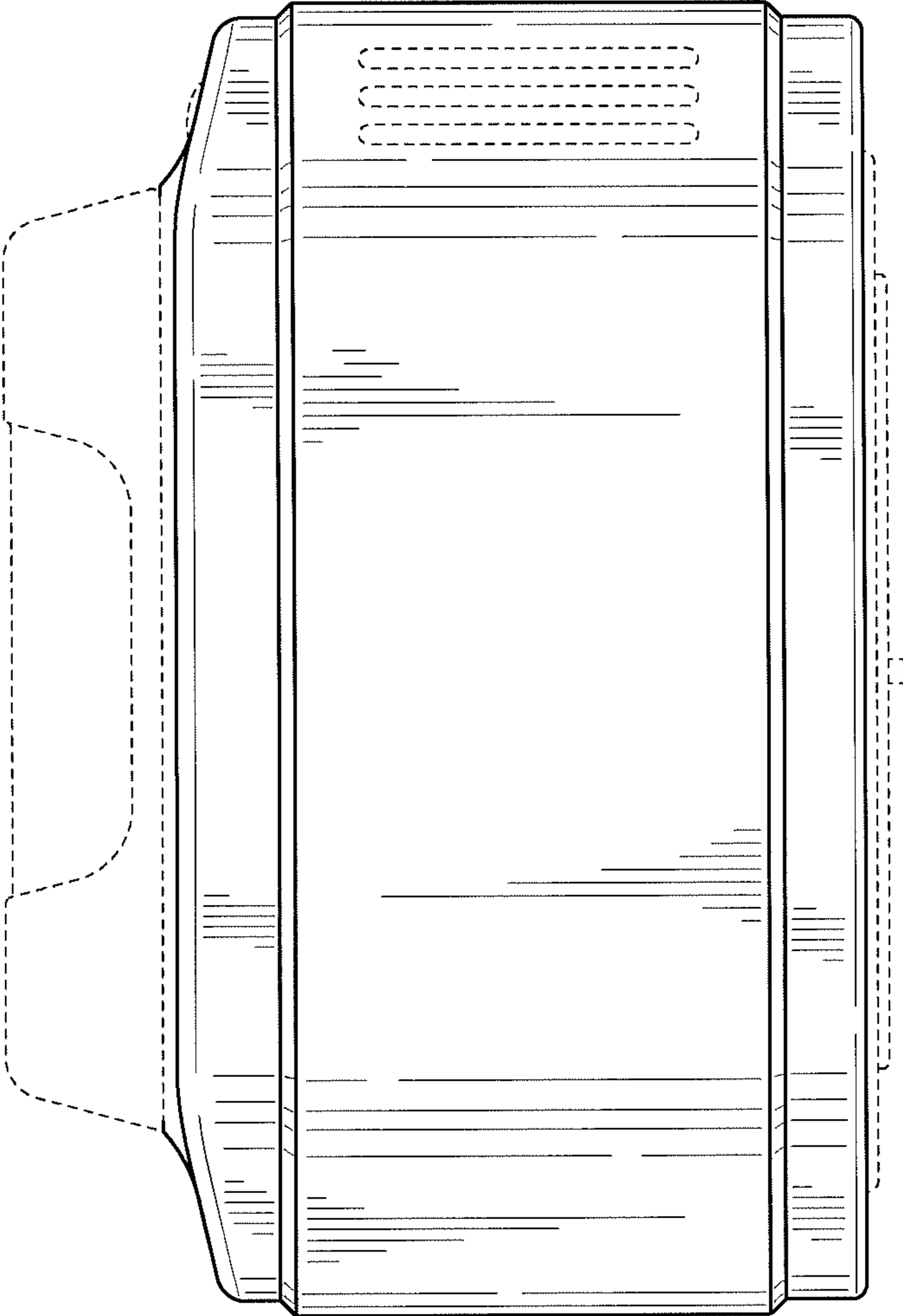


FIG. 5

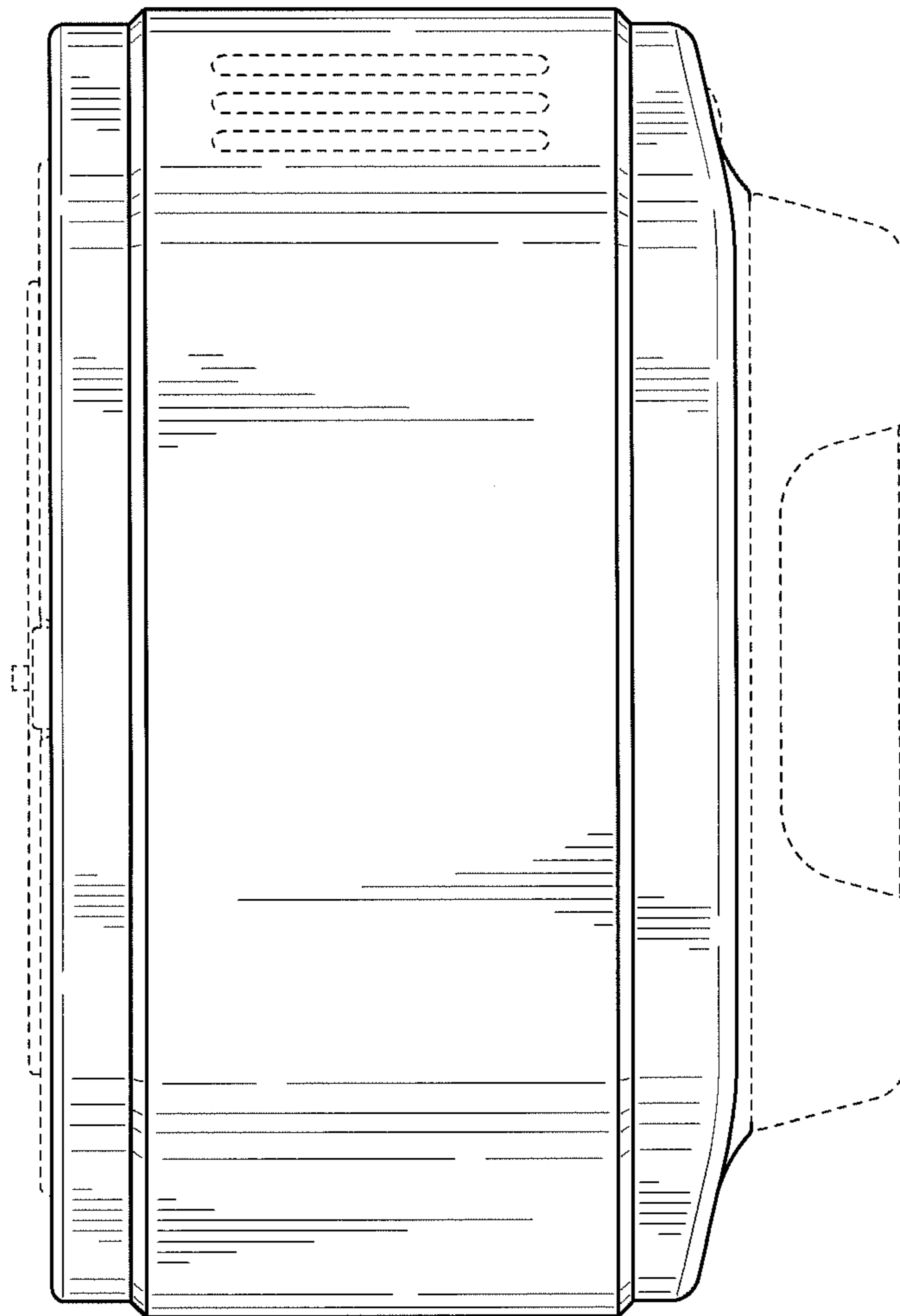


FIG. 6

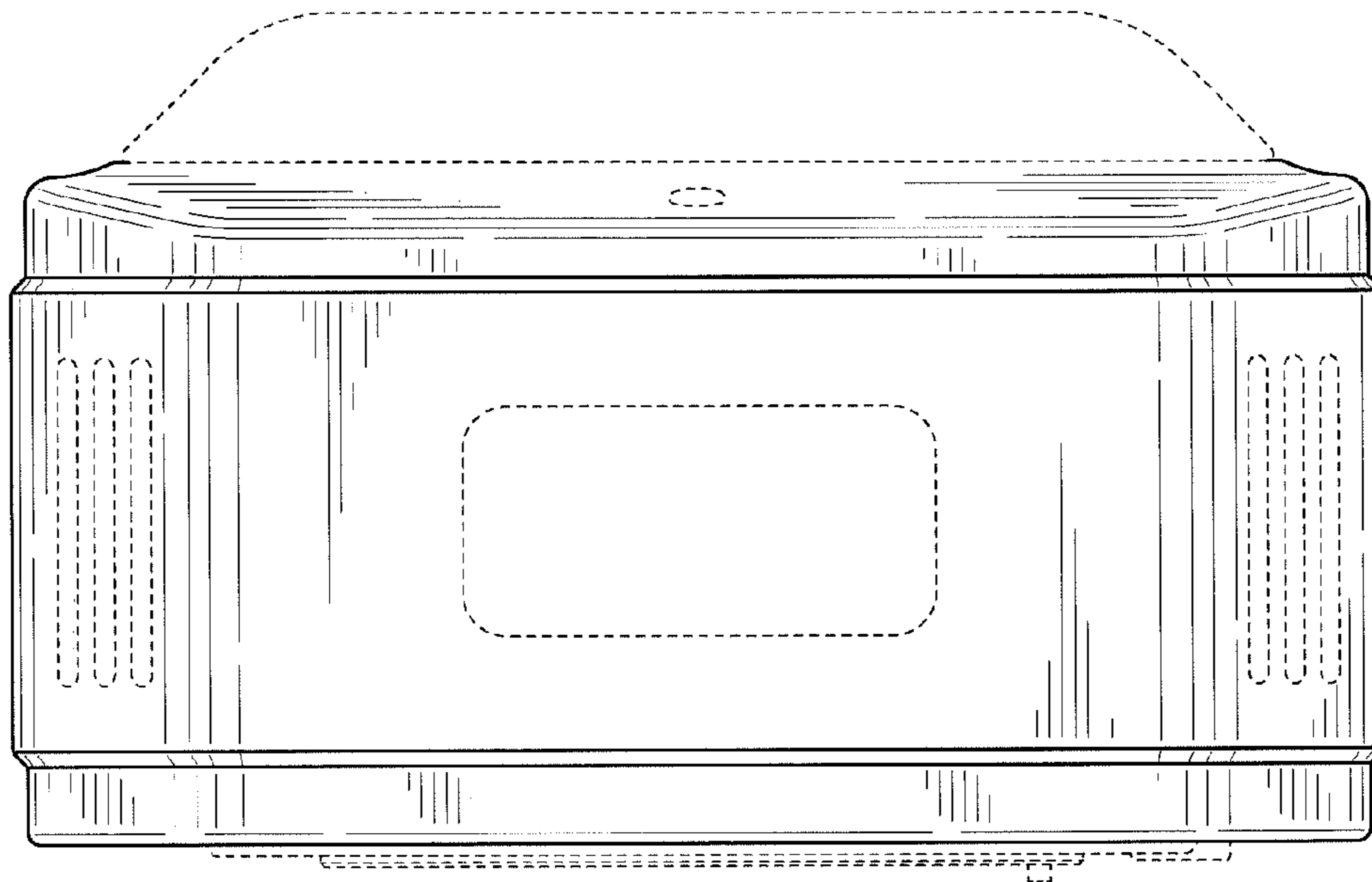


FIG. 7

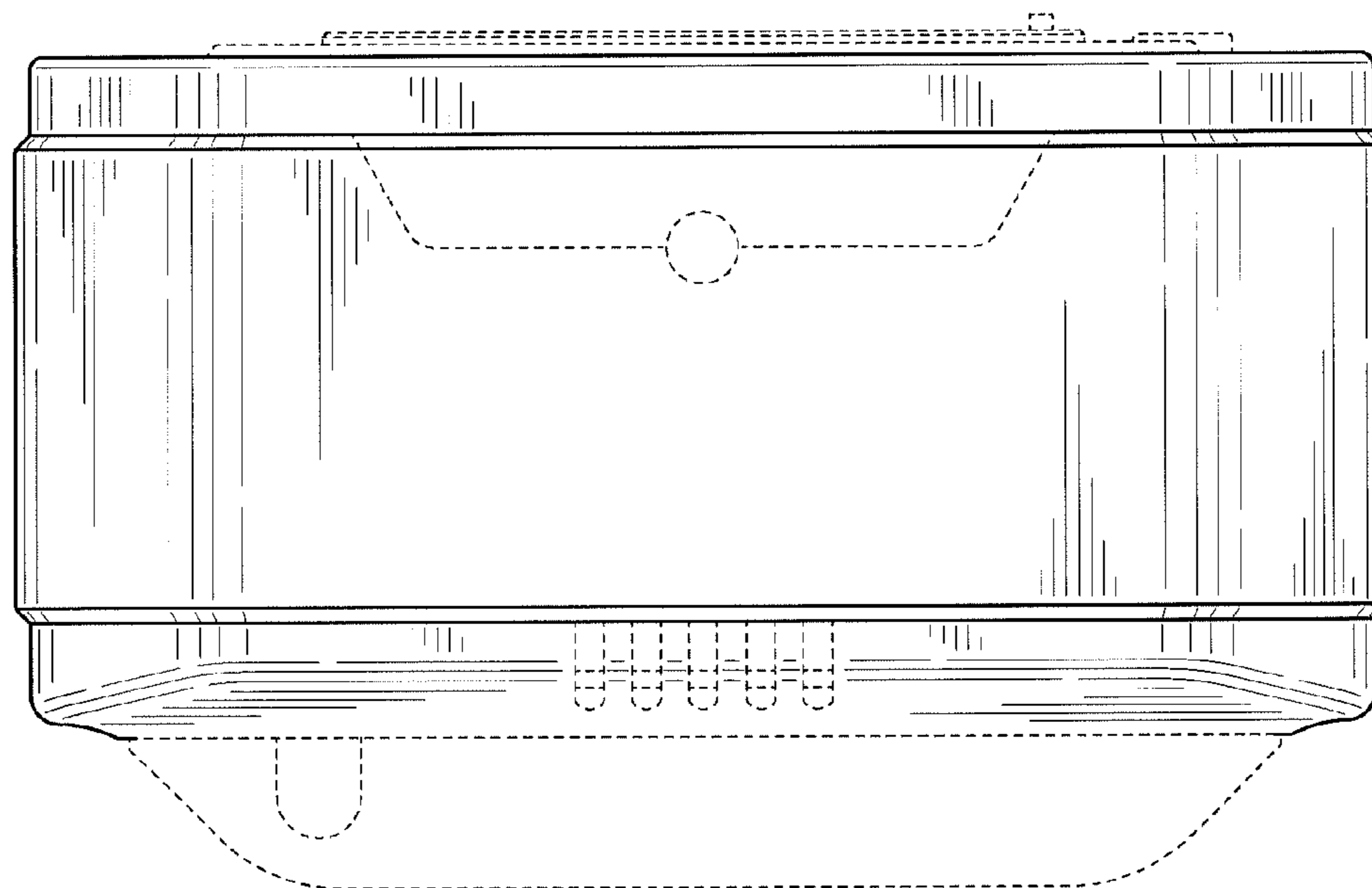


FIG. 8