



US00D743469S

(12) **United States Design Patent**
Urashima et al.

(10) **Patent No.:** **US D743,469 S**

(45) **Date of Patent:** **** Nov. 17, 2015**

(54) **SURVEILLANCE CAMERA**

(71) Applicant: **Panasonic Corporation**, Kadoma-shi,
Osaka (JP)

(72) Inventors: **Yoshihito Urashima**, Fukuoka (JP);
Jyouji Wada, Kanagawa (JP); **Masahito Oka**,
Fukuoka (JP); **Yuuya Jikihara**, Fukuoka (JP)

(73) Assignee: **PANASONIC INTELLECTUAL
PROPERTY MANAGEMENT CO., LTD.**, Osaka (JP)

(**) Term: **14 Years**

(21) Appl. No.: **29/462,028**

(22) Filed: **Jul. 30, 2013**

(30) **Foreign Application Priority Data**

Feb. 15, 2013 (JP) 2013-002984

(51) **LOC (10) Cl.** **16-05**

(52) **U.S. Cl.**
USPC **D16/219**

(58) **Field of Classification Search**
USPC D16/200, 202–208, 218, 219, 242;
348/143, 148, 151, 164, 373–376;
396/419, 427, 535, 539–541
CPC G03B 17/02; G03B 19/04; G03B 17/56;
G03B 17/04; G03B 15/03; H04N 5/2251;
H04N 5/2252; H04N 5/2253; H04N 5/2254;
H04N 7/181; H04N 7/183; H04N 7/18;
G08B 13/1963; G08B 13/19619; G08B
13/19632; F16M 11/04; F16M 13/00
See application file for complete search history.

(56) **References Cited**

U.S. PATENT DOCUMENTS

D388,450 S * 12/1997 Hamano et al. D16/203
D390,858 S 2/1998 Wen

D399,517 S * 10/1998 Hasegawa D16/203
D451,116 S 11/2001 Kono et al.
D461,485 S * 8/2002 Jones et al. D16/203
6,525,766 B1 * 2/2003 Ikoma et al. 348/151
D473,887 S * 4/2003 Jones et al. D16/203
D473,888 S * 4/2003 Jones et al. D16/203
D499,126 S * 11/2004 Kato et al. D16/203
D562,870 S * 2/2008 Komatsu et al. D16/203
D597,117 S * 7/2009 Yamane et al. D16/203
D624,106 S 9/2010 Cho et al.
D629,436 S * 12/2010 Cheng et al. D16/203
D653,687 S * 2/2012 Yu D16/200
D678,380 S 3/2013 Pardo et al.

* cited by examiner

Primary Examiner — Adir Aronovich

Assistant Examiner — Ramzi Almatrahi

(74) *Attorney, Agent, or Firm* — Brinks Gilson & Lione

(57) **CLAIM**

We claim the ornamental design for a surveillance camera, as shown and described.

DESCRIPTION

FIG. 1 is a perspective view of a surveillance camera showing our design;
FIG. 2 is a bottom plan view thereof;
FIG. 3 is an enlarged bottom plan view of the encircled portion shown in dash-dot-dot lines in FIG. 2 thereof;
FIG. 4 is a right side elevation view thereof;
FIG. 5 is a front elevation view thereof;
FIG. 6 is a front elevation view thereof with the lens rotated and positioned towards the front; and,
FIG. 7 is a front elevation view thereof with the lens rotated towards the front, and the lens cover rotated to partially cover the lens.
The broken lines in the drawings are included for the purpose of illustrating environment subject matter and form no part of the claims design. The dash-dot-dot broken lines encircling portions of the claimed design that are illustrated in enlargements form no part of the claimed design.

1 Claim, 7 Drawing Sheets

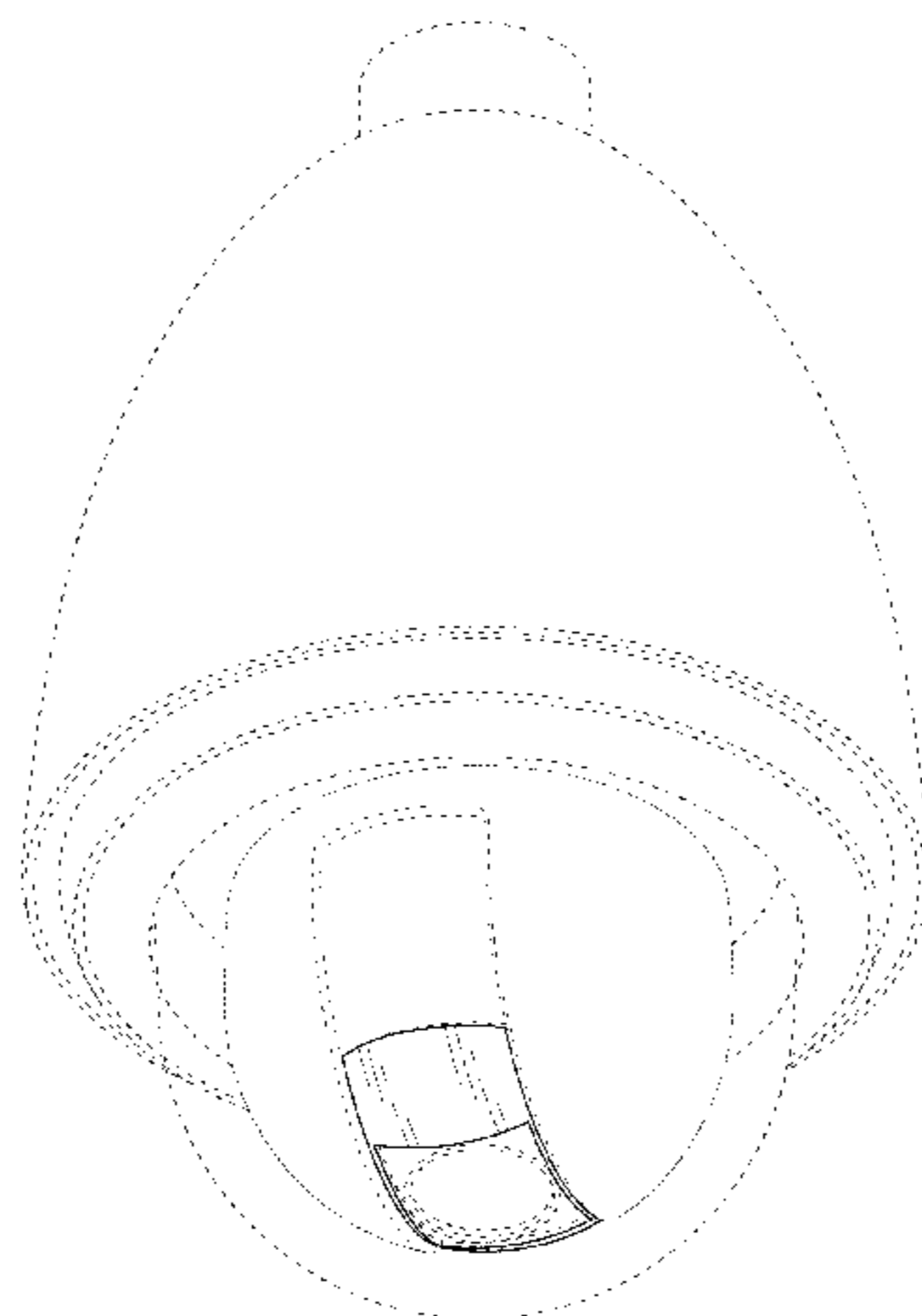


FIG. 1

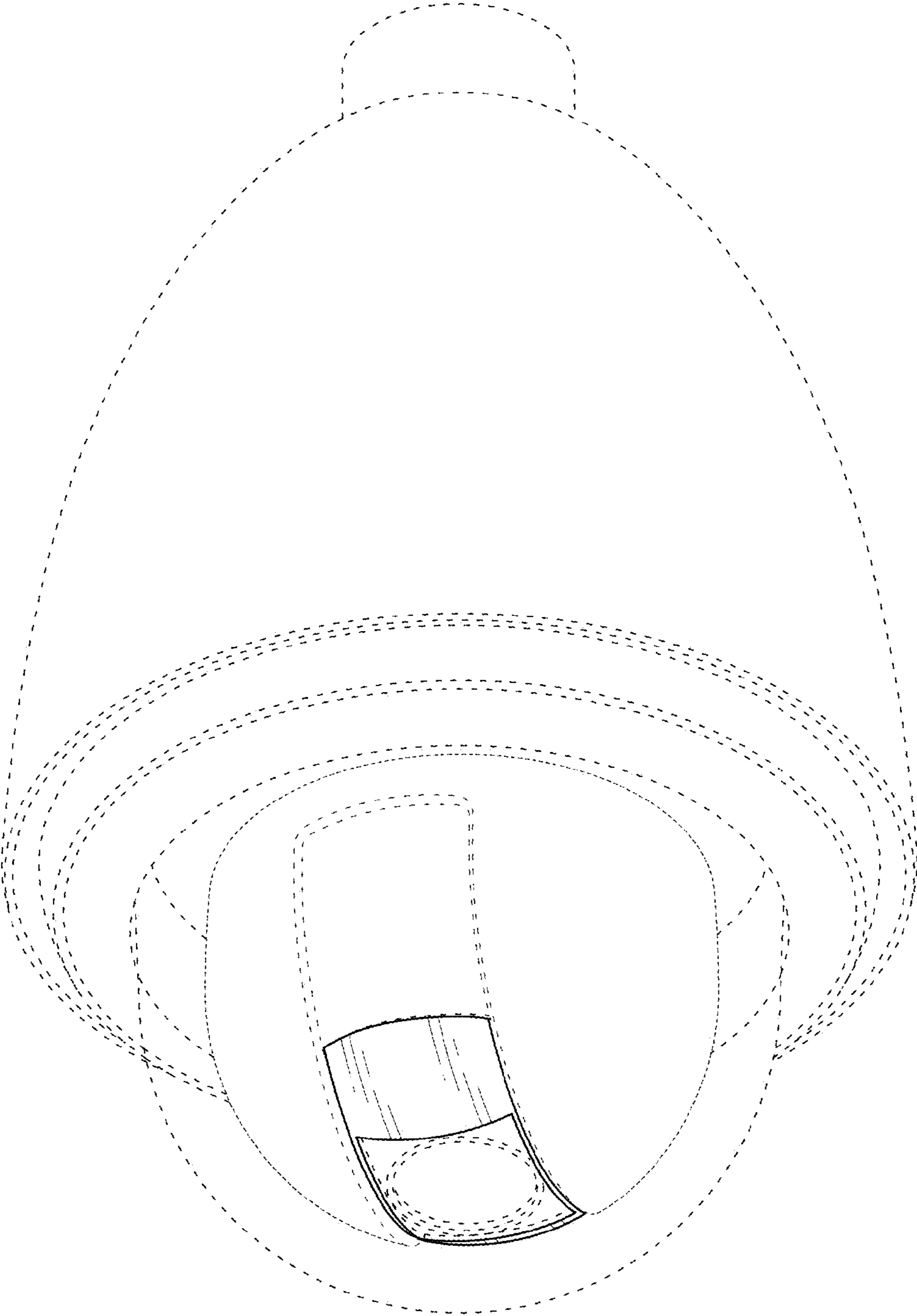


FIG.2

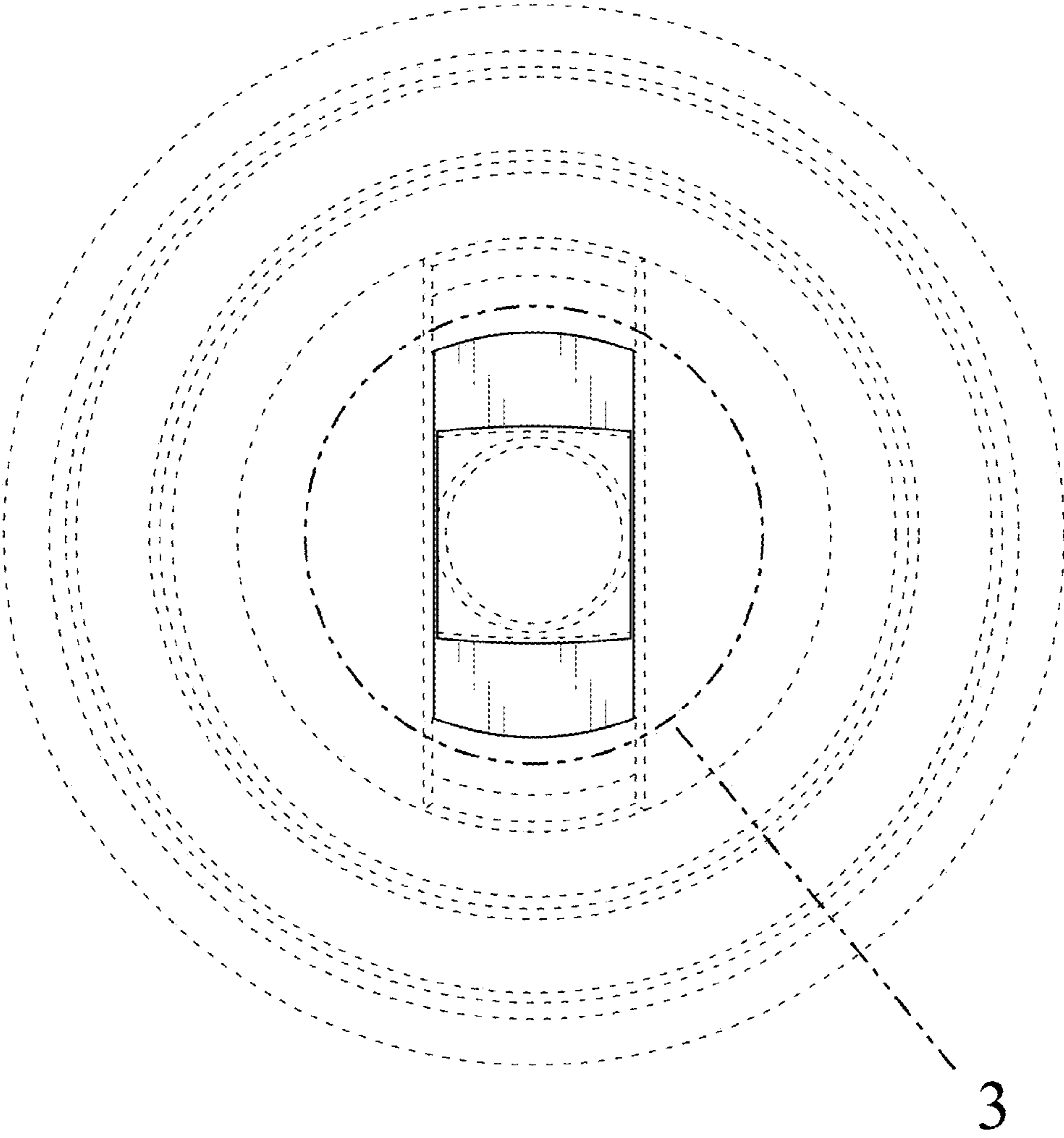


FIG.3

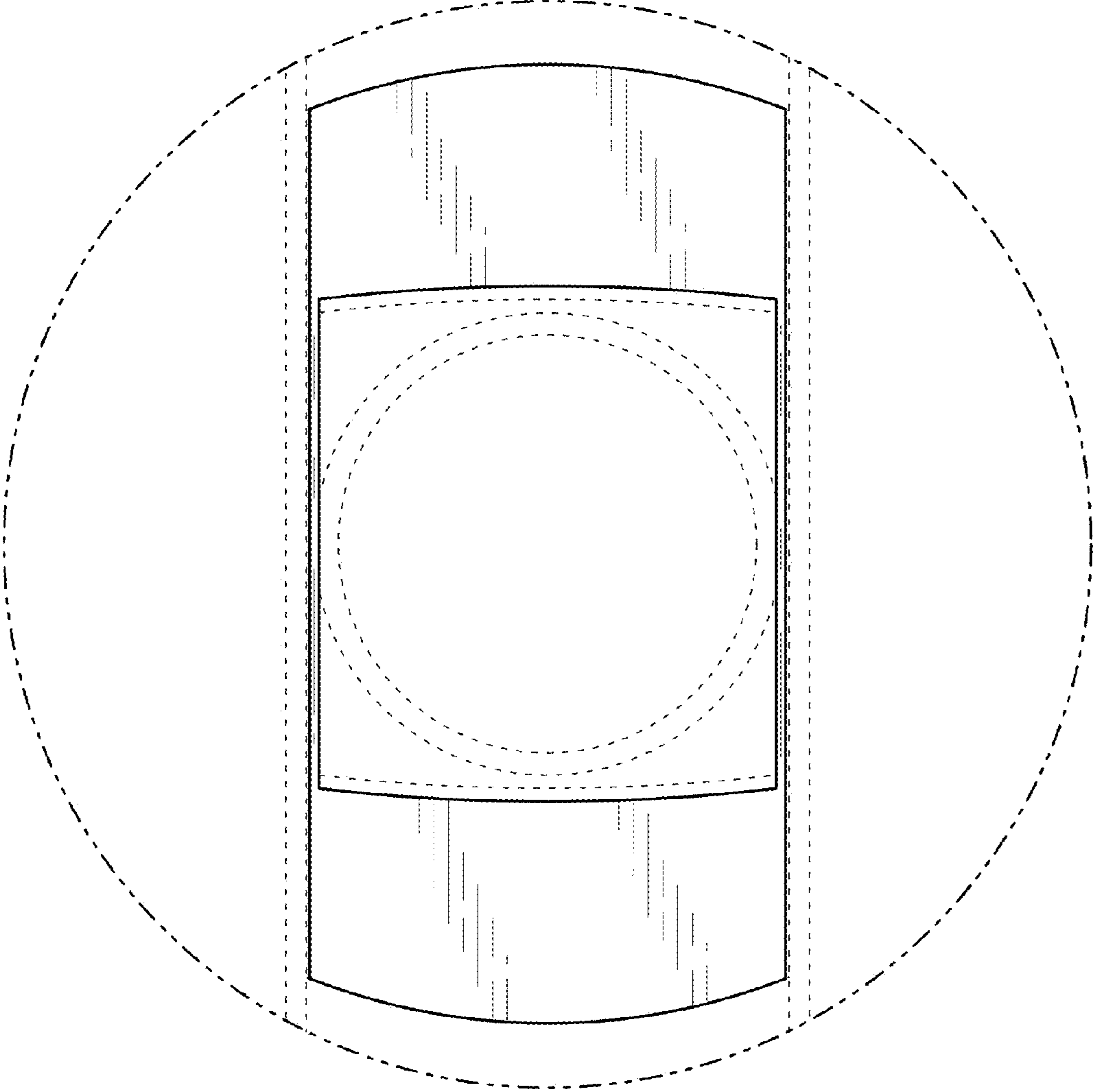


FIG.4

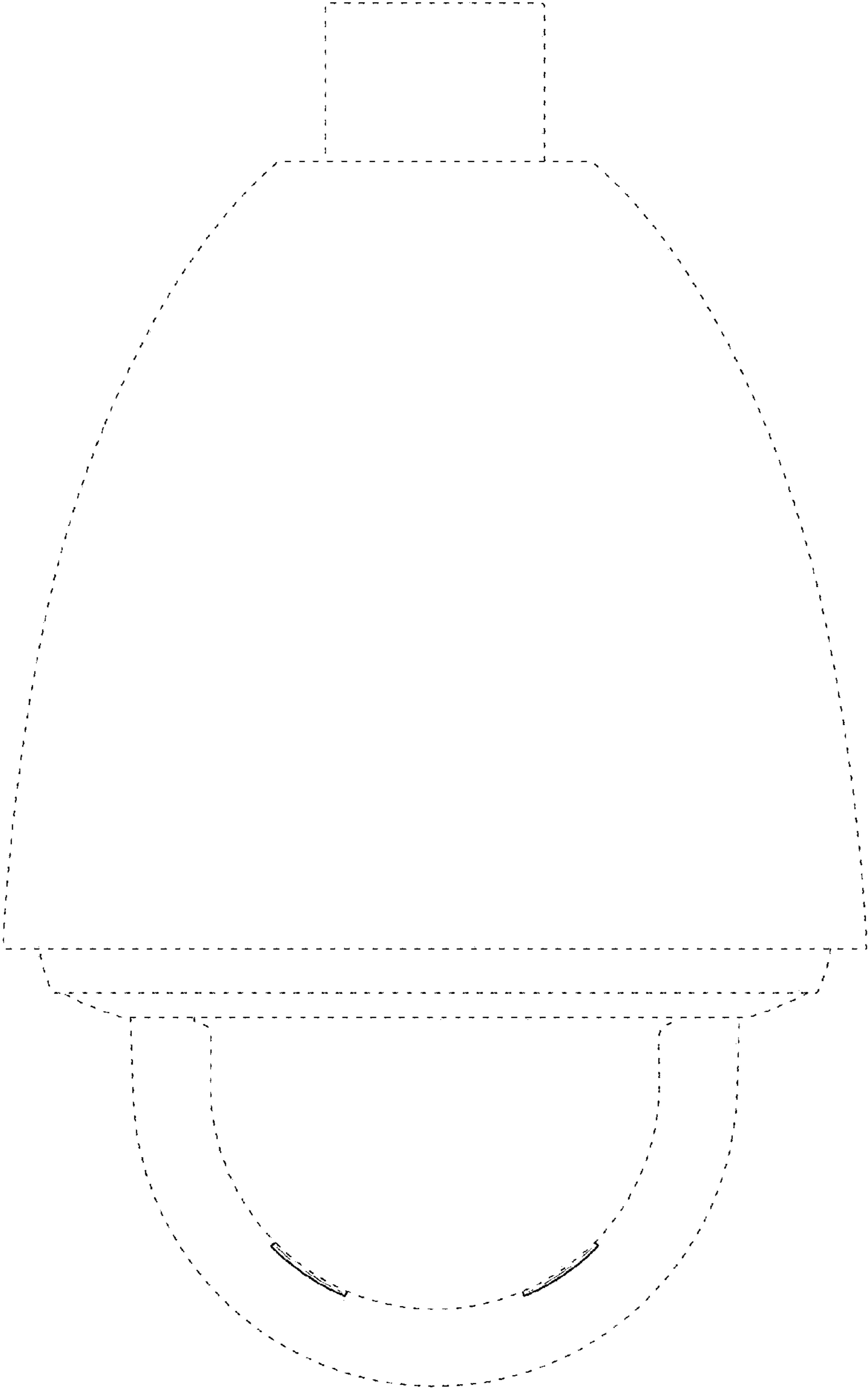


FIG.5

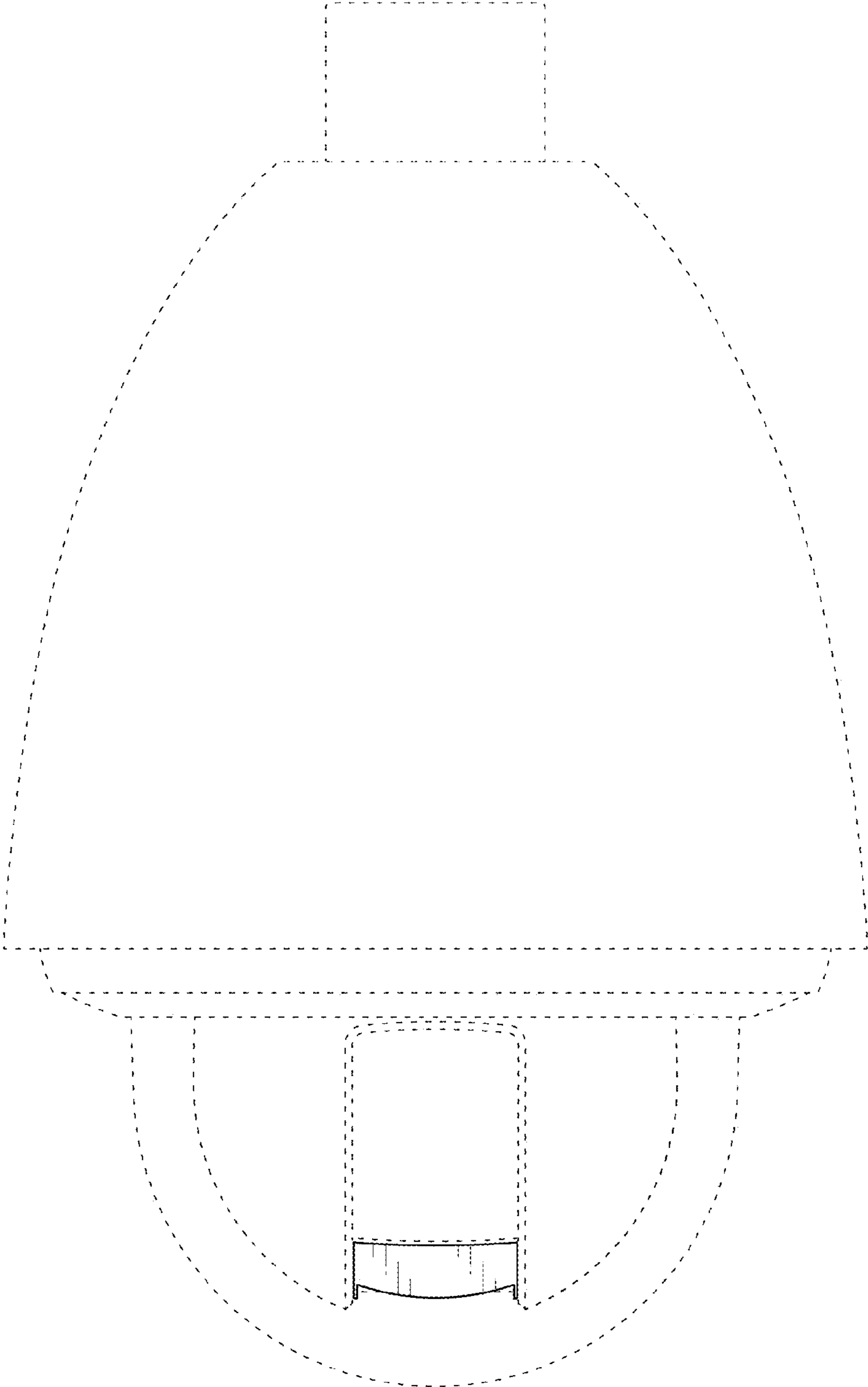


FIG.6

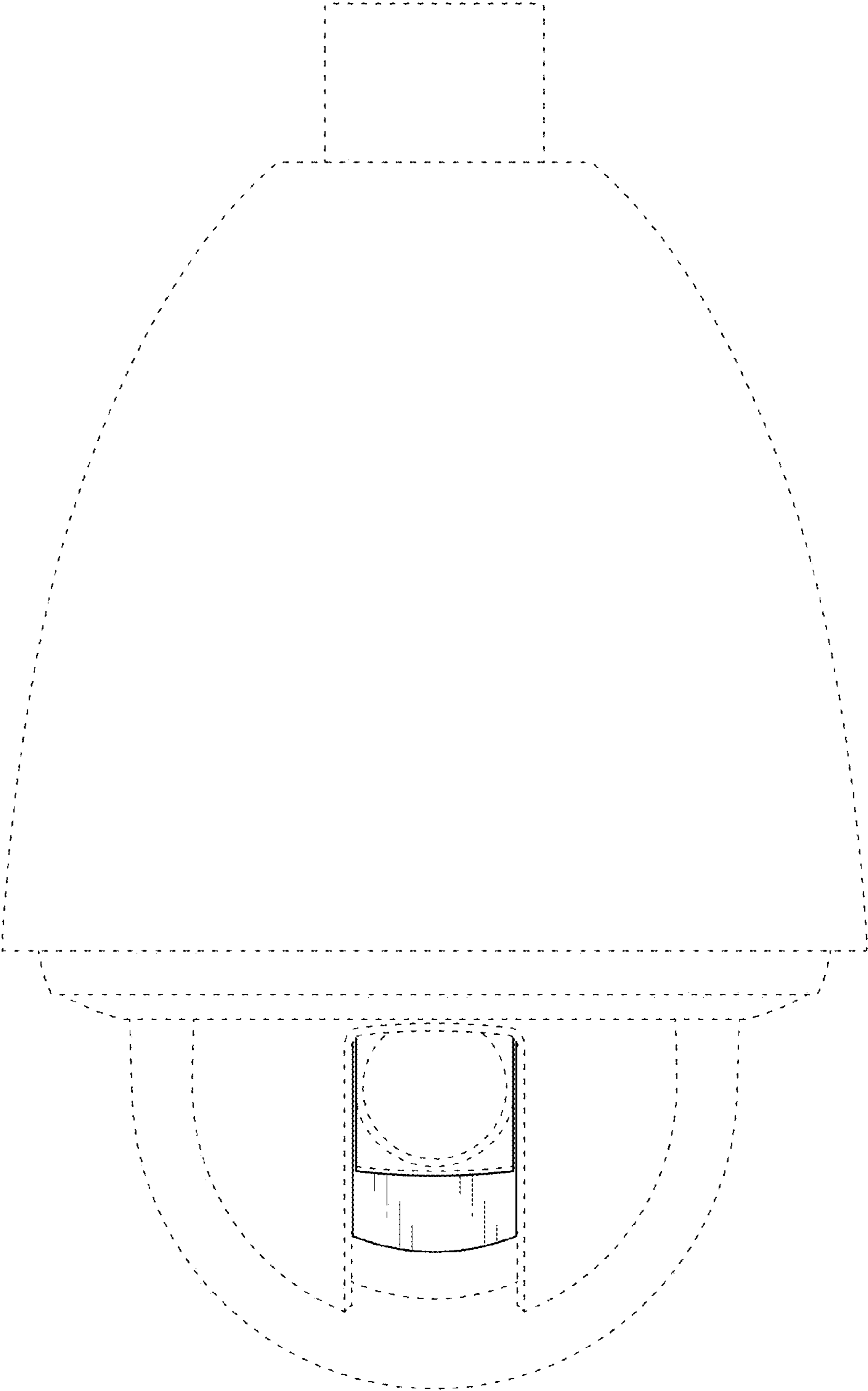


FIG.7

