



US00D743467S

(12) **United States Design Patent**  
**Bhattacharya**

(10) **Patent No.:** **US D743,467 S**

(45) **Date of Patent:** **\*\* Nov. 17, 2015**

(54) **INDOOR CAMERA**

(71) Applicant: **Vivint, Inc.**, Provo, UT (US)

(72) Inventor: **Abhijeet Bhattacharya**, Draper, UT (US)

(73) Assignee: **VIVINT, INC.**, Provo, UT (US)

(\*\*) Term: **14 Years**

(21) Appl. No.: **29/496,641**

(22) Filed: **Jul. 15, 2014**

(51) **LOC (10) Cl.** ..... **16-01**

(52) **U.S. Cl.**  
USPC ..... **D16/214; D16/203**

(58) **Field of Classification Search**  
USPC ..... D16/200, 202–205, 208, 214, 218, 219,  
D16/242; 348/14.01–14.06, 143, 148, 151,  
348/373–376; 396/419, 427, 535, 539–541  
CPC ..... G03B 17/02; G03B 19/04; G03B 17/56;  
G03B 17/04; G03B 15/03; H04N 5/2251;  
H04N 5/2252; H04N 5/2253; H04N 5/2254;  
H04N 2007/145; H04N 7/141; H04N 7/142;  
H04N 7/147; H04N 7/148; H04N 7/15;  
H04N 7/152

See application file for complete search history.

(56) **References Cited**

**U.S. PATENT DOCUMENTS**

D228,578 S *	10/1973	Glaros	.....	D16/214
D396,869 S *	8/1998	Yamakawa et al.	.....	D16/202
D447,758 S *	9/2001	Lin et al.	.....	D16/202
D534,938 S *	1/2007	Beasley et al.	.....	D16/208
7,202,903 B2 *	4/2007	Lin et al.	.....	348/373
D575,316 S *	8/2008	Liu et al.	.....	D16/202
D649,573 S *	11/2011	Al	.....	D16/203
D651,633 S *	1/2012	Park et al.	.....	D16/203
D680,151 S *	4/2013	Katori	.....	D16/242

D693,868 S *	11/2013	Ying	.....	D16/203
D697,119 S *	1/2014	Park et al.	.....	D16/203
D733,781 S *	7/2015	Chen	.....	D16/202
2008/0068493 A1 *	3/2008	Hida et al.	.....	348/373

\* cited by examiner

*Primary Examiner* — Adir Aronovich

*Assistant Examiner* — Ramzi Almatrahi

(74) *Attorney, Agent, or Firm* — Holland & Hart

(57) **CLAIM**

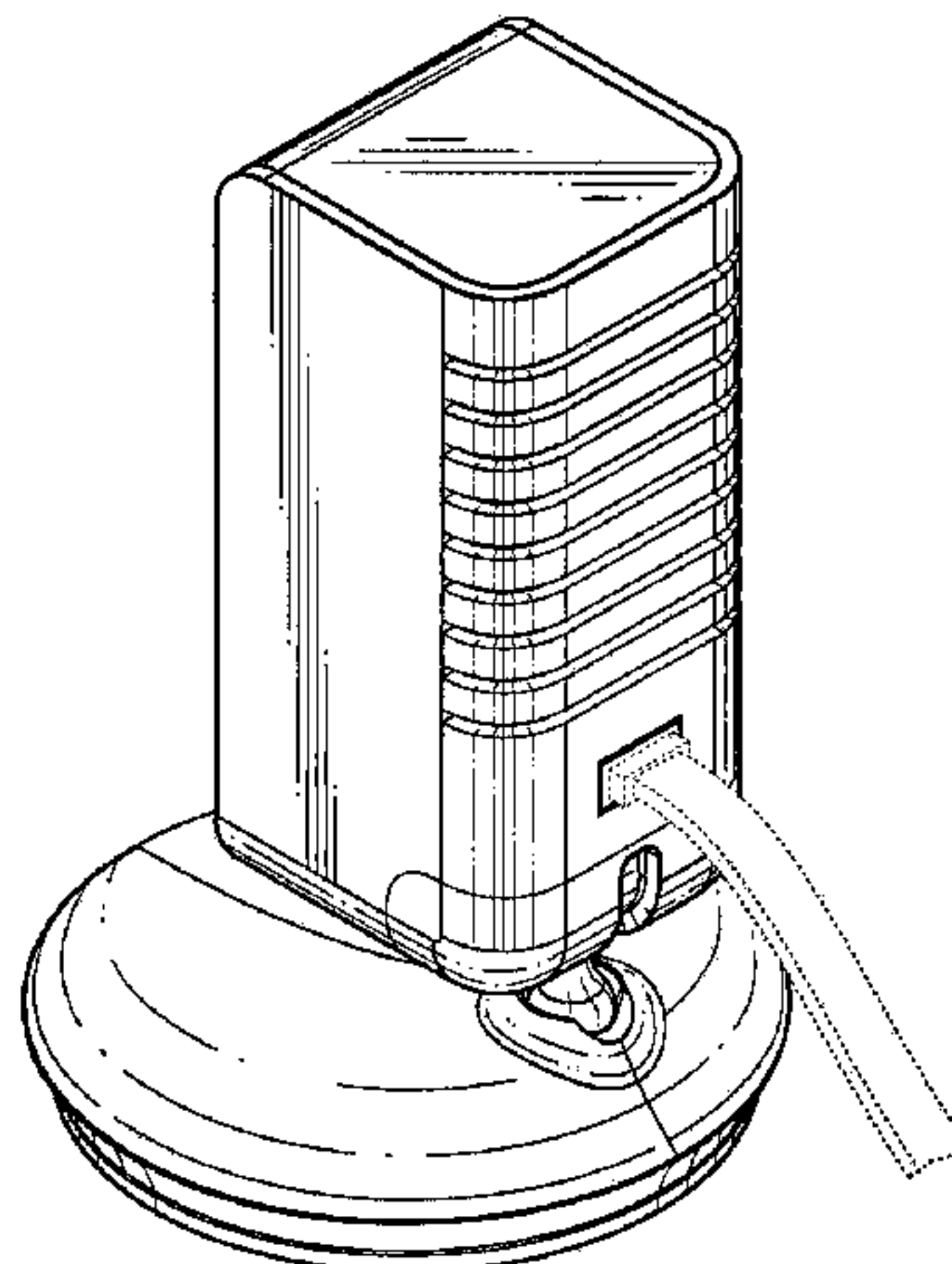
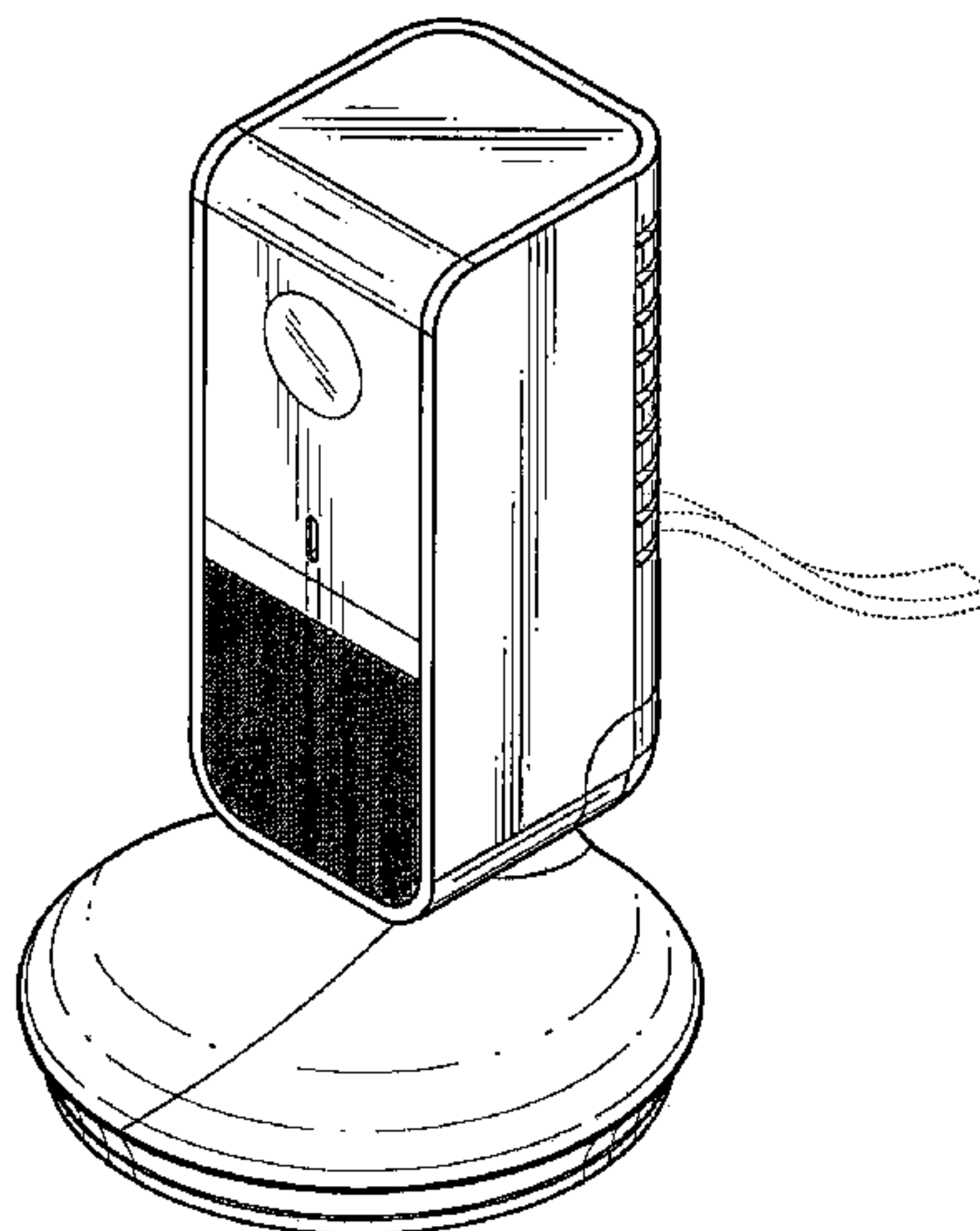
The ornamental design for an “indoor camera,” as shown and described.

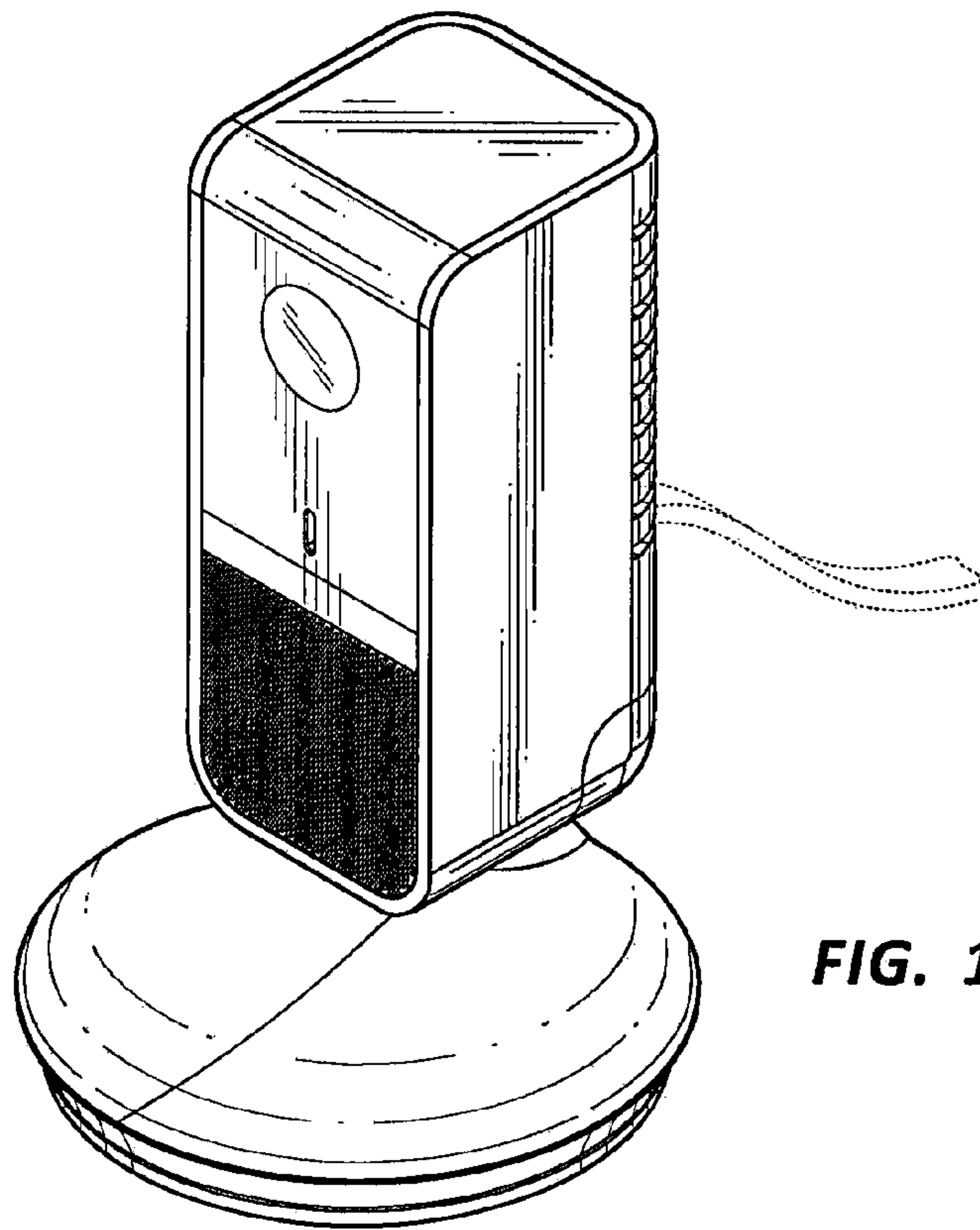
**DESCRIPTION**

FIG. 1 is a top perspective view of an indoor camera according to the present invention;  
 FIG. 2 is a rear perspective view thereof;  
 FIG. 3 is a front elevation view thereof;  
 FIG. 4 is a right side elevation view thereof;  
 FIG. 5 is a left side elevation view thereof;  
 FIG. 6 is a top plan view thereof;  
 FIG. 7 is a bottom plan view thereof;  
 FIG. 8 is a rear elevation view thereof;  
 FIG. 9 is a top perspective view of a second embodiment of an indoor camera;  
 FIG. 10 is a rear perspective view thereof;  
 FIG. 11 is a front elevation view thereof;  
 FIG. 12 is a right side elevation view thereof;  
 FIG. 13 is a left side elevation view thereof;  
 FIG. 14 is a top plan view thereof;  
 FIG. 15 is a bottom plan view thereof; and,  
 FIG. 16 is a rear elevation view thereof.

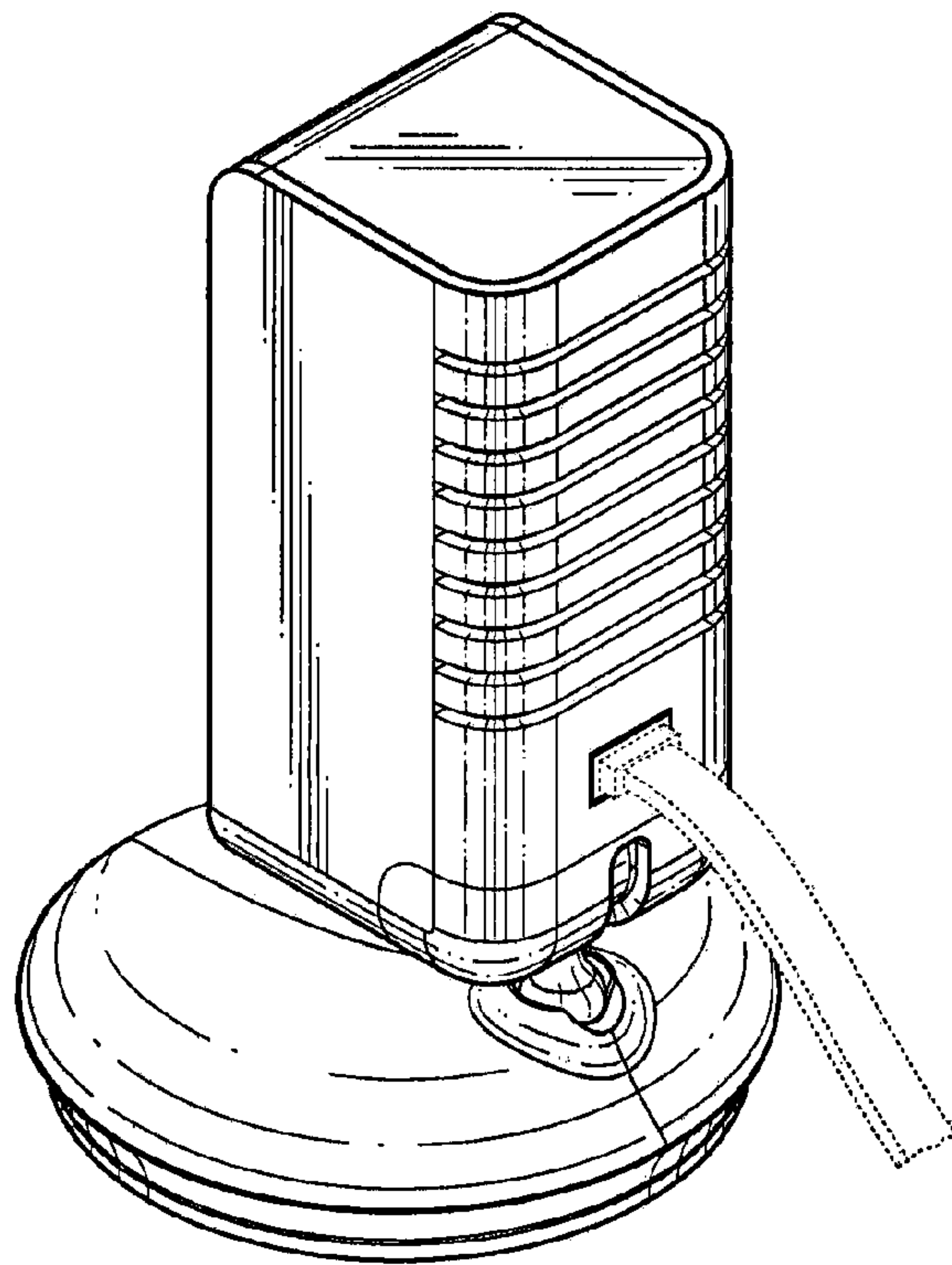
The broken line portions in the drawings are shown to illustrate environment only and form no part of the claimed design.

**1 Claim, 6 Drawing Sheets**

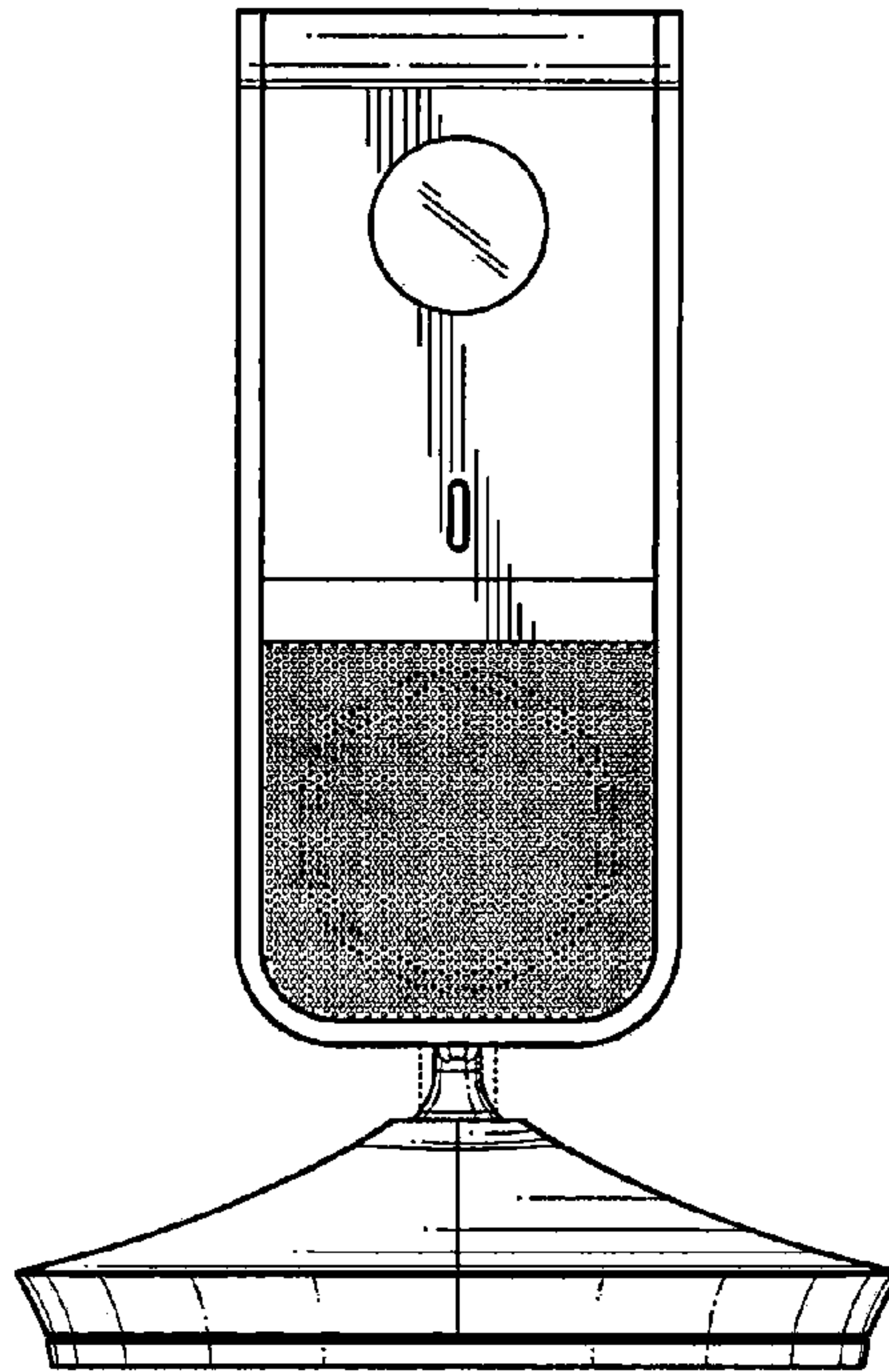




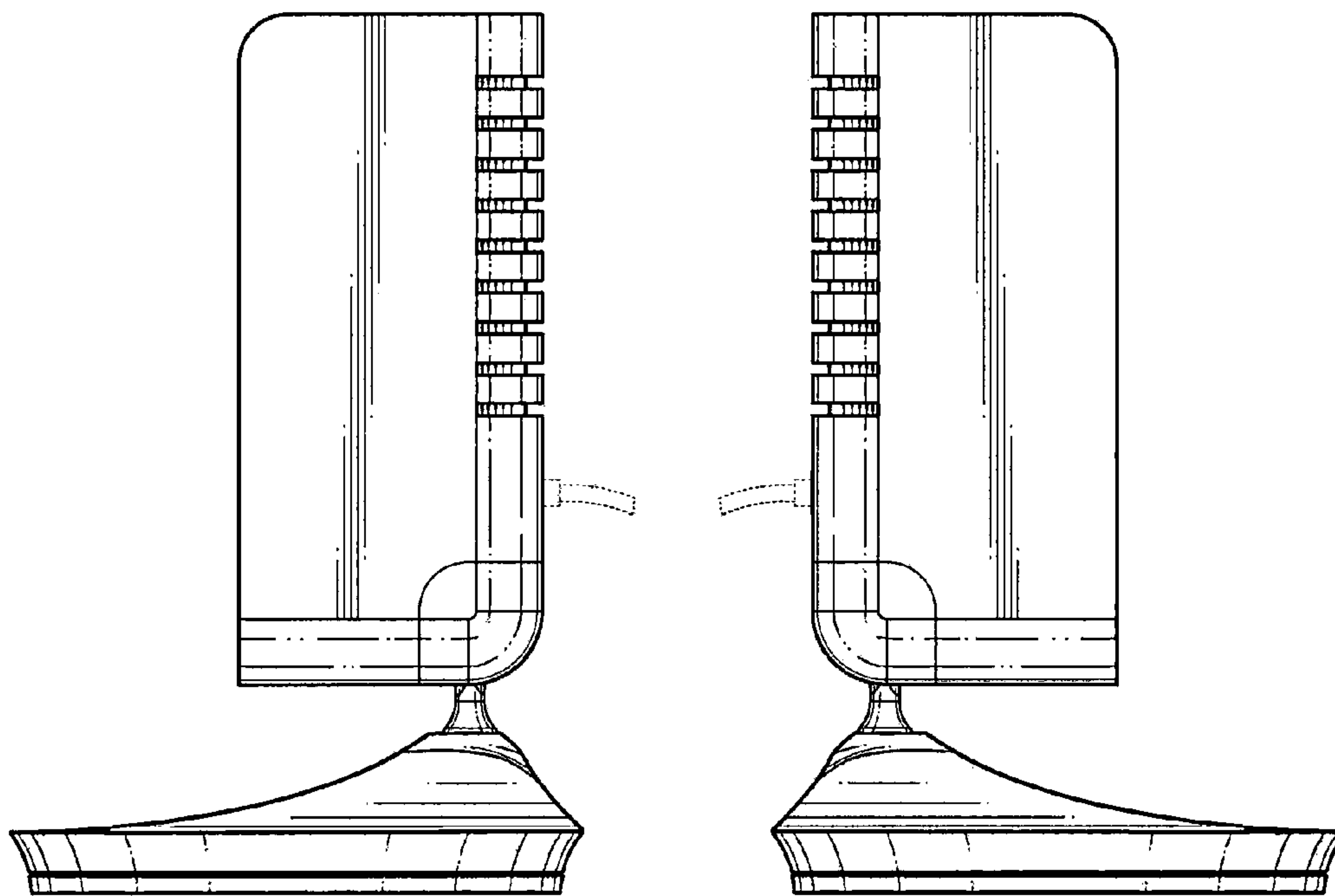
**FIG. 1**



**FIG. 2**

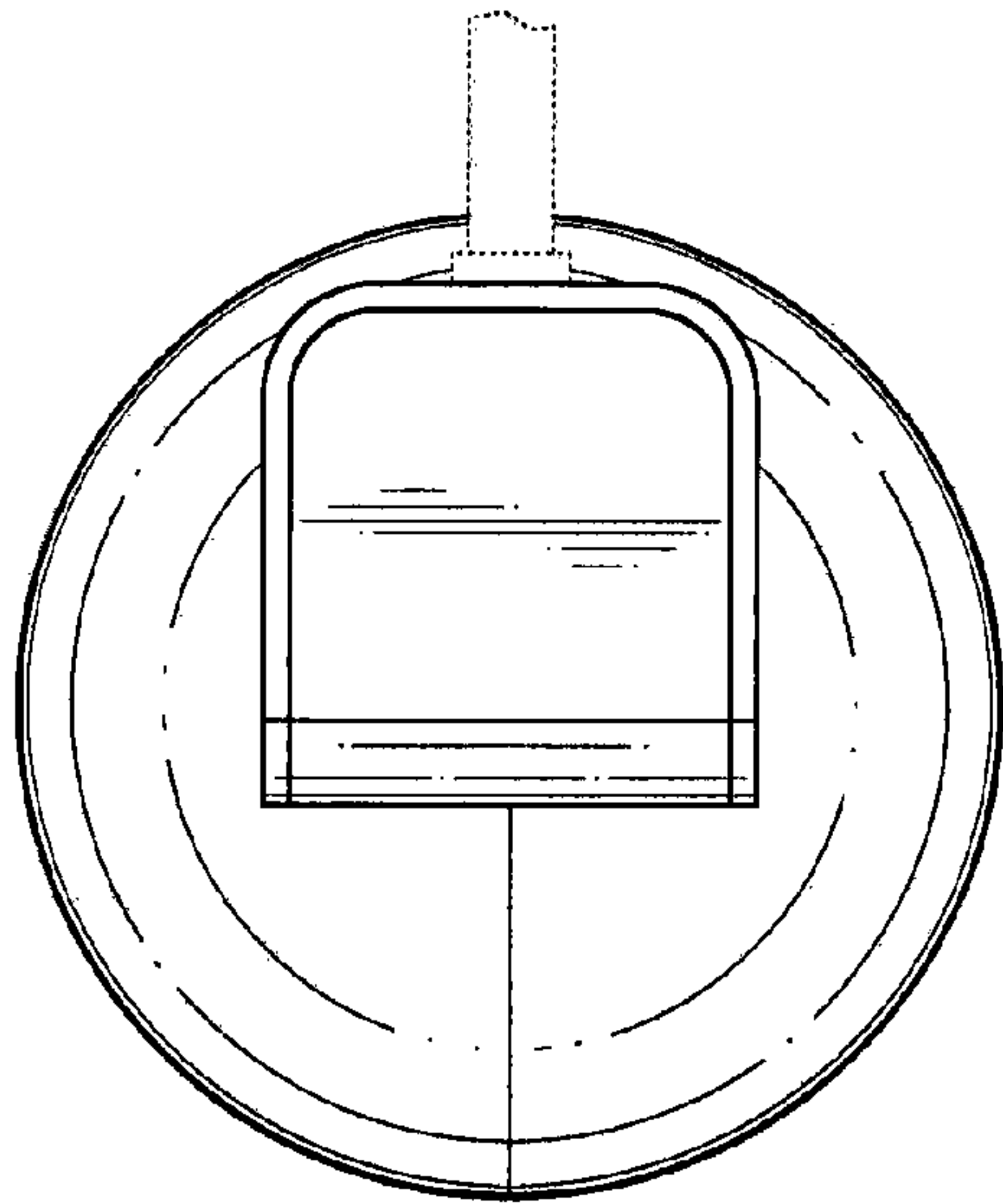


**FIG. 3**

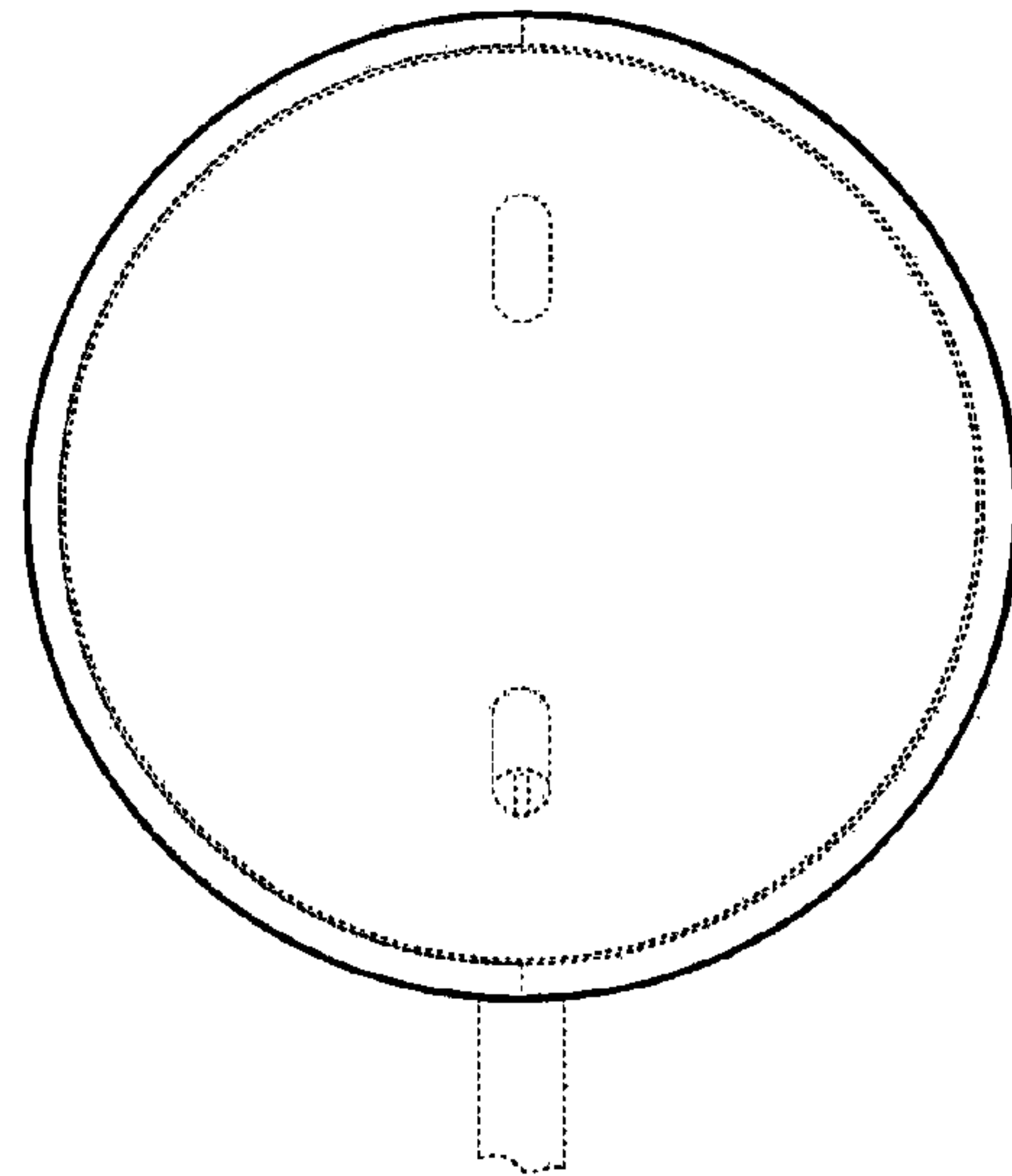


**FIG. 4**

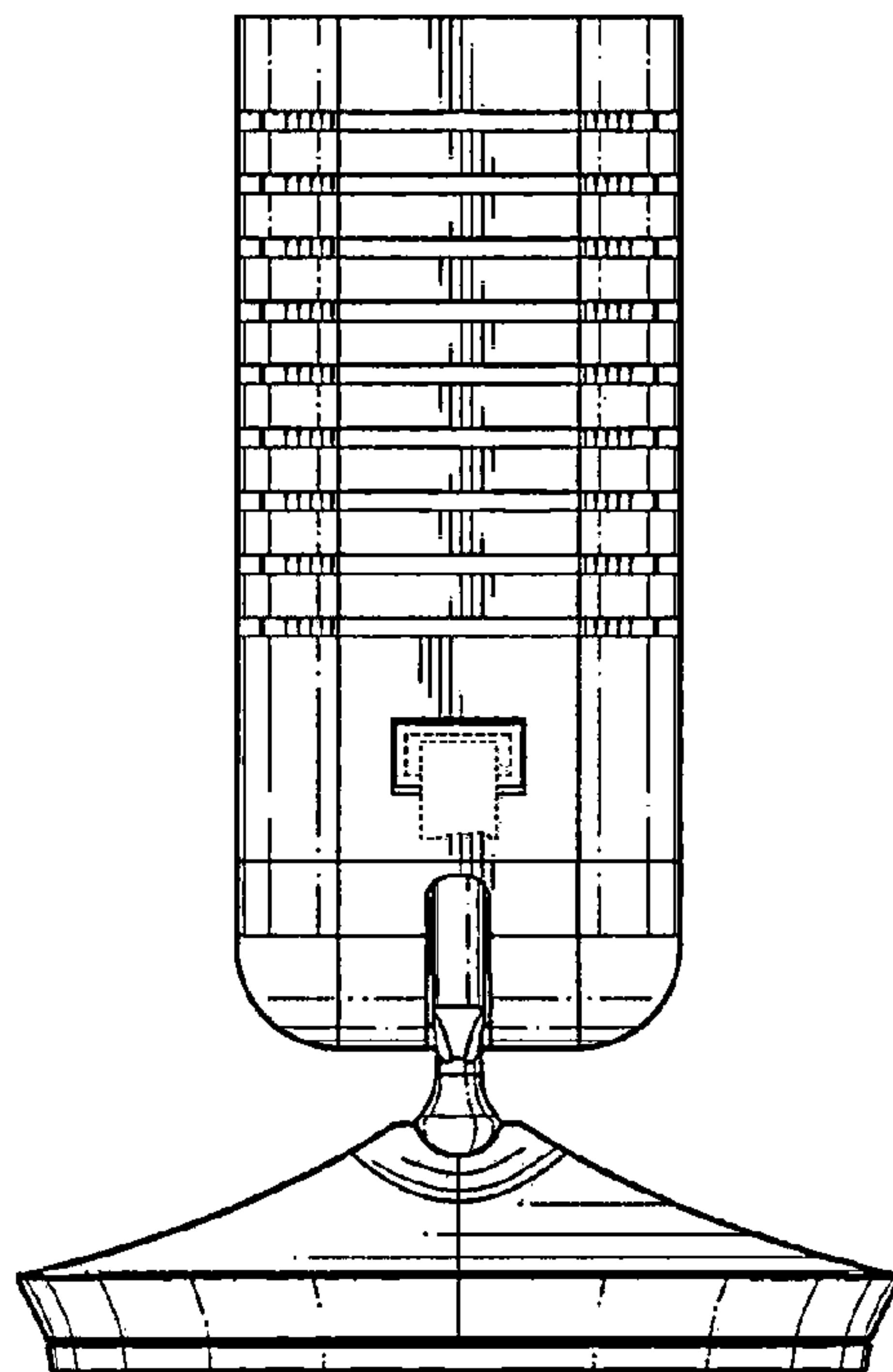
**FIG. 5**



**FIG. 6**

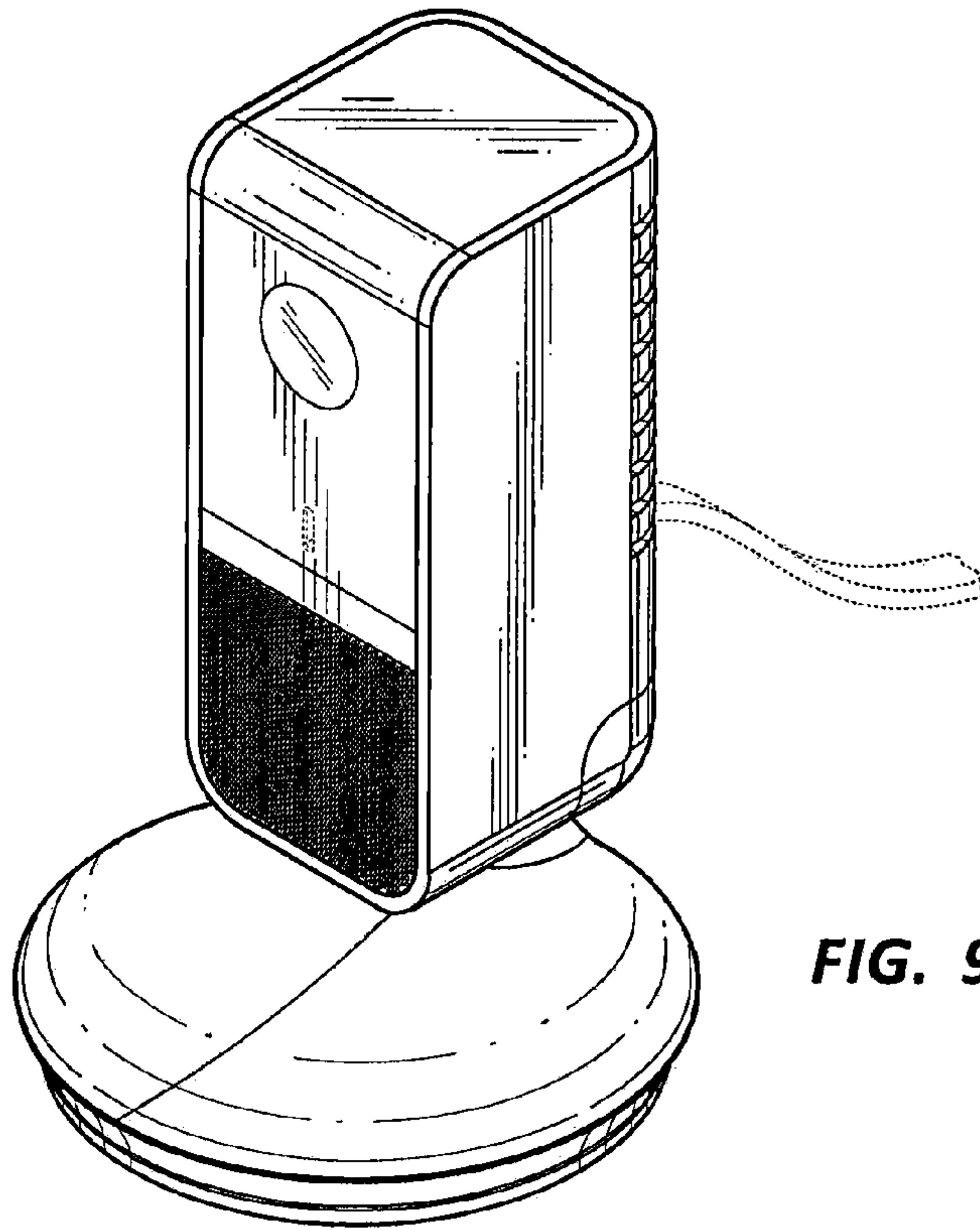


**FIG. 7**

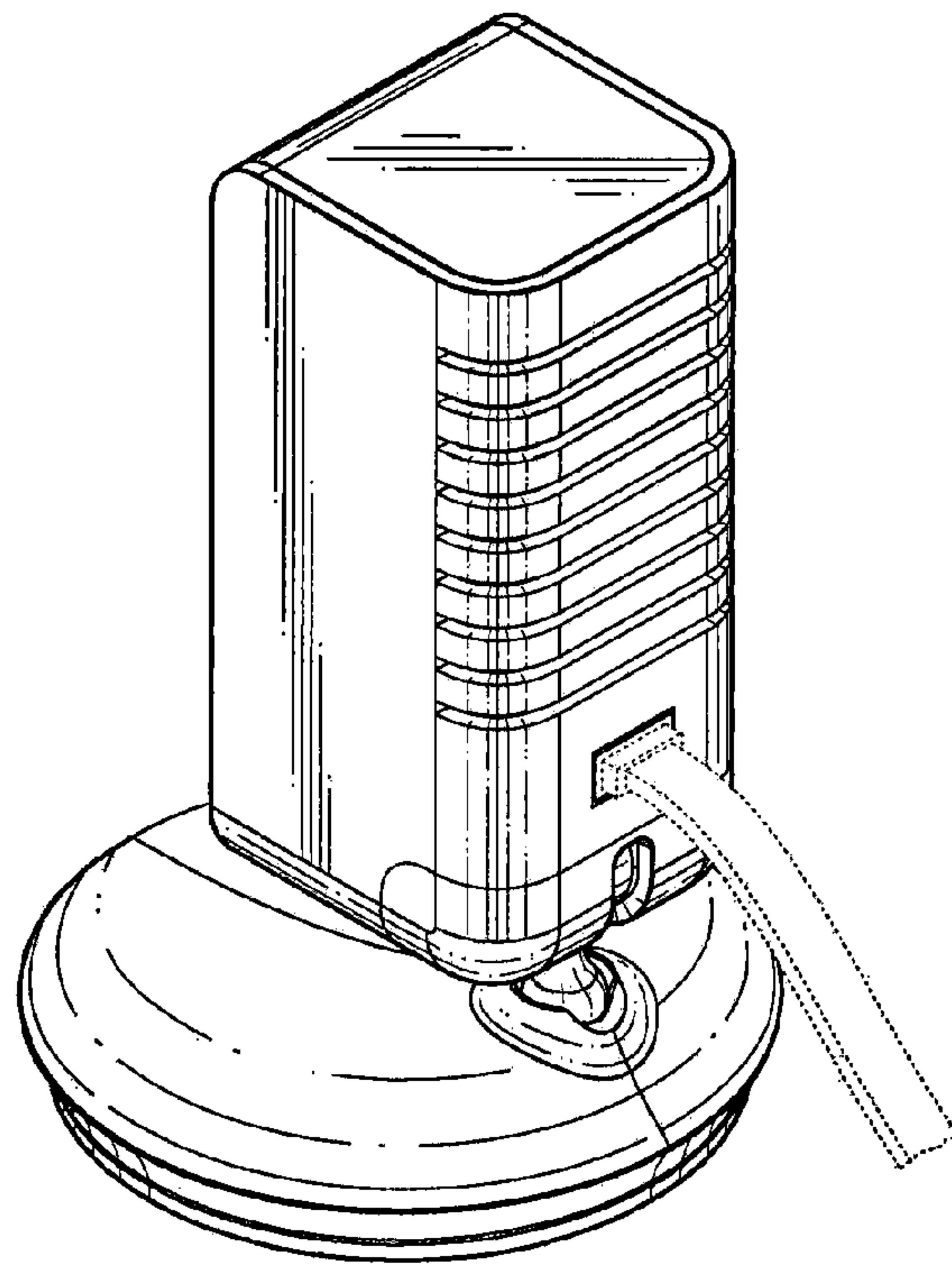


**FIG. 8**

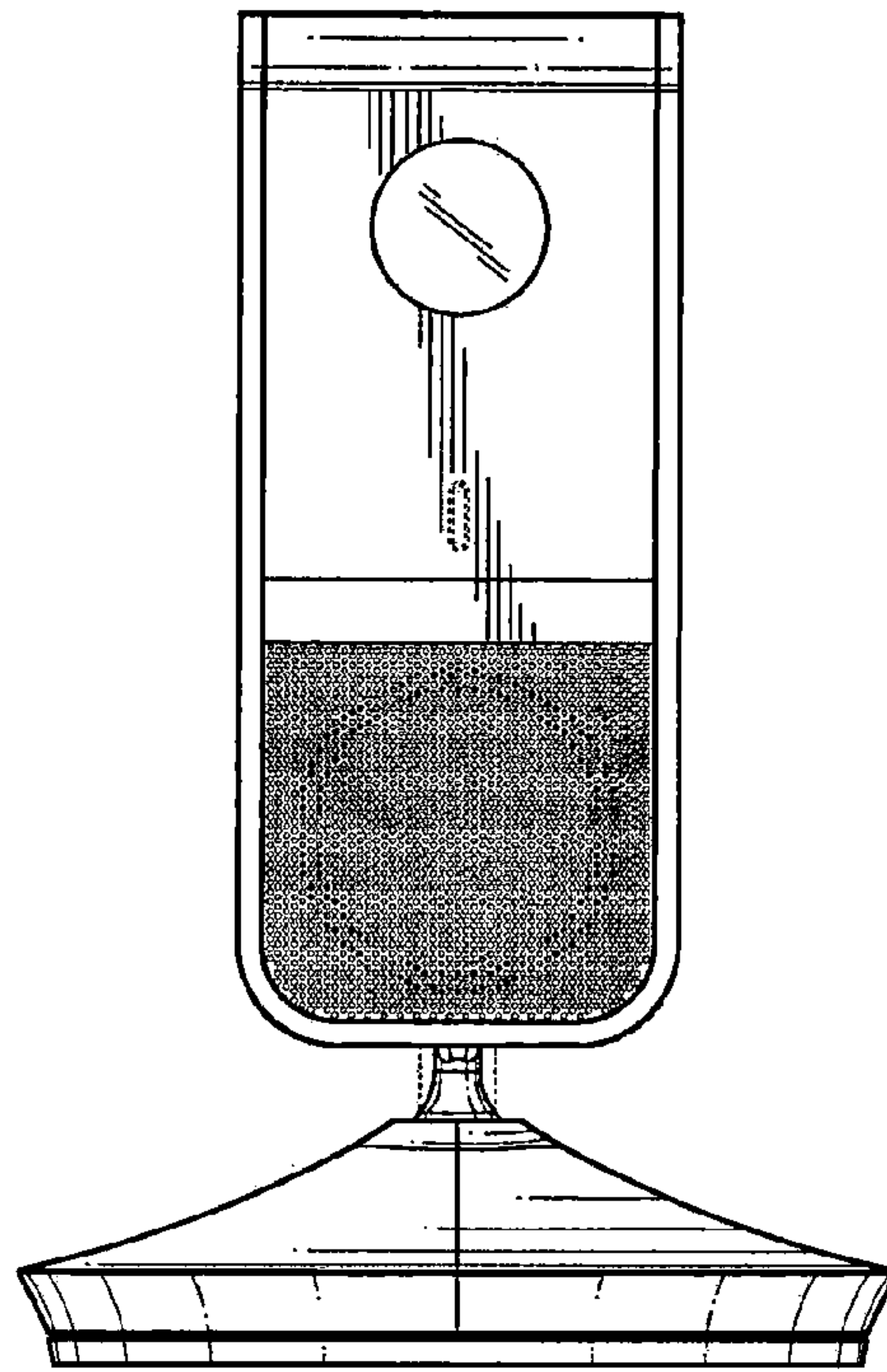




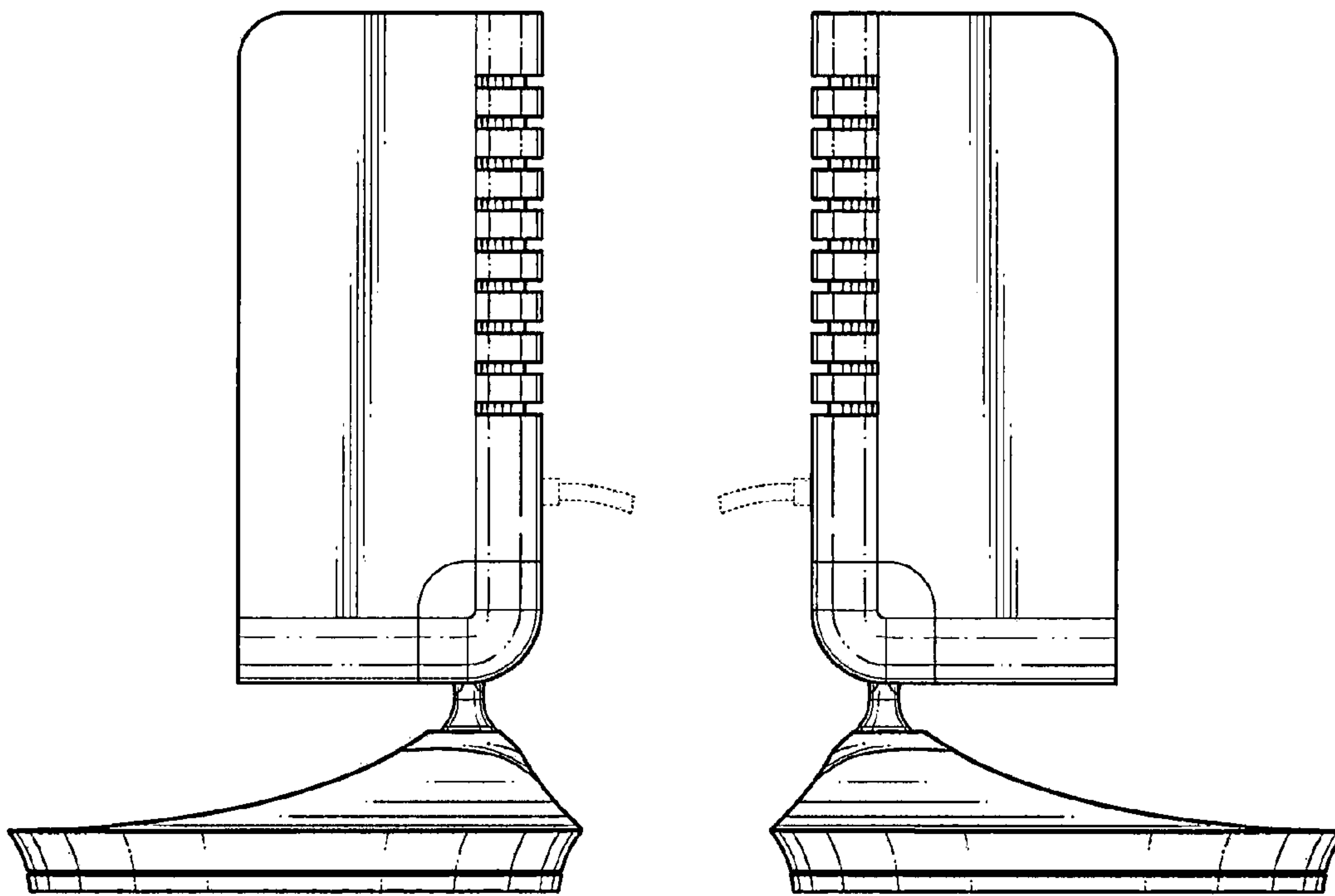
**FIG. 9**



**FIG. 10**

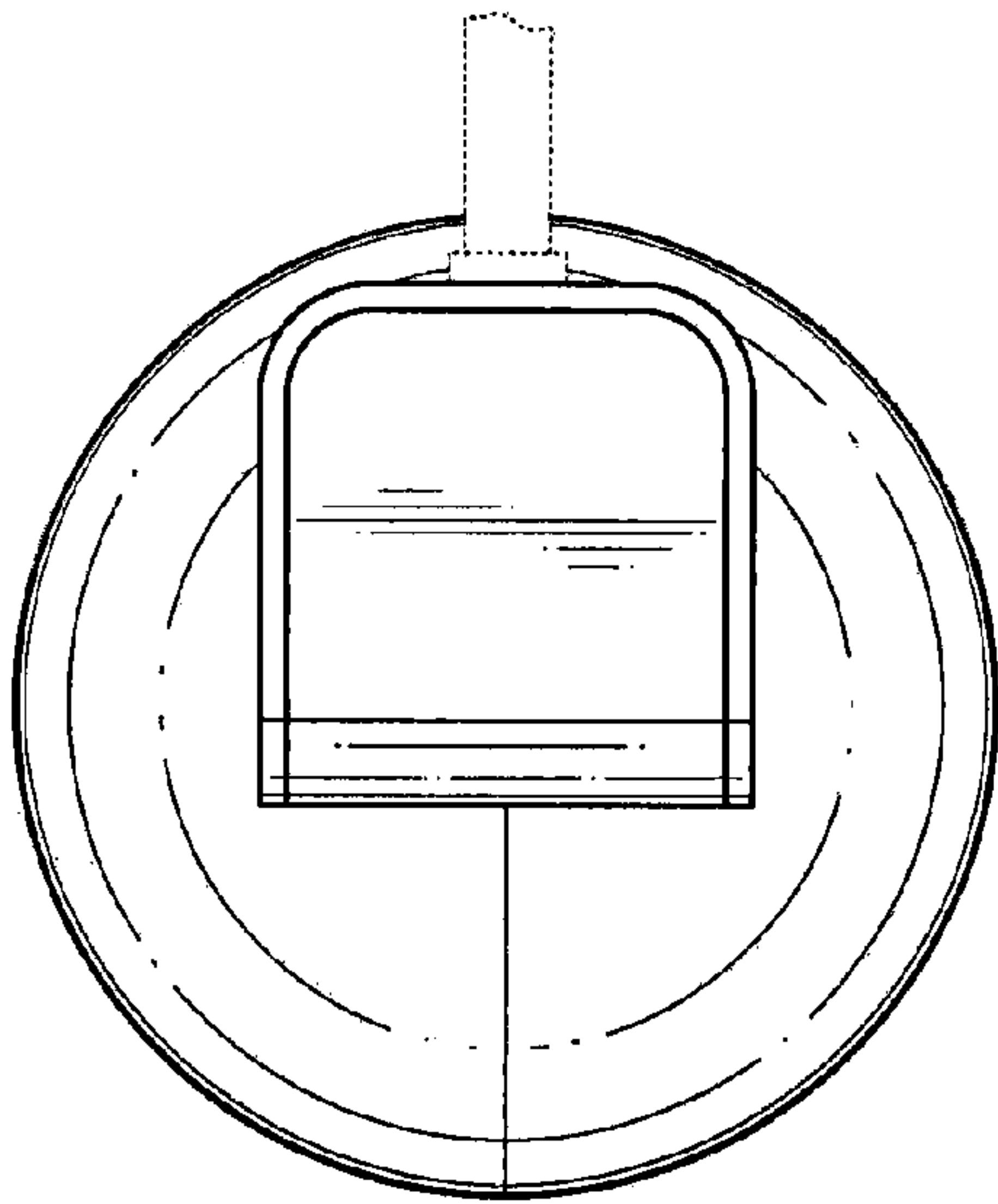


**FIG. 11**

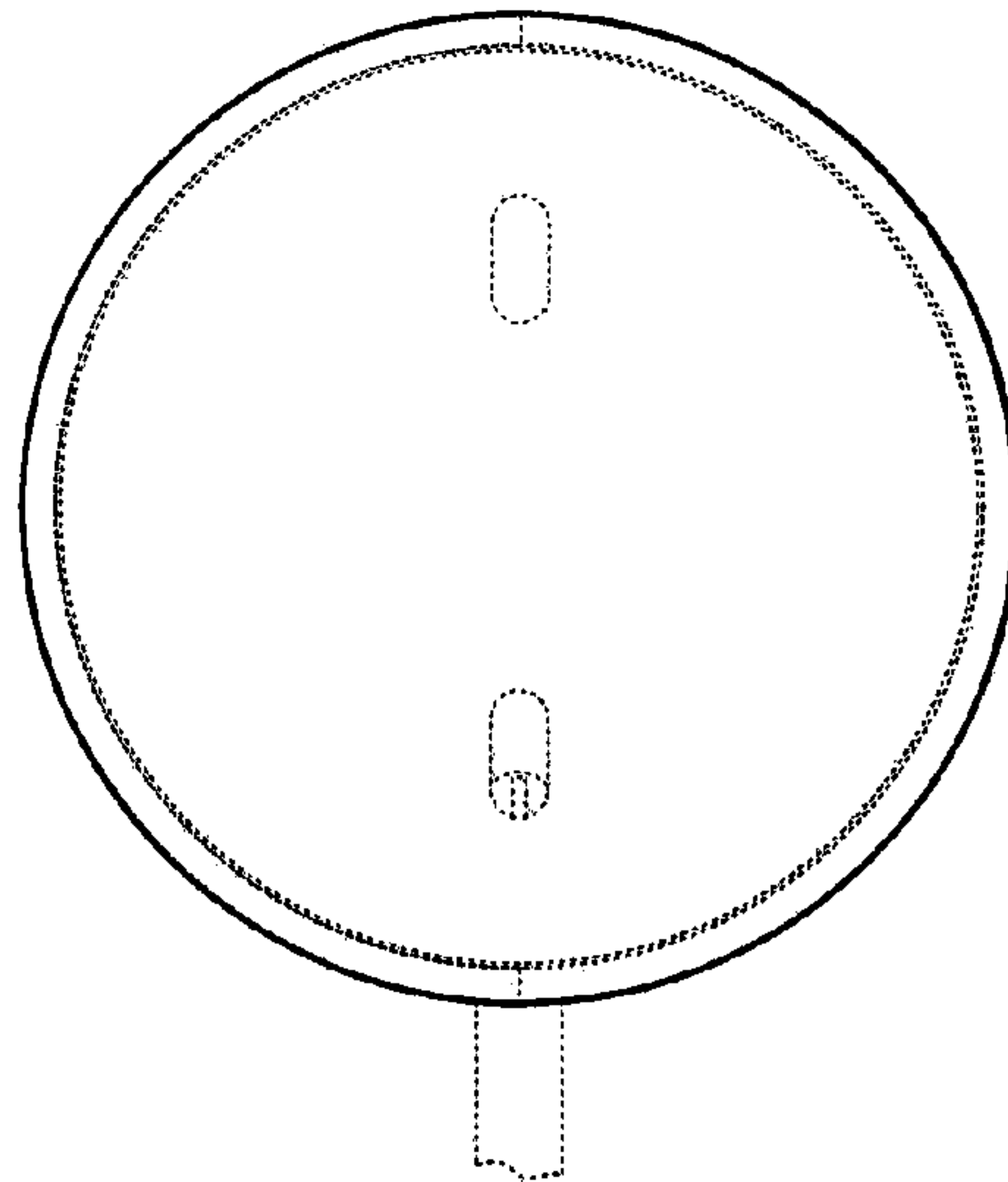


**FIG. 12**

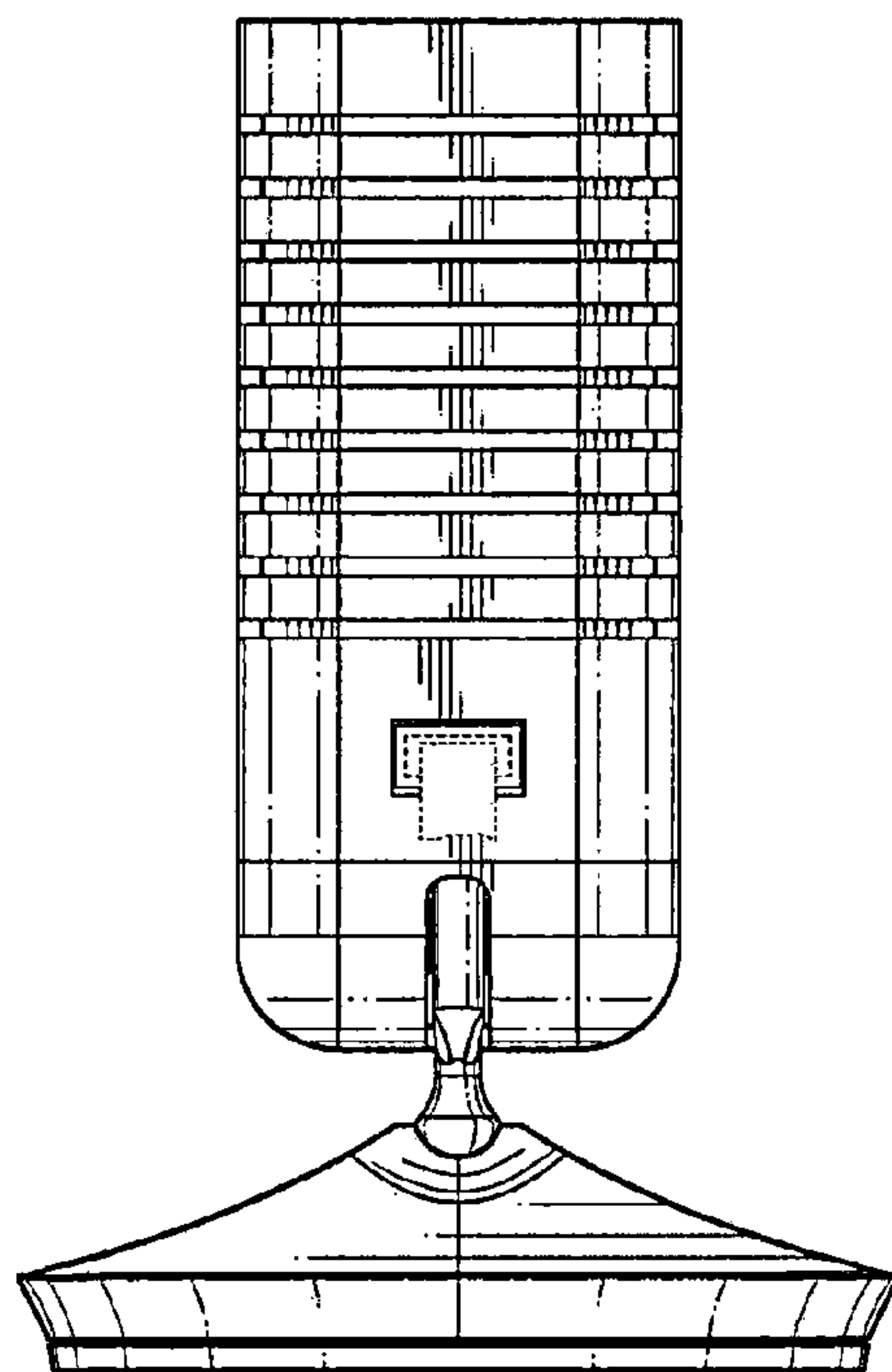
**FIG. 13**



**FIG. 14**



**FIG. 15**



**FIG. 16**