



US00D743466S

(12) **United States Design Patent**
Lammens

(10) **Patent No.:** **US D743,466 S**

(45) **Date of Patent:** **** Nov. 17, 2015**

(54) **CAMERA**

(71) Applicant: **Albert Lammens**, Kalmthout (BE)

(72) Inventor: **Albert Lammens**, Kalmthout (BE)

(**) Term: **14 Years**

(21) Appl. No.: **29/500,581**

(22) Filed: **Aug. 26, 2014**

(51) **LOC (10) Cl.** **16-01**

(52) **U.S. Cl.**
USPC **D16/203**

(58) **Field of Classification Search**
USPC D16/200, 202–206, 218; 348/373–376;
396/535, 539–541
CPC G03B 15/03; G03B 17/02; G03B 17/04;
G03B 17/56; G03B 19/04; H04N 5/2251;
H04N 5/2252; H04N 5/2253; H04N 5/2254;
H04N 2101/00

See application file for complete search history.

(56) **References Cited**

U.S. PATENT DOCUMENTS

D339,598 S * 9/1993 Shimizu D16/202
5,790,910 A * 8/1998 Haskin 396/427

D476,671 S * 7/2003 van Schaik et al. D16/203
6,830,387 B2 * 12/2004 Rife 348/374
D512,087 S * 11/2005 Kato et al. D16/203
D532,806 S * 11/2006 Cheng D16/203
D540,361 S * 4/2007 Yamakawa D16/203
D576,194 S * 9/2008 Yoshida et al. D16/203
D612,409 S * 3/2010 Deurwaarder D16/203
D642,210 S * 7/2011 Deurwaarder D16/203

* cited by examiner

Primary Examiner — Adir Aronovich

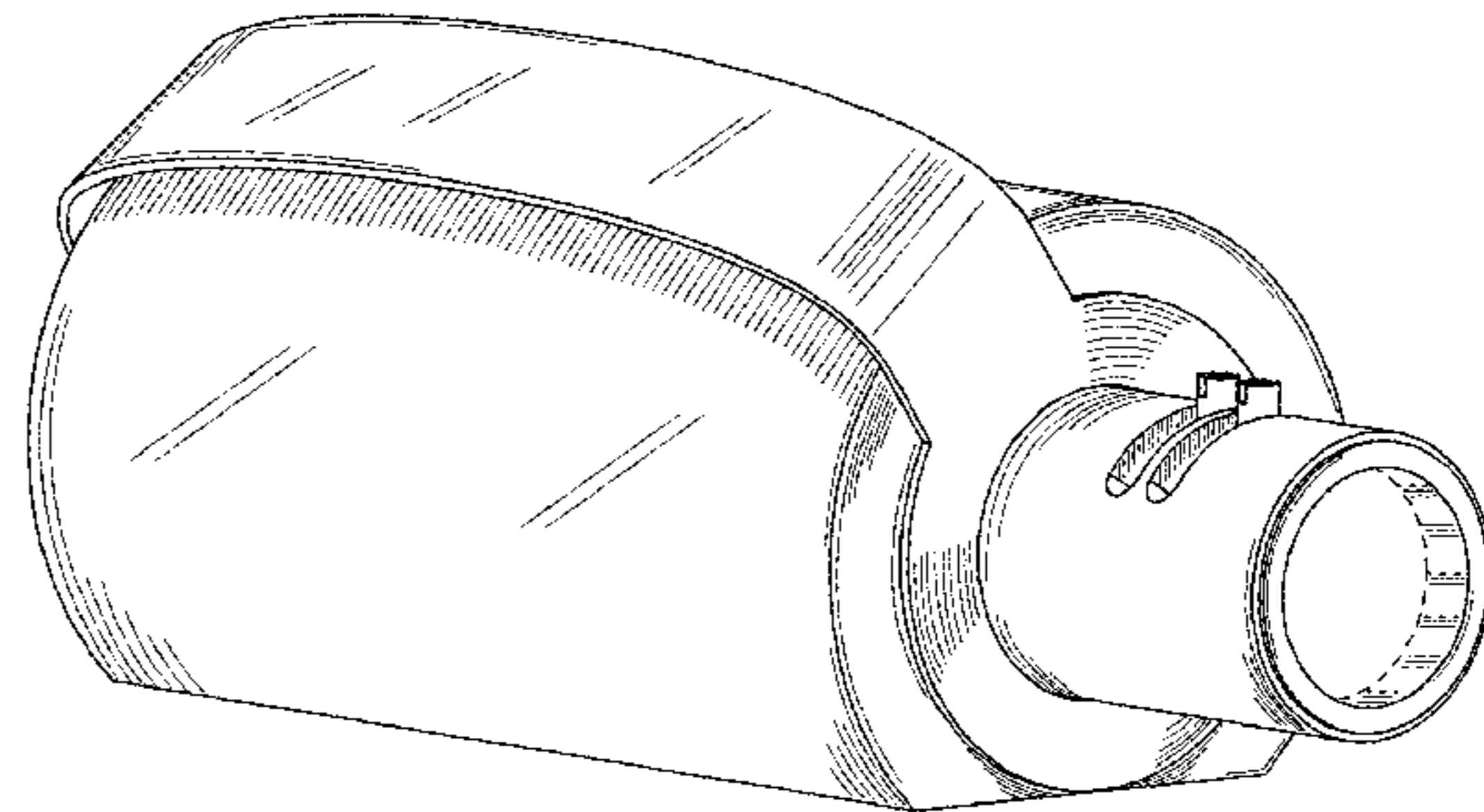
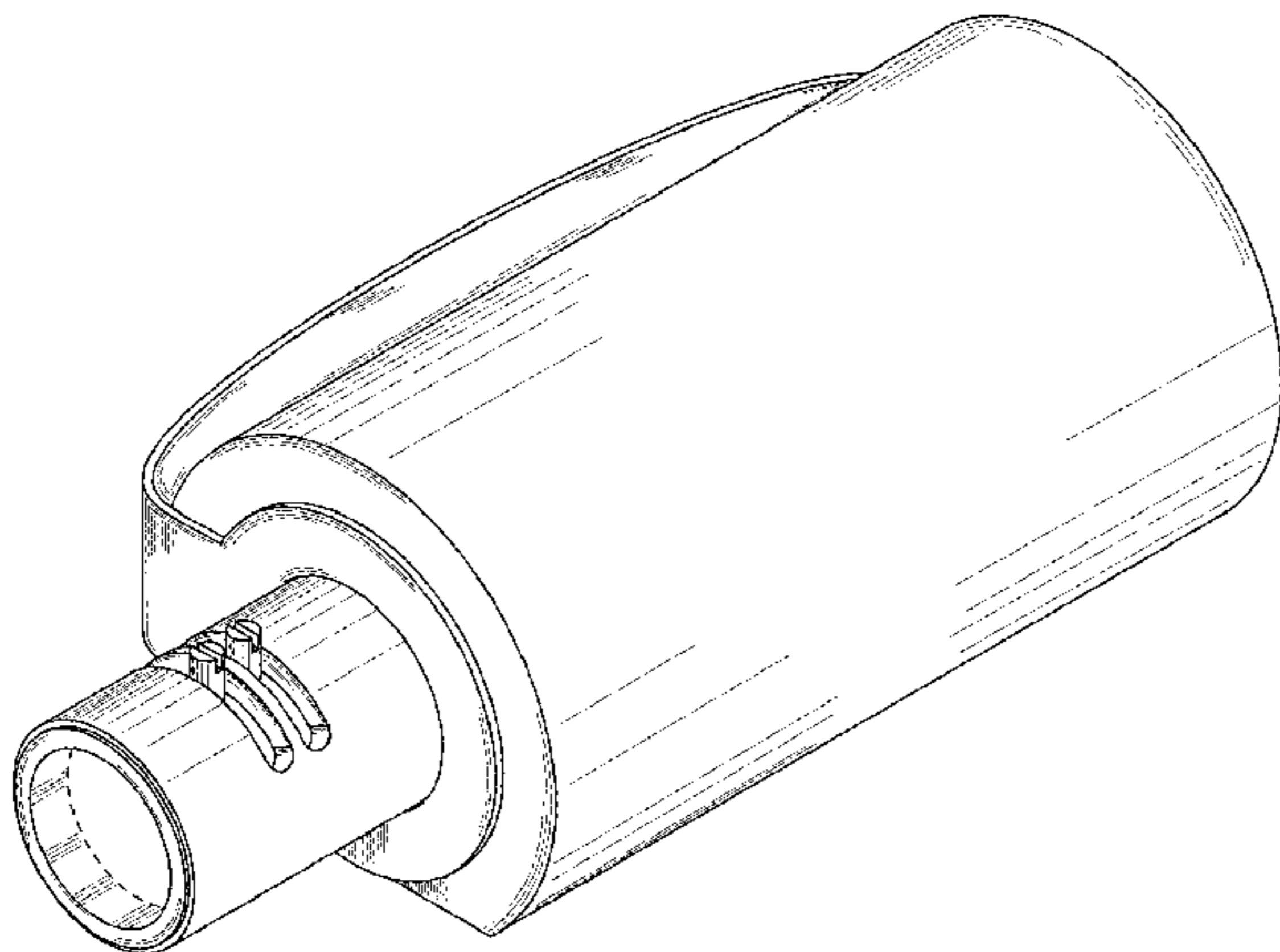
(57) **CLAIM**

The ornamental design for a camera, as shown and described.

DESCRIPTION

FIG. 1 is a front and right side perspective view of a camera showing my new design;
FIG. 2 is a front elevational view thereof;
FIG. 3 is a rear elevational view thereof;
FIG. 4 is a right side elevational view thereof;
FIG. 5 is a left side elevational view thereof;
FIG. 6 is a top plan view thereof;
FIG. 7 is a bottom plan view thereof; and,
FIG. 8 is a front and left side perspective view thereof.
The broken line showing lens is included for the purpose of illustrating environmental structure and forms no part of the claimed design.

1 Claim, 8 Drawing Sheets



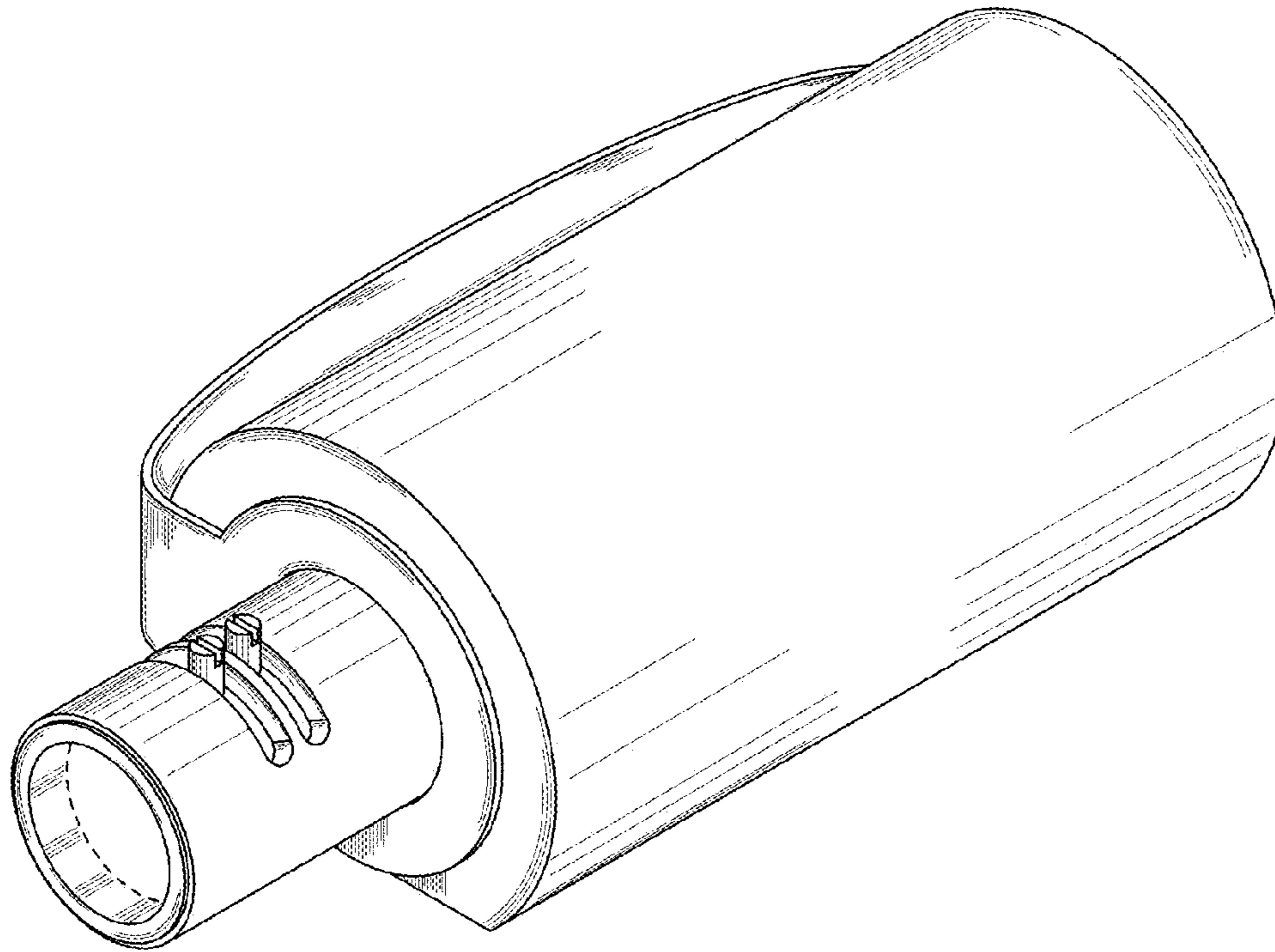


FIG. 1

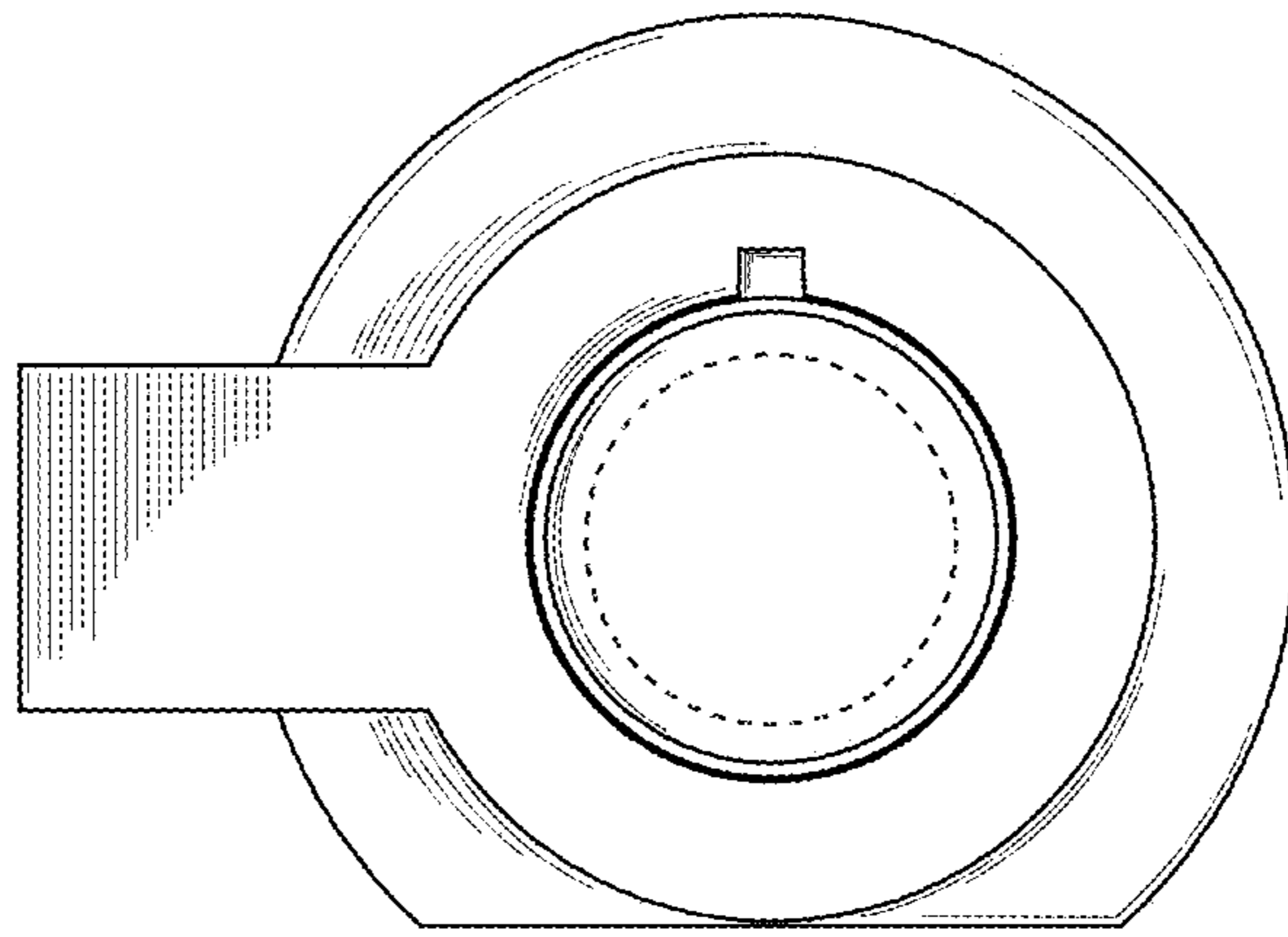


FIG. 2

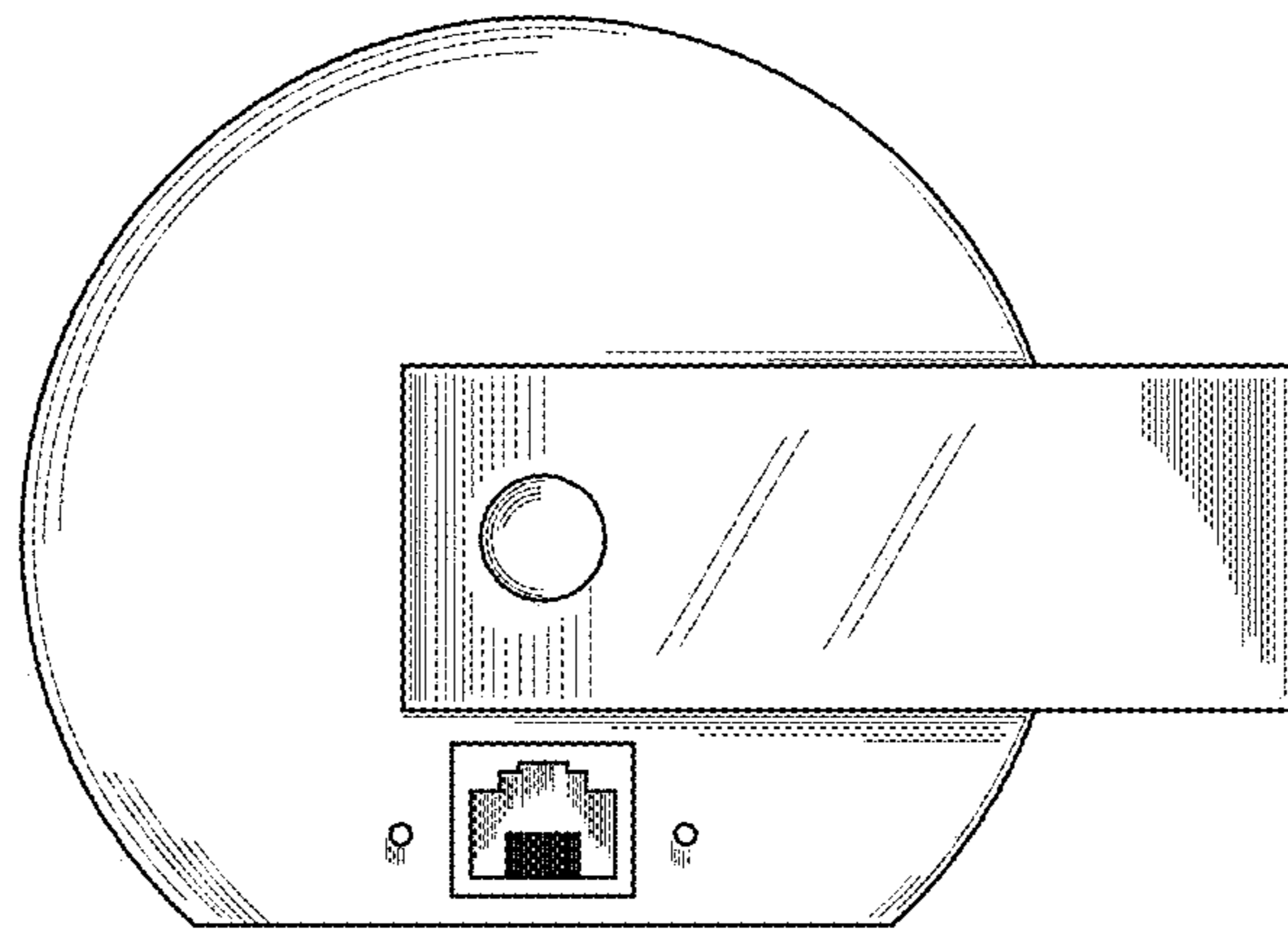


FIG. 3

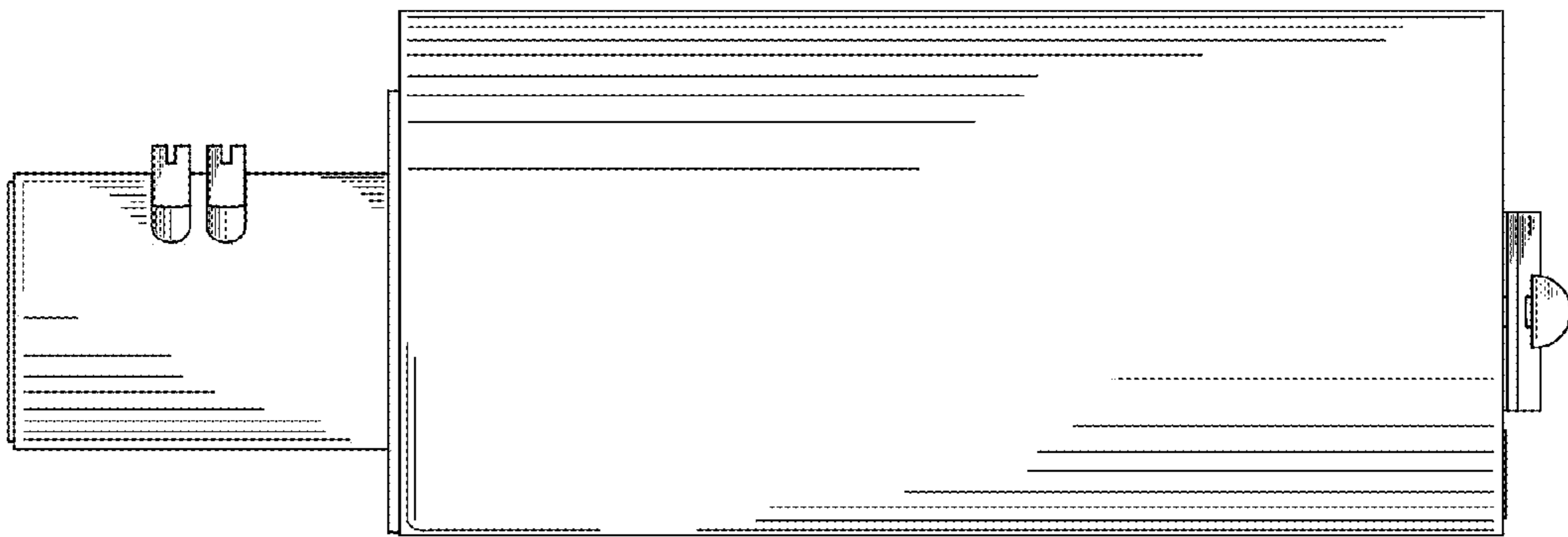


FIG. 4

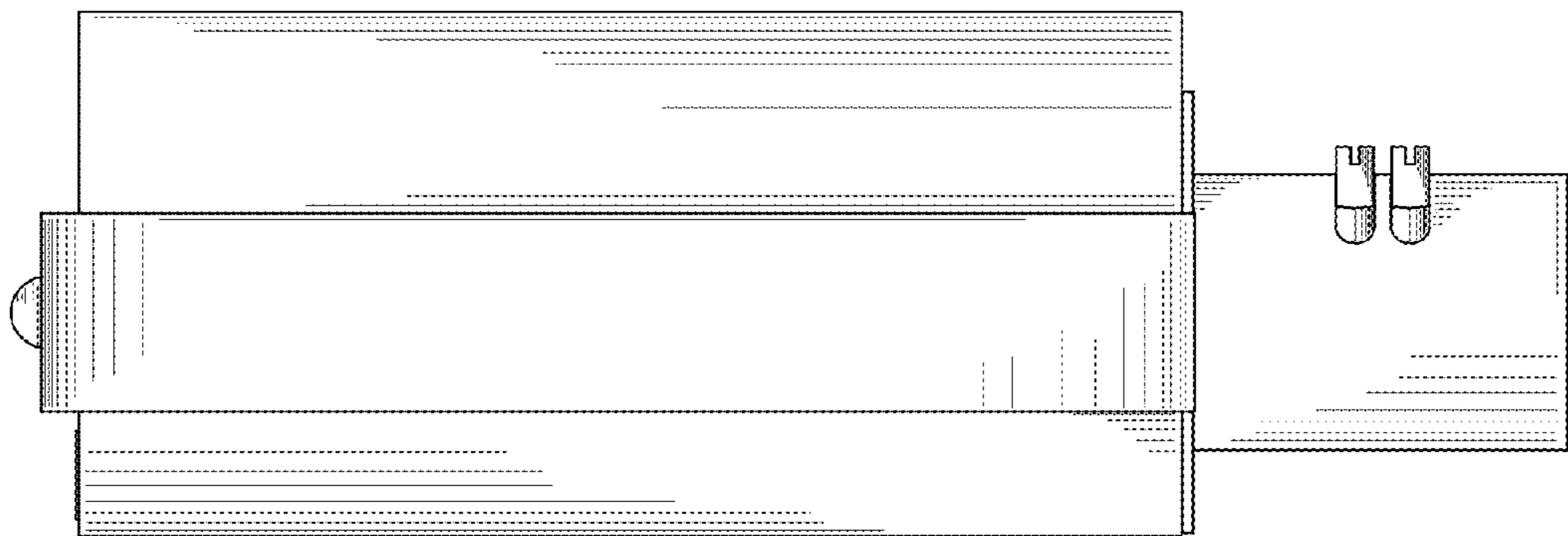


FIG. 5

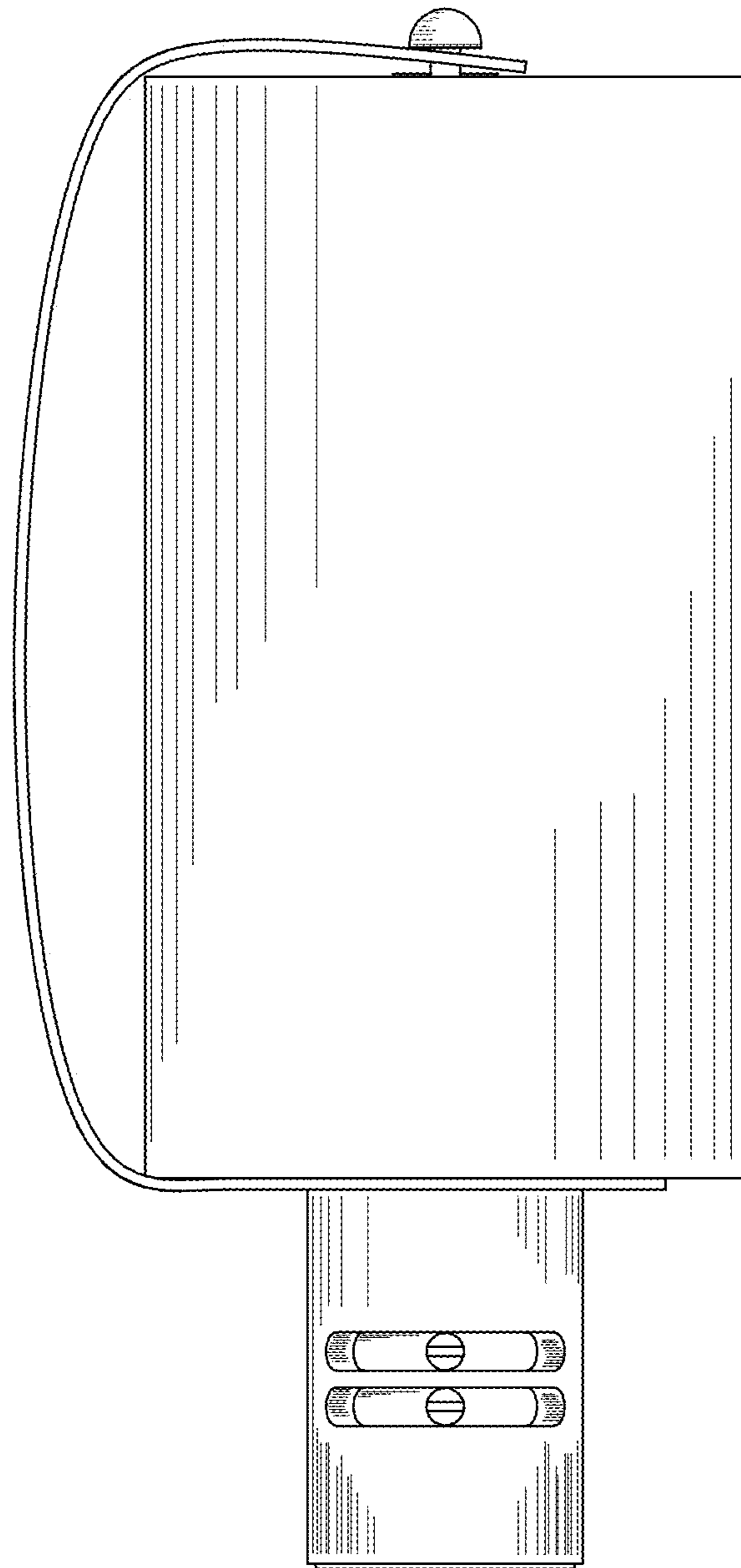


FIG. 6

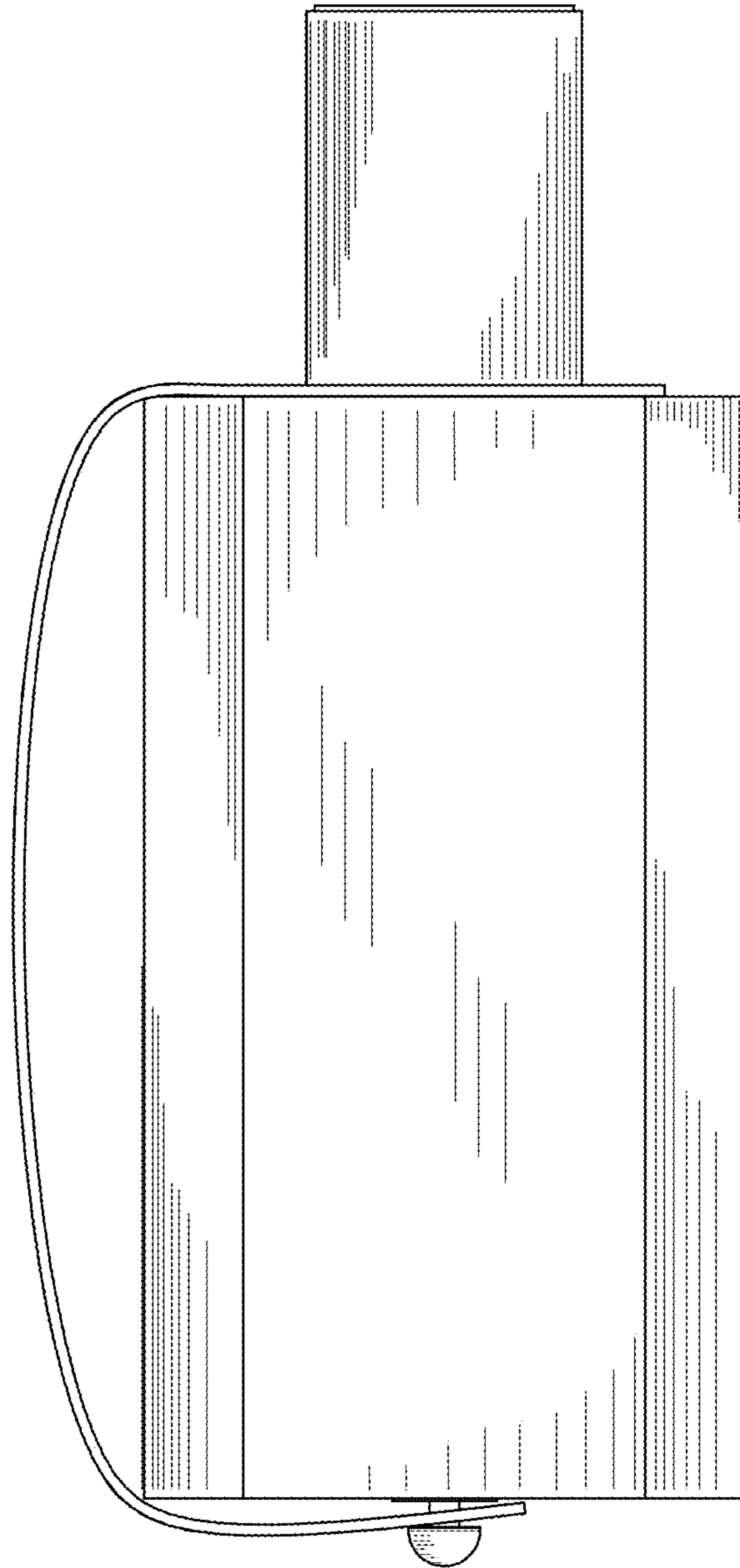


FIG. 7

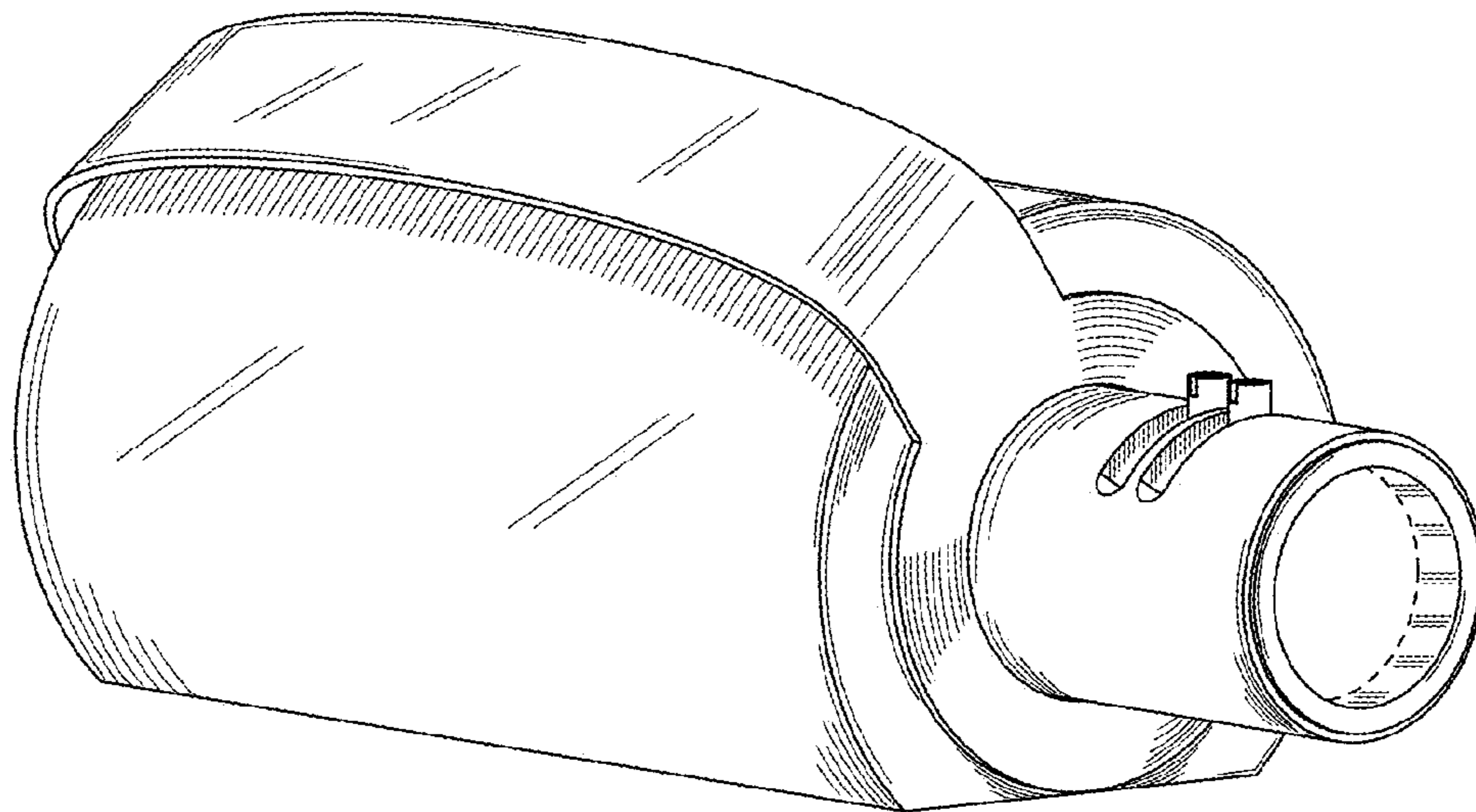


FIG. 8