



US00D743465S

(12) **United States Design Patent**  
**Aglassinger et al.**

(10) **Patent No.:** **US D743,465 S**

(45) **Date of Patent:** **\*\* Nov. 17, 2015**

(54) **CAMERA**

(71) Applicant: **Robert Bosch GmbH**, Stuttgart (DE)

(72) Inventors: **Hans-Peter Aglassinger**, Esslingen (DE); **Ulrich Warth**, Stuttgart (DE); **Jakub Jan Dzierzak**, PH Capelle aan den Ijssel (NL)

(73) Assignee: **Robert Bosch GmbH**, Stuttgart (DE)

(\*\*) Term: **14 Years**

(21) Appl. No.: **29/497,477**

(22) Filed: **Jul. 24, 2014**

(30) **Foreign Application Priority Data**

Jan. 27, 2014 (EM) ..... 002392480

(51) **LOC (10) Cl.** ..... **16-01**

(52) **U.S. Cl.**  
USPC ..... **D16/203**

(58) **Field of Classification Search**

USPC ..... D16/200, 202–206, 218, 219, 242;  
D10/106.2, 106.3, 106.5; 348/143,  
348/148, 151, 373–376; 396/419, 427, 535,  
396/539–541  
CPC ..... G03B 17/02; G03B 19/04; G03B 17/56;  
G03B 17/04; G03B 15/03; H04N 5/2251;  
H04N 5/2252; H04N 5/2253; H04N 5/2254;  
H04N 7/181; H04N 7/183; H04N 7/18;  
G08B 13/1963; G08B 13/19619; G08B  
13/19632

See application file for complete search history.

(56) **References Cited**

**U.S. PATENT DOCUMENTS**

D422,521 S \* 4/2000 Morrow ..... D10/106.5  
6,064,430 A \* 5/2000 Lefkowitz ..... 348/151

6,802,656 B2 \* 10/2004 Arbuckle ..... 396/427  
D621,287 S \* 8/2010 Kaneko et al. .... D10/106.5  
D679,309 S \* 4/2013 Park et al. .... D16/218  
D694,305 S \* 11/2013 Katori et al. .... D16/203  
D694,306 S \* 11/2013 Katori et al. .... D16/203  
D703,566 S \* 4/2014 Chen et al. .... D10/106.5  
D715,171 S \* 10/2014 Brigham et al. .... D10/106.5  
D719,994 S \* 12/2014 Wang et al. .... D16/203  
D721,755 S \* 1/2015 Ahman et al. .... D16/203  
D729,859 S \* 5/2015 Shin et al. .... D16/203  
2014/0301729 A1 \* 10/2014 Okamura et al. .... 396/427

\* cited by examiner

*Primary Examiner* — Adir Aronovich

*Assistant Examiner* — Ramzi Almatrahi

(74) *Attorney, Agent, or Firm* — Maginot, Moore & Beck LLP

(57) **CLAIM**

The ornamental design for a camera, as shown and described.

**DESCRIPTION**

FIG. 1 is a perspective view of a camera showing our new design;

FIG. 2 is a right side elevational view showing the design for the camera of FIG. 1;

FIG. 3 is a left side elevational view showing the design for the camera of FIG. 1;

FIG. 4 is a front elevational view showing the design for the camera of FIG. 1;

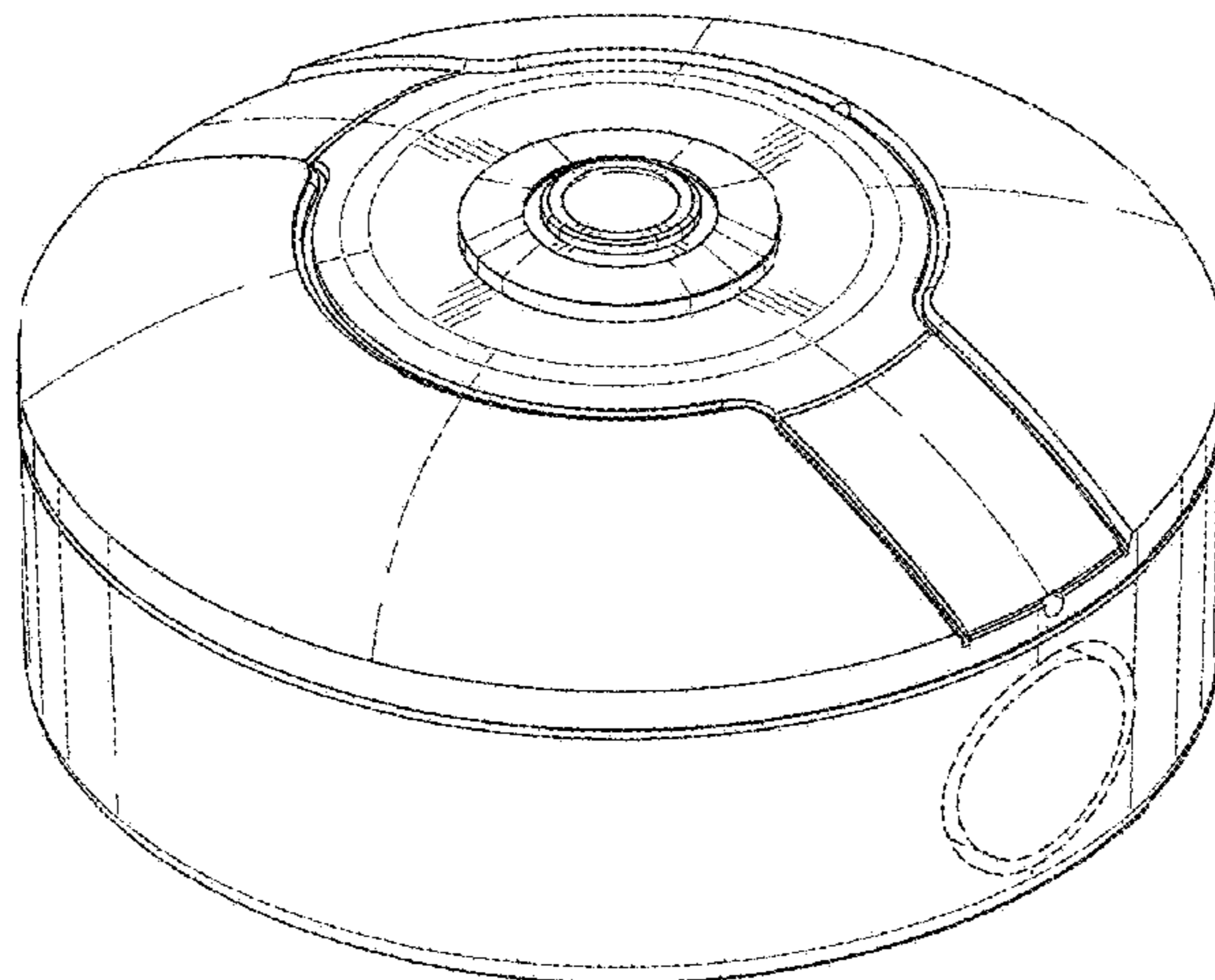
FIG. 5 is a rear elevational view showing the design for the camera of FIG. 1;

FIG. 6 is a top plan view showing the design for the camera of FIG. 1; and,

FIG. 7 is a bottom plan view showing the design for the camera of FIG. 1.

The broken line shown in the drawings illustrate portions of the camera that form no part of the claimed design.

**1 Claim, 7 Drawing Sheets**



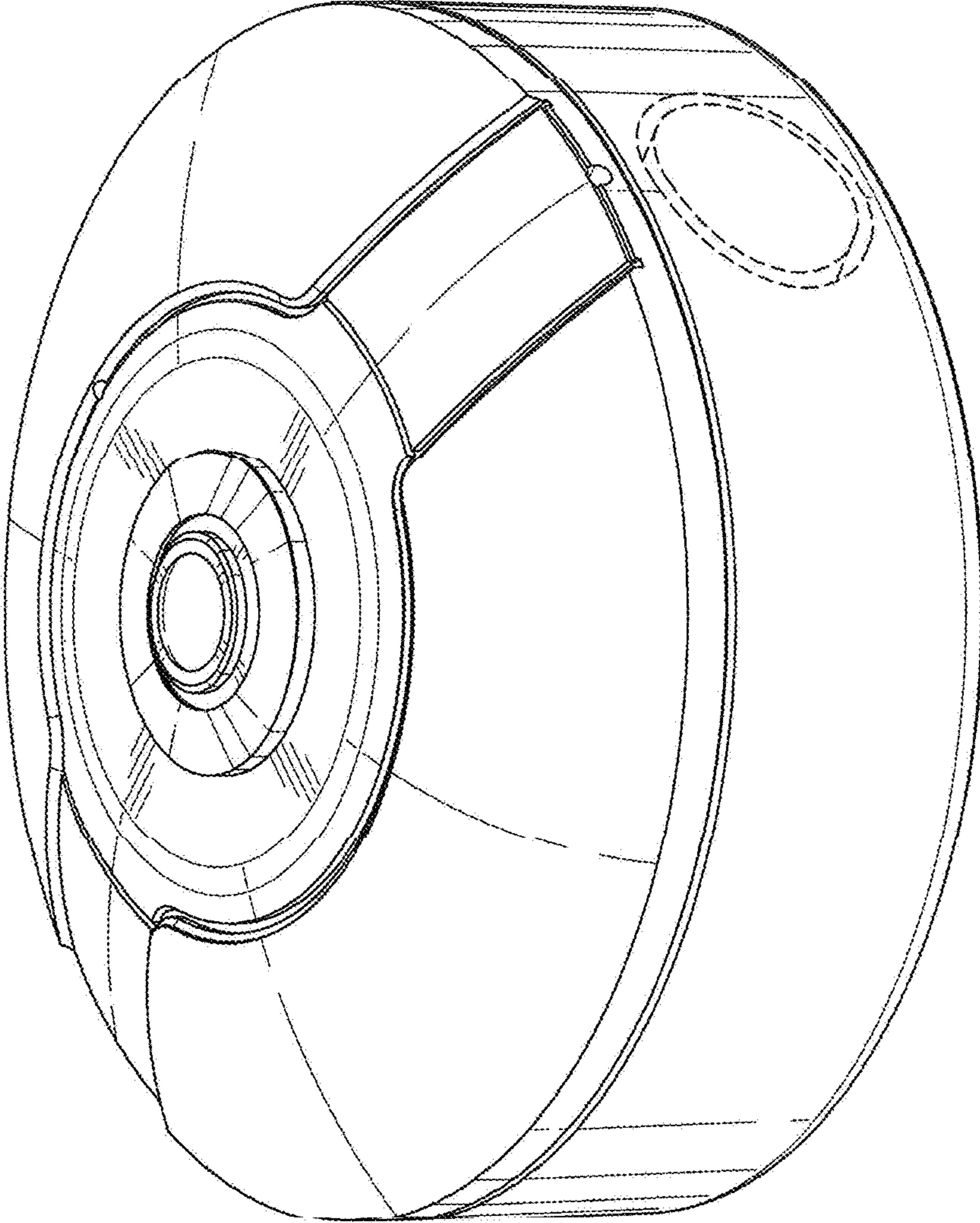


Fig. 1

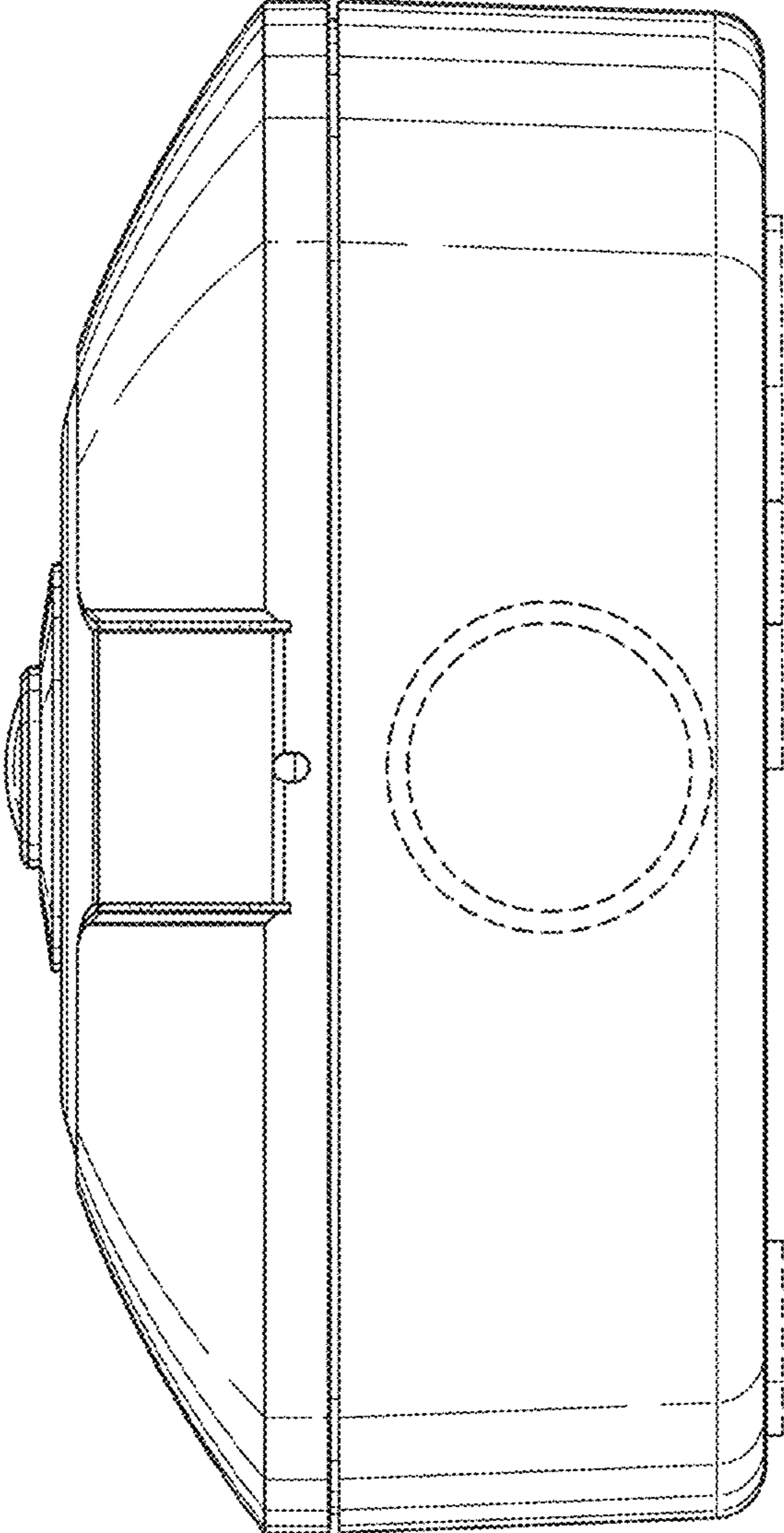


Fig. 2

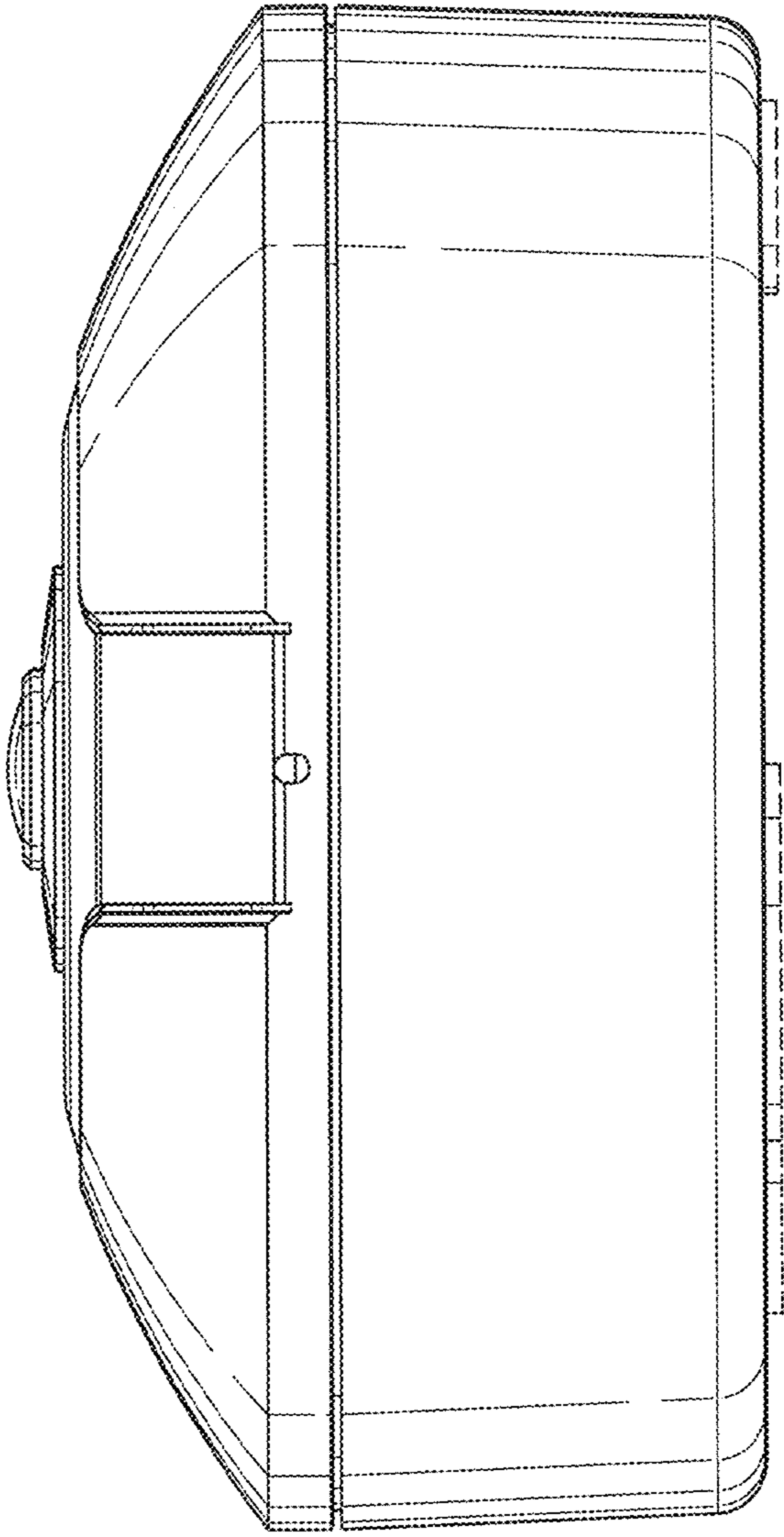


Fig. 3

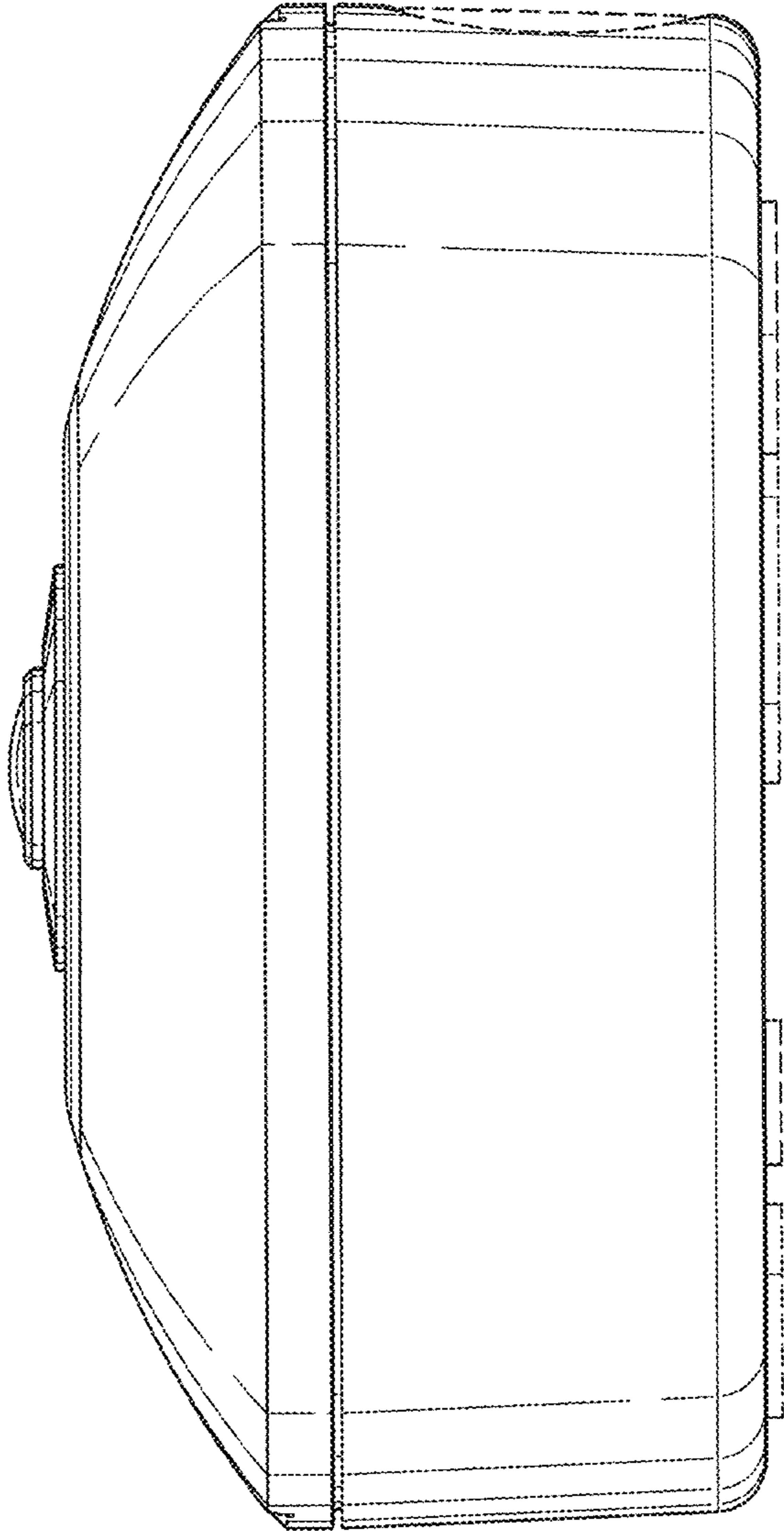


Fig. 4

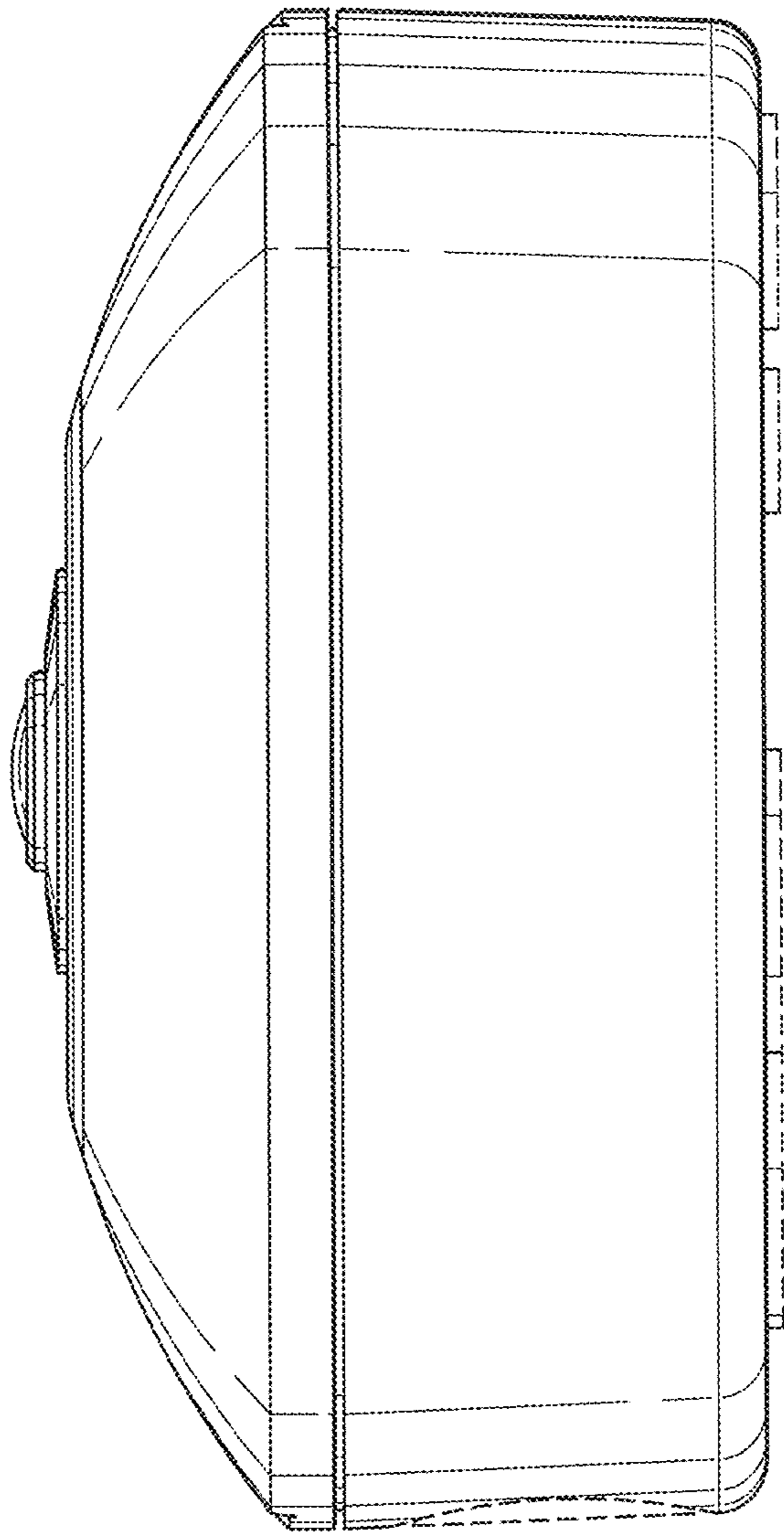


Fig. 5

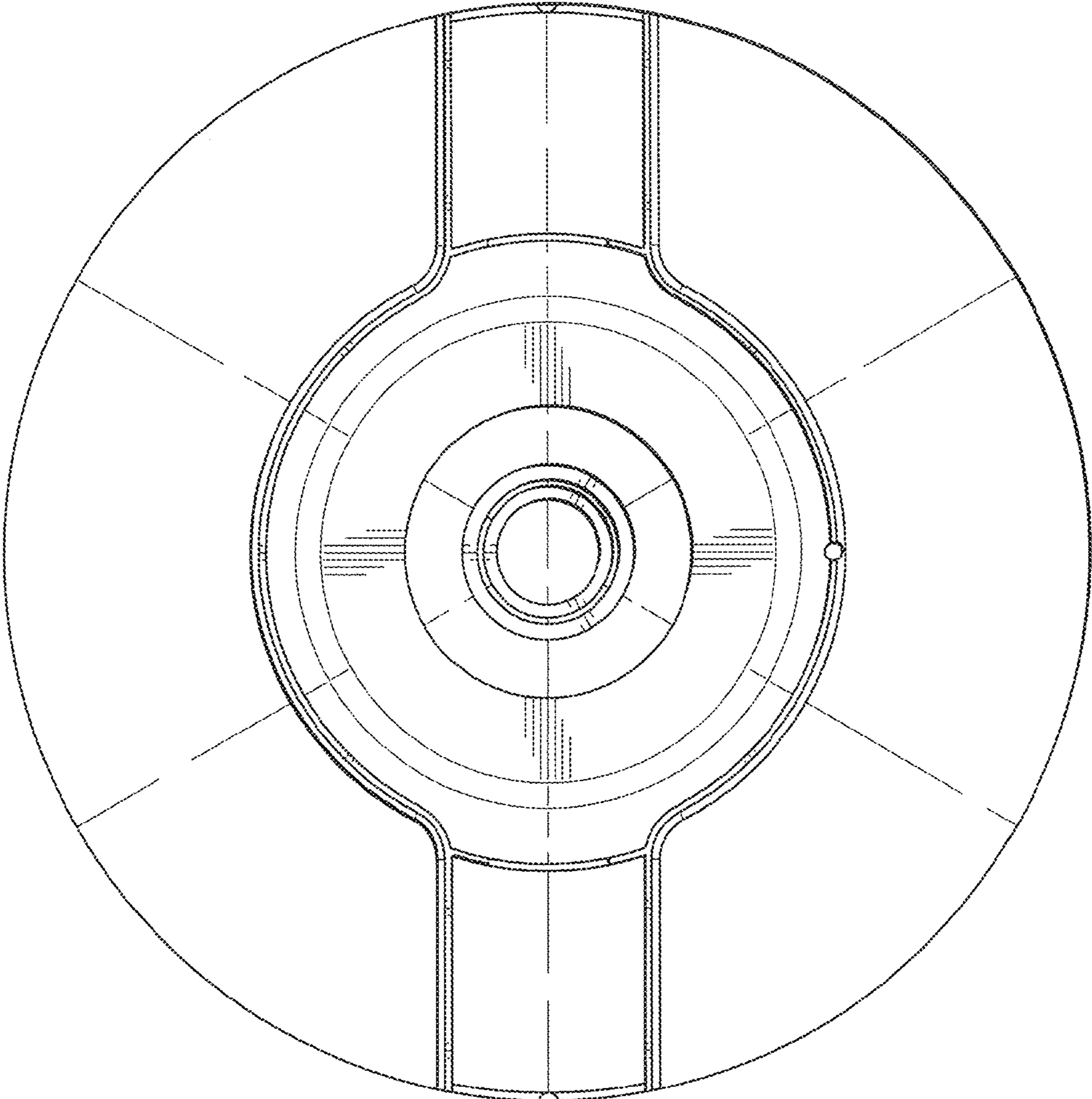


Fig. 6

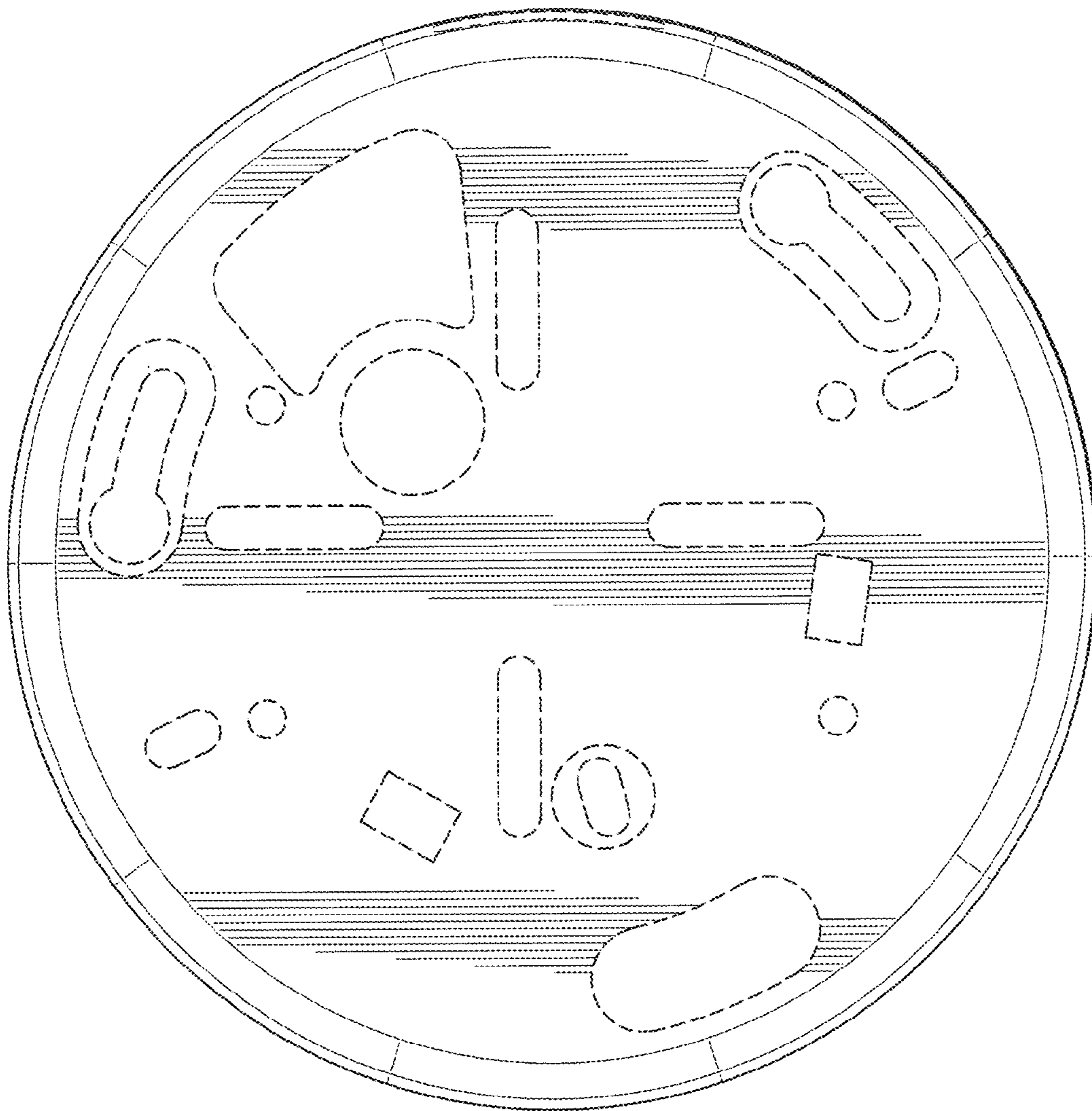


Fig. 7