



US00D743464S

(12) **United States Design Patent**
Noh

(10) **Patent No.:** **US D743,464 S**

(45) **Date of Patent:** **** Nov. 17, 2015**

(54) **CAMERA**

(71) Applicant: **Samsung Electronics Co., Ltd.**,
Suwon-si, Gyeonggi-do (KR)

(72) Inventor: **Kyung-Han Noh**, Seoul (KR)

(73) Assignee: **SAMSUNG ELECTRONICS CO., LTD.** (KR)

(**) Term: **14 Years**

(21) Appl. No.: **29/495,508**

(22) Filed: **Jul. 1, 2014**

(30) **Foreign Application Priority Data**

Jan. 3, 2014 (KR) 30-2014-0000366

(51) **LOC (10) Cl.** **16-01**

(52) **U.S. Cl.**
USPC **D16/202; D16/217**

(58) **Field of Classification Search**
USPC D16/200, 202-206, 208, 217, 218, 219;
348/373-376; 396/176-178, 535,
396/539-541
CPC G03B 15/03; G03B 17/02; G03B 17/04;
G03B 17/56; G03B 19/04; H04N 5/2251;
H04N 5/2252; H04N 5/2253; H04N 5/2254;
H04N 2101/00
See application file for complete search history.

(56) **References Cited**

U.S. PATENT DOCUMENTS

6,393,225 B1 * 5/2002 Yamada 396/535
D487,105 S * 2/2004 Takahashi D16/217

D493,809 S * 8/2004 Ogura D16/202
D505,684 S * 5/2005 Gotham et al. D16/202
7,505,682 B2 * 3/2009 Liu 396/177
D594,892 S * 6/2009 Kamiya et al. D16/202
D595,755 S * 7/2009 Funakoshi D16/202
8,131,147 B2 * 3/2012 Kusatsugu 396/535
D690,755 S * 10/2013 Nikaido D16/202
D690,756 S * 10/2013 Giugiaro et al. D16/202
D698,840 S * 2/2014 Nakamura et al. D16/202
D706,849 S * 6/2014 Sakai D16/202
D709,936 S * 7/2014 Sakai D16/202

FOREIGN PATENT DOCUMENTS

KR 3020130027647 S 5/2013

* cited by examiner

Primary Examiner — Adir Aronovich

Assistant Examiner — Ramzi Almatrahi

(74) *Attorney, Agent, or Firm* — Cantor Colburn LLP

(57) **CLAIM**

The ornamental design for a camera, as shown and described.

DESCRIPTION

FIG. 1 is a front perspective view of a camera, showing my new design;
FIG. 2 is a front elevation view thereof;
FIG. 3 is a rear elevation view thereof;
FIG. 4 is a left side elevation view thereof;
FIG. 5 is a right side elevation view thereof;
FIG. 6 is a top plan view thereof; and,
FIG. 7 is a bottom plan view thereof.
The broken lines depict portions of a camera in which the design is embodied and form no part of the claimed design.

1 Claim, 7 Drawing Sheets

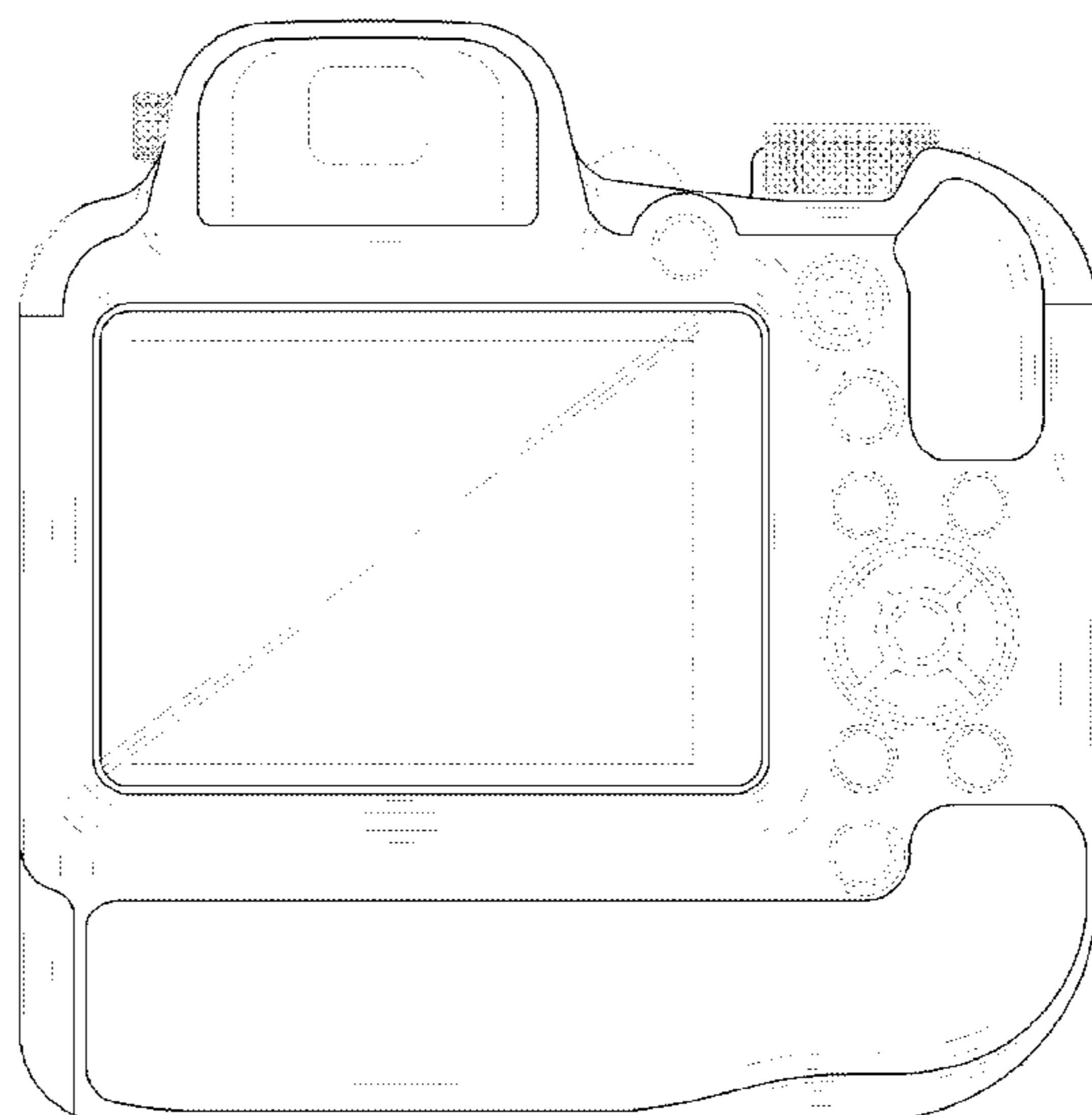
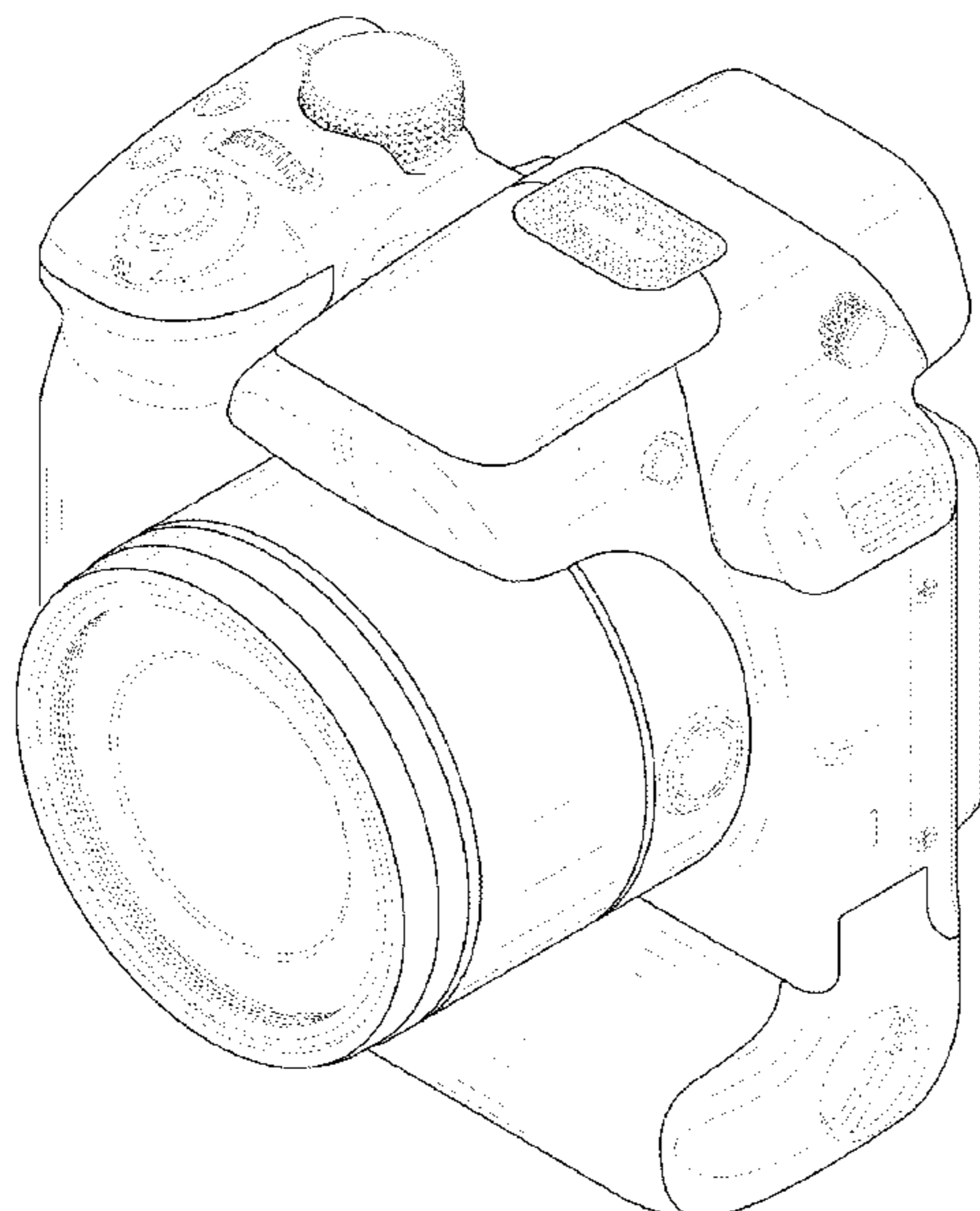


FIG. 1

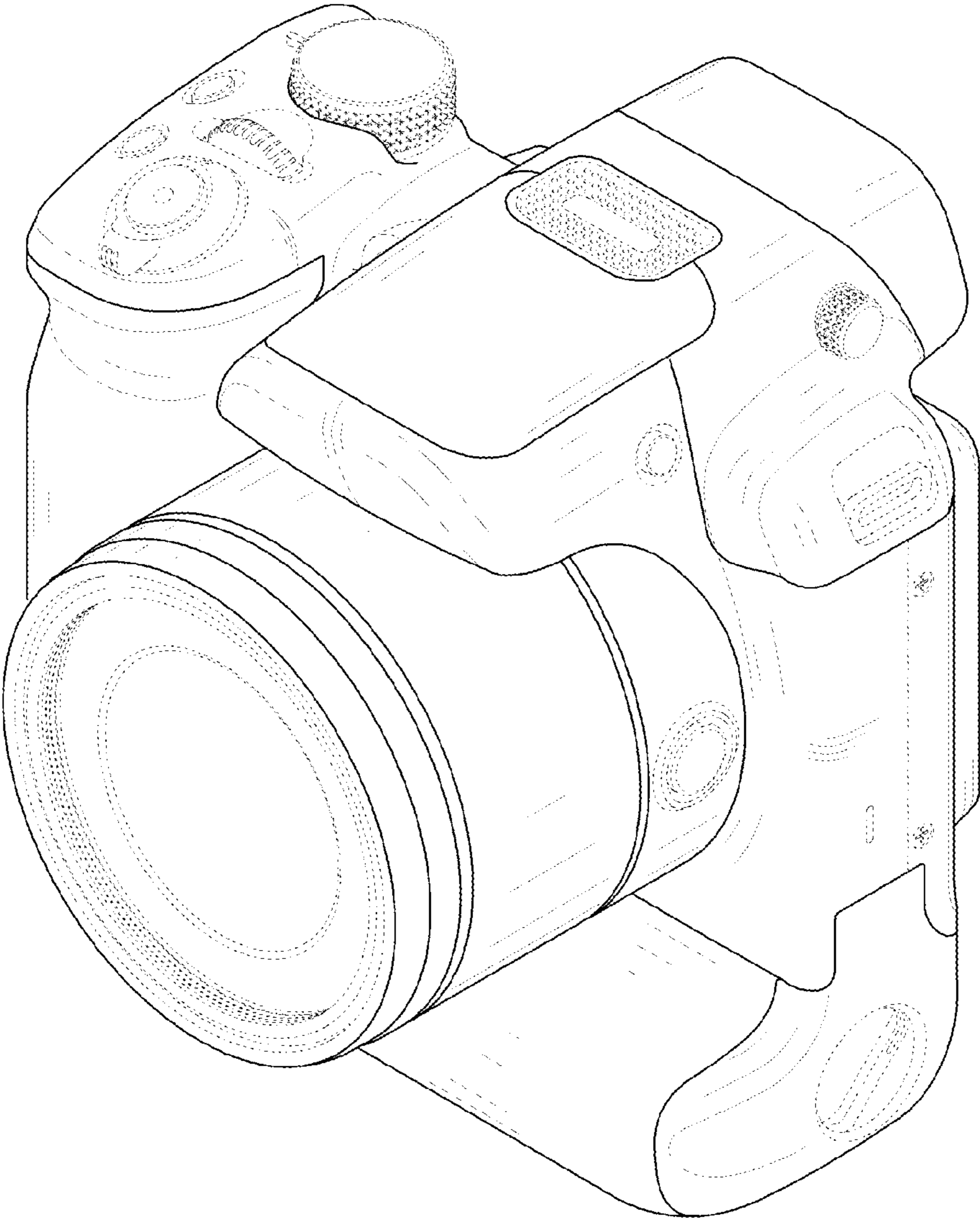


FIG. 2

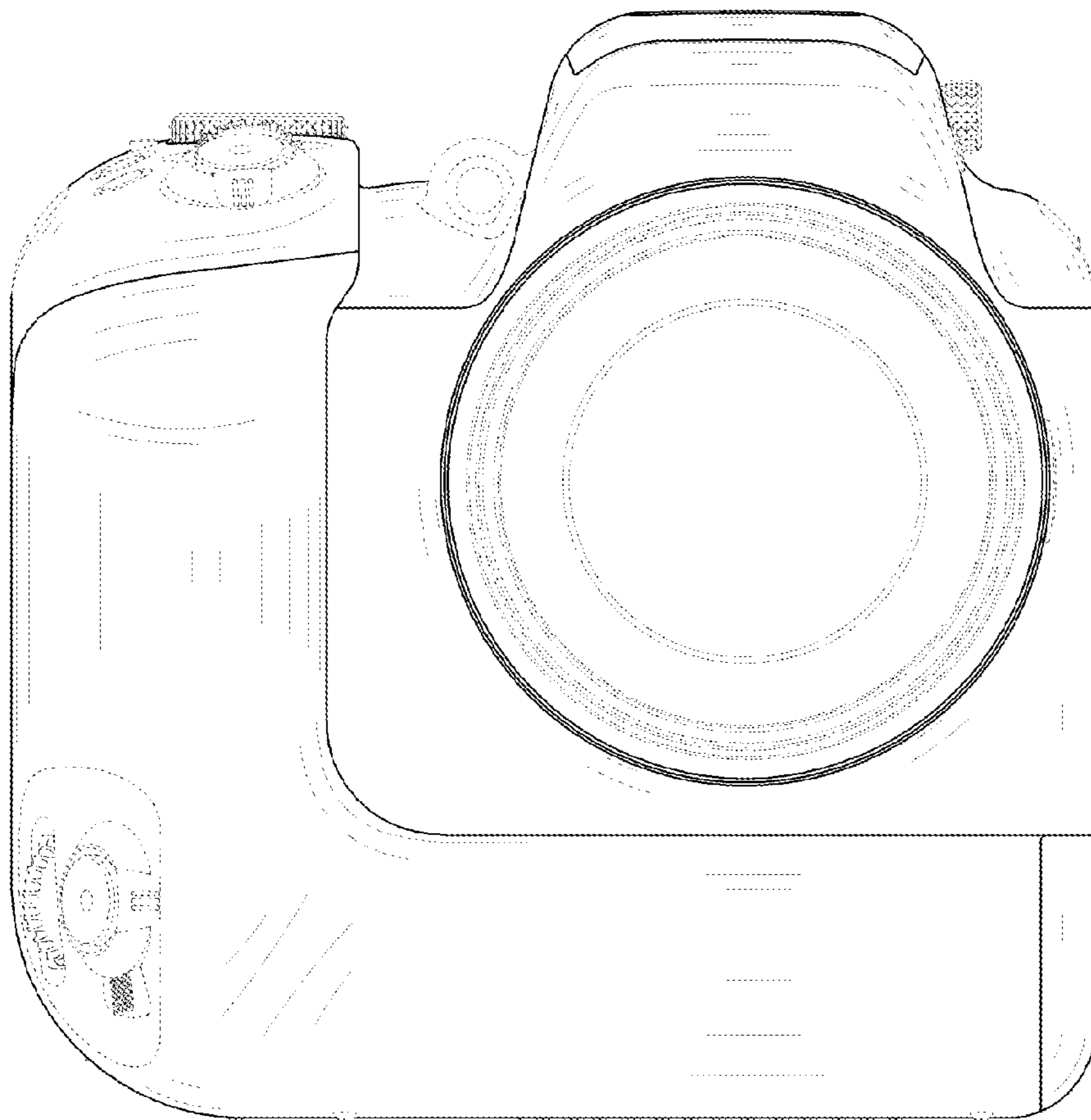


FIG. 3

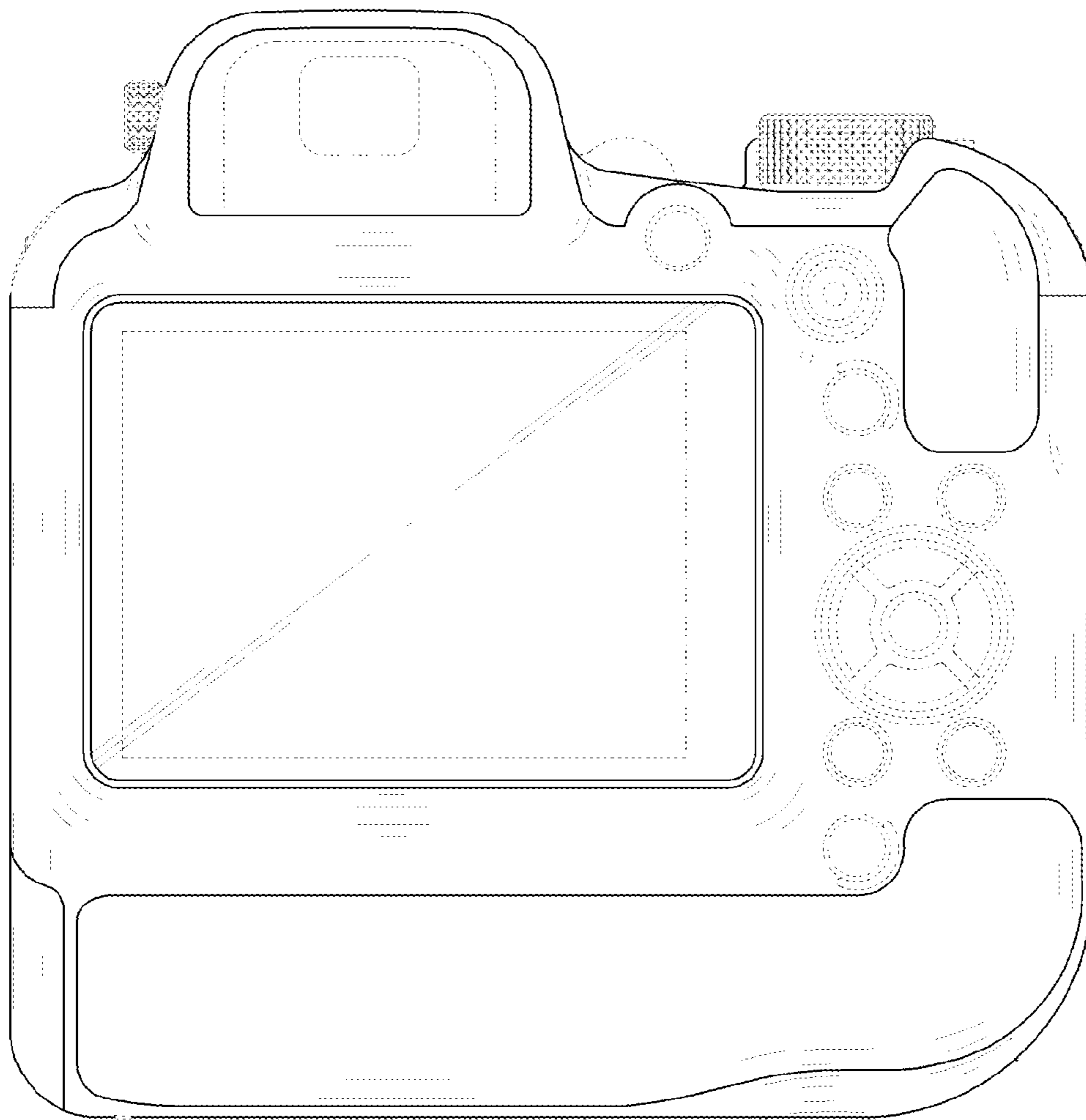


FIG. 4

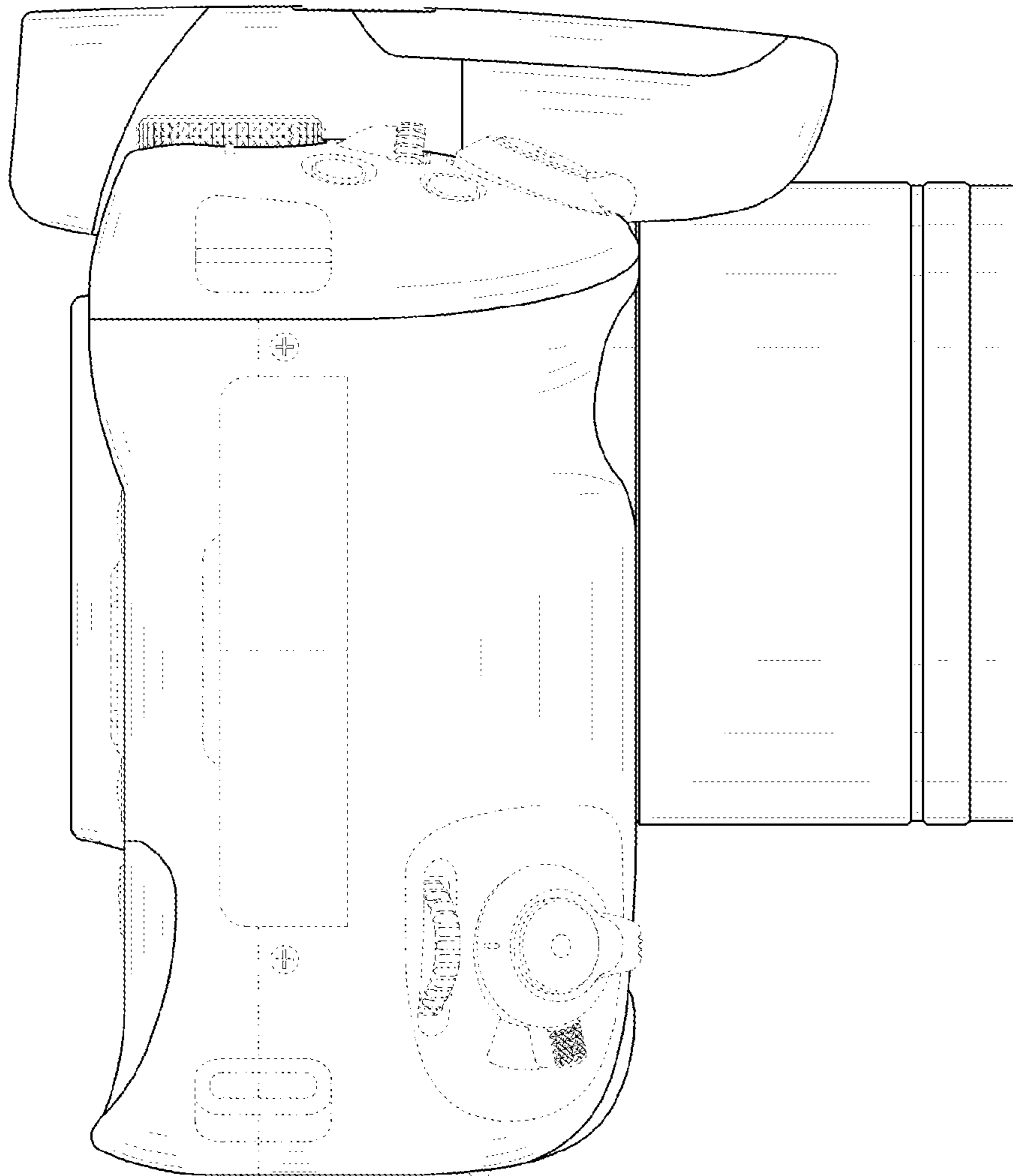


FIG. 5

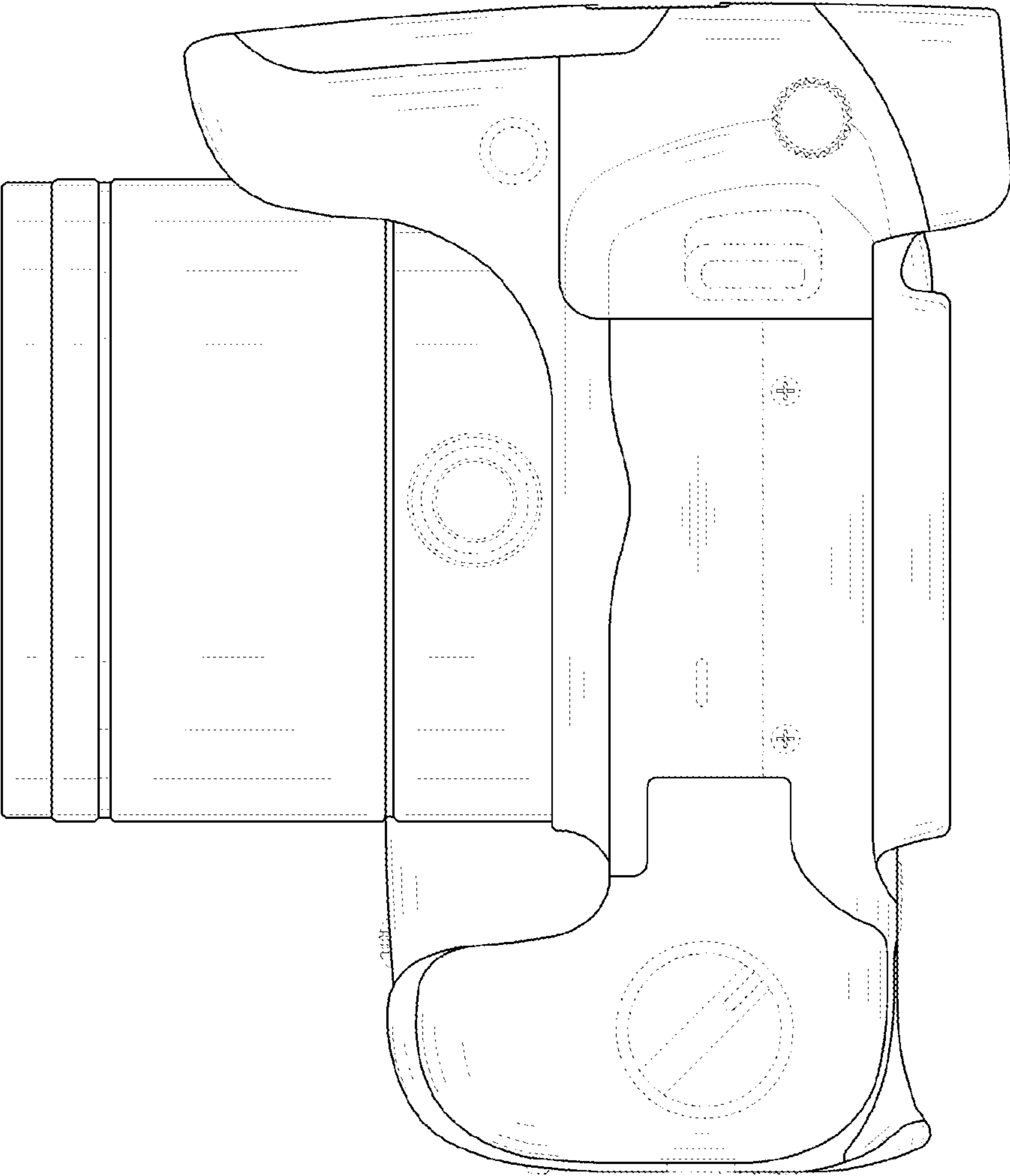


FIG. 6

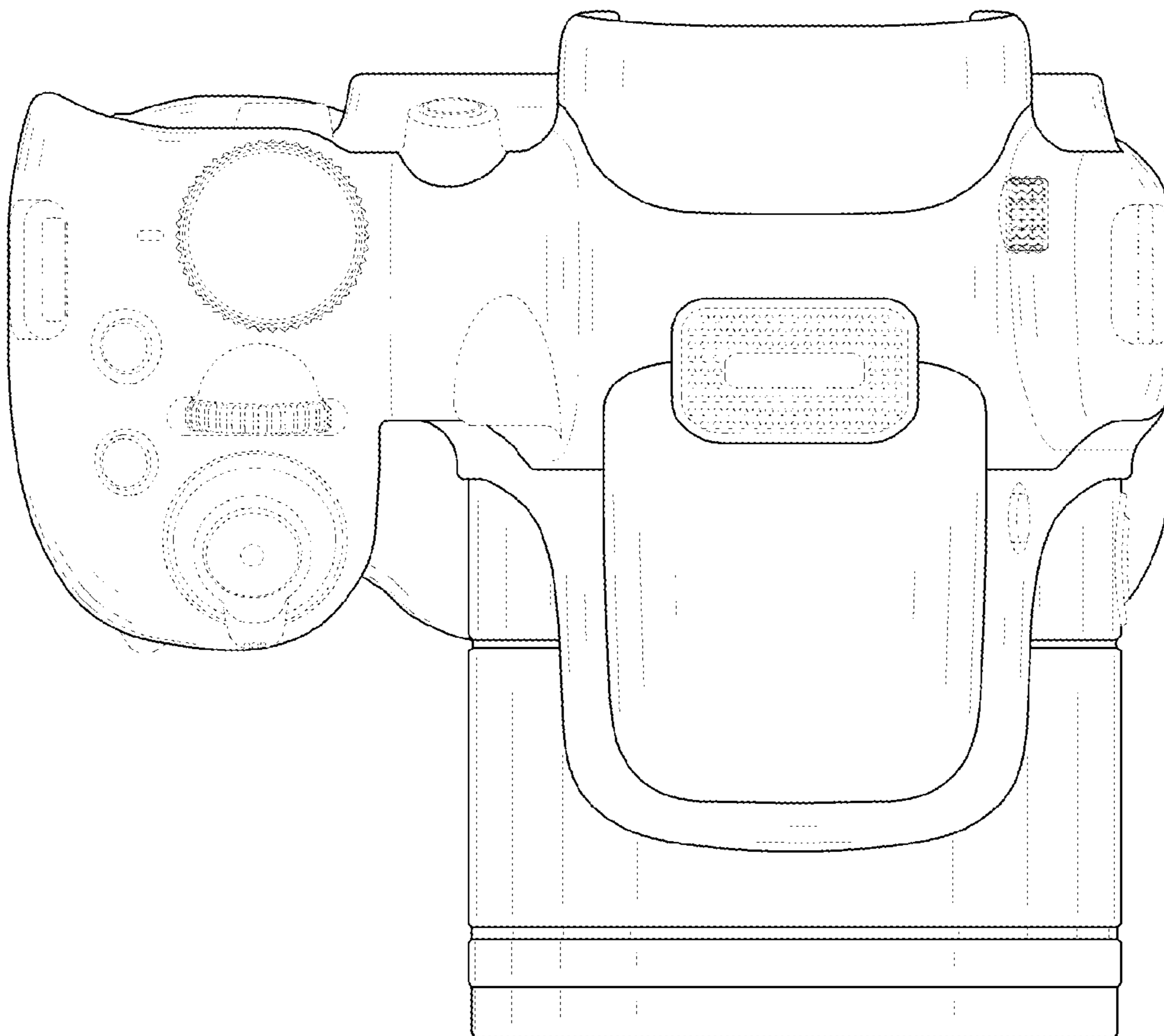


FIG. 7

