

US00D743460S

(12) **United States Design Patent**  
**Suzuki et al.**

(10) **Patent No.:** **US D743,460 S**

(45) **Date of Patent:** **\*\* \*Nov. 17, 2015**

(54) **IMPELLER BLADE FOR SHOTBLAST MACHINE**

(71) Applicant: **Sintokogio, Ltd.**, Nagoya-shi, Aichi (JP)

(72) Inventors: **Hiroaki Suzuki**, Toyokawa (JP); **Masato Umeoka**, Toyokawa (JP)

(73) Assignee: **Sintokogio Ltd.**, Nagoya-shi (JP)

(\*) Notice: This patent is subject to a terminal disclaimer.

(\*\*) Term: **14 Years**

(21) Appl. No.: **29/488,899**

(22) Filed: **Apr. 24, 2014**

(30) **Foreign Application Priority Data**

Oct. 31, 2013 (JP) ..... 2013-025417

(51) **LOC (10) Cl.** ..... **15-09**

(52) **U.S. Cl.**  
USPC ..... **D15/139**

(58) **Field of Classification Search**  
USPC ..... D7/383; D15/122, 123, 124, 131, 138,  
D15/139, 140; D23/379; D24/110  
See application file for complete search history.

(56) **References Cited**

**U.S. PATENT DOCUMENTS**

2,637,502	A *	5/1953	Bond	241/194
3,000,579	A *	9/1961	Bridgewater	241/275
3,074,657	A *	1/1963	Bridgewater	241/275
3,149,793	A *	9/1964	Bridgewater	241/275
3,174,697	A *	3/1965	Bridgewater	241/275
4,355,769	A *	10/1982	Warren et al.	241/300
RE32,355	E *	2/1987	Warren et al.	241/300
4,784,339	A *	11/1988	Deffenbaugh	241/275
5,081,801	A *	1/1992	Fylak	451/97
5,360,486	A *	11/1994	Elliott	134/6
5,417,608	A *	5/1995	Elliott	451/81

5,441,370	A *	8/1995	Pantzar et al.	407/113
D366,935	S *	2/1996	Arthun et al.	D23/411
5,637,029	A *	6/1997	Lehane	451/39
5,921,484	A *	7/1999	Smith et al.	241/275
D429,741	S *	8/2000	Warren	D15/123
6,405,953	B1 *	6/2002	Warren	241/275
D468,009	S *	12/2002	Hoenderkamp et al.	D23/411
6,877,959	B2 *	4/2005	McWhirter	416/228
6,881,033	B2 *	4/2005	Makinson et al.	416/3
7,147,407	B2 *	12/2006	Satran	407/42
D577,807	S *	9/2008	Kenyon et al.	D23/379

(Continued)

**FOREIGN PATENT DOCUMENTS**

CN	302300908	S	1/2013
JP	367670		8/1973
JP	369408		9/1973
JP	409729		11/1975
JP	465465		1/1978

(Continued)

*Primary Examiner* — Patricia Palasik

(74) *Attorney, Agent, or Firm* — Saidman DesignLaw Group LLC

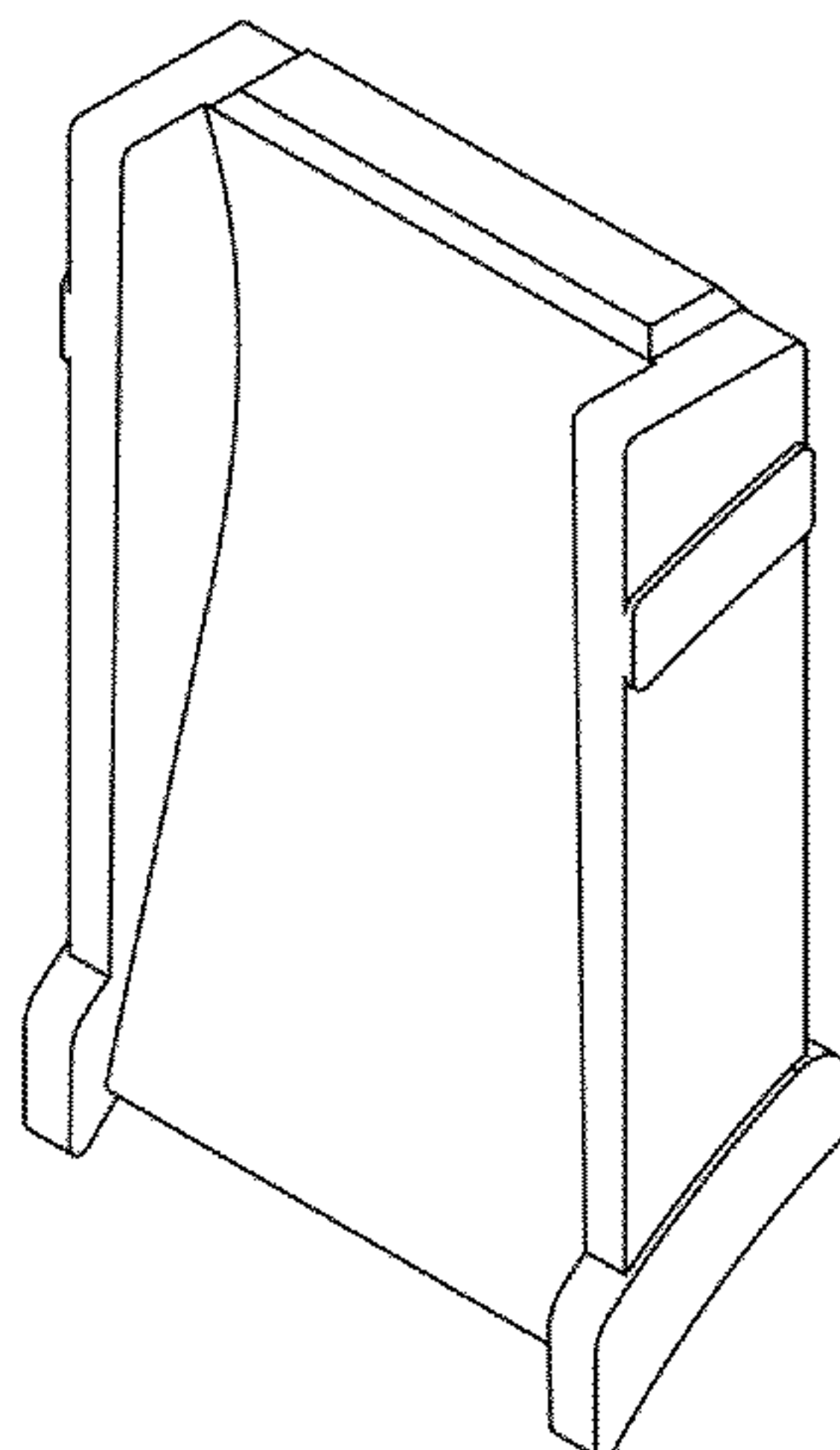
(57) **CLAIM**

The ornamental design for an impeller blade for shotblast machine, as shown and described.

**DESCRIPTION**

FIG. 1 is a front view of an impeller blade for shotblast machine showing our new design;  
FIG. 2 is a rear view thereof;  
FIG. 3 is a left side view thereof;  
FIG. 4 is a right side view thereof;  
FIG. 5 is a top plan view thereof;  
FIG. 6 is a bottom plan view thereof;  
FIG. 7 is a cross-sectional view taken along the lines 7-7;  
FIG. 8 is a front right top perspective view thereof;  
FIG. 9 is a front right bottom perspective view thereof;  
FIG. 10 is a rear right top perspective view thereof; and,  
FIG. 11 is a rear right bottom perspective view thereof.

**1 Claim, 4 Drawing Sheets**



(56)

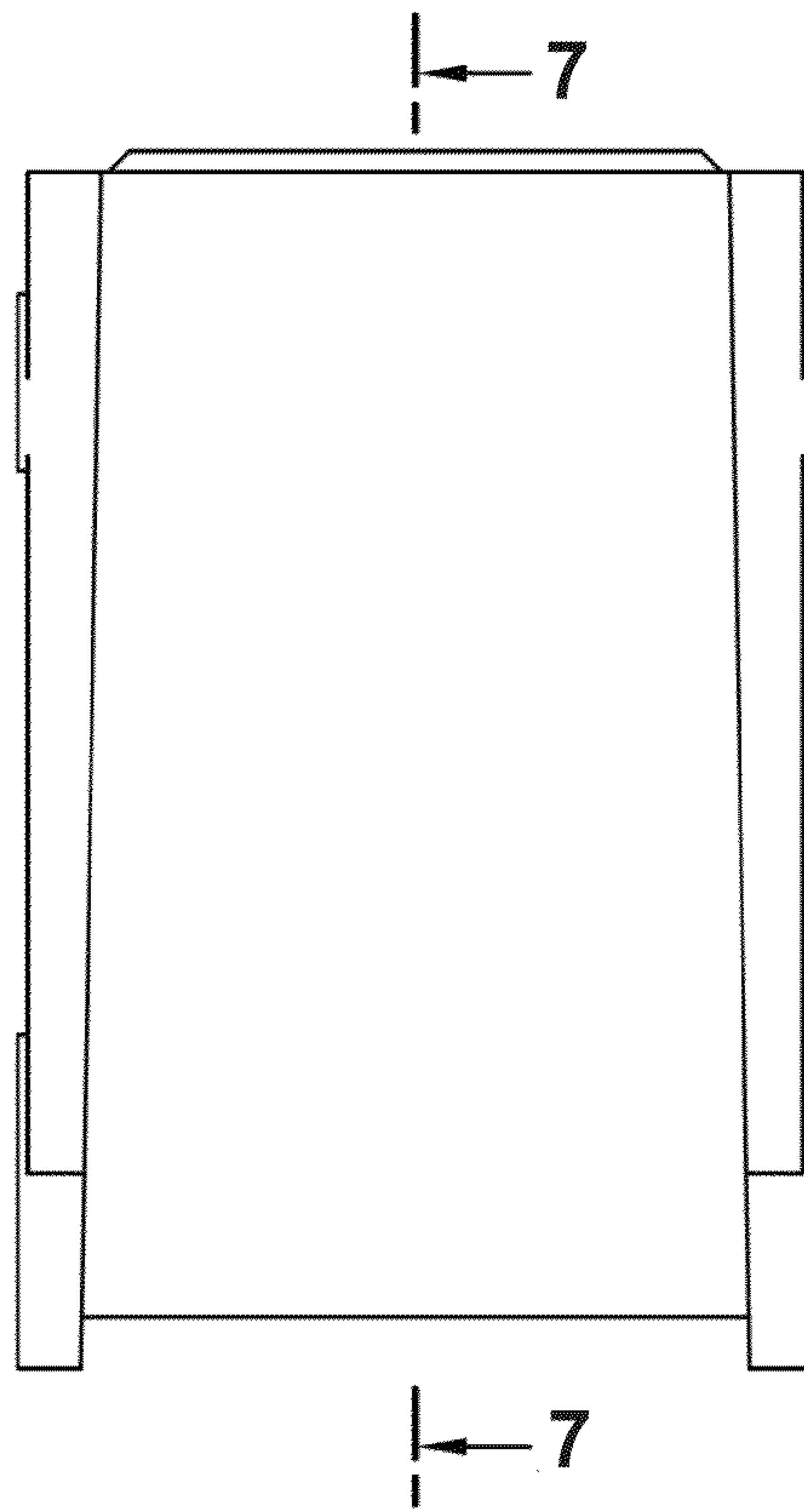
**References Cited**

**FOREIGN PATENT DOCUMENTS**

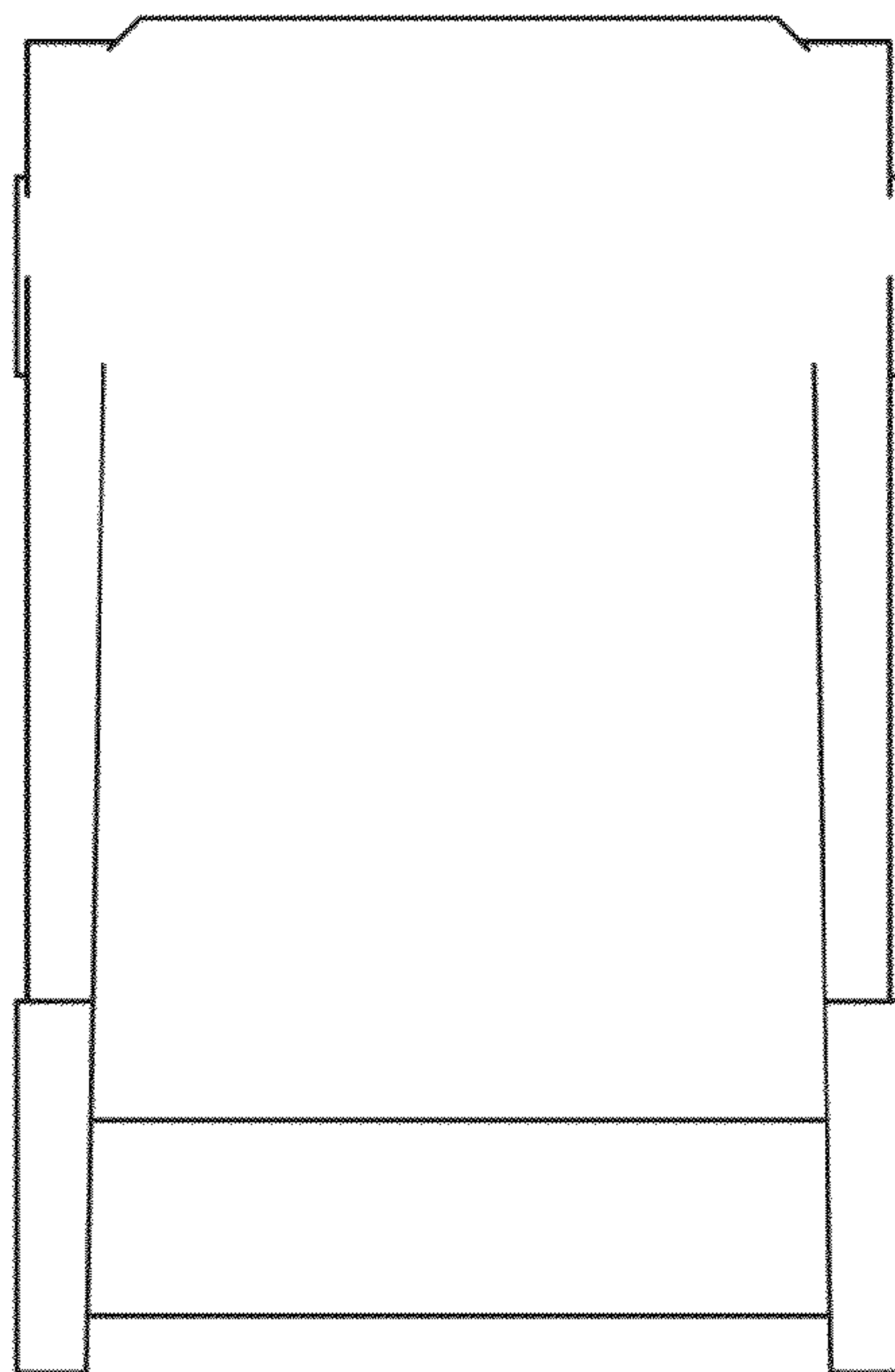
**U.S. PATENT DOCUMENTS**

D630,721 S *	1/2011	Kenyon et al. ....	D23/379	JP	489626	12/1978
D645,950 S *	9/2011	Kenyon et al. ....	D23/379	JP	627737	6/1984
D681,704 S *	5/2013	Stoyanov .....	D15/138	JP	627738	6/1984
D702,829 S *	4/2014	Chen et al. ....	D23/379	JP	866025	4/1993
8,757,979 B2 *	6/2014	Martensson .....	416/190	JP	627737-1	11/1995
8,926,406 B2 *	1/2015	Mrak et al. ....	451/95	JP	627738-1	10/1997
2009/0186564 A1 *	7/2009	Liedtke .....	451/91	TW	077776	5/1986

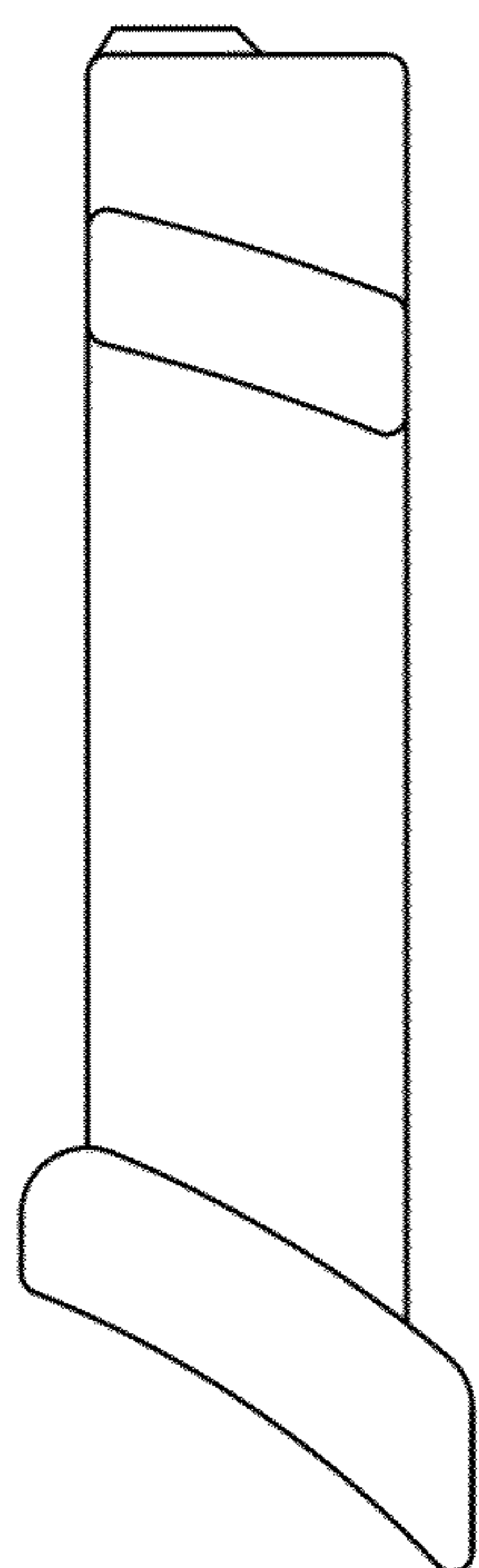
\* cited by examiner



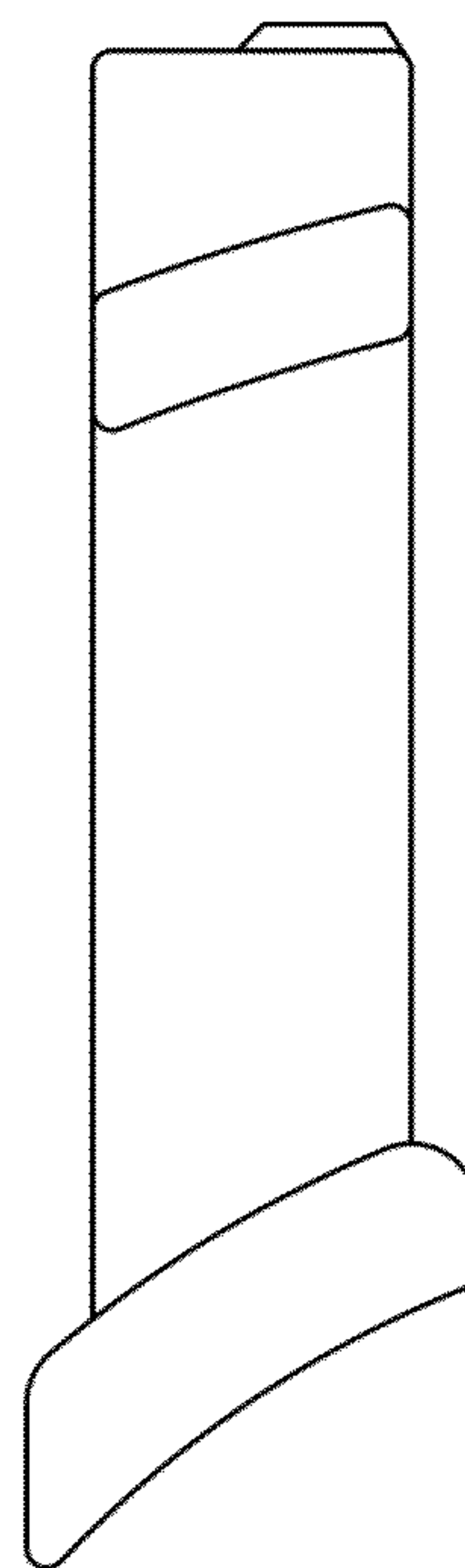
*Fig. 1*



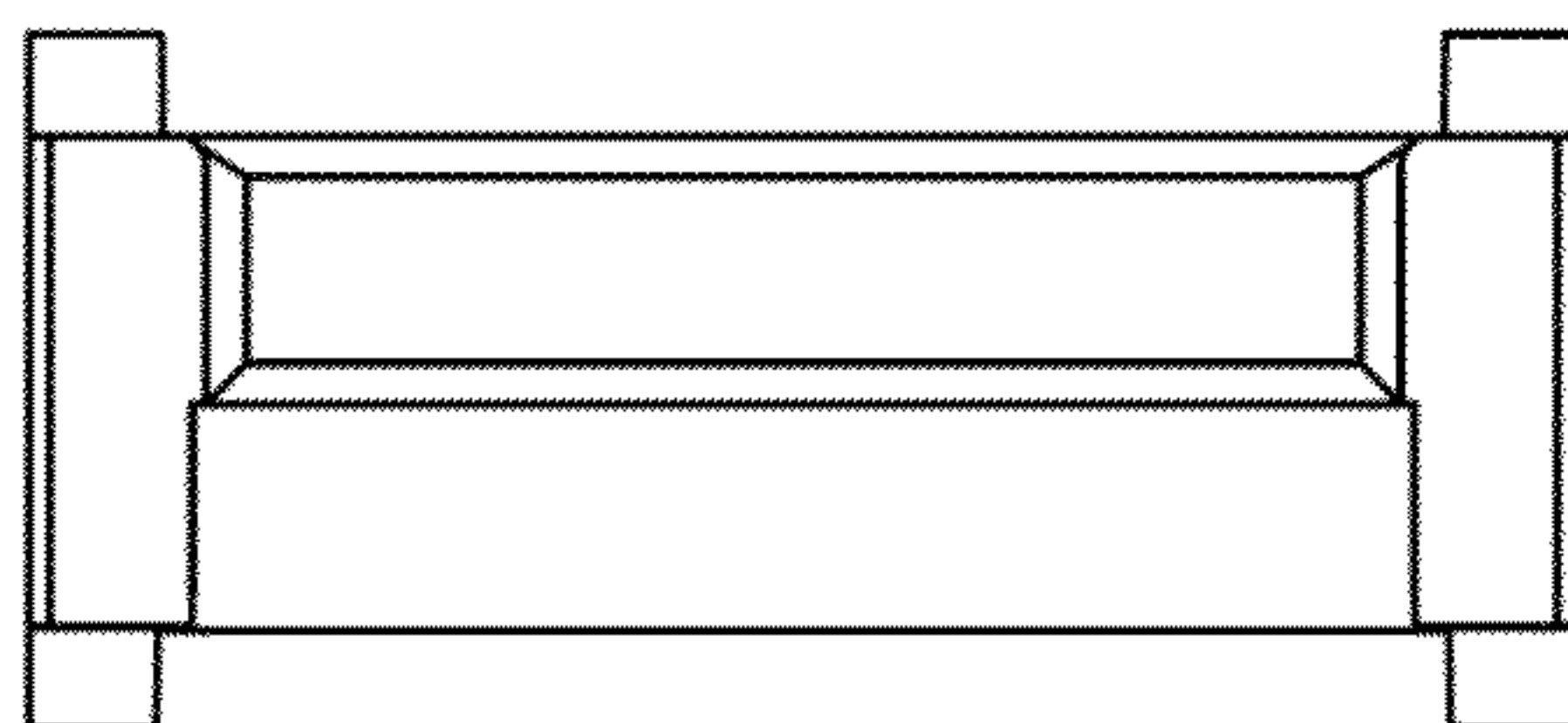
*Fig. 2*



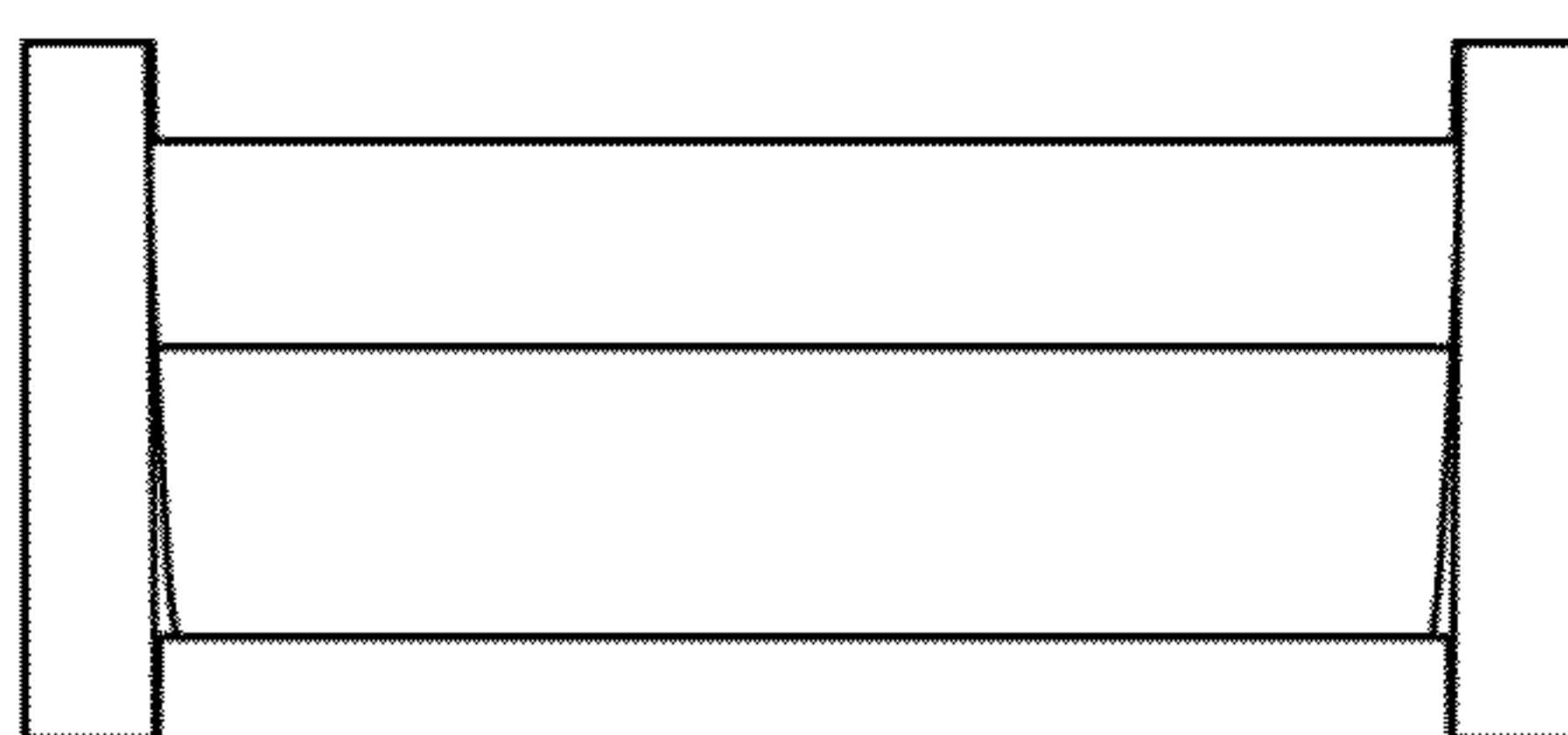
**Fig. 3**



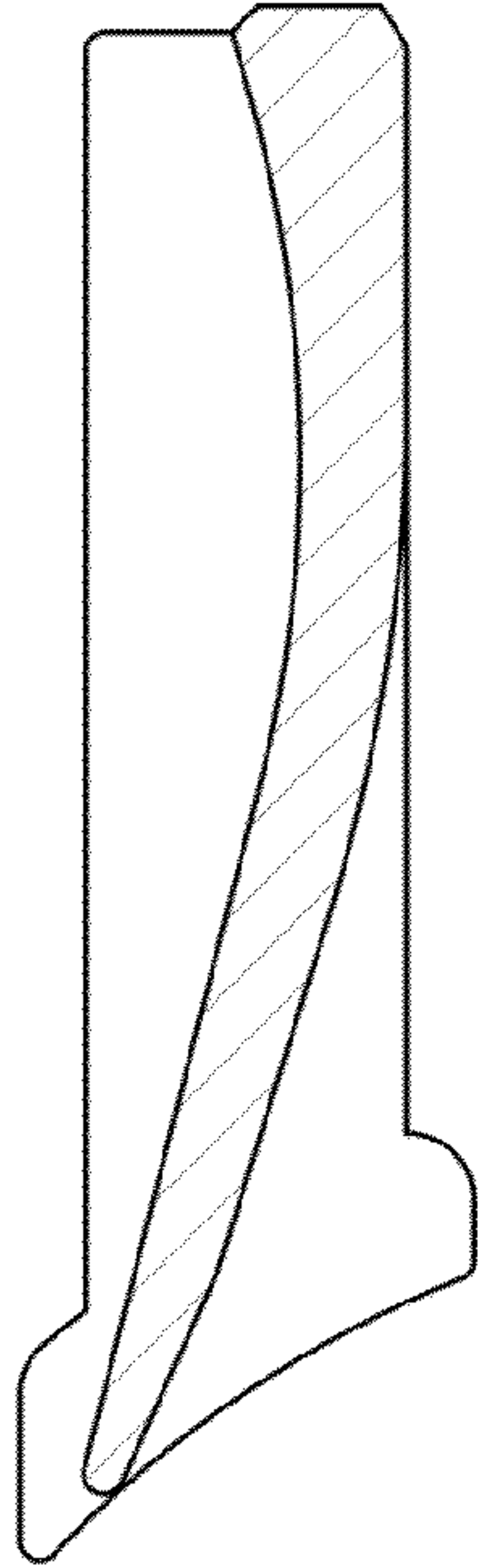
**Fig. 4**



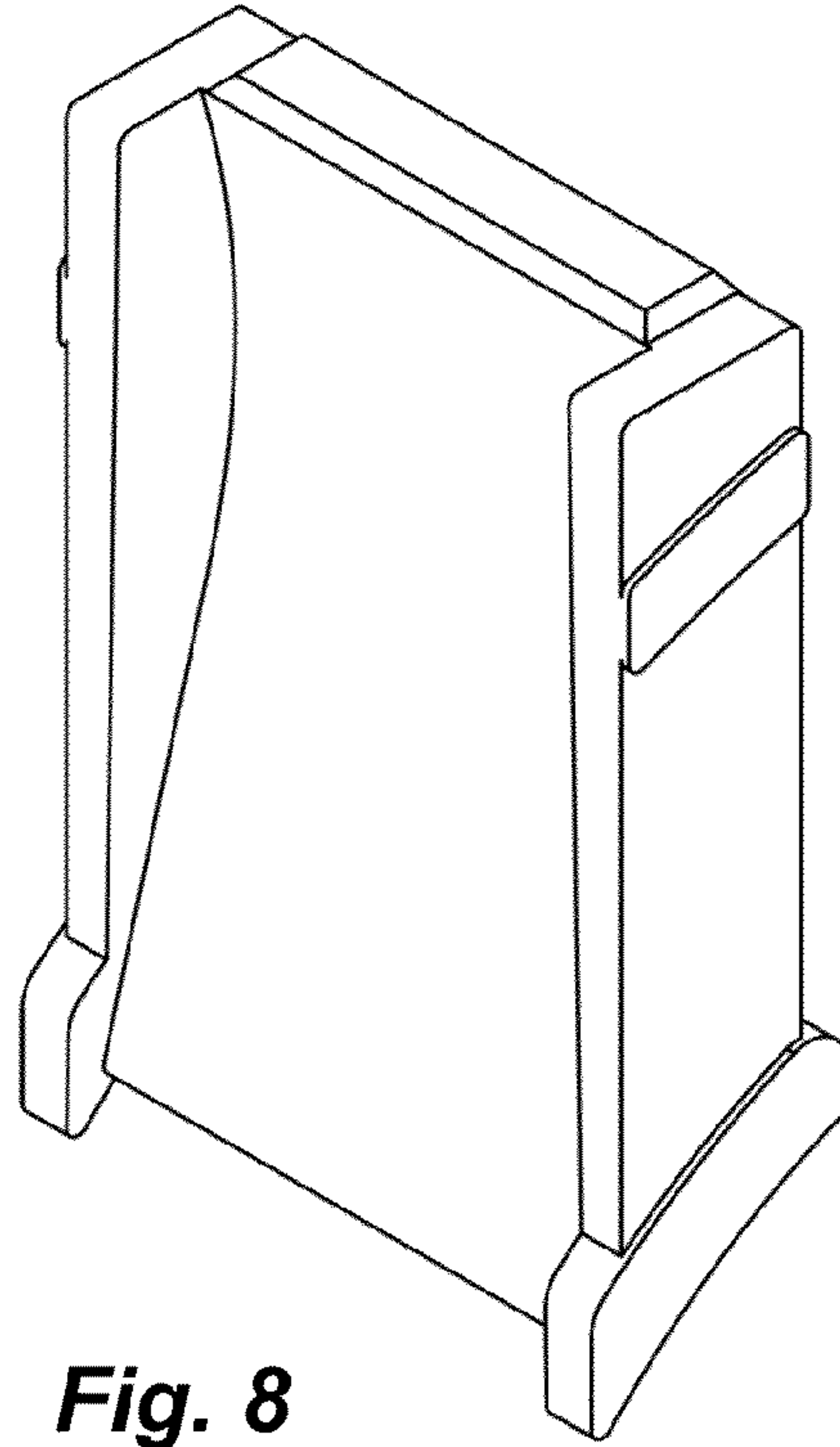
**Fig. 5**



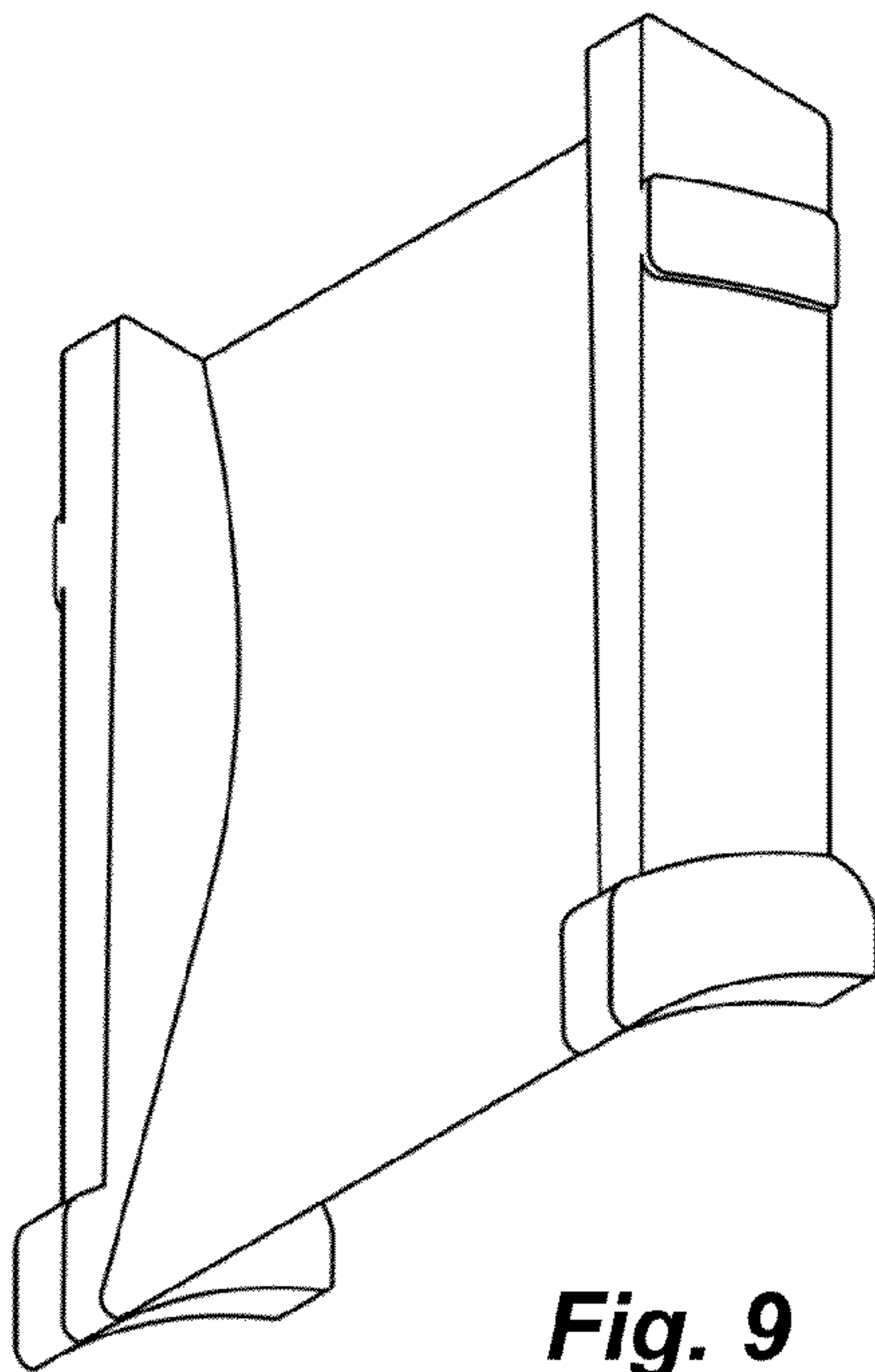
**Fig. 6**



**Fig. 7**

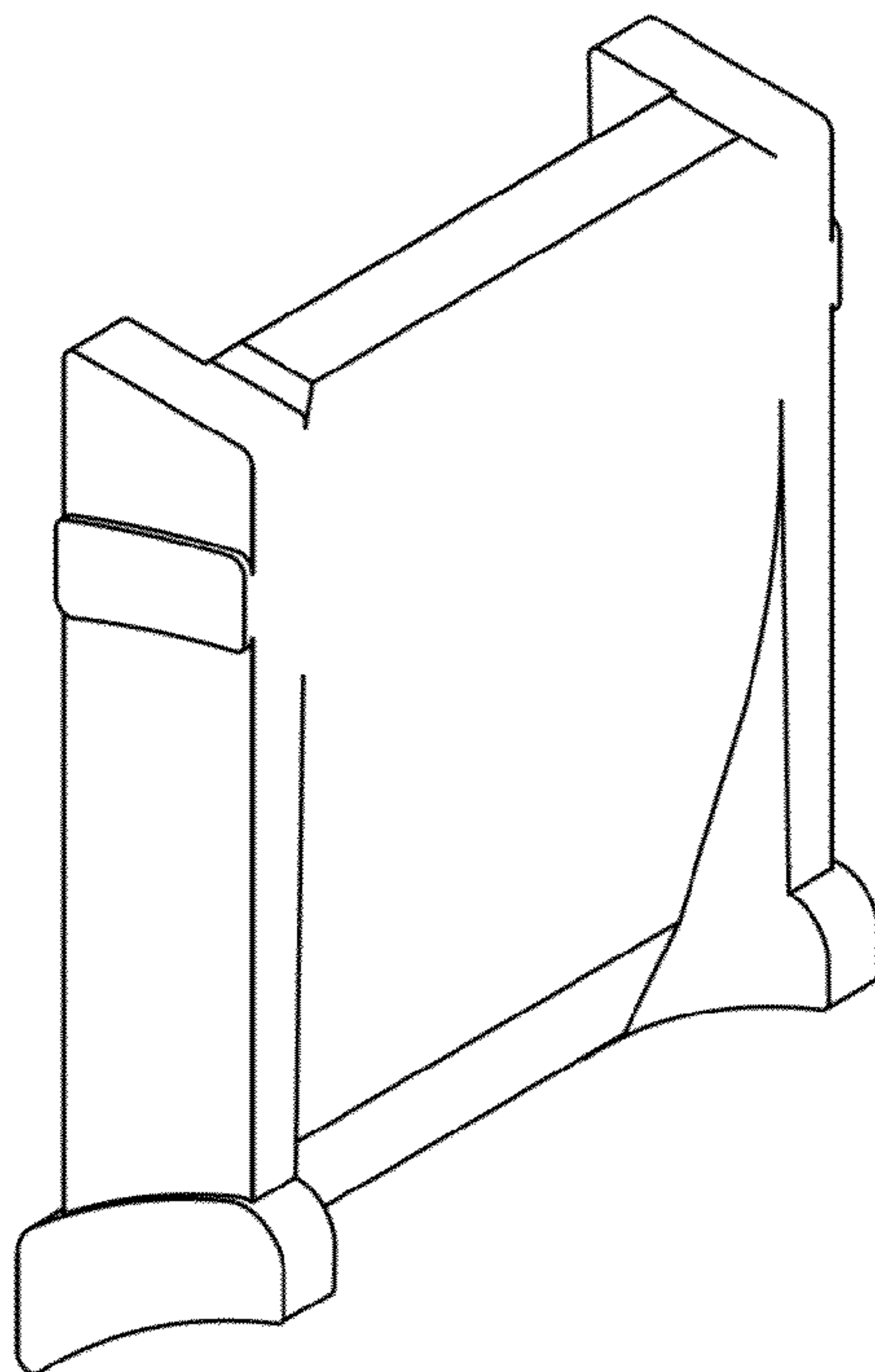


**Fig. 8**

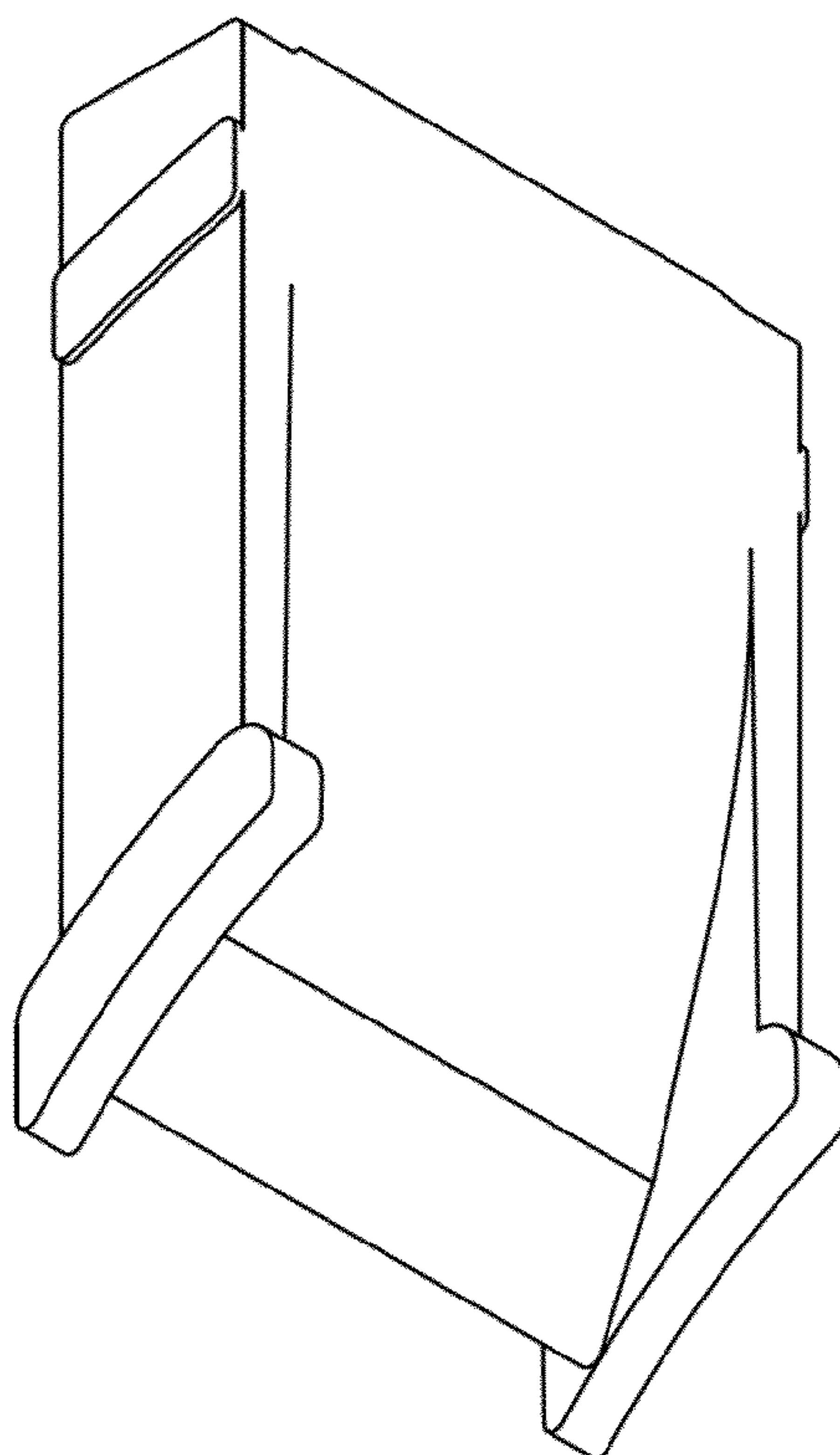


**Fig. 9**





**Fig. 10**



**Fig. 11**