



US00D743459S

(12) **United States Design Patent**
Malmberg et al.

(10) **Patent No.:** **US D743,459 S**

(45) **Date of Patent:** **** Nov. 17, 2015**

(54) **TELESCOPIC CHUTE**

(71) Applicant: **SANDVIK INTELLECTUAL
PROPERTY AB**, Sandviken (SE)

(72) Inventors: **Mats Malmberg**, Rydsgard (SE);
Adrien Henssien, Malmo (SE)

(73) Assignee: **SANDVIK INTELLECTUAL
PROPERTY AB**, Sandviken (SE)

(**) Term: **14 Years**

(21) Appl. No.: **29/490,375**

(22) Filed: **May 9, 2014**

(30) **Foreign Application Priority Data**

Nov. 11, 2013 (EM) 001389217-0001

(51) **LOC (10) CL.** **15-09**

(52) **U.S. Cl.**
USPC **D15/138**

(58) **Field of Classification Search**
USPC D15/28, 138, 145
See application file for complete search history.

(56) **References Cited**

U.S. PATENT DOCUMENTS

1,567,369 A * 12/1925 Holst 138/120
1,981,413 A * 11/1934 Goodfellow 138/92
2,658,603 A * 11/1953 Fernald 193/25 C

2,968,382 A * 1/1961 Oury 193/10
3,095,073 A * 6/1963 Larson et al. 193/33
3,168,946 A * 2/1965 Gay 193/6
4,821,861 A * 4/1989 Shanahan 193/25 E
5,154,271 A * 10/1992 Binzen 193/30
D345,039 S * 3/1994 Doyle D34/28
6,186,304 B1 * 2/2001 Håkansson 193/6
D620,964 S * 8/2010 Yuyama et al. D15/145
7,878,636 B2 * 2/2011 Fairchild et al. 347/88
7,971,698 B2 * 7/2011 Burstrom et al. 193/25 E
8,051,970 B2 * 11/2011 Shaber et al. 193/10
8,485,336 B2 * 7/2013 Tenold et al. 193/33
D710,755 S * 8/2014 Pier et al. D12/51
D710,912 S * 8/2014 Wehmeier D15/28
D728,636 S * 5/2015 Kunz D15/29

* cited by examiner

Primary Examiner — Patricia Palasik

(74) *Attorney, Agent, or Firm* — Corinne R. Gorski

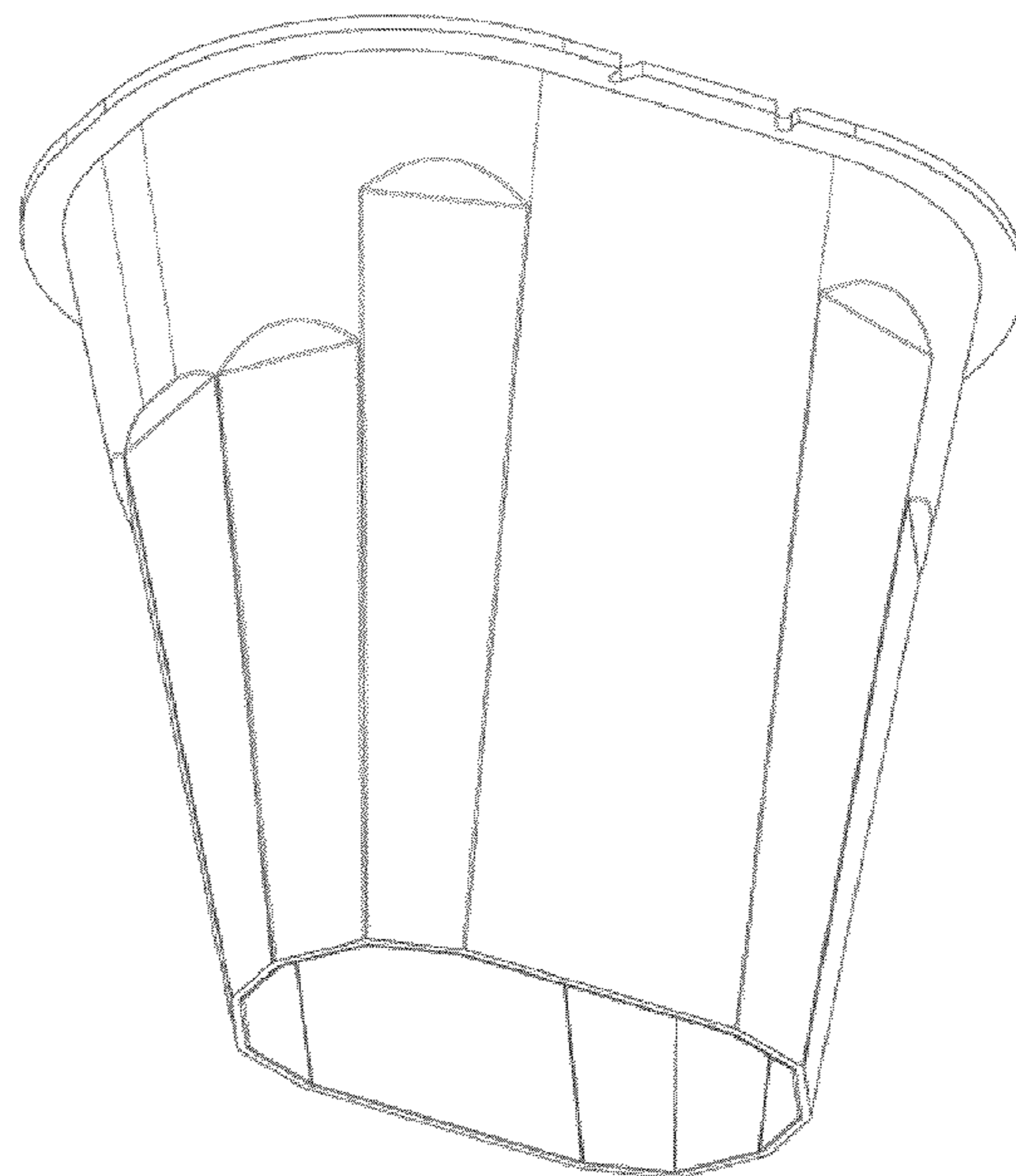
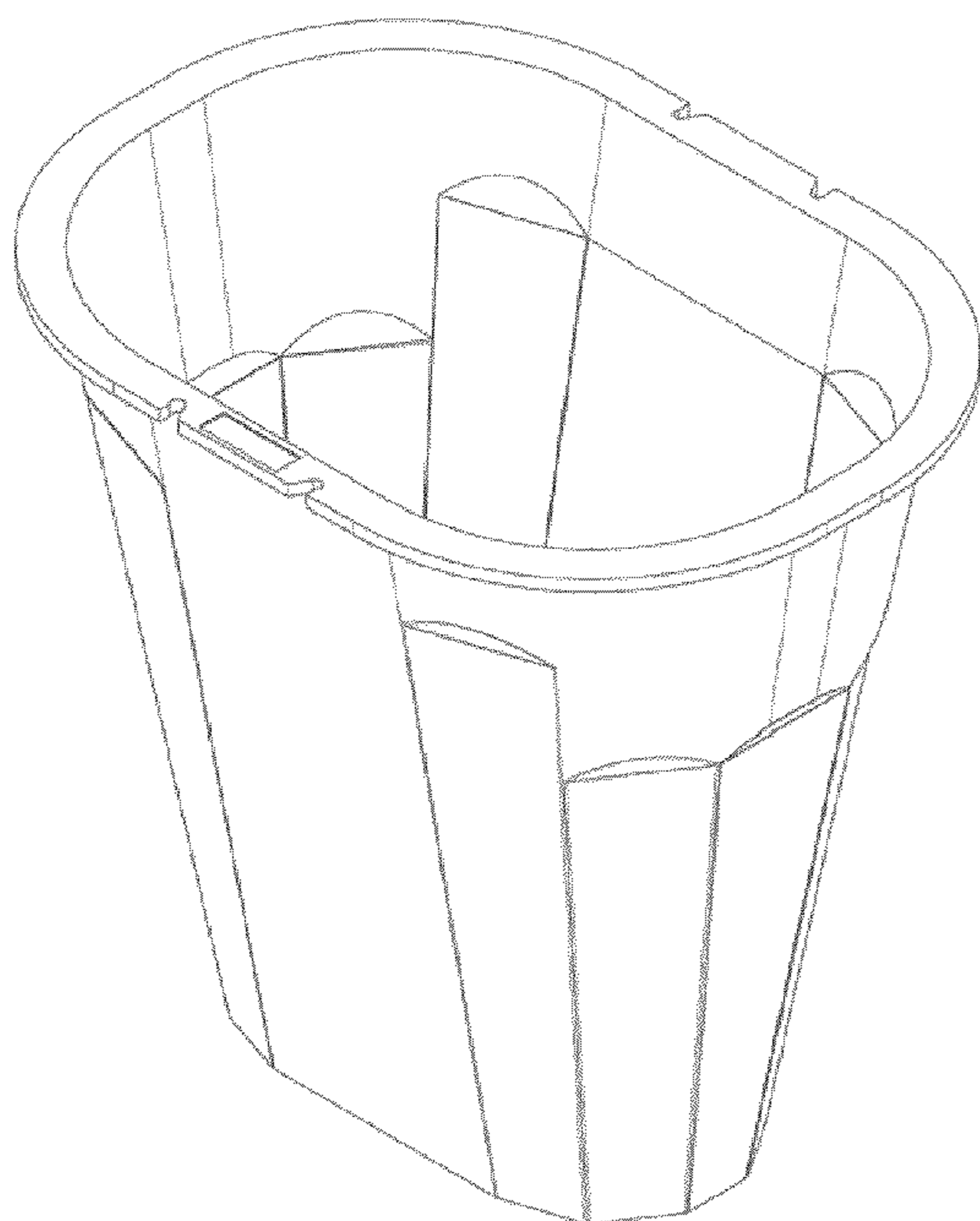
(57) **CLAIM**

The ornamental design for a telescopic chute, as shown and described.

DESCRIPTION

FIG. 1 is a top perspective of a telescopic chute,
FIG. 2 is a perspective view from below of the telescopic chute of FIG. 1,
FIG. 3 is a side view of the telescopic chute of FIG. 1,
FIG. 4 is an opposite side view of the telescopic chute of FIG. 1,
FIG. 5 is a top view of the telescopic chute of FIG. 1, and,
FIG. 6 is a bottom view of the telescopic chute of FIG. 1.

1 Claim, 6 Drawing Sheets



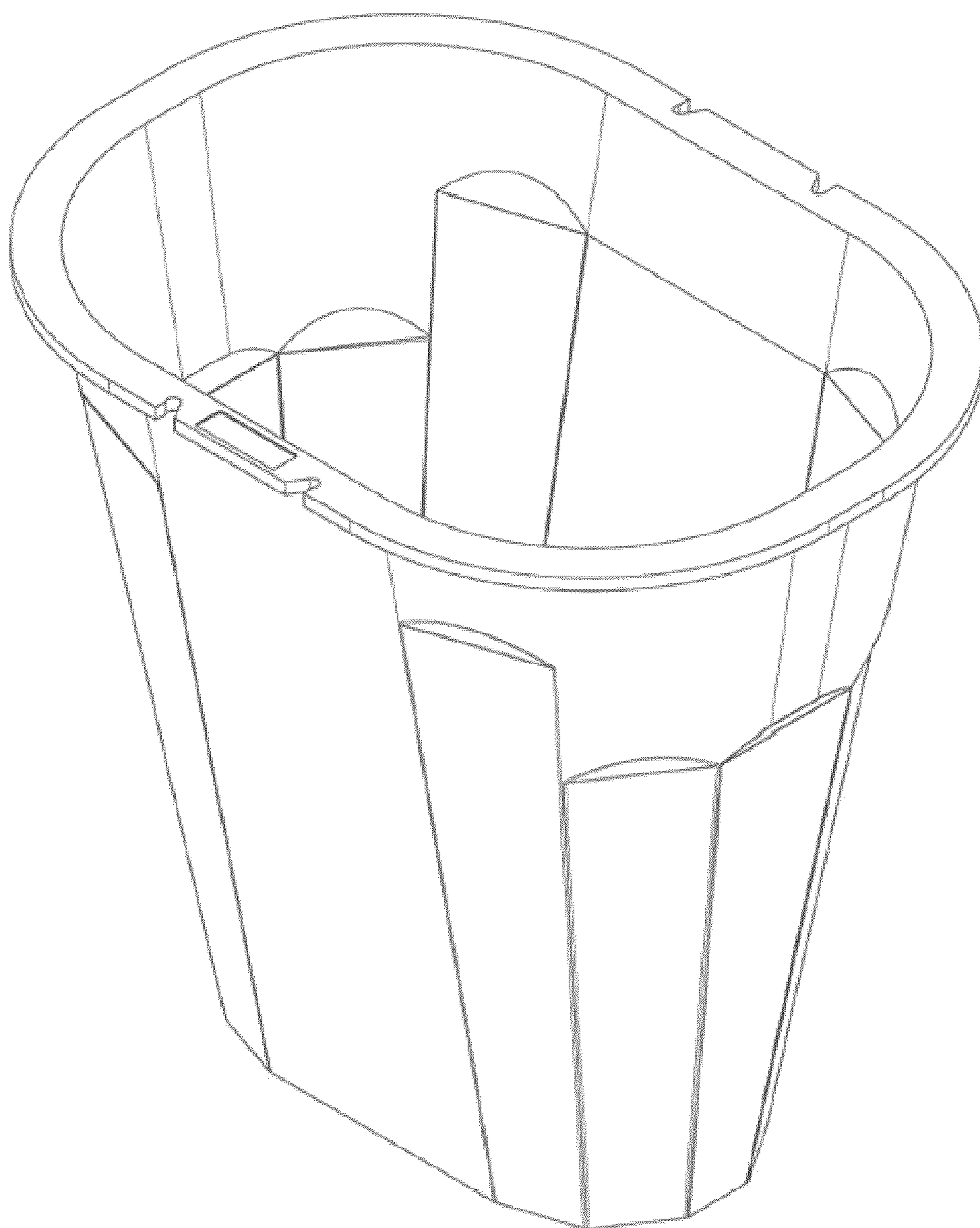


Fig. 1

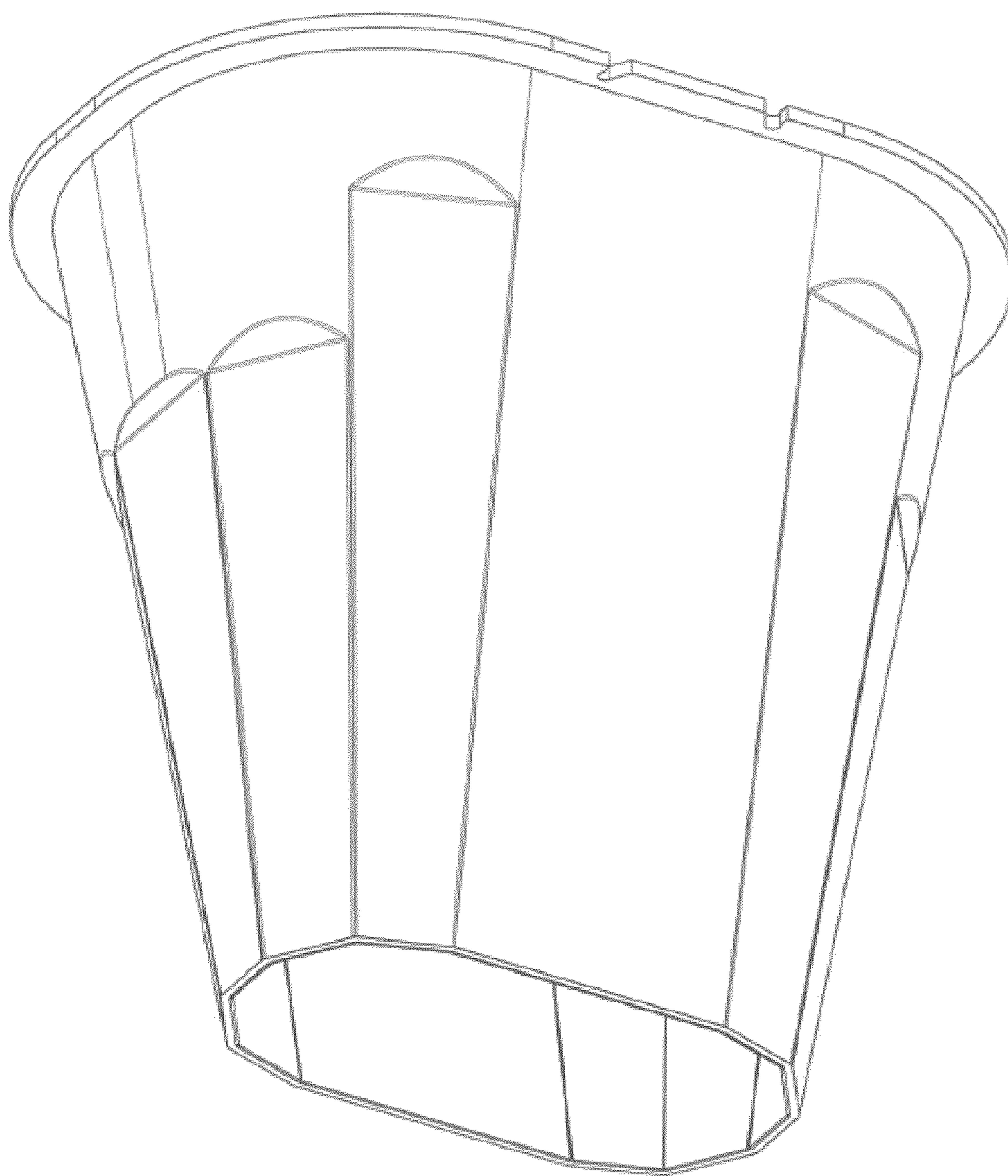


Fig. 2

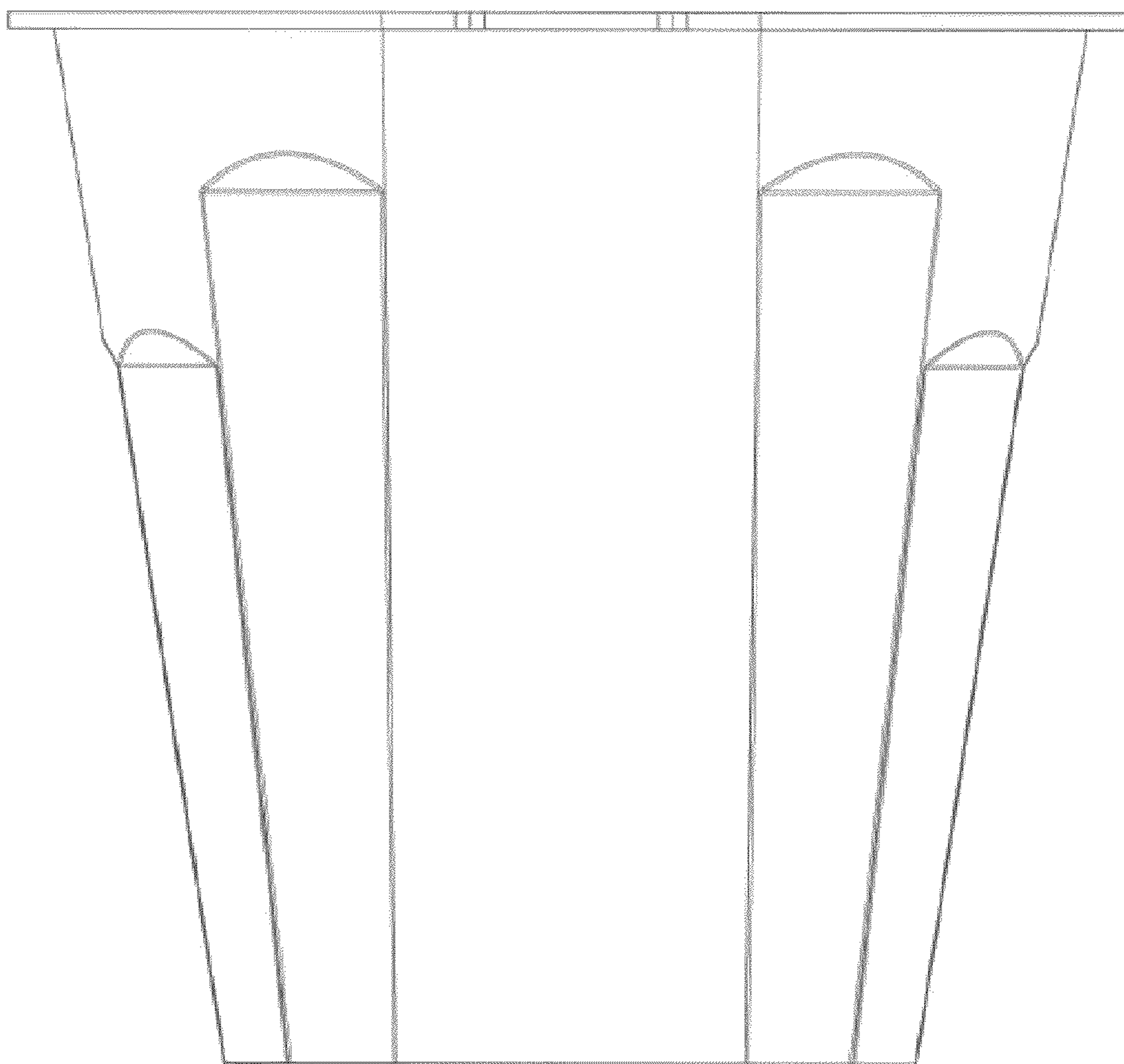


Fig. 3

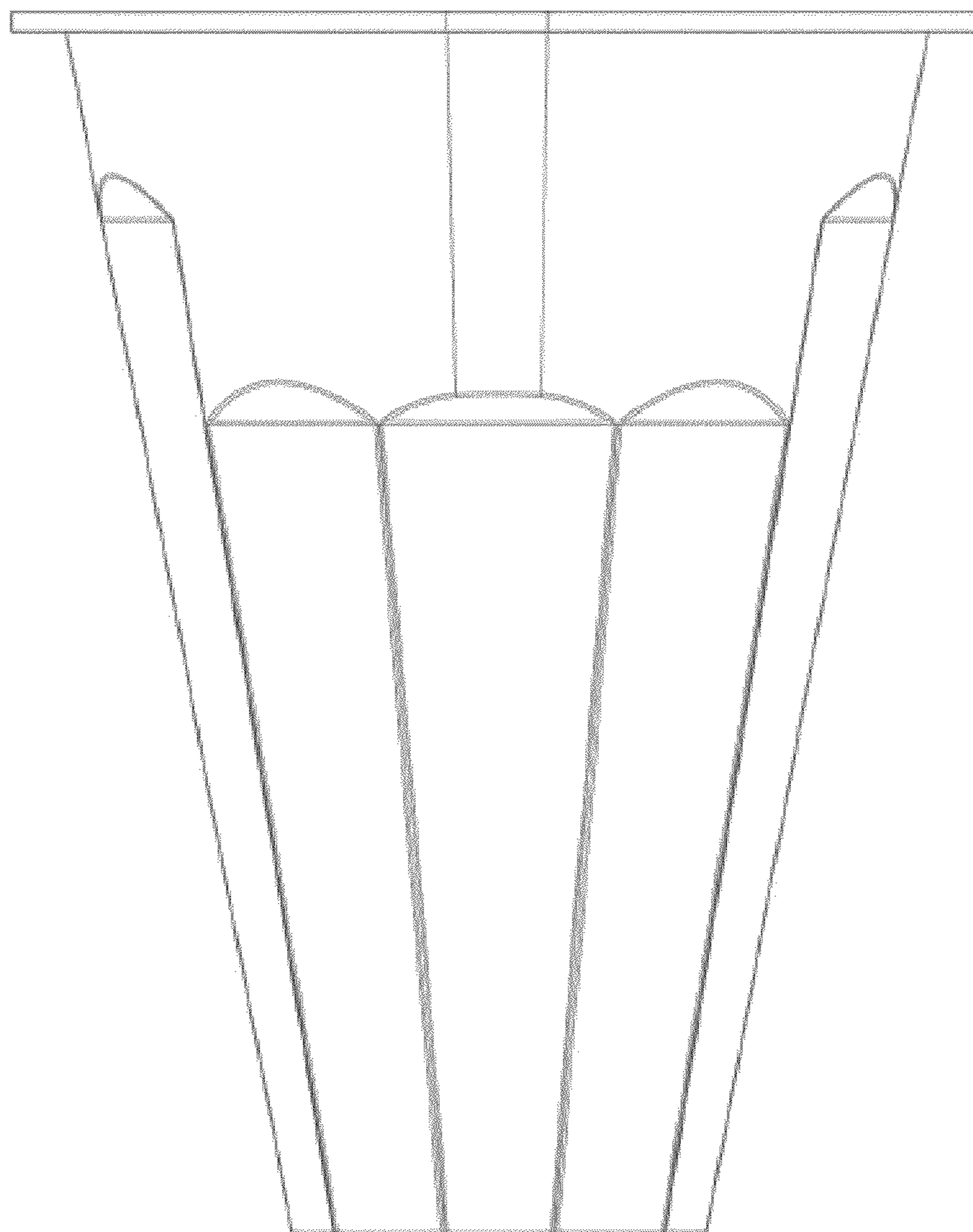


Fig. 4

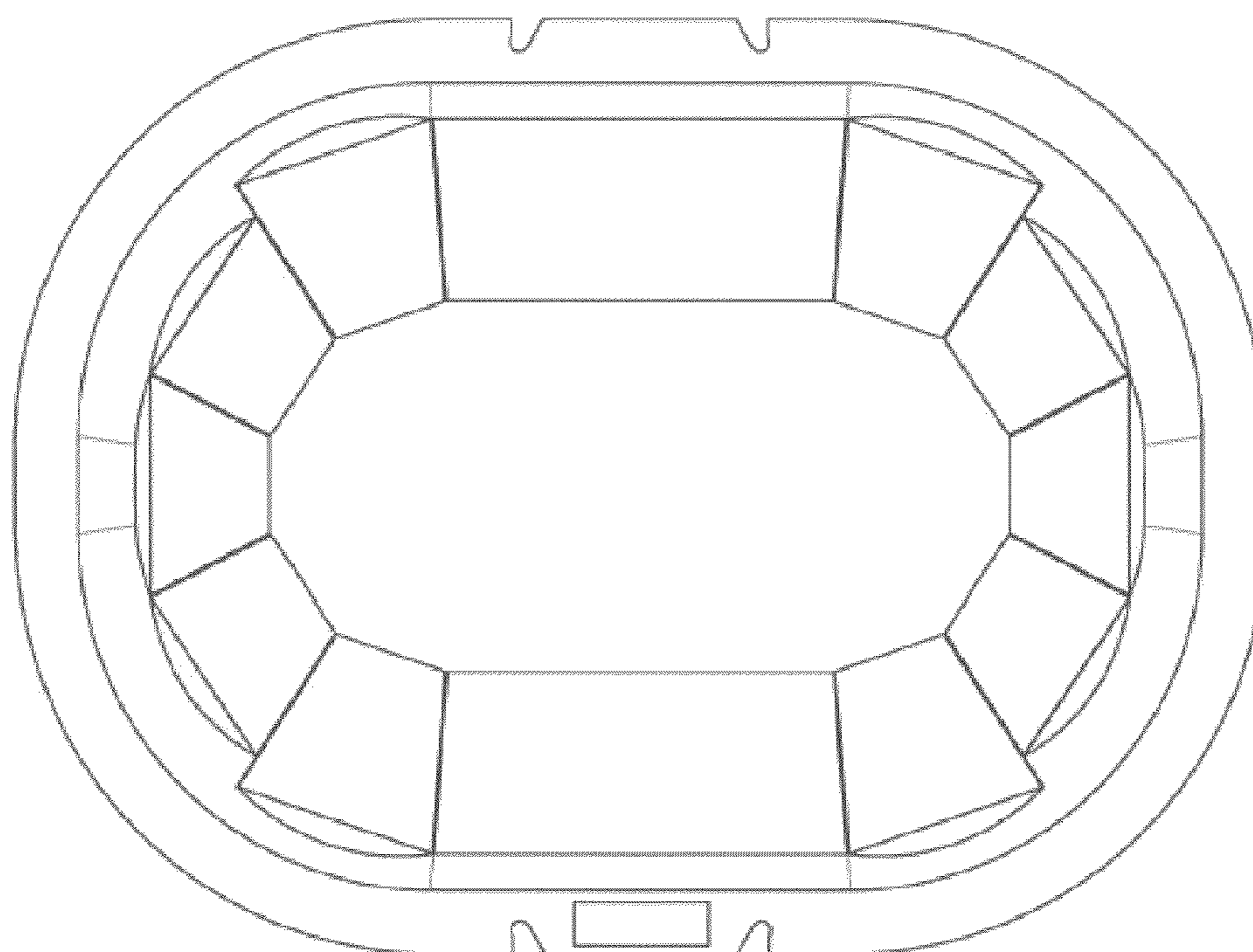


Fig. 5

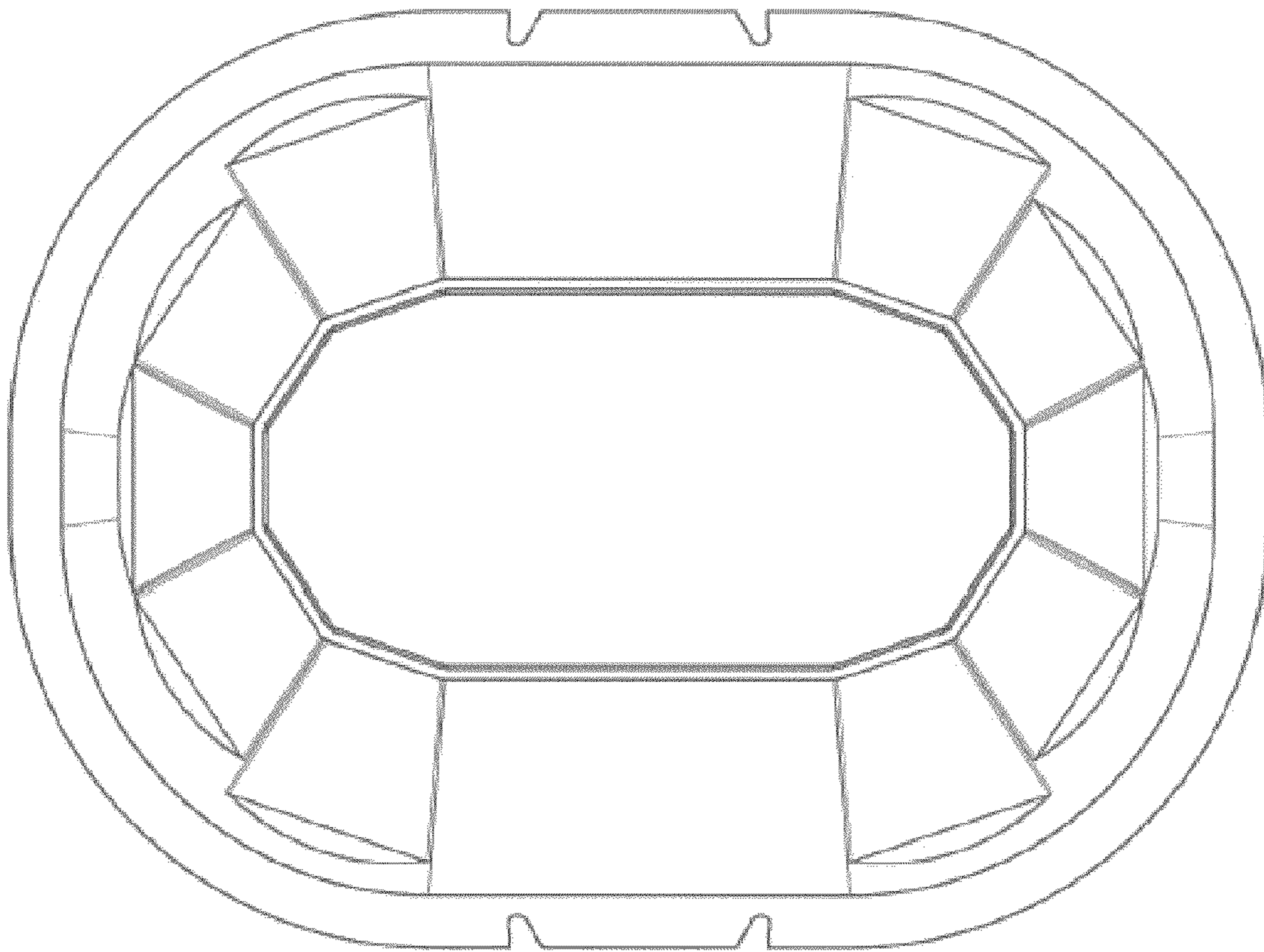


Fig. 6