



US00D743456S

(12) **United States Design Patent**
Shinozaki et al.

(10) **Patent No.:** **US D743,456 S**

(45) **Date of Patent:** **** Nov. 17, 2015**

(54) **DRESSER DISK**

(71) Applicant: **Ebara Corporation**, Tokyo (JP)

(72) Inventors: **Hiroyuki Shinozaki**, Tokyo (JP);
Toshiro Maekawa, Tokyo (JP)

(73) Assignee: **EBARA CORPORATION**, Tokyo (JP)

(**) Term: **14 Years**

(21) Appl. No.: **29/450,948**

(22) Filed: **Mar. 26, 2013**

(30) **Foreign Application Priority Data**

Sep. 26, 2012 (JP) 2012-23352
Sep. 26, 2012 (JP) 2012-23353
Sep. 26, 2012 (JP) 2012-23354

(51) **LOC (10) Cl.** **15-09**

(52) **U.S. Cl.**
USPC **D15/126**

(58) **Field of Classification Search**

USPC D8/62, 63; D14/299, 363, 368;
D15/122, 124, 125, 126; 15/88.2, 88.3,
15/102, 256.51; 51/7, 41; 144/16; 369/72;
451/2, 59, 60, 63, 72, 254, 258-262,
451/283, 287, 290, 291, 359, 446, 451, 459,
451/460

See application file for complete search history.

(56) **References Cited**

U.S. PATENT DOCUMENTS

2,225,193 A * 12/1940 Benner et al. 451/542
2,442,129 A * 5/1948 Hollstrom 451/548

(Continued)

FOREIGN PATENT DOCUMENTS

WO 2012122186 A2 9/2012

OTHER PUBLICATIONS

Japanese Office action for Application No. JP2012-023350 dated May 16, 2013.

Primary Examiner — Patricia Palasik

(74) *Attorney, Agent, or Firm* — Pearne & Gordon LLP

(57) **CLAIM**

The ornamental design for a dresser disk, as shown and described.

DESCRIPTION

FIG. 1 is a perspective view of a first dresser disk showing our new design;

FIG. 2 is a top view thereof;

FIG. 3 is a bottom view thereof;

FIG. 4 is a front elevation view thereof, a rear elevation view being identical thereto;

FIG. 5 is a right side view thereof, a left side view being identical thereto;

FIG. 6 is a cross section view taken along the line 6-6 of FIG. 2 thereof;

FIG. 7 is a perspective view of a second dresser disk showing our new design;

FIG. 8 is a top view thereof;

FIG. 9 is a bottom view thereof;

FIG. 10 is a front elevation view thereof, a rear elevation view being identical thereto;

FIG. 11 is a right side view thereof, a left side view being identical thereto;

FIG. 12 is a cross section view taken along the line 6-6 of FIG. 8 thereof;

FIG. 13 is a perspective view of a third dresser disk showing our new design;

FIG. 14 is a top view thereof;

FIG. 15 is a bottom view thereof;

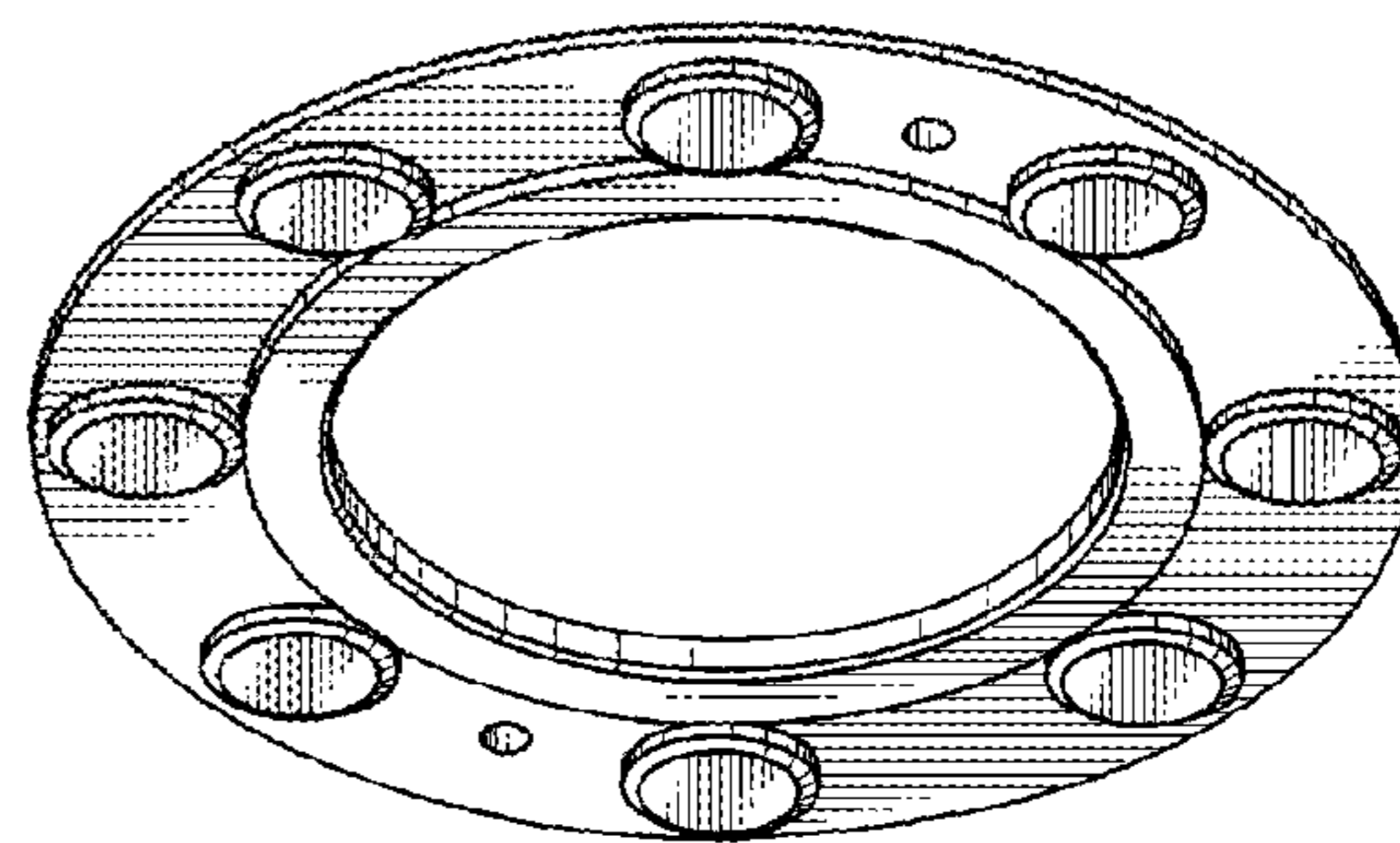
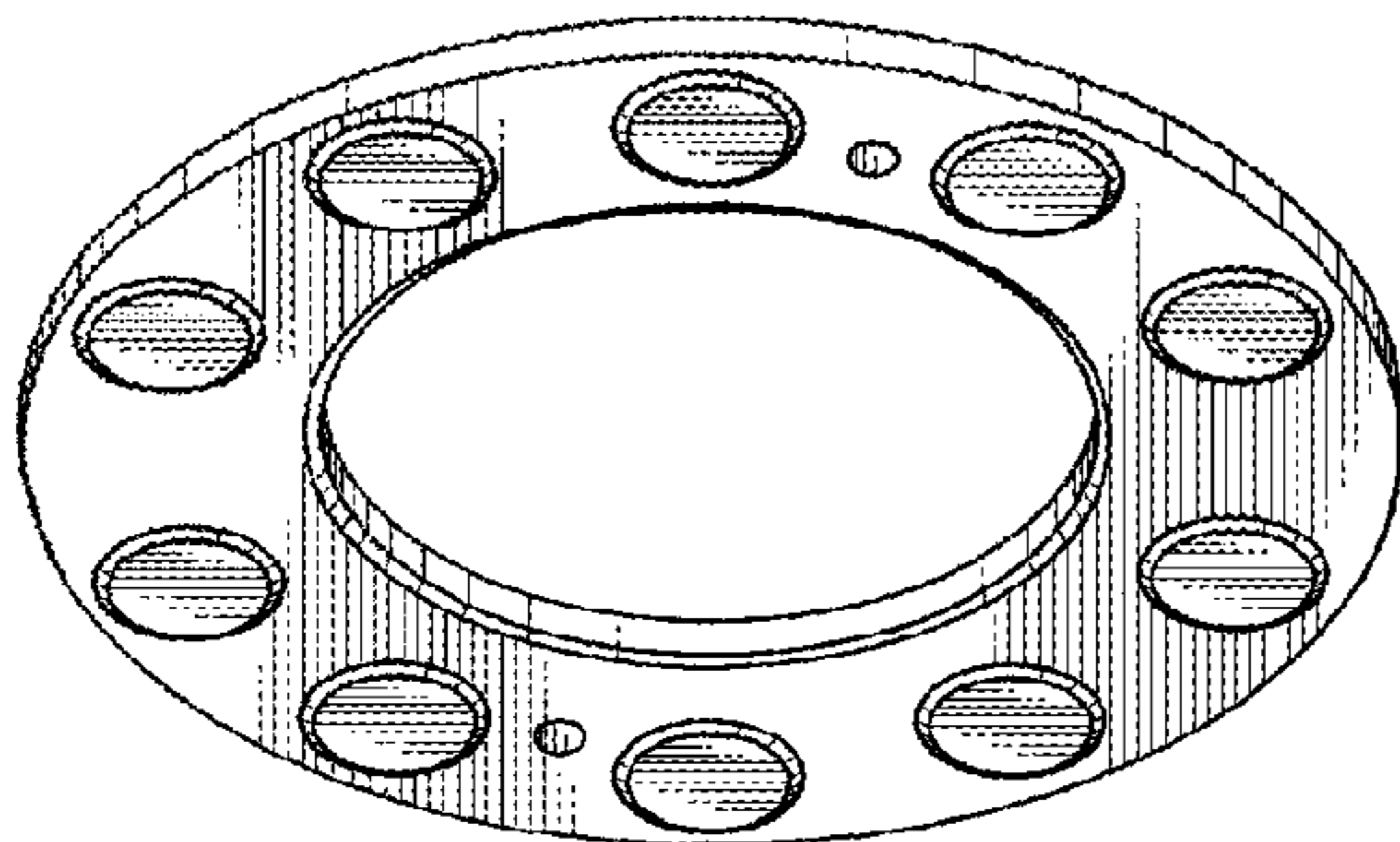
FIG. 16 is a front elevation view thereof, a rear elevation view being identical thereto;

FIG. 17 is a right side view thereof, a left side view being identical thereto; and,

FIG. 18 is a cross section view taken along the line 6-6 of FIG. 14 thereof.

The particular cross-hatching patterns in FIGS. 6, 12 and 18 do not represent any particular materials.

1 Claim, 6 Drawing Sheets



(56)

References Cited

U.S. PATENT DOCUMENTS

2,799,977	A *	7/1957	Jones et al.	451/244	6,267,645	B1 *	7/2001	Burga et al.	451/41
3,069,919	A *	12/1962	Schultz, Jr.	474/169	6,386,963	B1	5/2002	Kenji et al.	
3,121,982	A *	2/1964	Miller	451/548	6,602,119	B1	8/2003	Togawa et al.	
D243,664	S *	3/1977	Lyon	D15/138	7,131,900	B2 *	11/2006	Chou	451/520
5,782,682	A *	7/1998	Han et al.	451/548	7,175,514	B2 *	2/2007	Boyer et al.	451/389
					D654,384	S *	2/2012	McDonald	D10/66
					2008/0310932	A1 *	12/2008	McIntyre et al.	411/150

* cited by examiner

FIG. 1

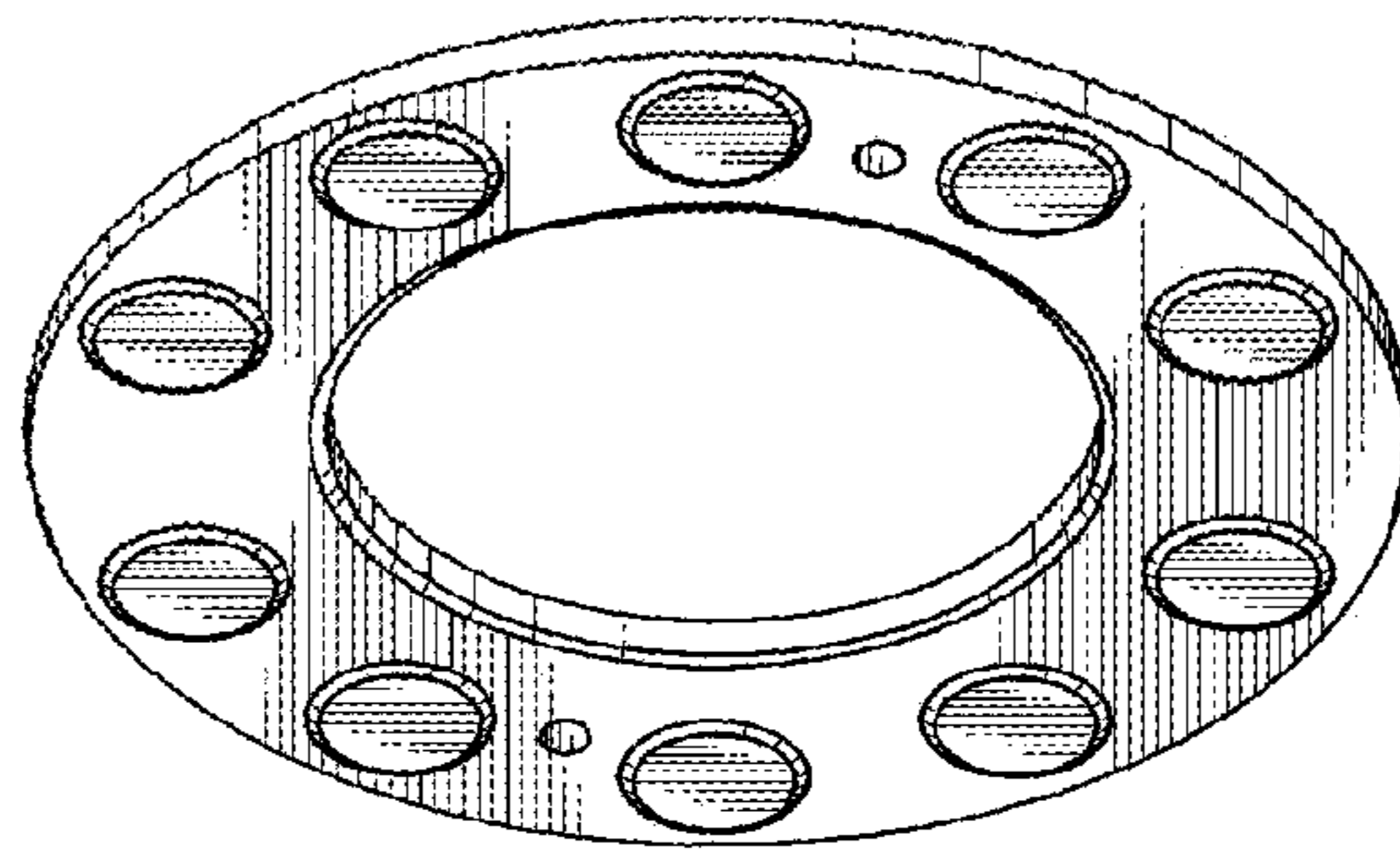


FIG. 2

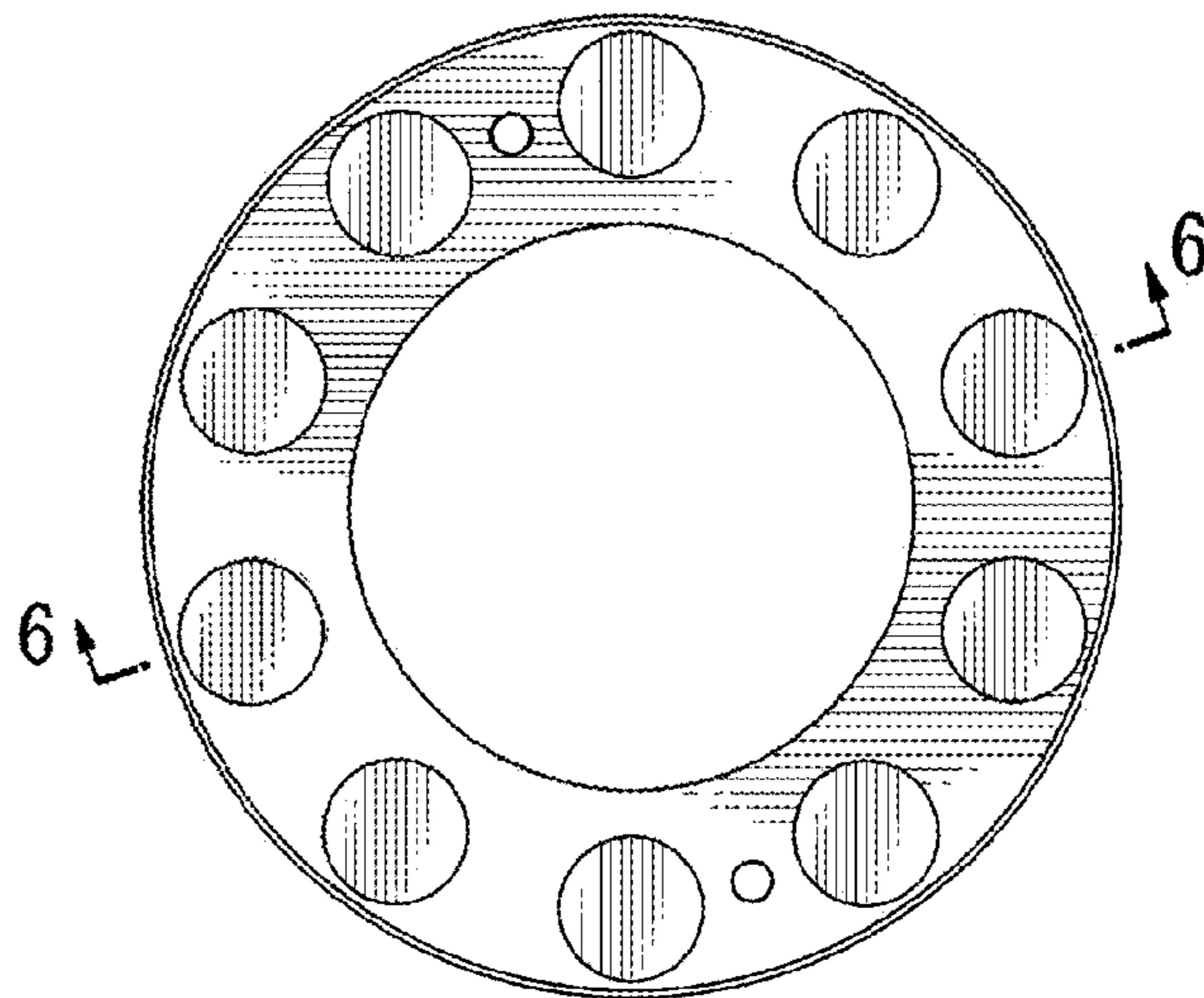


FIG. 3

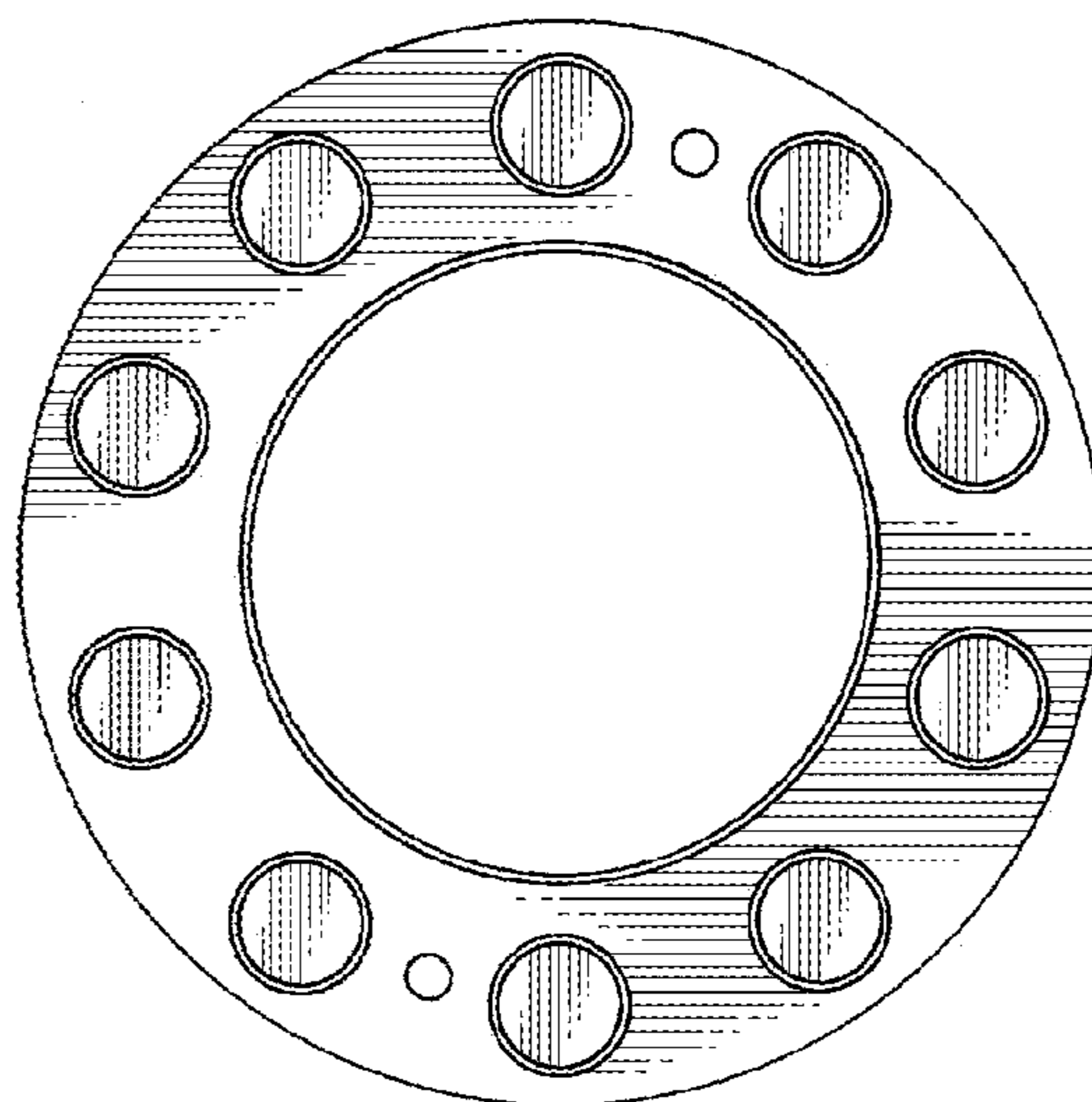


FIG. 4

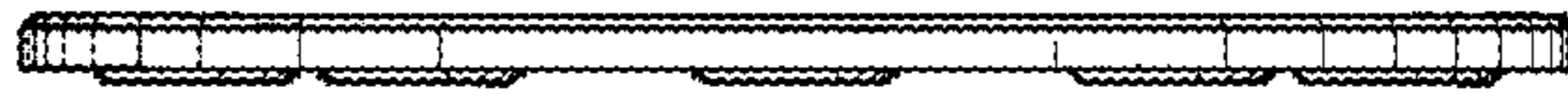


FIG. 5

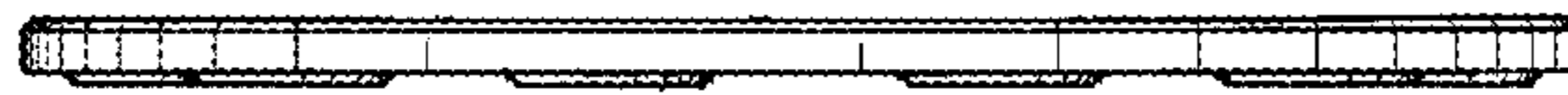


FIG. 6

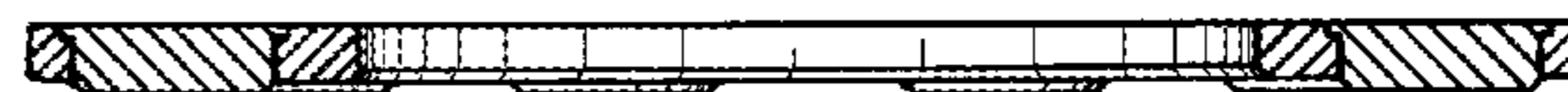


FIG. 7

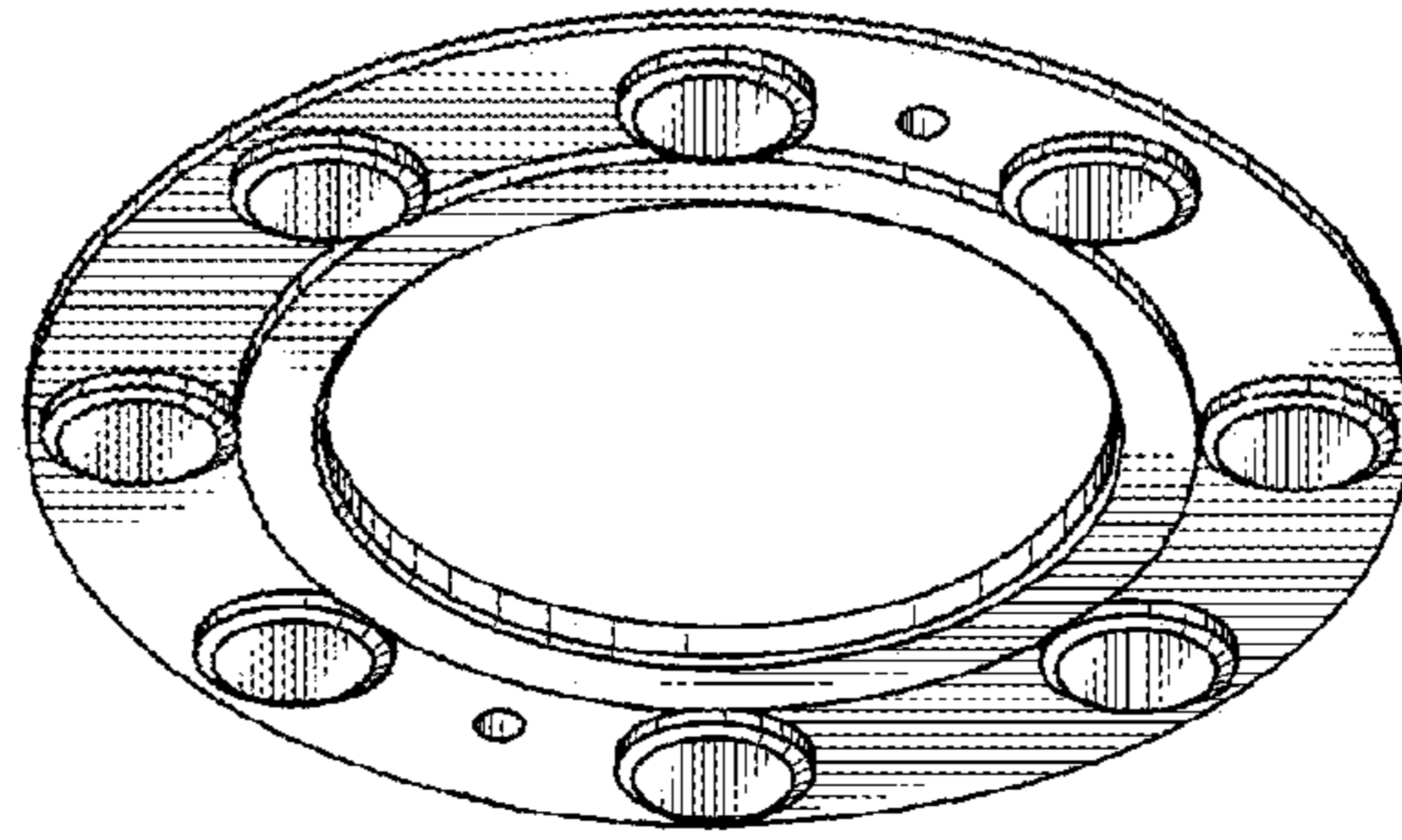


FIG. 8

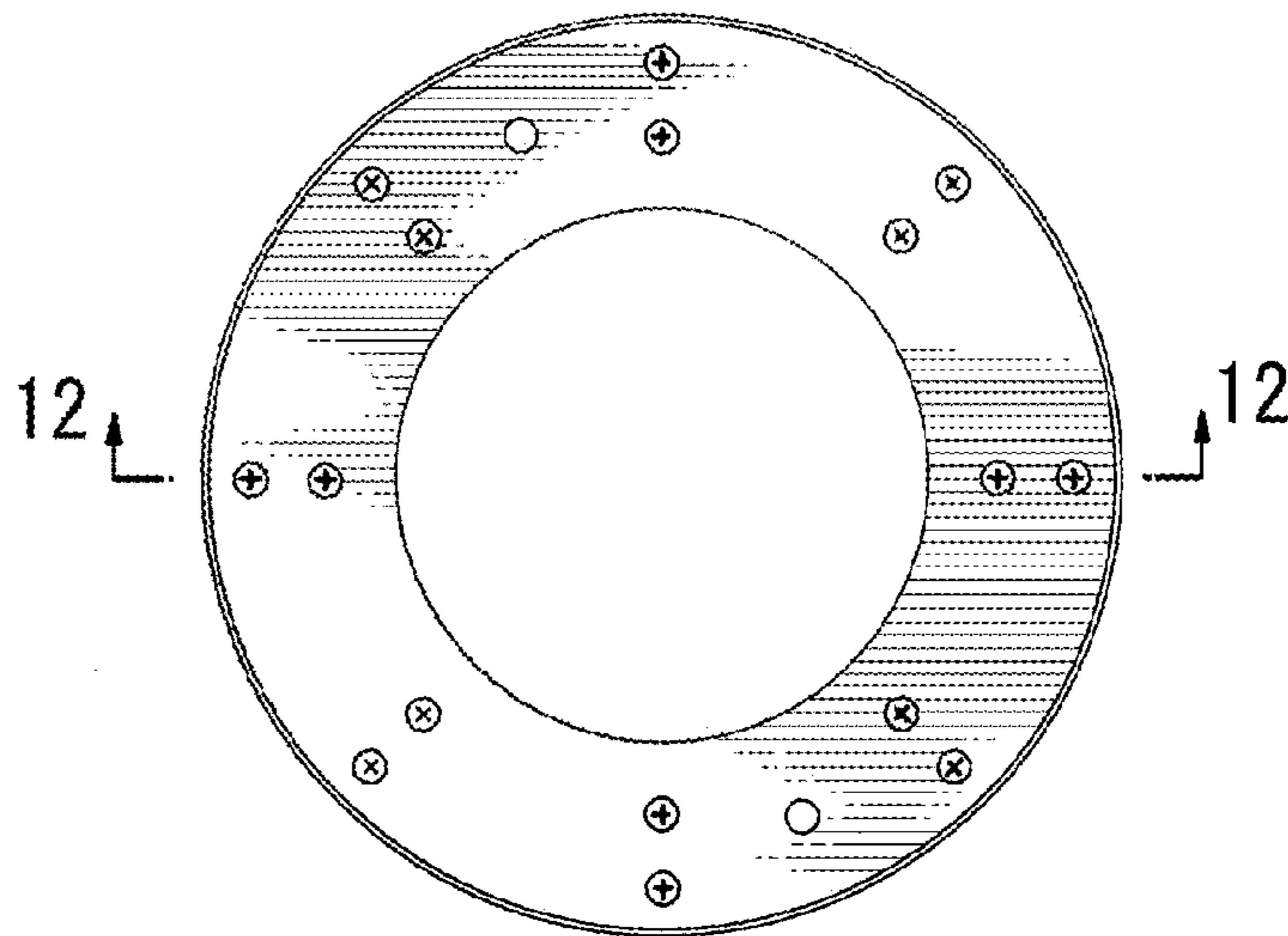


FIG. 9

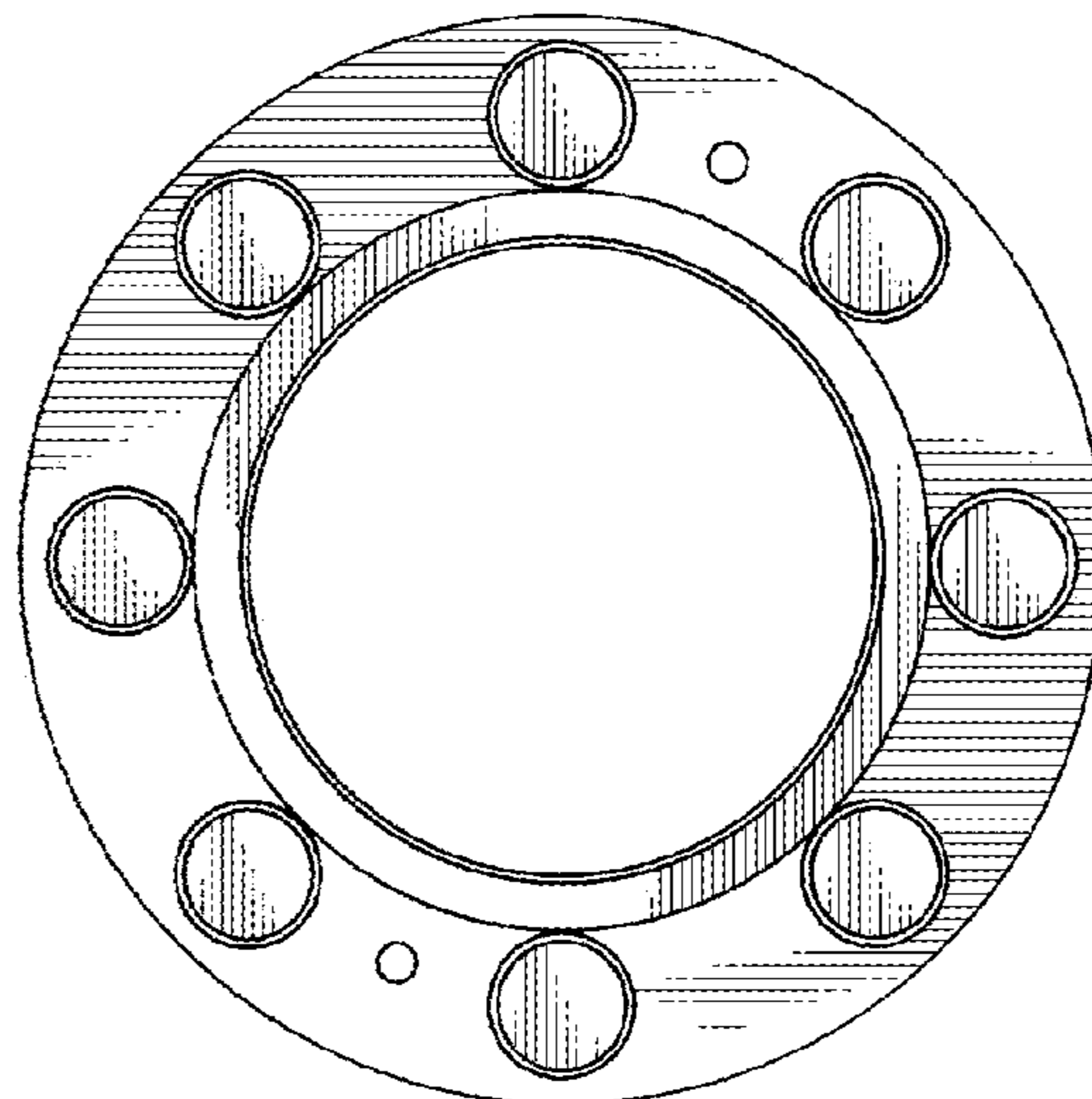


FIG. 10



FIG. 11

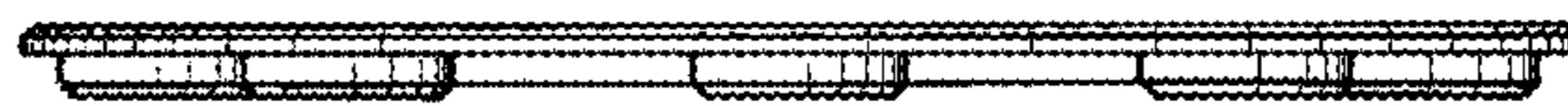


FIG. 12

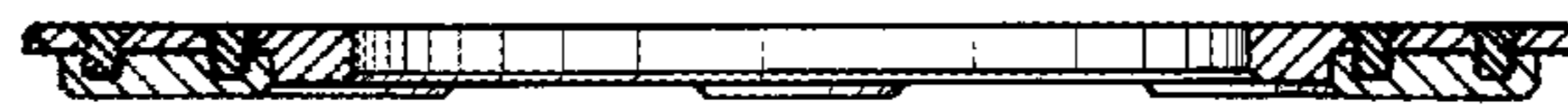


FIG. 13

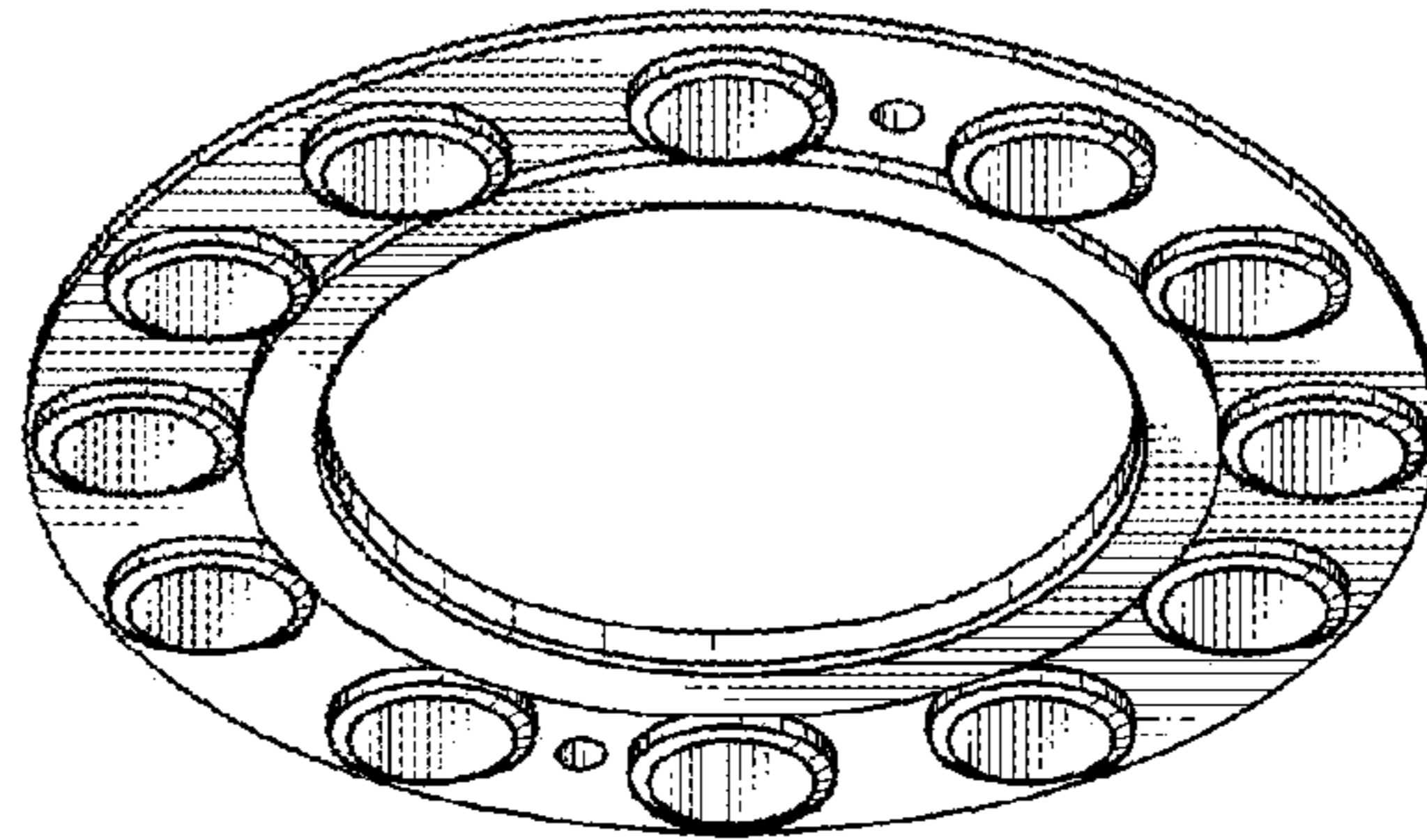


FIG. 14

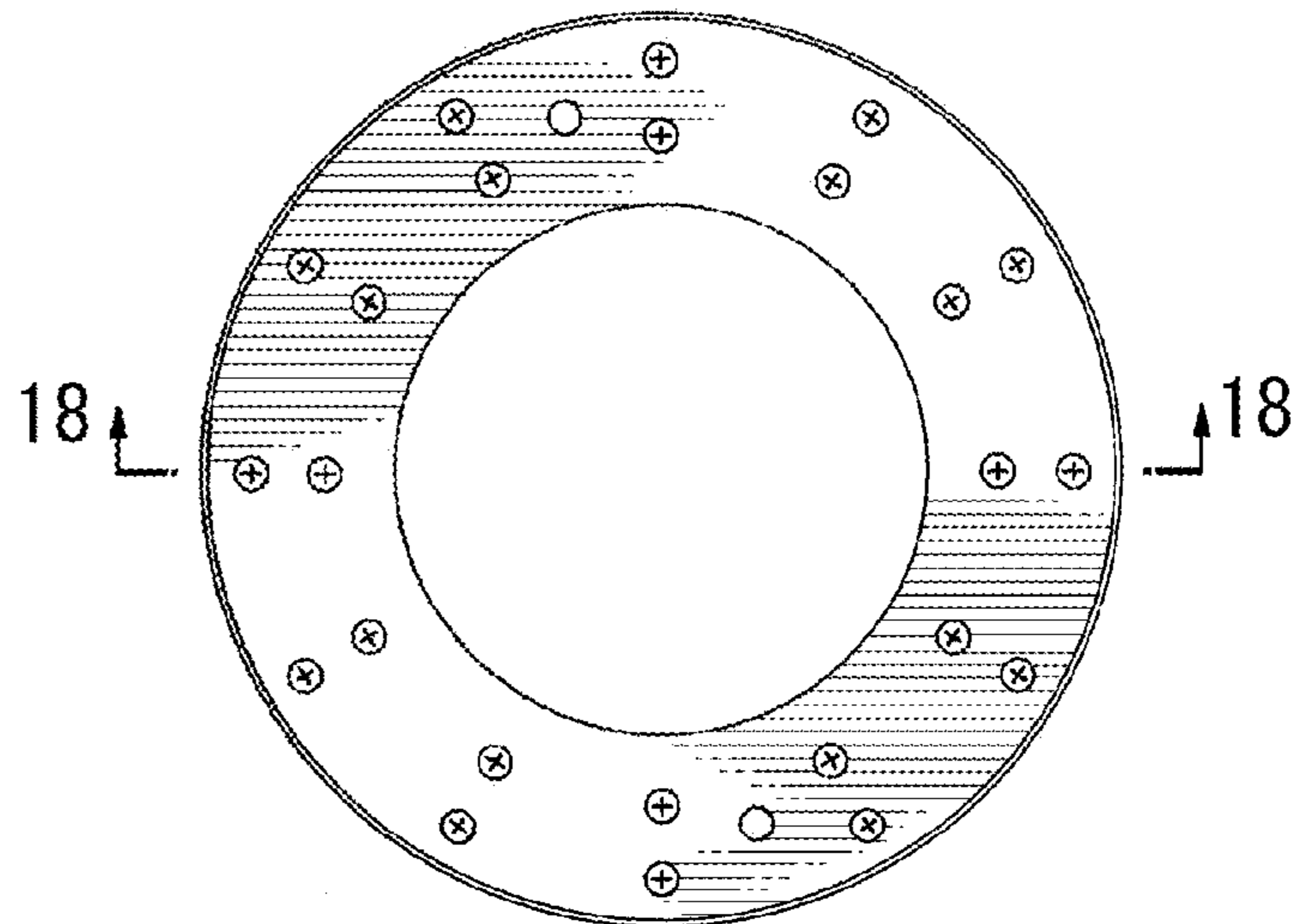


FIG. 15

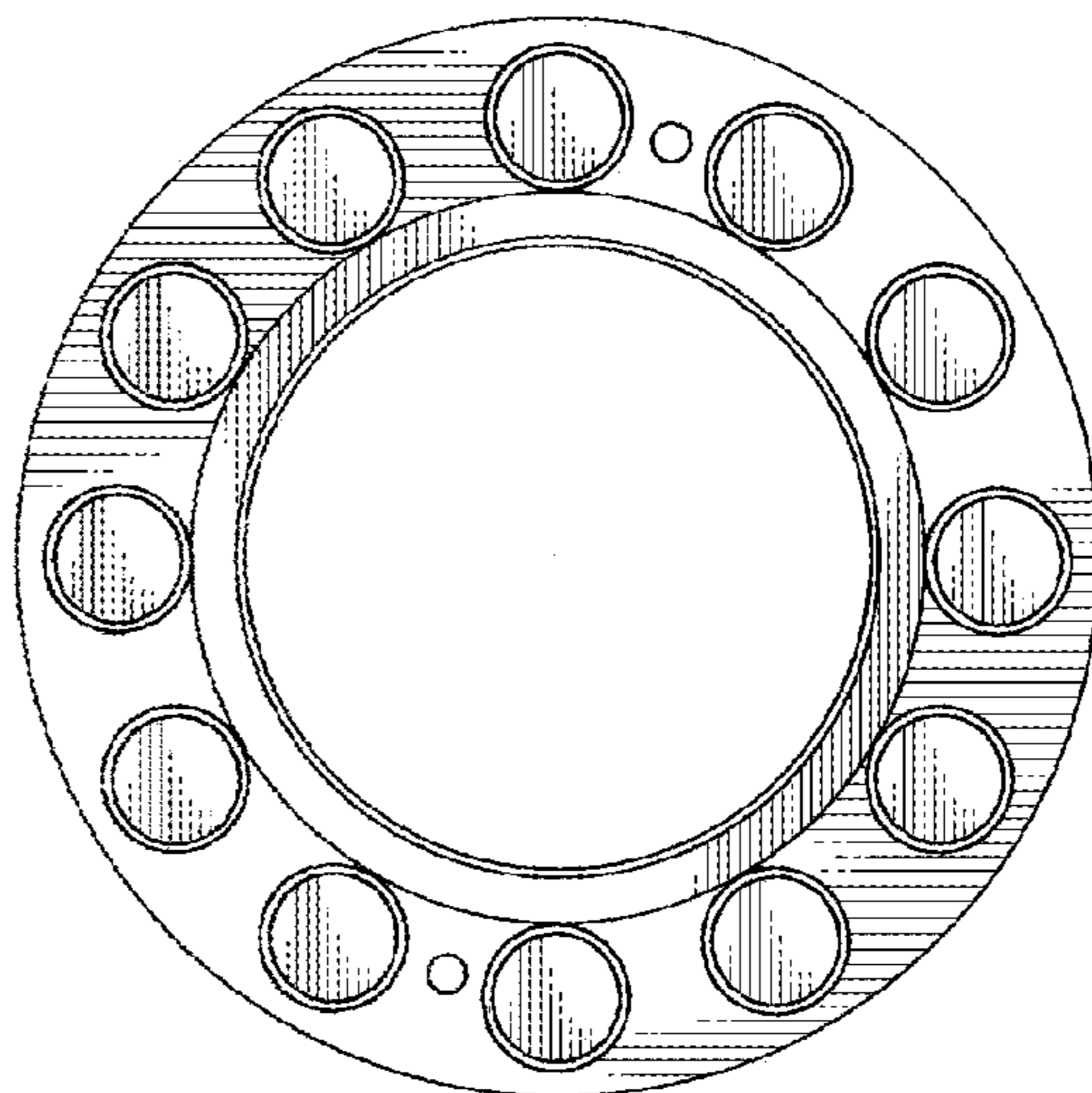


FIG. 16

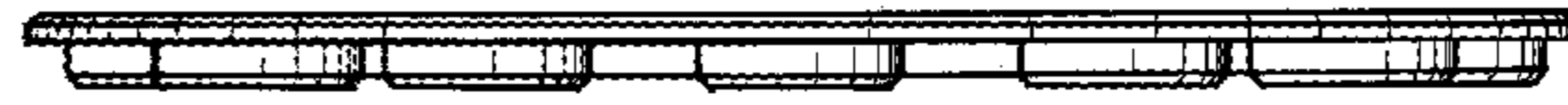


FIG. 17

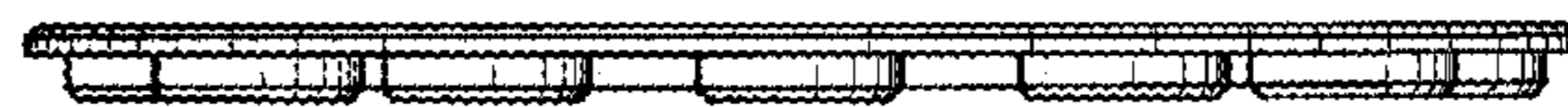


FIG. 18

