



US00D743454S

(12) **United States Design Patent**  
**Yeo et al.**

(10) **Patent No.:** **US D743,454 S**

(45) **Date of Patent:** **\*\* Nov. 17, 2015**

(54) **GUIDE FOR DRAWER OF REFRIGERATOR**

(71) Applicant: **LG Electronics Inc.**, Seoul (KR)

(72) Inventors: **Insun Yeo**, Seoul (KR); **Seonkyu Kim**,  
Seoul (KR); **Seongahn Jeon**, Seoul (KR)

(73) Assignee: **LG Electronics Inc.**, Seoul (KR)

(\*\*) Term: **14 Years**

(21) Appl. No.: **29/497,192**

(22) Filed: **Jul. 22, 2014**

(30) **Foreign Application Priority Data**

Jan. 22, 2014 (KR) ..... 30-2014-0003740

(51) **LOC (10) Cl.** ..... **15-07**

(52) **U.S. Cl.**  
USPC ..... **D15/89**

(58) **Field of Classification Search**

USPC ..... D15/79-91

CPC ..... F25D 23/028; F25D 23/02; F25D 25/025;  
F25D 23/00; F25D 2323/021; F25D 11/00;  
F25D 2323/024; F25D 23/04; F25D 29/00;  
F25D 25/02; F25D 25/024; F25D 27/005;  
F25D 23/12; F25D 29/005; F25D 17/042;  
F25D 2325/021; F25D 2323/02

See application file for complete search history.

(56) **References Cited**

U.S. PATENT DOCUMENTS

D709,108	S	*	7/2014	Lee et al.	.....	D15/89
D709,533	S	*	7/2014	Park et al.	.....	D15/89
D719,194	S	*	12/2014	Lee et al.	.....	D15/89
D731,562	S	*	6/2015	You et al.	.....	D15/89

\* cited by examiner

*Primary Examiner* — Daniel Bui

*Assistant Examiner* — Khawaja Anwar

(74) *Attorney, Agent, or Firm* — Morgan, Lewis & Bockius LLP

(57) **CLAIM**

The ornamental design for a guide for drawer of refrigerator, as shown and described.

**DESCRIPTION**

FIG. 1 is a perspective view of a guide for drawer of refrigerator showing our new design;  
FIG. 2 is a front view thereof;  
FIG. 3 is a rear view thereof;  
FIG. 4 is a left side view thereof;  
FIG. 5 is a right side view thereof;  
FIG. 6 is a top plan view thereof;  
FIG. 7 is a bottom plan view thereof;  
FIG. 8 is a reference view thereof showing the state that the subject design has been installed inside the drawer of refrigerator; and  
FIG. 9 is a perspective view thereof, in use condition;  
FIG. 10 is a perspective view thereof, in an alternate use condition; and,  
FIG. 11 is a perspective view thereof, in an alternate use condition.

The broken line in the figure drawings represents unclaimed environment only and forms no part of the claimed design.

**1 Claim, 9 Drawing Sheets**

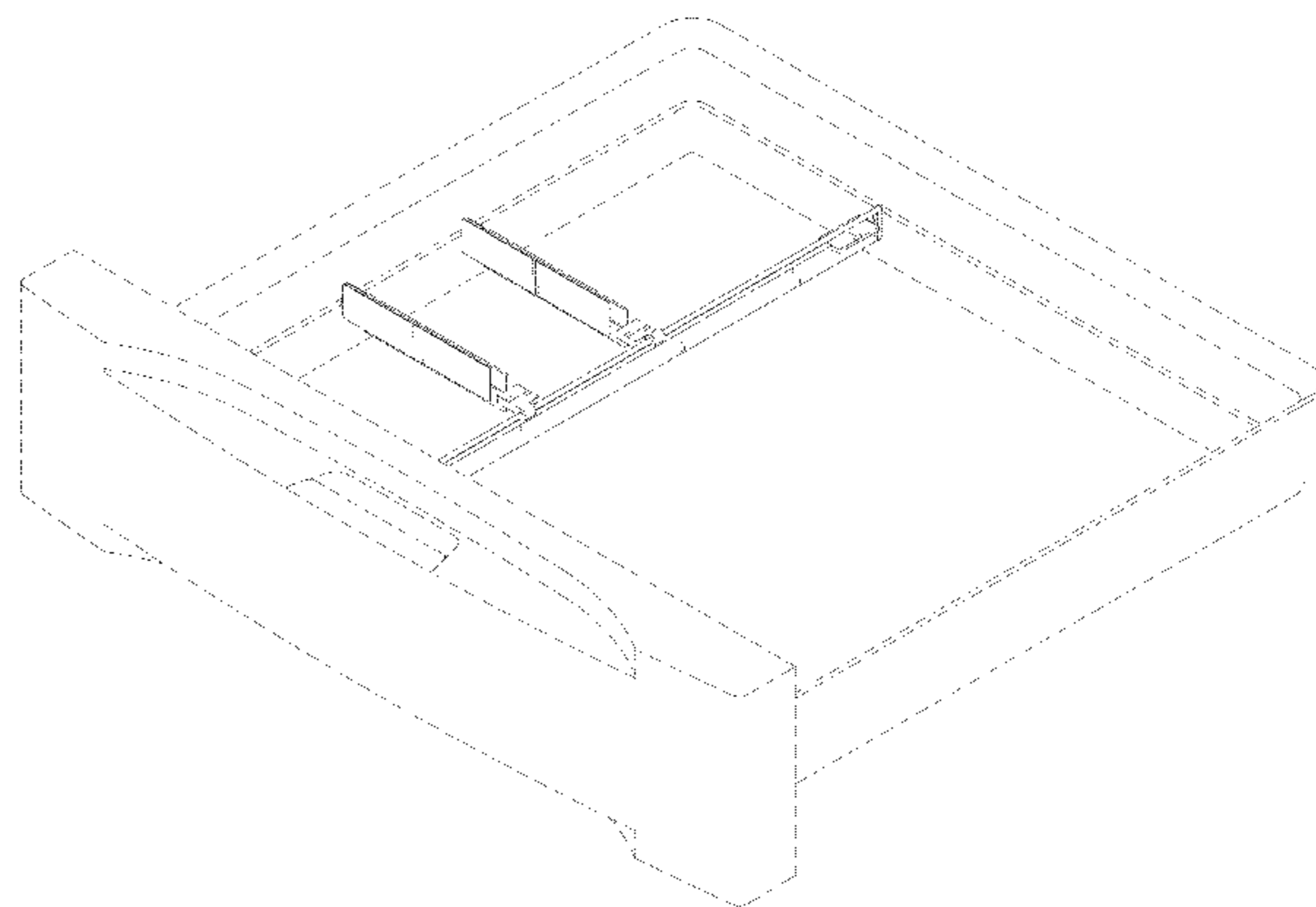
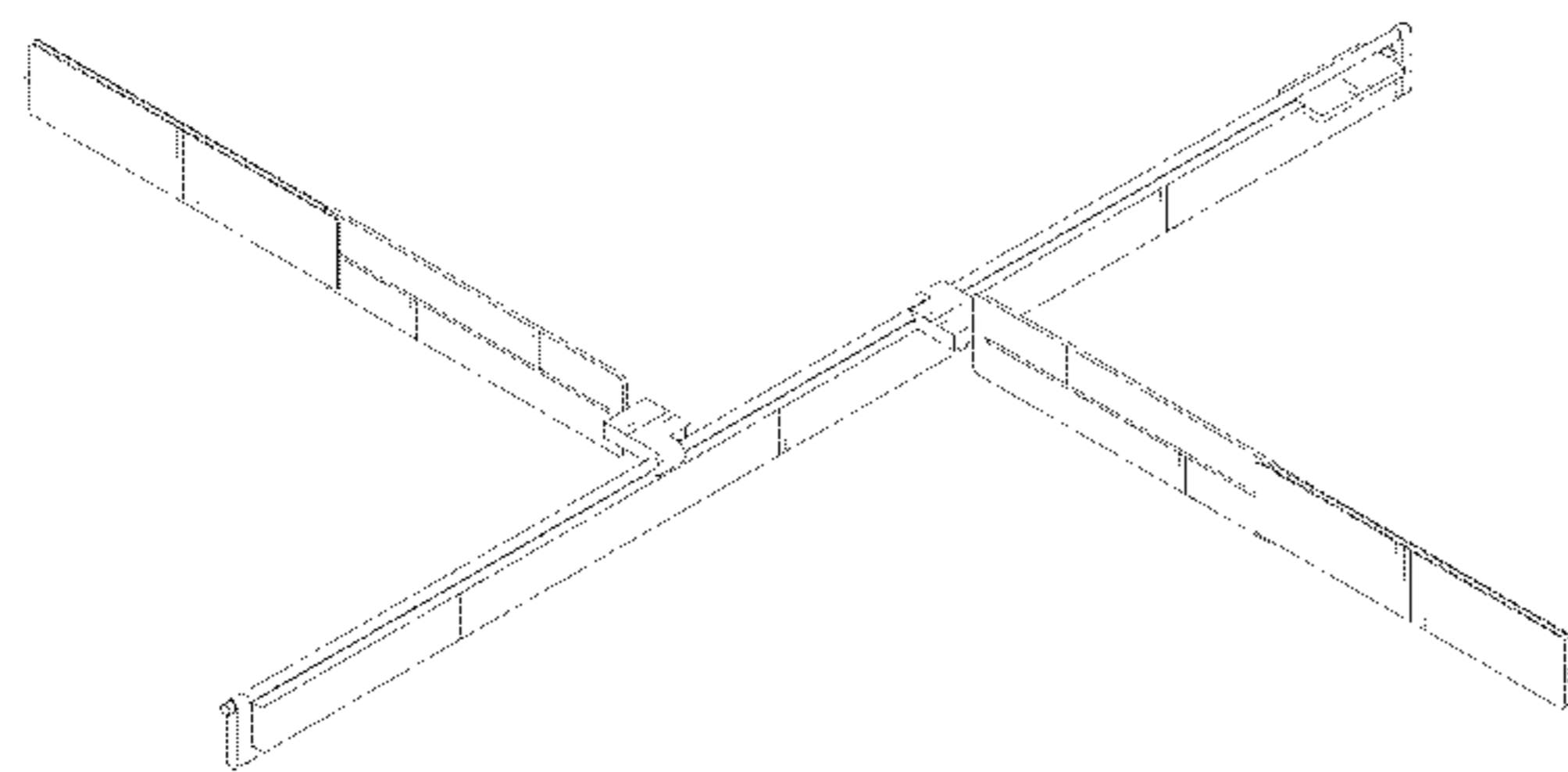


FIG. 1

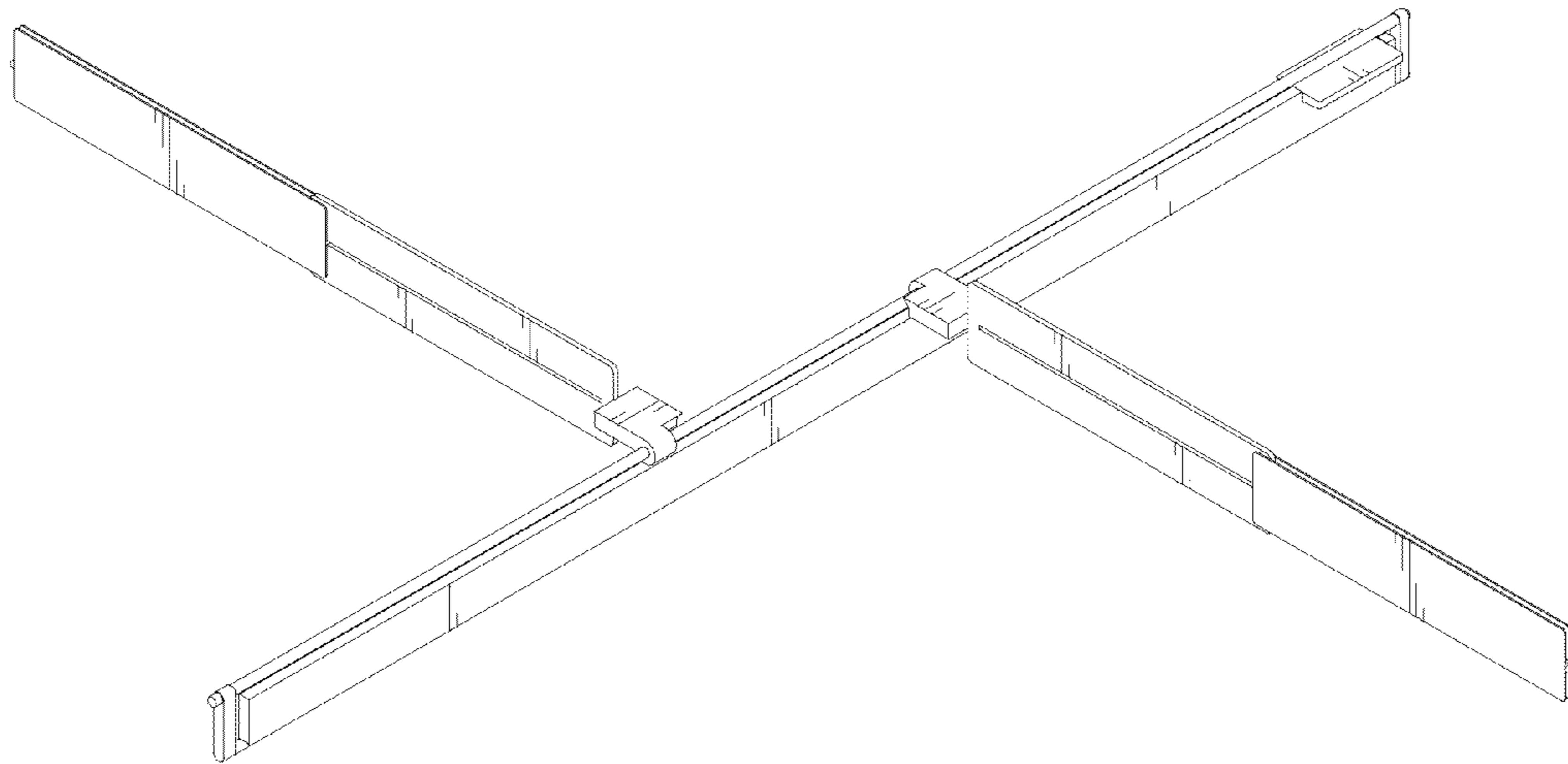


FIG. 2

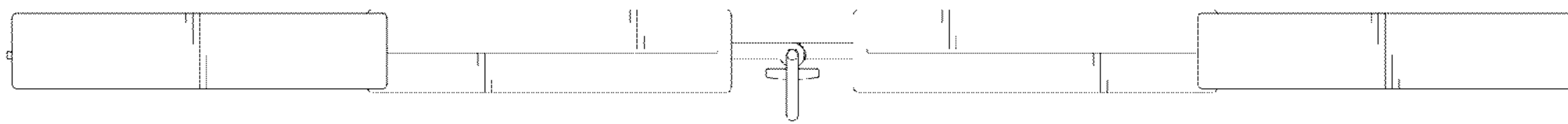


FIG. 3

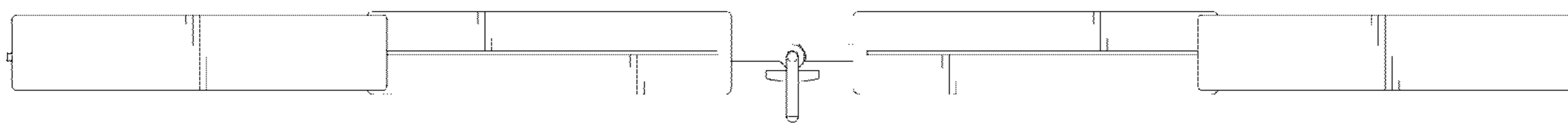


FIG. 4

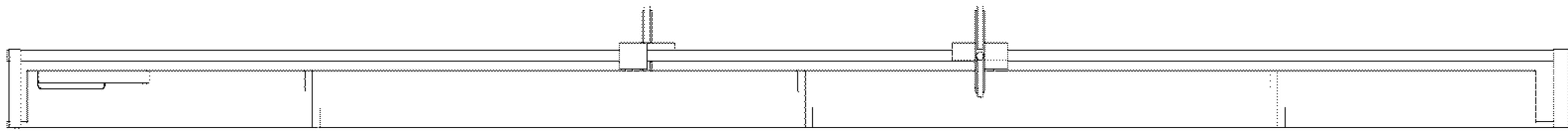


FIG. 5

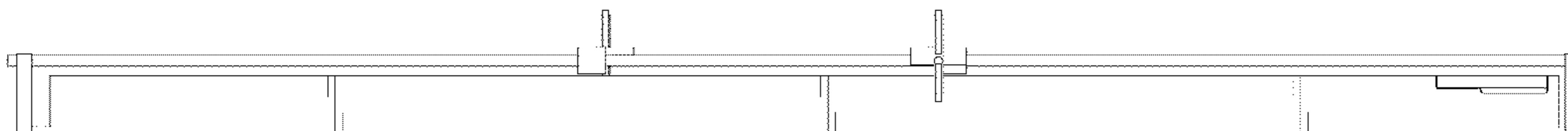


FIG. 6

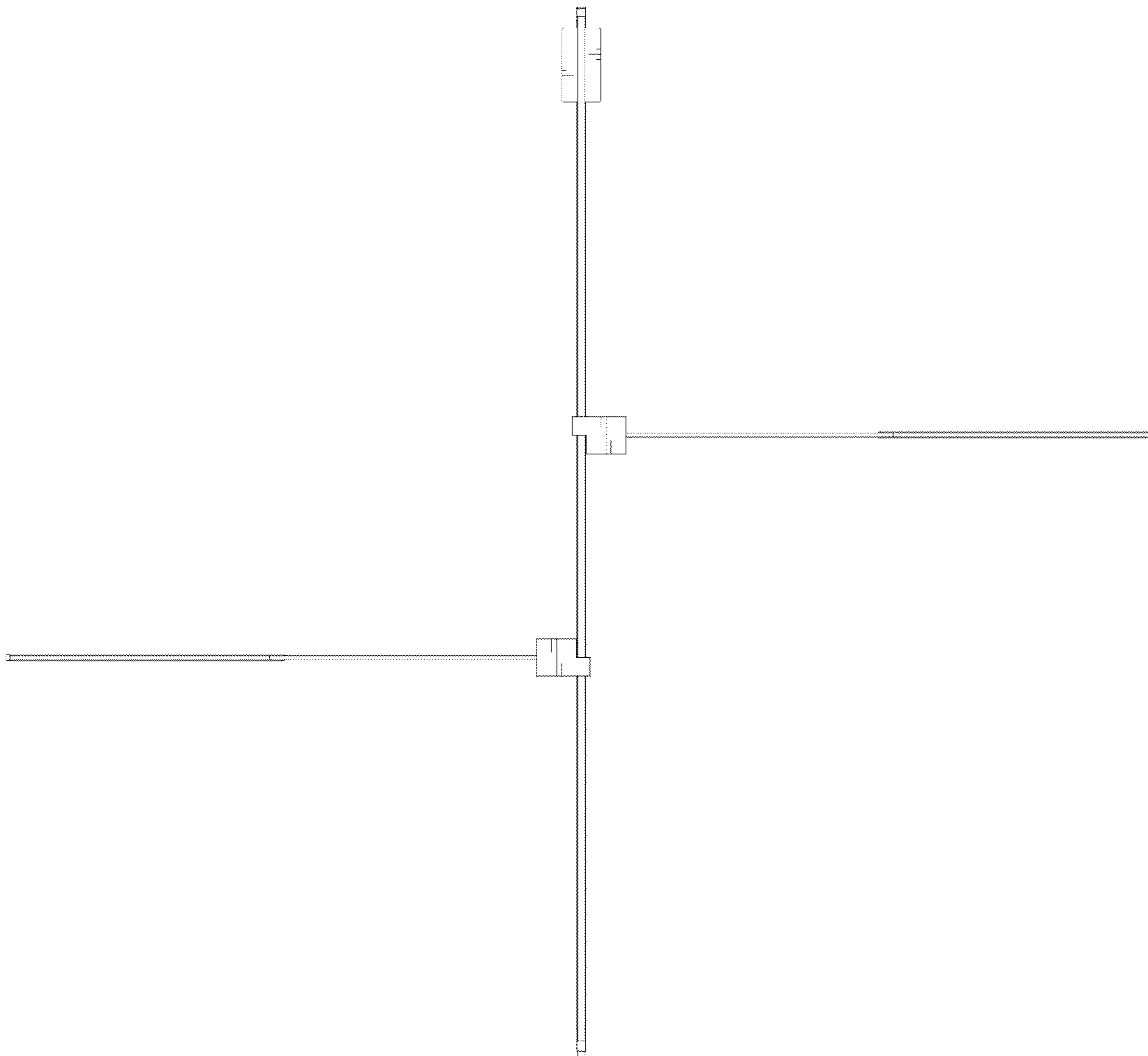


FIG. 7

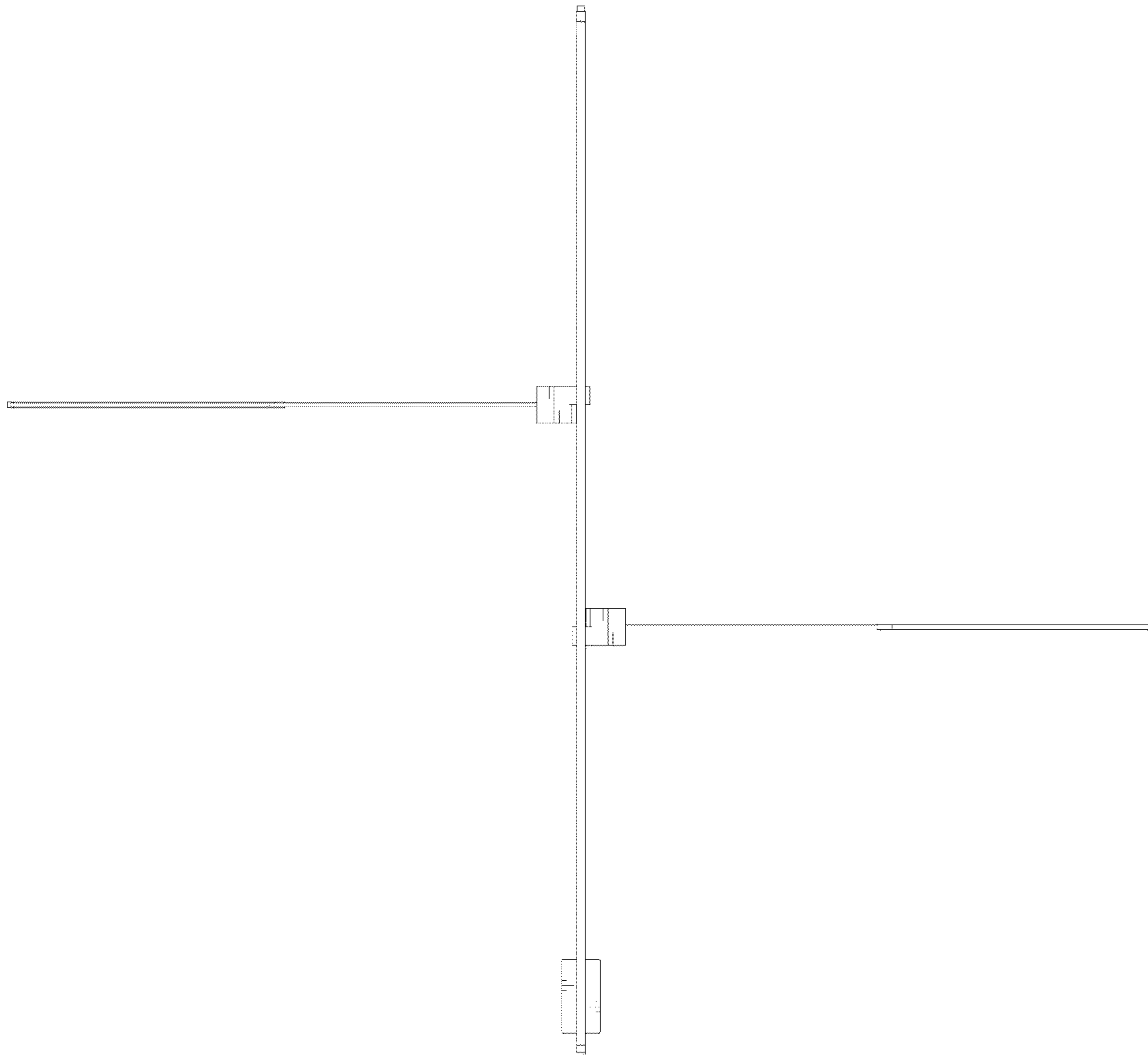


FIG. 8

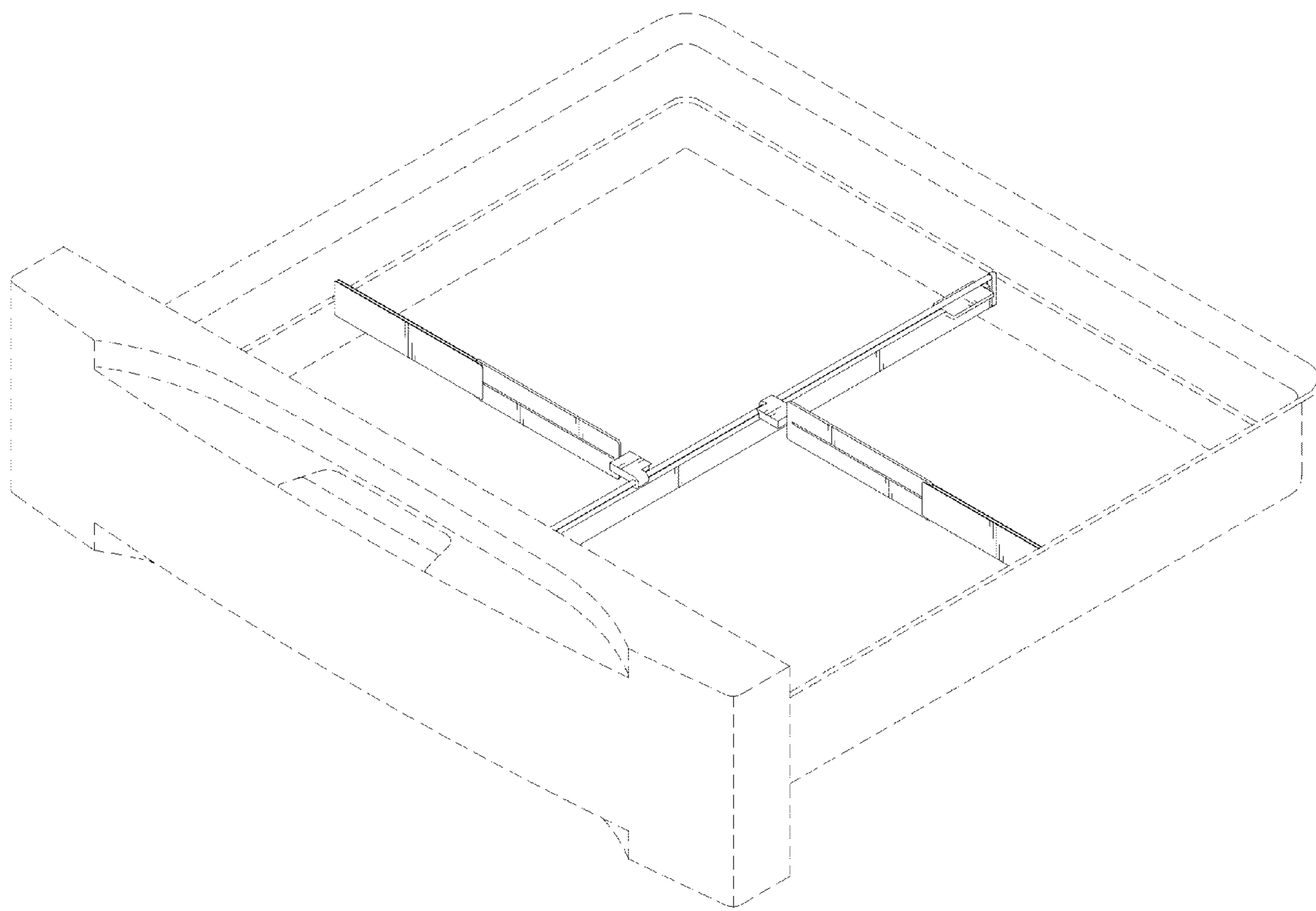


FIG. 9

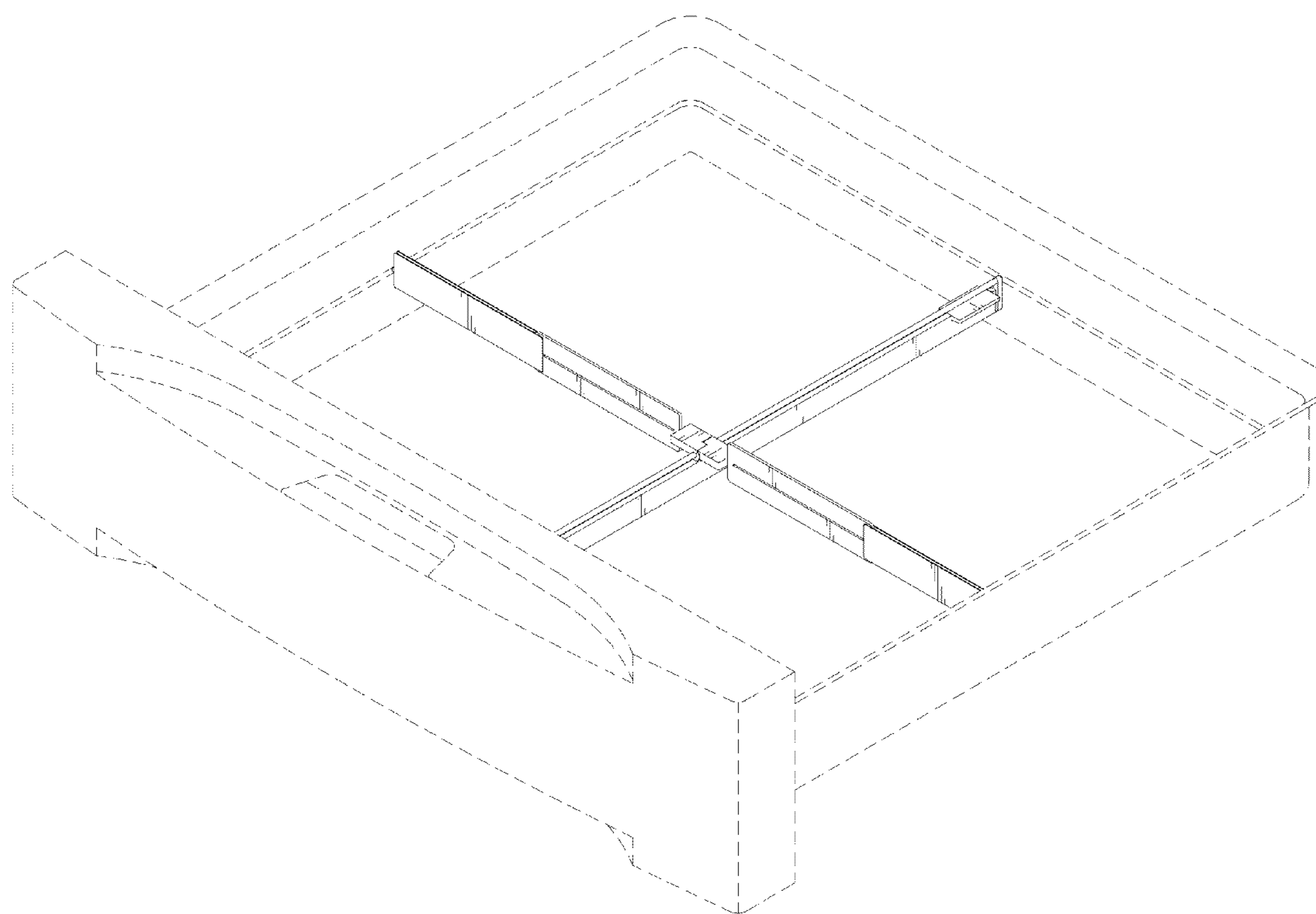




FIG. 10

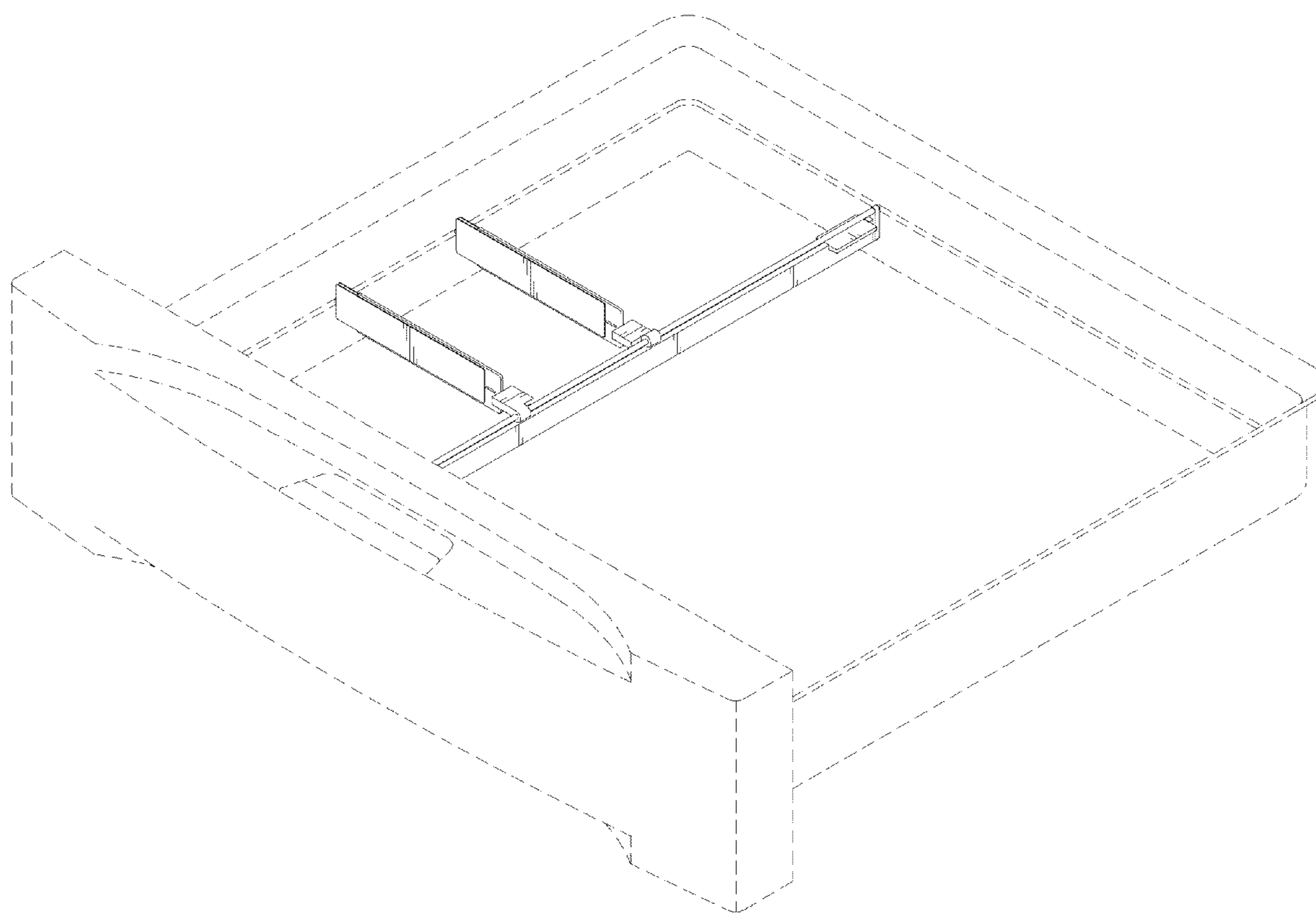


FIG. 11

