



US00D743453S

(12) **United States Design Patent**
McConnell

(10) **Patent No.:** **US D743,453 S**

(45) **Date of Patent:** **** *Nov. 17, 2015**

(54) **APPLIANCE**

(71) Applicant: **Whirlpool Corporation**, Benton Harbor, MI (US)

(72) Inventor: **Jessica McConnell**, St. Joseph, MI (US)

(73) Assignee: **Whirlpool Corporation**, Benton Harbor, MI (US)

(*) Notice: This patent is subject to a terminal disclaimer.

(**) Term: **14 Years**

(21) Appl. No.: **29/450,233**

(22) Filed: **Mar. 15, 2013**

(51) **LOC (10) Cl.** **15-07**

(52) **U.S. Cl.**
USPC **D15/89**

(58) **Field of Classification Search**

USPC D15/79, 81, 84, 85, 86, 88, 89, 91

CPC F25D 2323/02; F25D 2323/021; F25D

2317/06; F25D 2317/062; F25D 2323/121;

F25D 2323/122; F25D 2331/806; F25D

2400/36; F25D 13/02; F25D 13/04; F25D

11/02; F25D 11/025

See application file for complete search history.

(56) **References Cited**

U.S. PATENT DOCUMENTS

D508,249	S	*	8/2005	Seok et al.	D15/86
D511,177	S	*	11/2005	Jackovin et al.	D15/89
D511,179	S	*	11/2005	Tunzi	D15/89
D518,832	S	*	4/2006	Park et al.	D15/85
D616,001	S		5/2010	Yang et al.		
D629,819	S	*	12/2010	Placke et al.	D15/89
D639,315	S	*	6/2011	Yang et al.	D15/85
D647,927	S	*	11/2011	Lee et al.	D15/85
D654,515	S	*	2/2012	Hwang et al.	D15/85

(Continued)

Primary Examiner — Ian Simmons

Assistant Examiner — Khawaja Anwar

(57) **CLAIM**

I claim the ornamental design for a appliance, as shown and described.

DESCRIPTION

FIG. 1 is a perspective view of the outside of a refrigerator of the present invention;

FIG. 2 is a front plan view of the outside of a refrigerator of the present invention;

FIG. 3 is a right side plan view of the outside of a refrigerator of the present invention;

FIG. 4 is a top plan view of the outside of a refrigerator of the present invention;

FIG. 5 is a bottom plan view of the outside of a refrigerator of the present invention;

FIG. 6 is a front perspective view with the cabinet doors open of the present invention;

FIG. 7 is a front plan view of the cabinet interior of the present invention;

FIG. 8 is a perspective view of the right side of the cabinet interior of the present invention;

FIG. 9 is a perspective view of the left side of the cabinet interior of the present invention;

FIG. 10 is a perspective view of the right door of the present invention;

FIG. 11 is a plan view of the right door of the present invention;

FIG. 12 is a perspective view of the left door of the present invention;

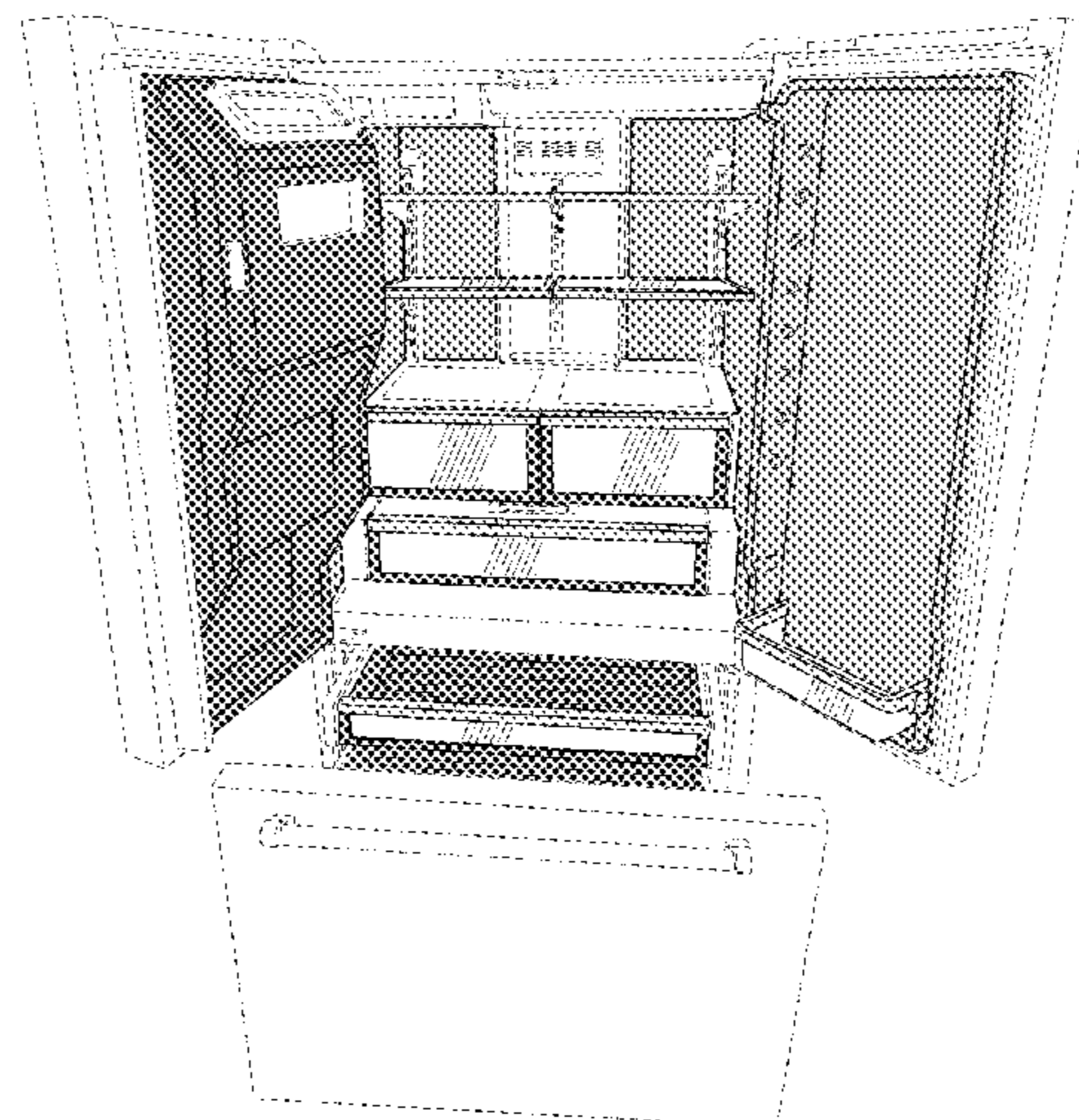
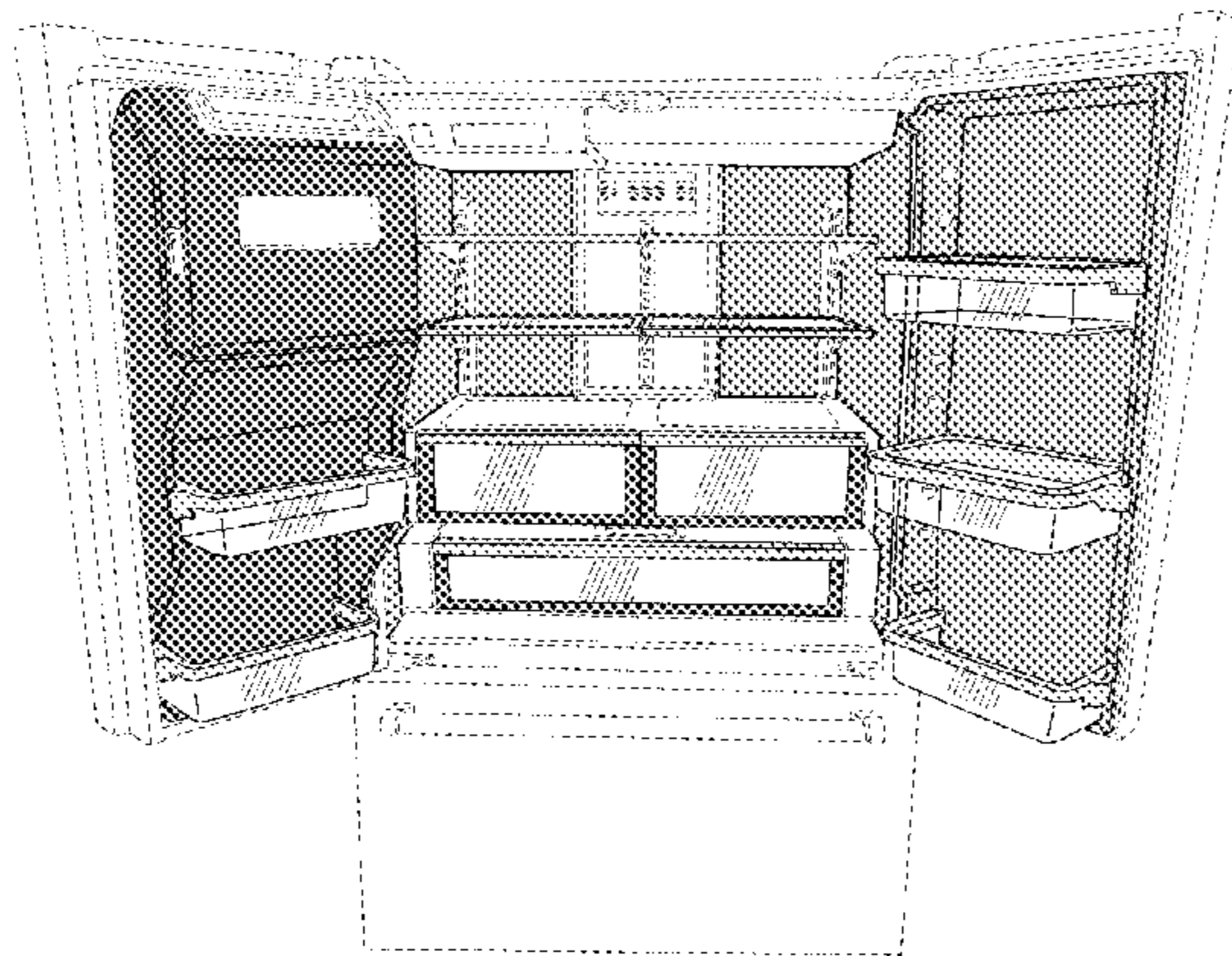
FIG. 13 is a plan view of the left door of the present invention;

FIG. 14 is a front perspective view with the cabinet doors and freezer drawer open of the present invention; and,

FIG. 15 is a perspective view of the interior of the freezer of the present invention.

The broken lines in the figures are to show an environment and form no part of the claimed design.

1 Claim, 14 Drawing Sheets



(56)

References Cited

U.S. PATENT DOCUMENTS

D655,321 S * 3/2012 Lee et al. D15/86
D658,214 S 4/2012 Seo et al.
D668,696 S 10/2012 Seo et al.
D671,151 S 11/2012 Seo et al.
D671,572 S 11/2012 Seo et al.

D674,417 S 1/2013 Seo et al.
D685,010 S 6/2013 Seo et al.
D707,735 S * 6/2014 Cho et al. D15/91
D710,401 S * 8/2014 Ringemann et al. D15/85
D710,402 S * 8/2014 Jeon et al. D15/86
D716,851 S * 11/2014 Seo et al. D15/89
D718,346 S * 11/2014 Cho et al. D15/81
D718,349 S * 11/2014 Cho et al. D15/85

* cited by examiner

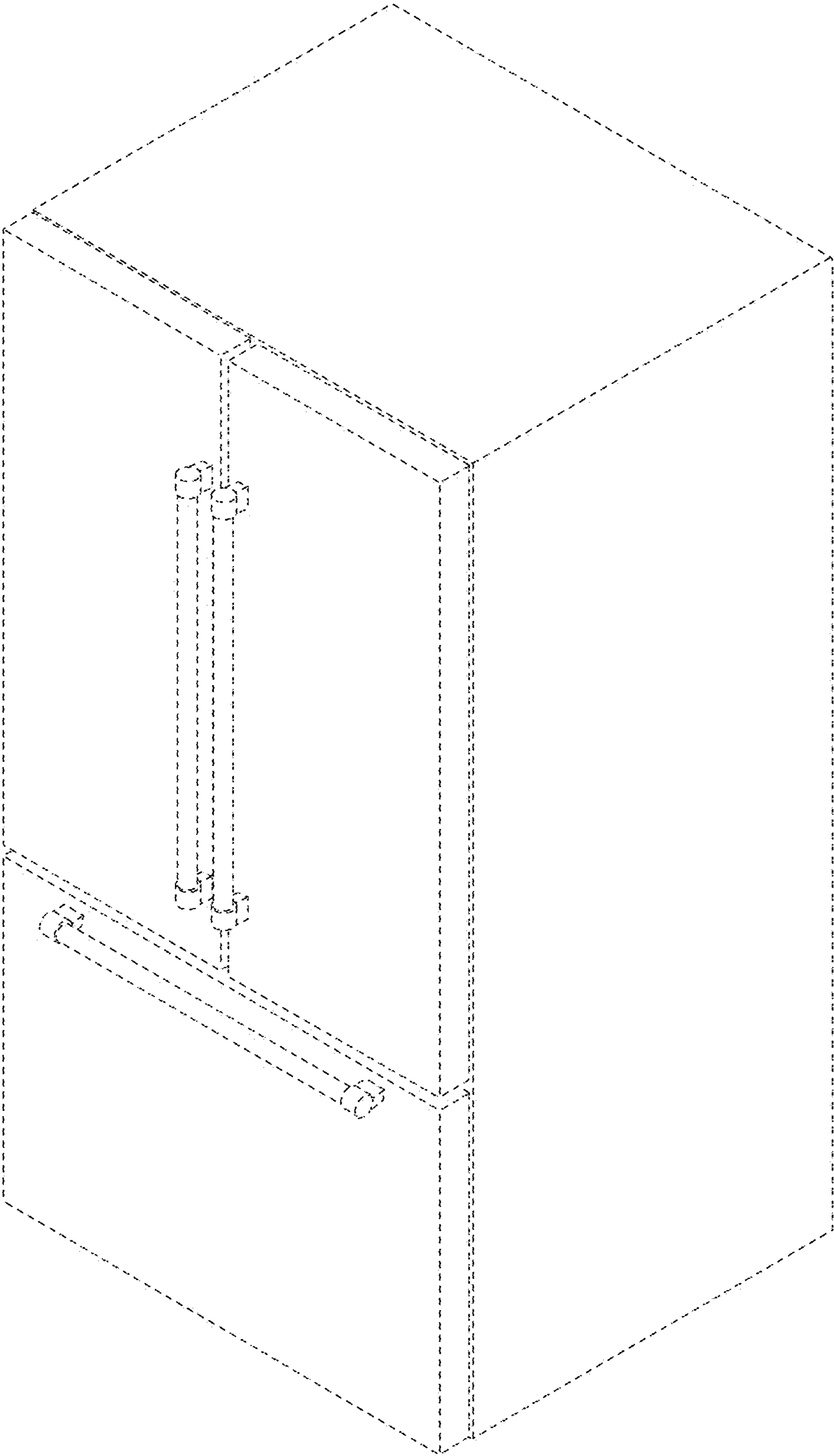


FIG. 1

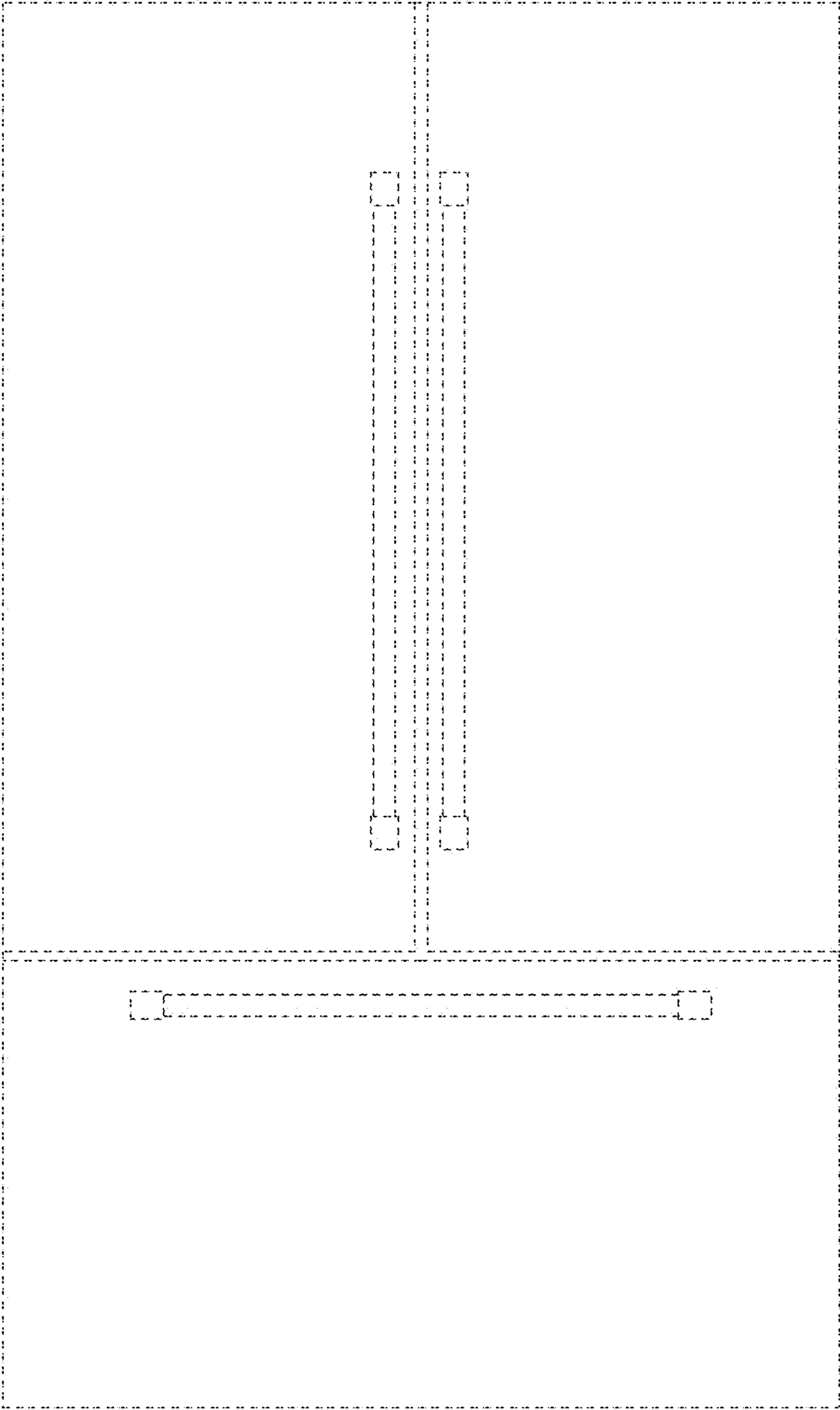


FIG. 2

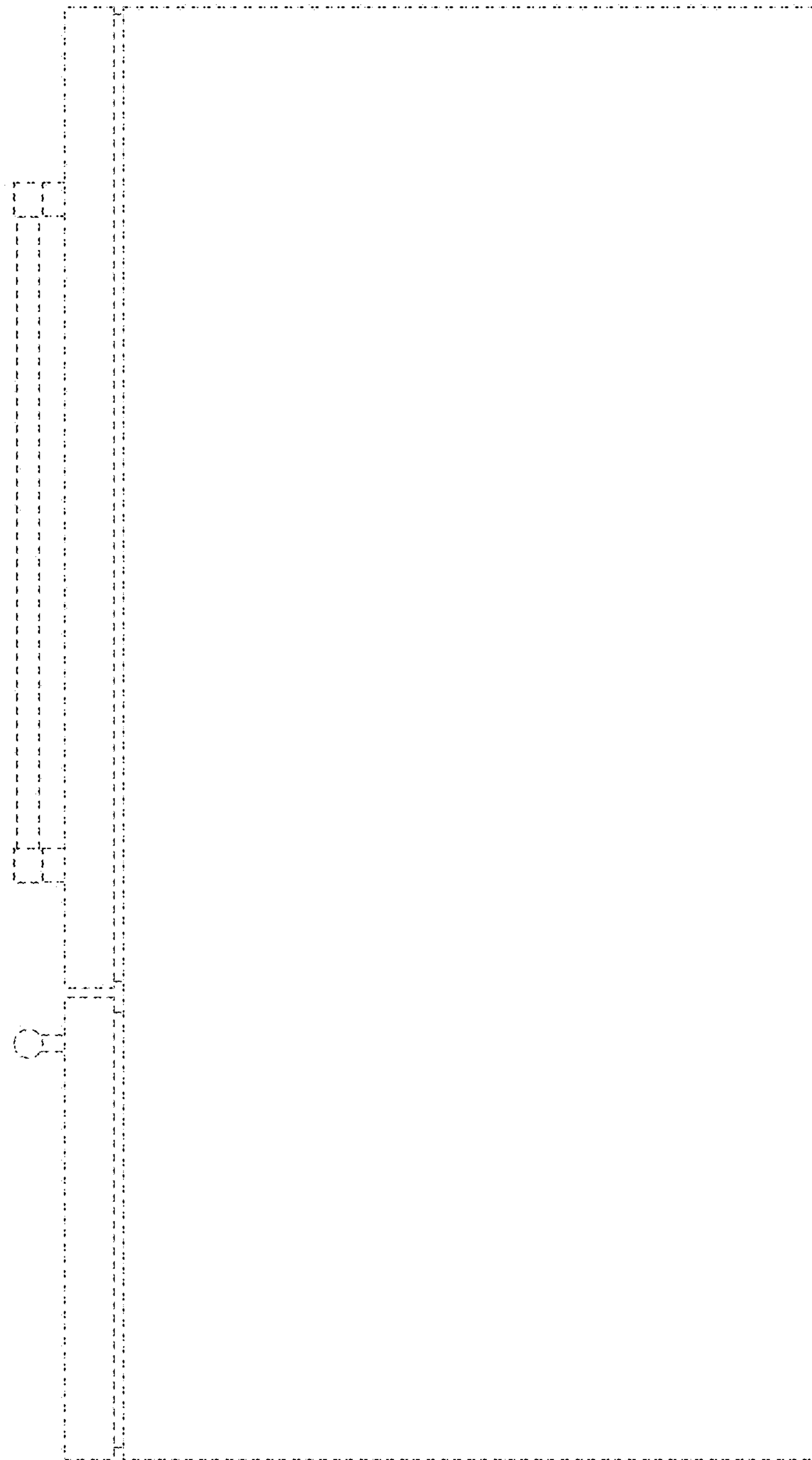


FIG. 3

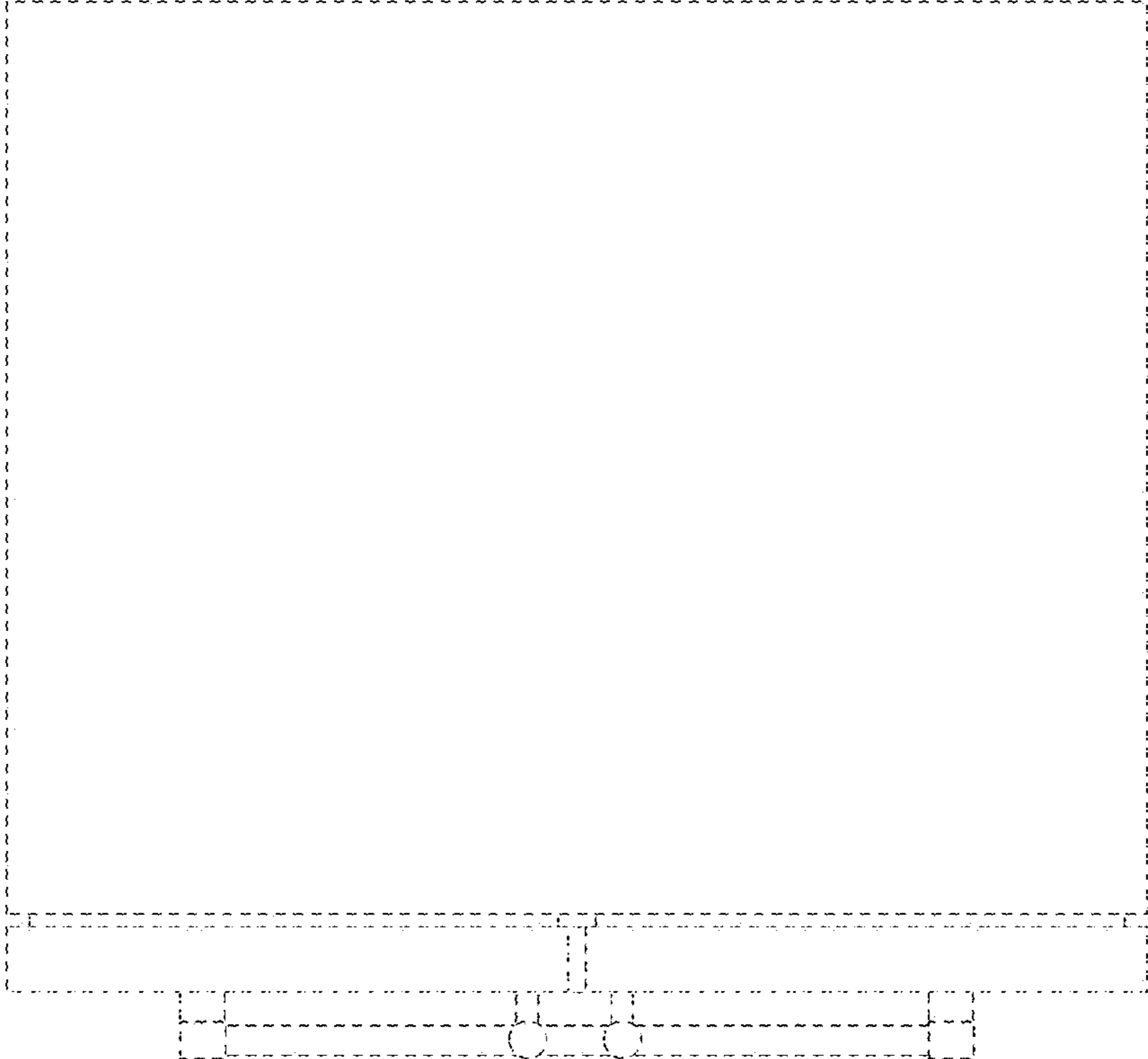


FIG. 4

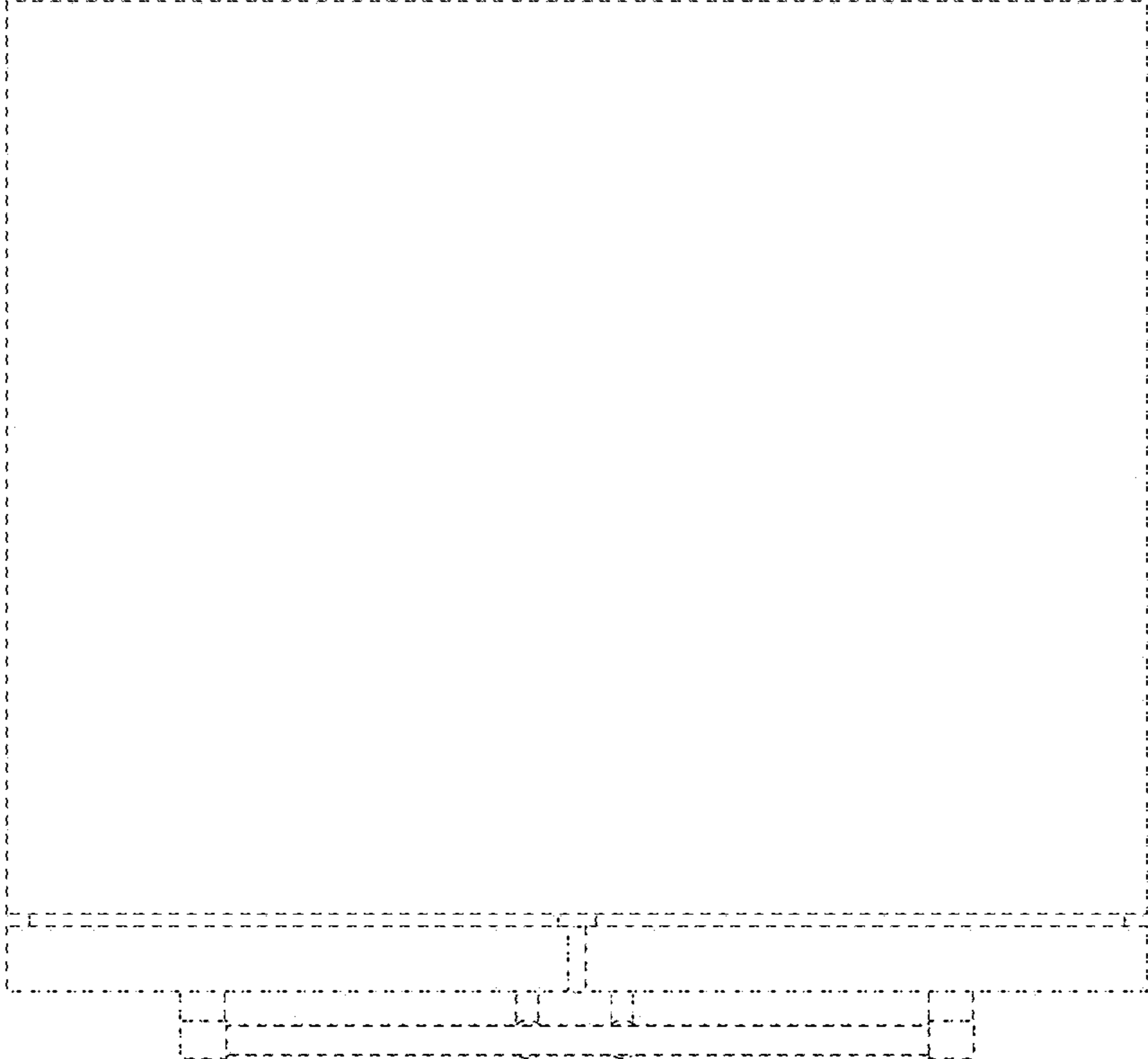


FIG. 5

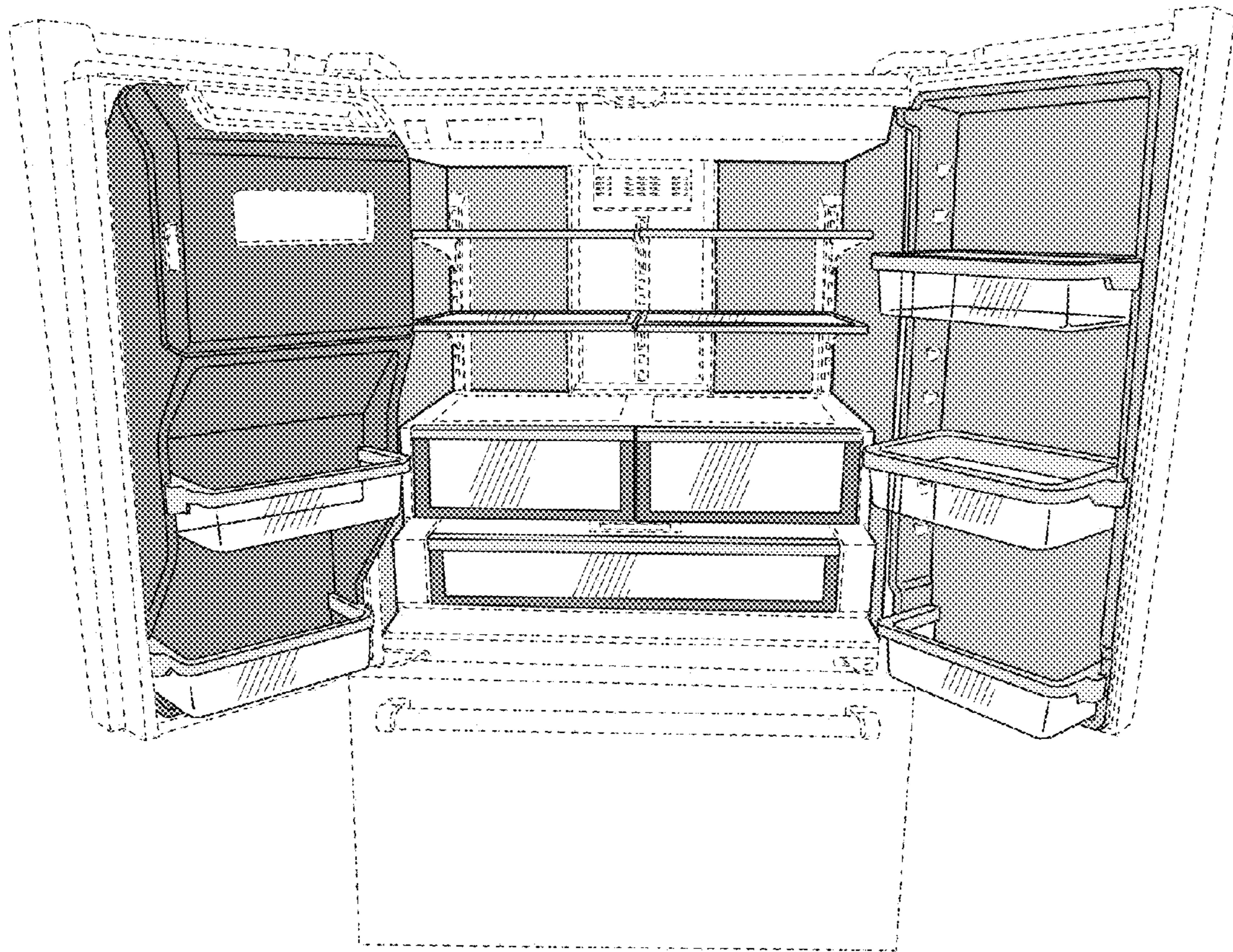


FIG. 6

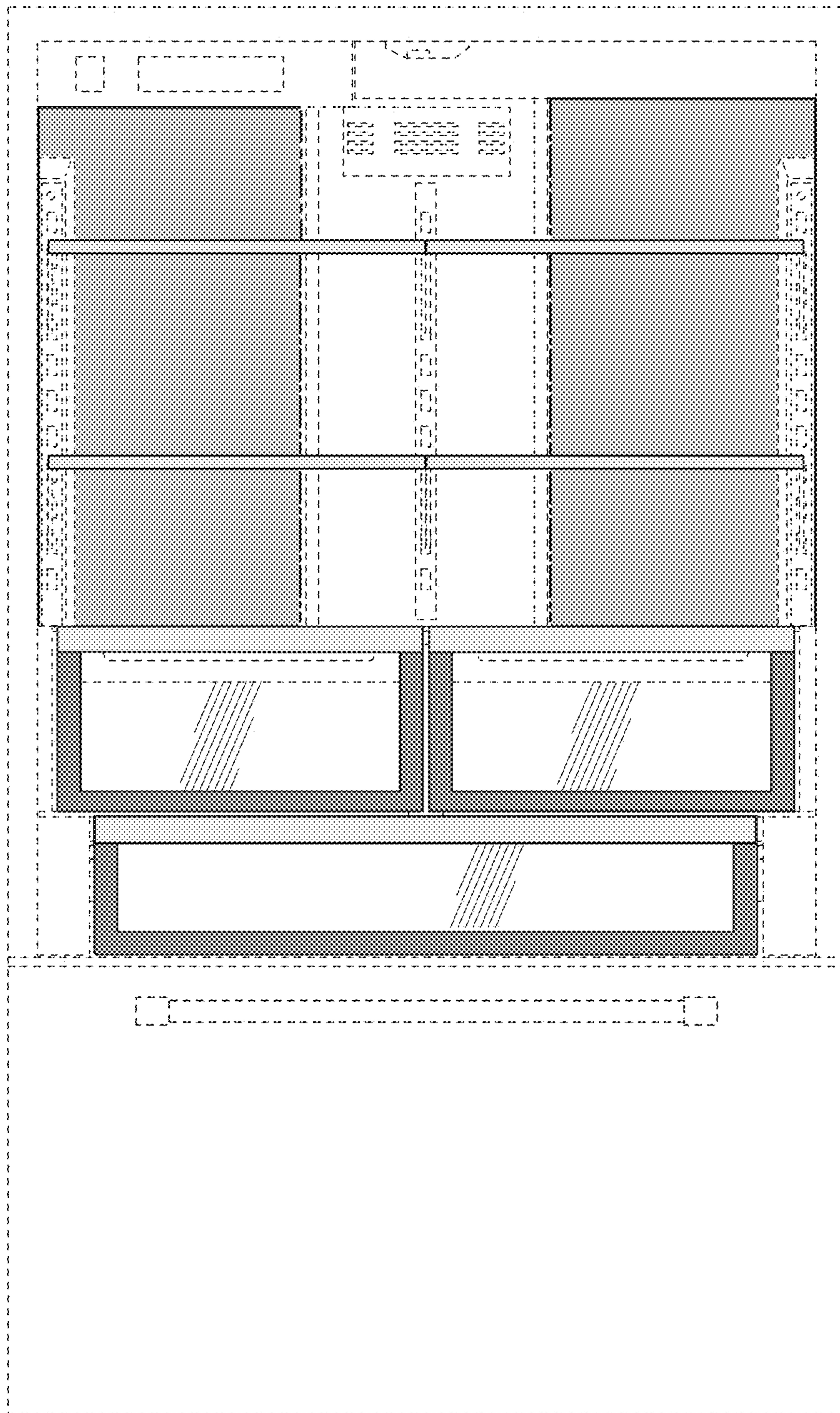


FIG. 7

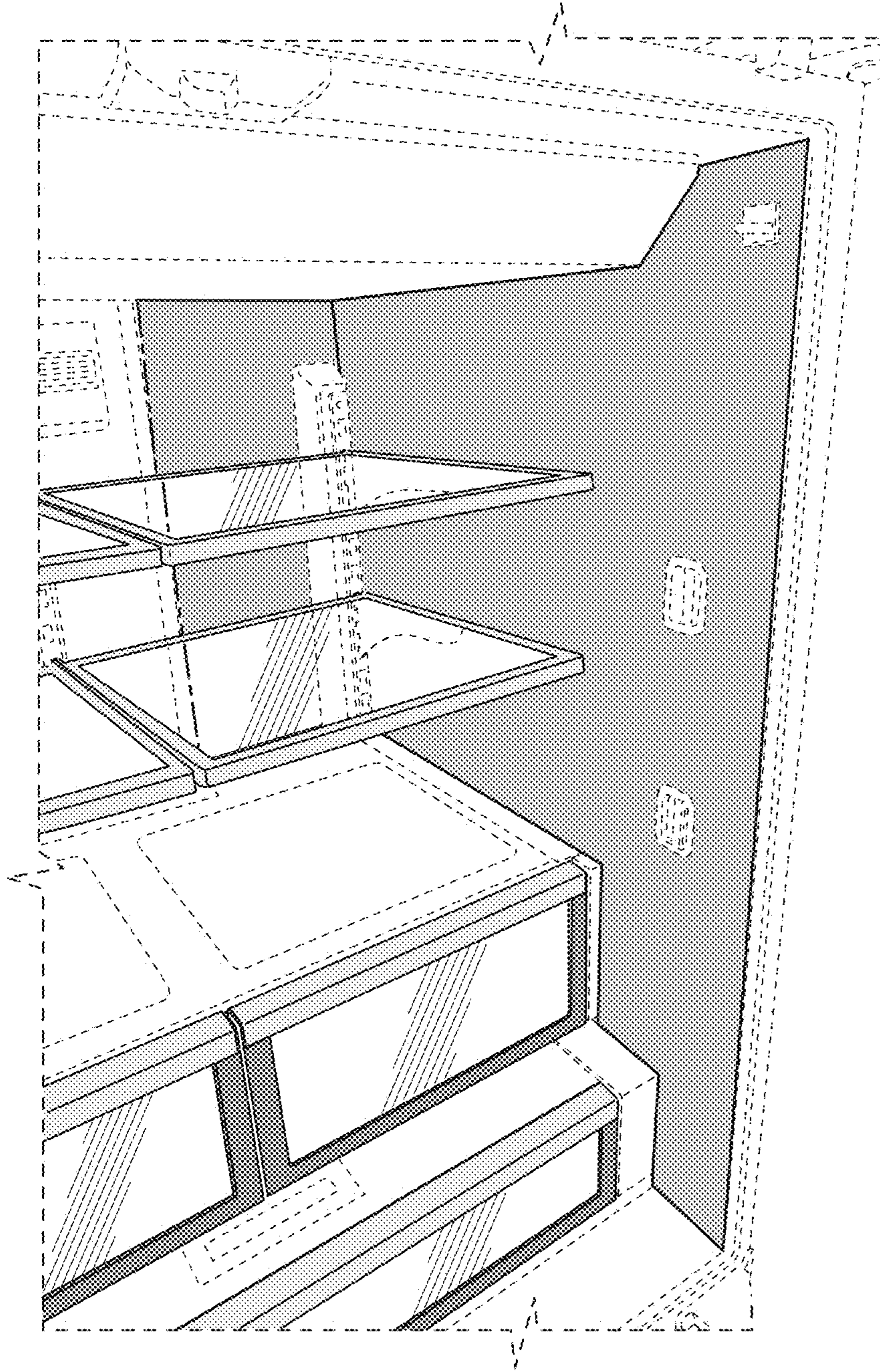


FIG. 8

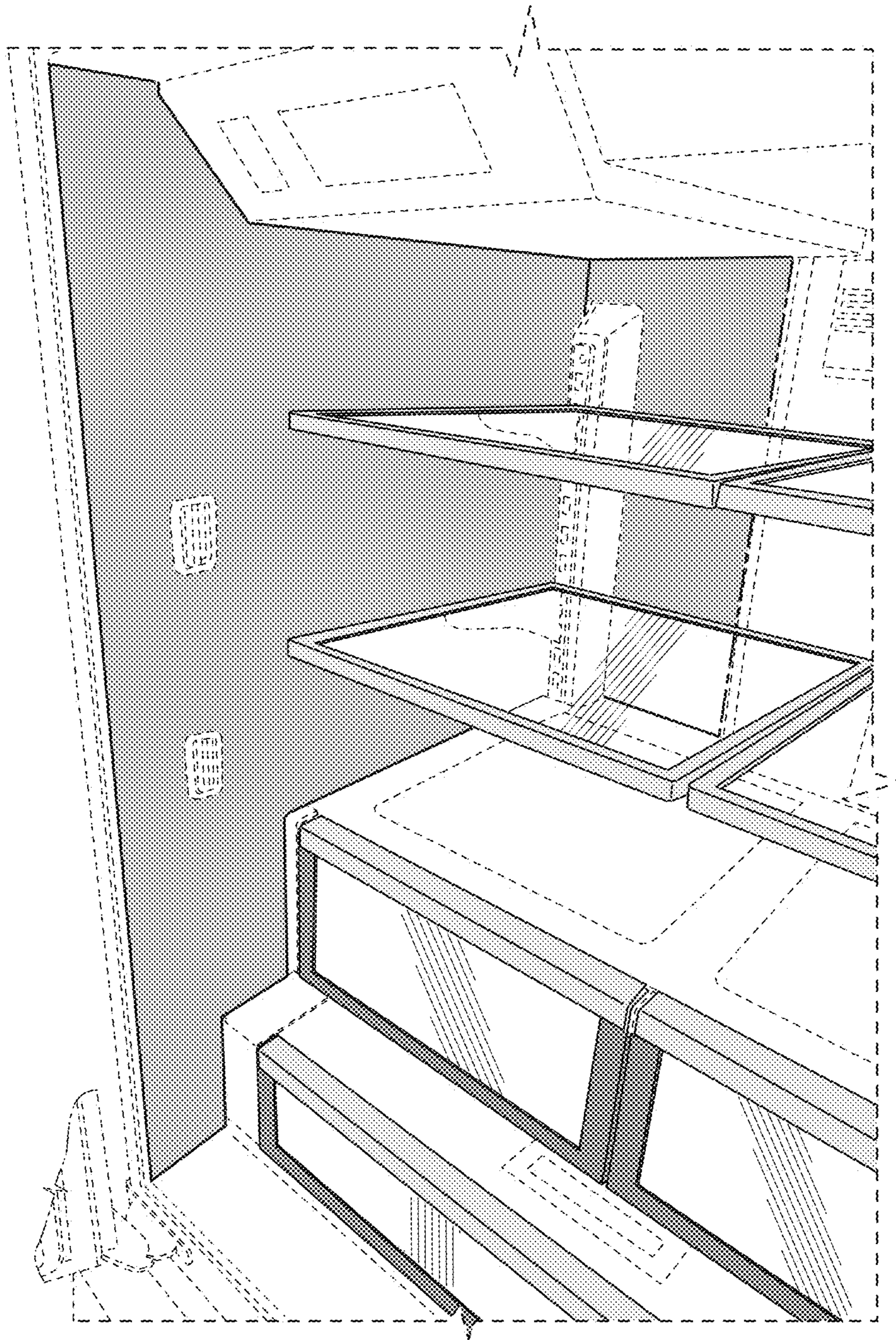


FIG. 9

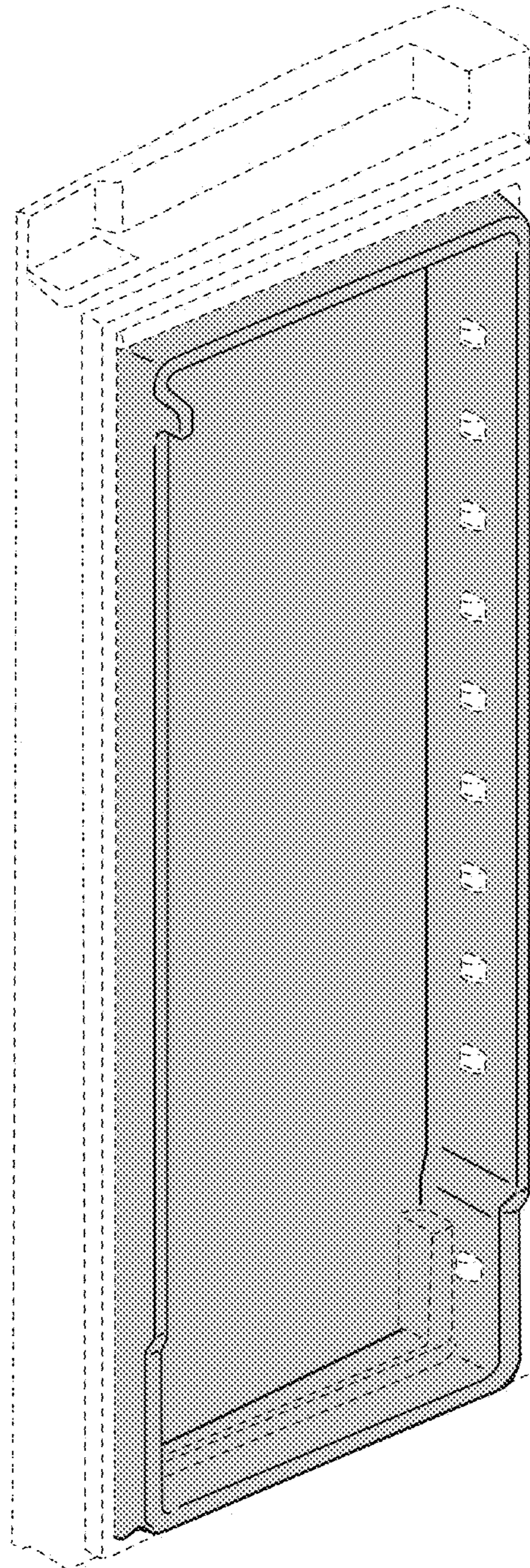


FIG. 10

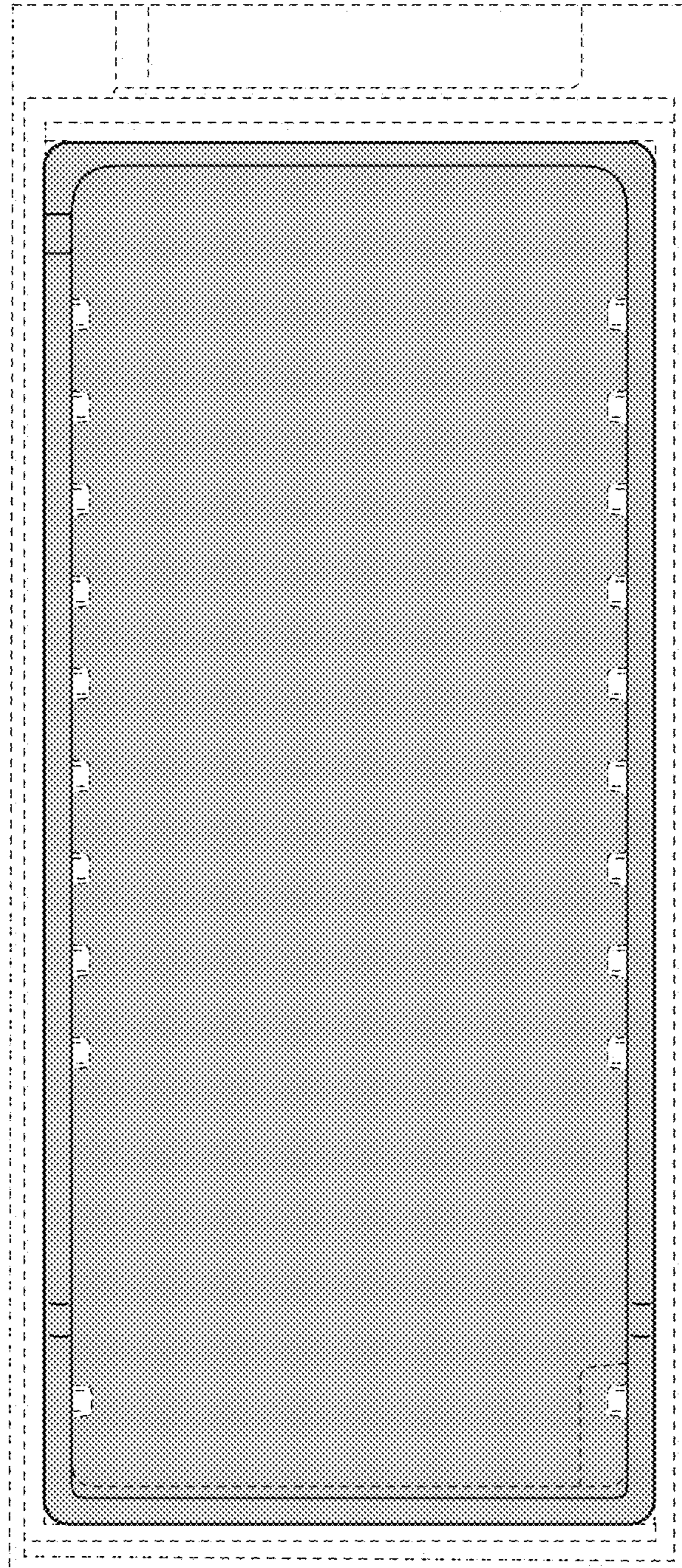


FIG. 11

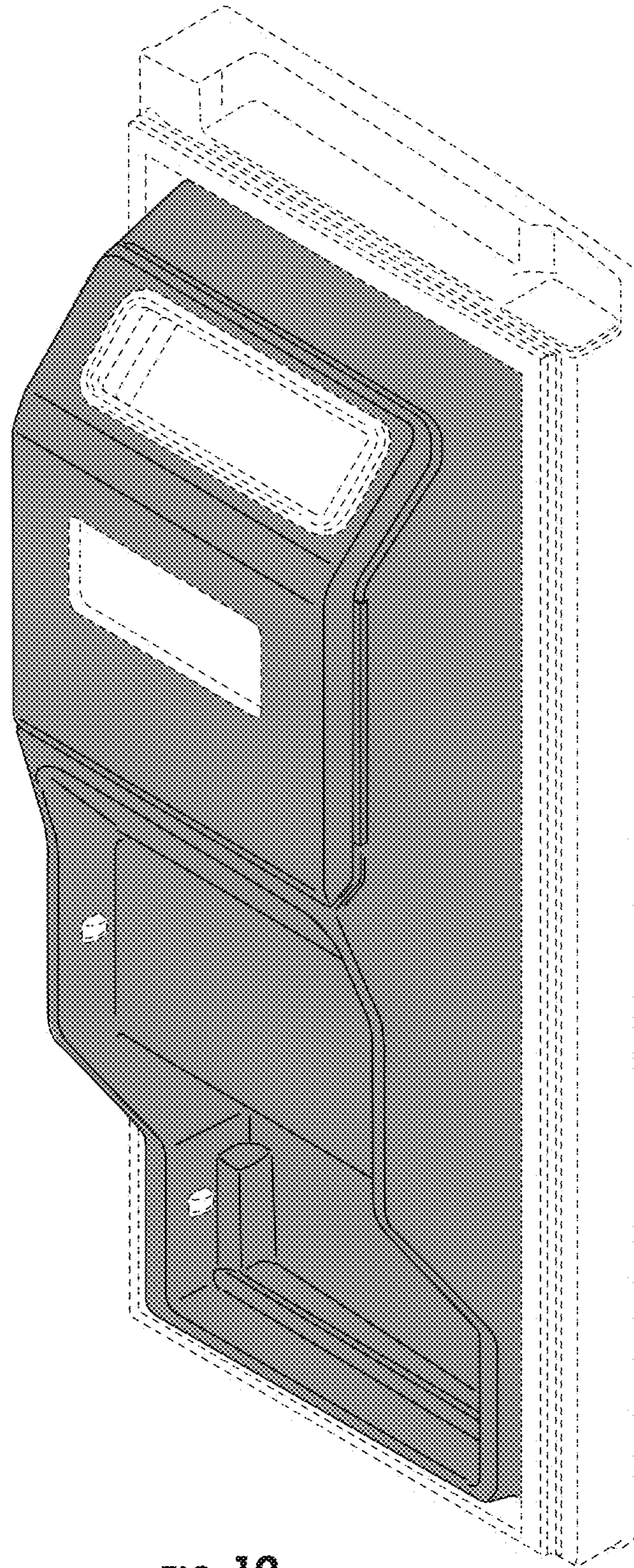


FIG. 12

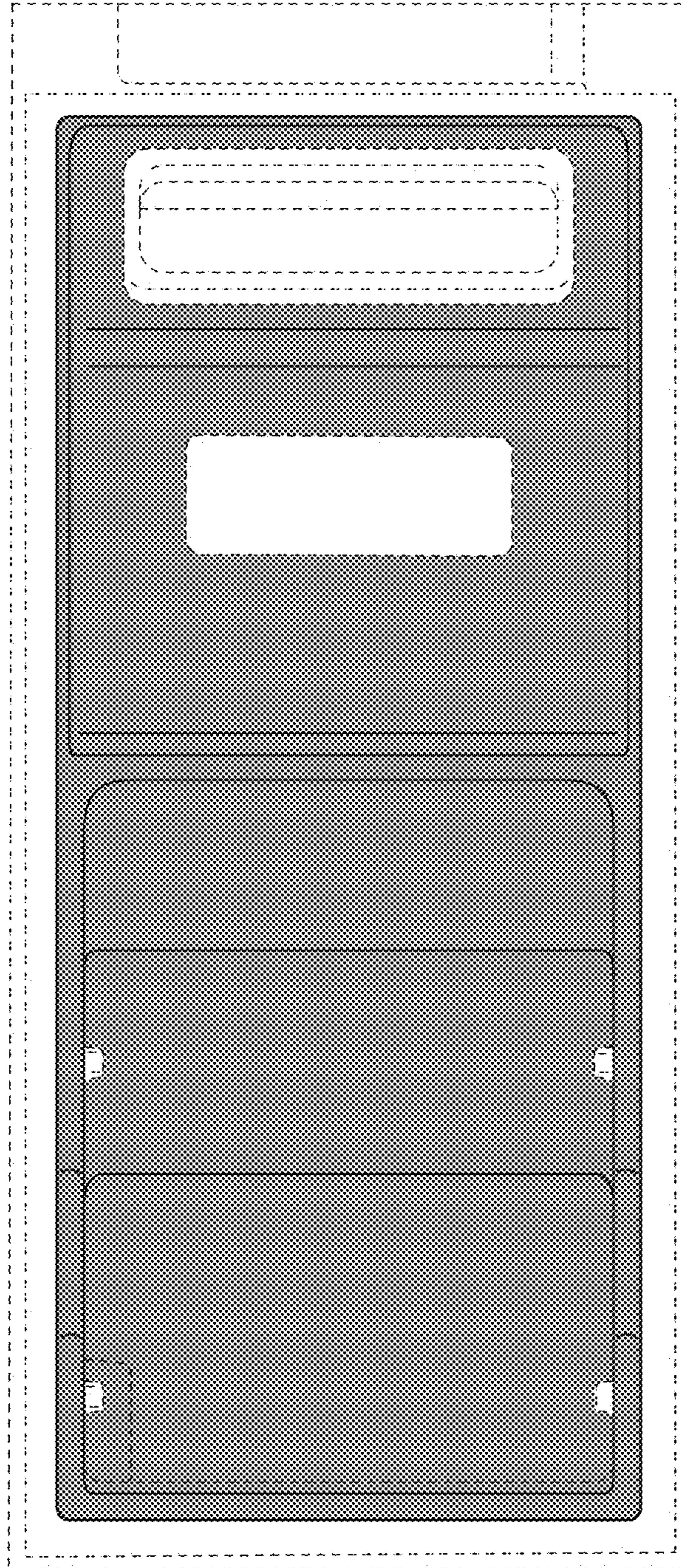


FIG. 13

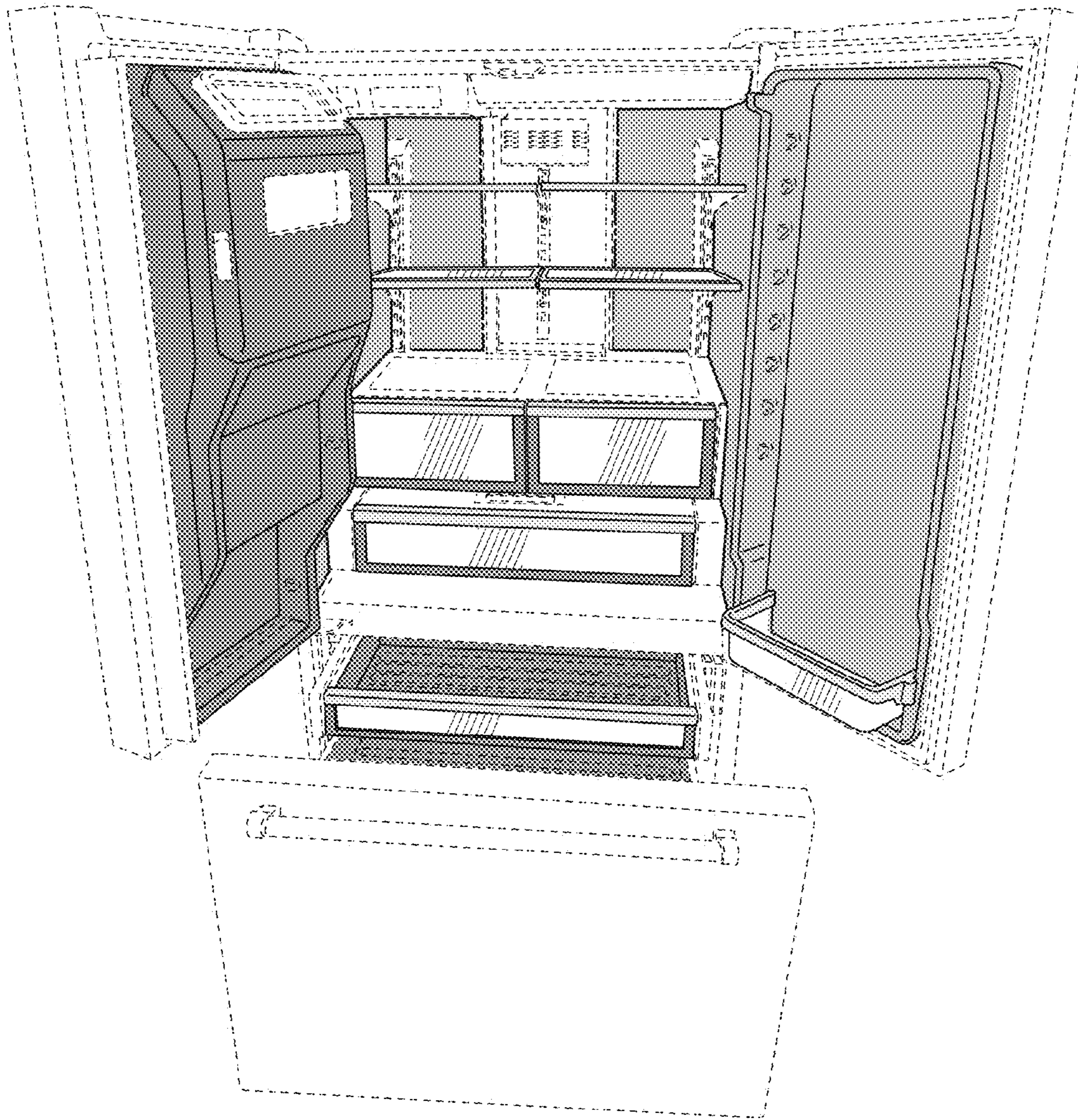


FIG. 14

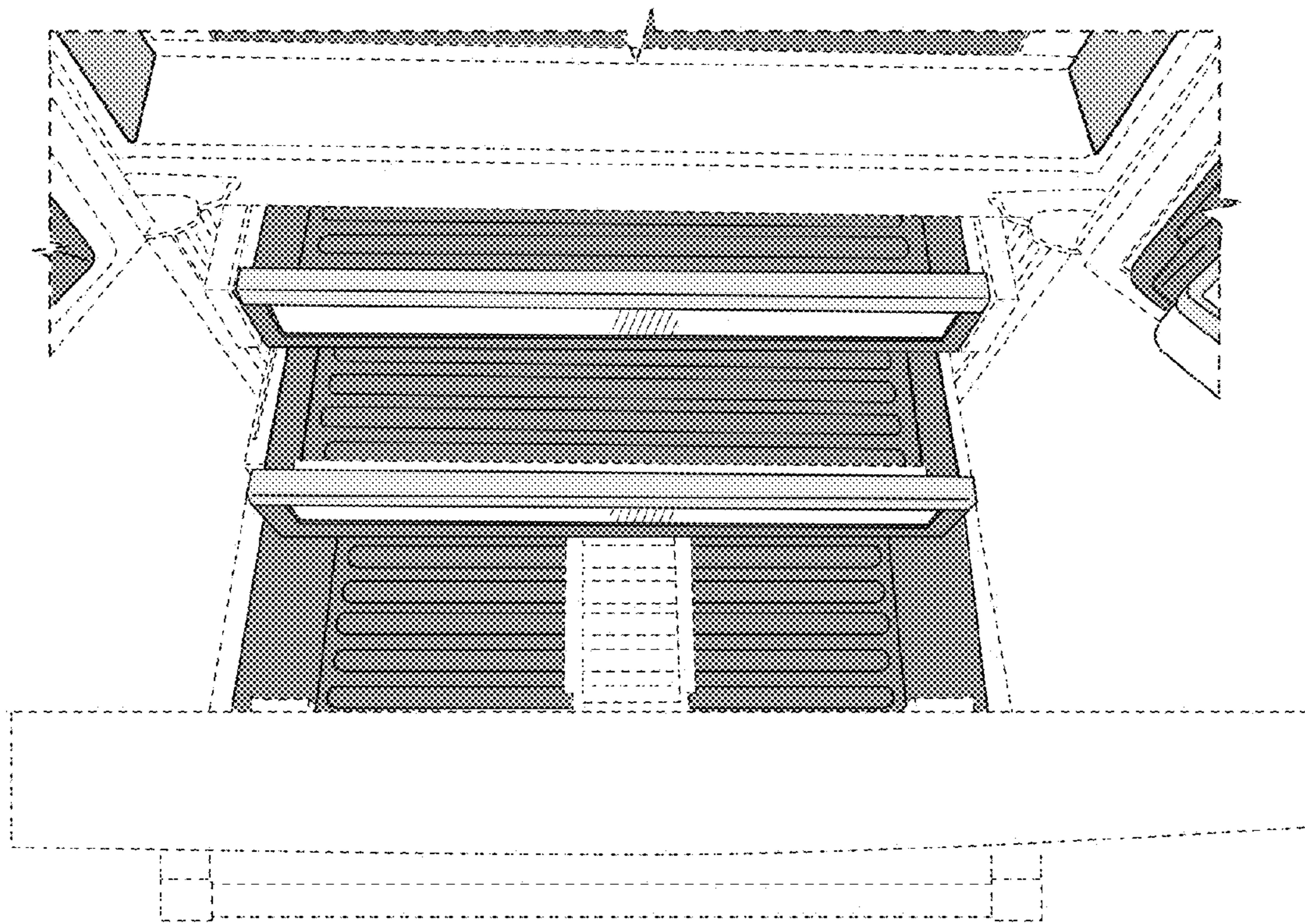


FIG. 15