



US00D743450S

(12) **United States Design Patent**  
**Claeys et al.**

(10) **Patent No.:** **US D743,450 S**  
(45) **Date of Patent:** **\*\* Nov. 17, 2015**

(54) **FORAGE HARVESTER**

D619,627 S 7/2010 Budde

- (71) Applicant: **CNH Industrial America LLC**, New Holland, PA (US)
- (72) Inventors: **Ilse Claeys**, Nazareth (BE); **Dennis Philips**, Appels (BE); **Frank P. Verbeke**, Zedelgem (BE); **Eric M. Jacobsthal**, Elmhurst, IL (US); **Carl J. Hagele**, The Villages, FL (US)
- (73) Assignee: **CNH Industrial America LLC**, New Holland, PA (US)

\* cited by examiner

*Primary Examiner* — Robin V Webster

(74) *Attorney, Agent, or Firm* — Patrick M. Sheldrake; Seyed V. Sharifi T.

- (\*\*) Term: **14 Years**
- (21) Appl. No.: **29/458,210**
- (22) Filed: **Jun. 17, 2013**
- (51) **LOC (10) Cl.** ..... **15-03**
- (52) **U.S. Cl.**  
USPC ..... **D15/33**
- (58) **Field of Classification Search**  
USPC ..... D15/26, 28–33, 23, 10; D12/163, 171, D12/216; 296/193.1; 180/89.1, 68.6, 900, 180/89.12, 89.13, 89.16  
See application file for complete search history.

(57) **CLAIM**

We claim the ornamental design for a forage harvester, as shown and described.

**DESCRIPTION**

FIG. 1 is a rear perspective view of a forage harvester showing our new design;  
 FIG. 2 is a side view thereof;  
 FIG. 3 is an opposing side view thereof;  
 FIG. 4 is a rear view thereof;  
 FIG. 5 is a front view thereof;  
 FIG. 6 is a top view thereof;  
 FIG. 7 is a bottom view thereof;  
 FIG. 8 is a rear perspective view of a forage harvester showing a second embodiment of our new design;  
 FIG. 9 is a side view thereof;  
 FIG. 10 is an opposing side view thereof;  
 FIG. 11 is a rear view thereof;  
 FIG. 12 is a front view thereof;  
 FIG. 13 is a top view thereof; and,  
 FIG. 14 is a bottom view thereof.

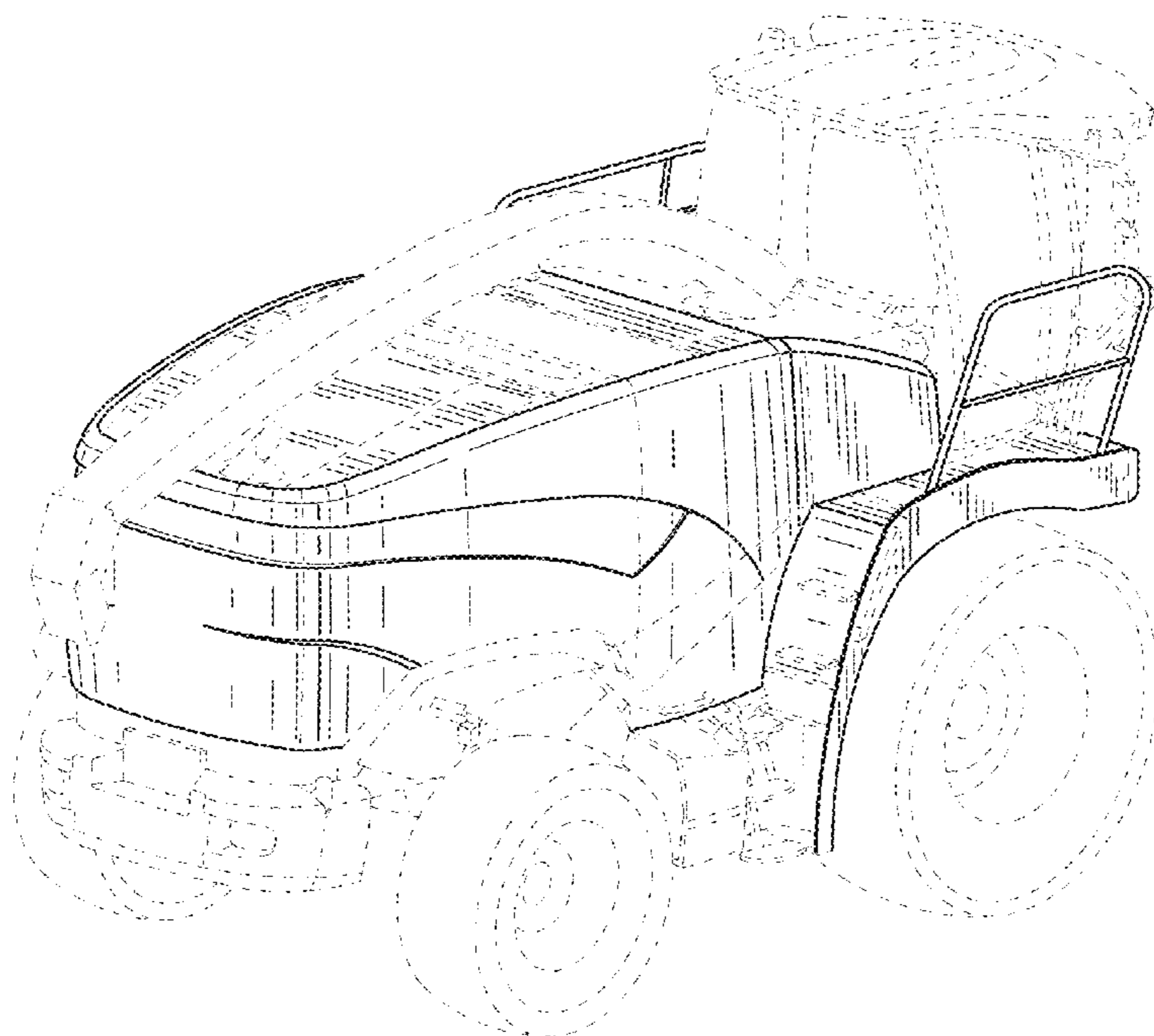
Only the shapes and portions bounded by solid lines form the claimed design. The elements depicted in dashed lines are shown for illustrative purpose of environment and form no part of the ornamental design.

(56) **References Cited**

**U.S. PATENT DOCUMENTS**

D400,543 S	*	11/1998	Benedict et al.	.....	D15/10
D436,363 S	*	1/2001	Strong et al.	.....	D15/10
D544,886 S	*	6/2007	Pedracini et al.	.....	D15/26
D568,342 S		5/2008	Kleingraeber		
D599,830 S	*	9/2009	Jacobsthal et al.	.....	D15/33
D613,776 S	*	4/2010	Bianco et al.	.....	D15/33

**1 Claim, 14 Drawing Sheets**



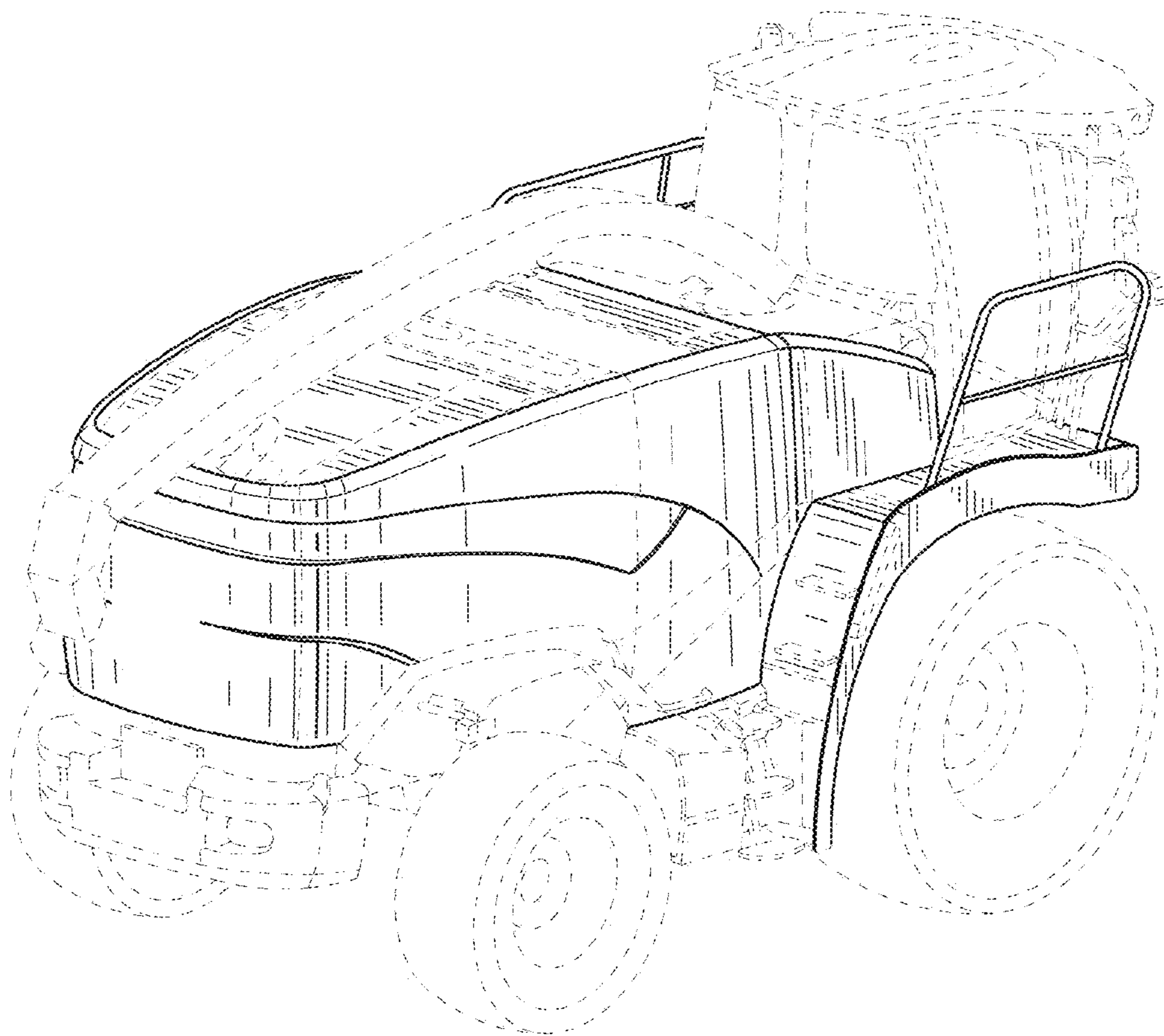


FIG. 1

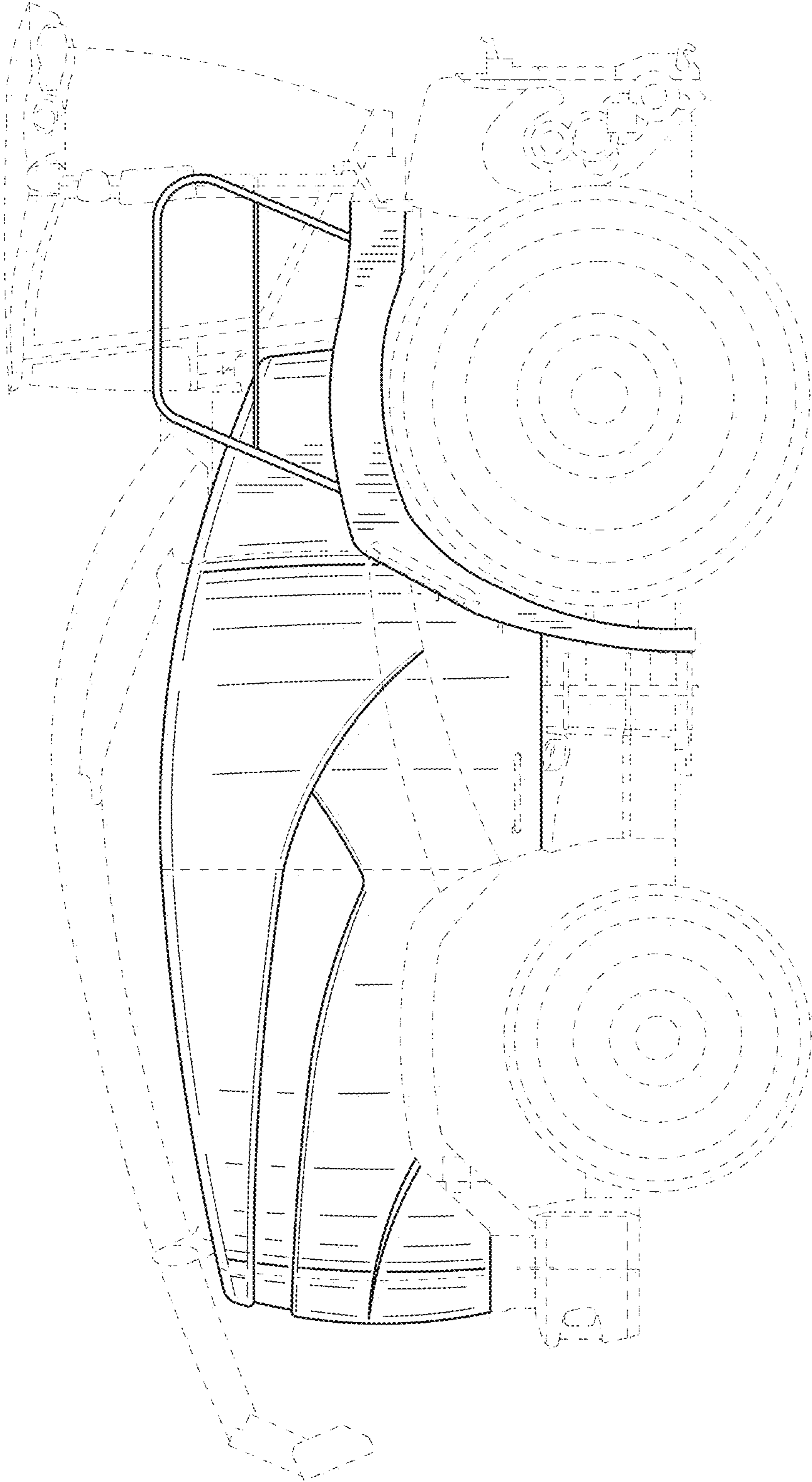


FIG. 2

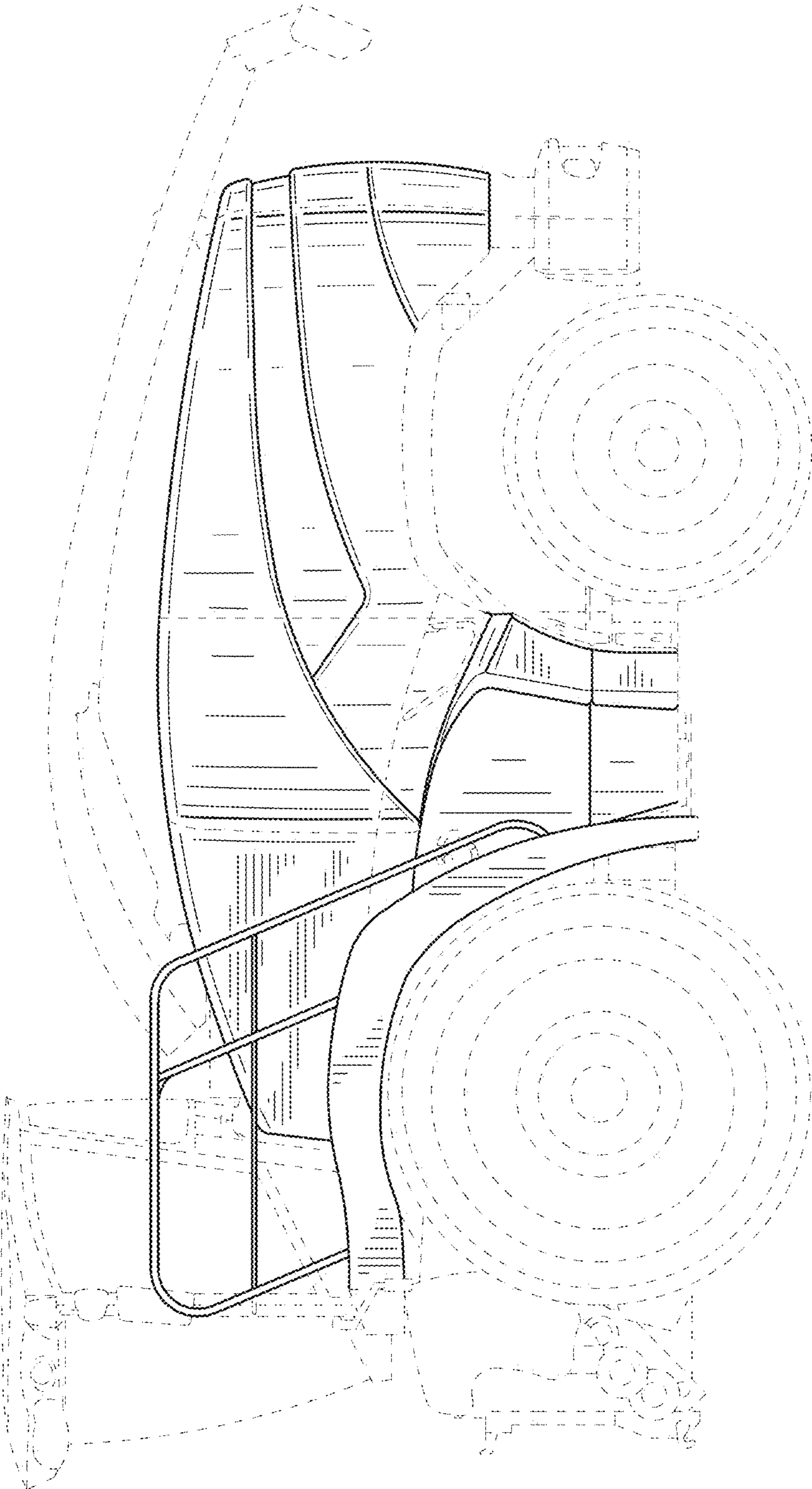


FIG. 3

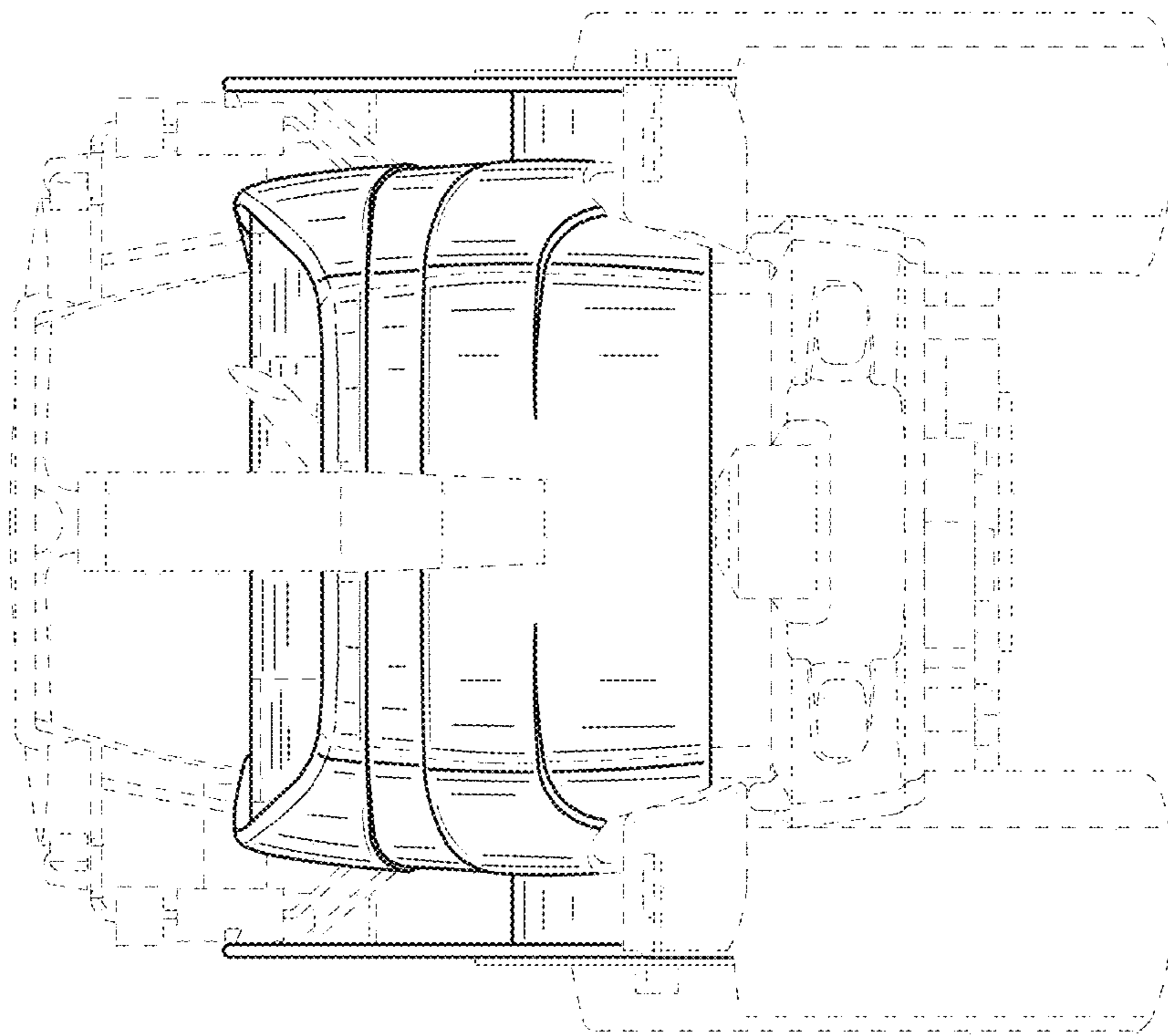


FIG. 4

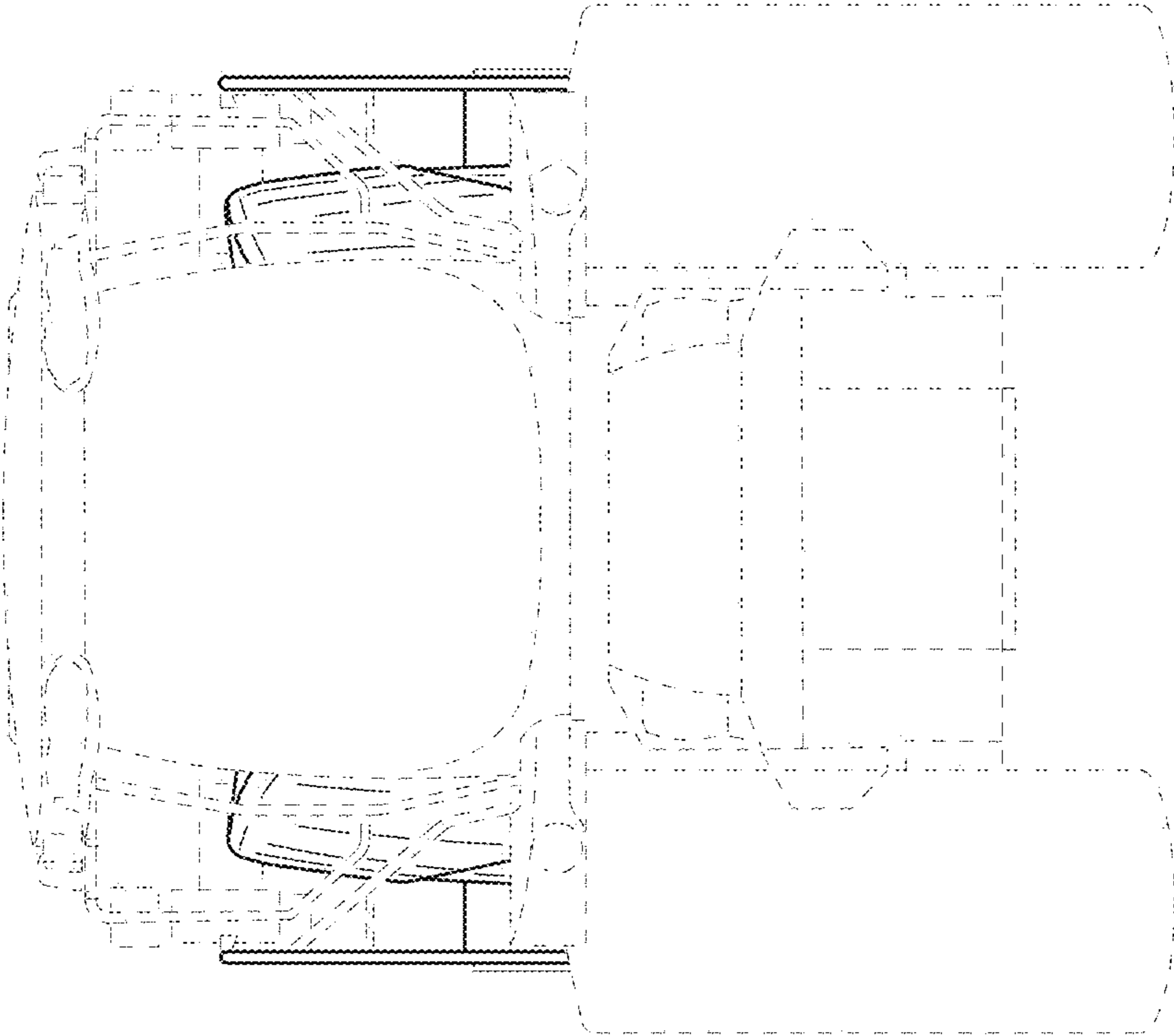


FIG. 5

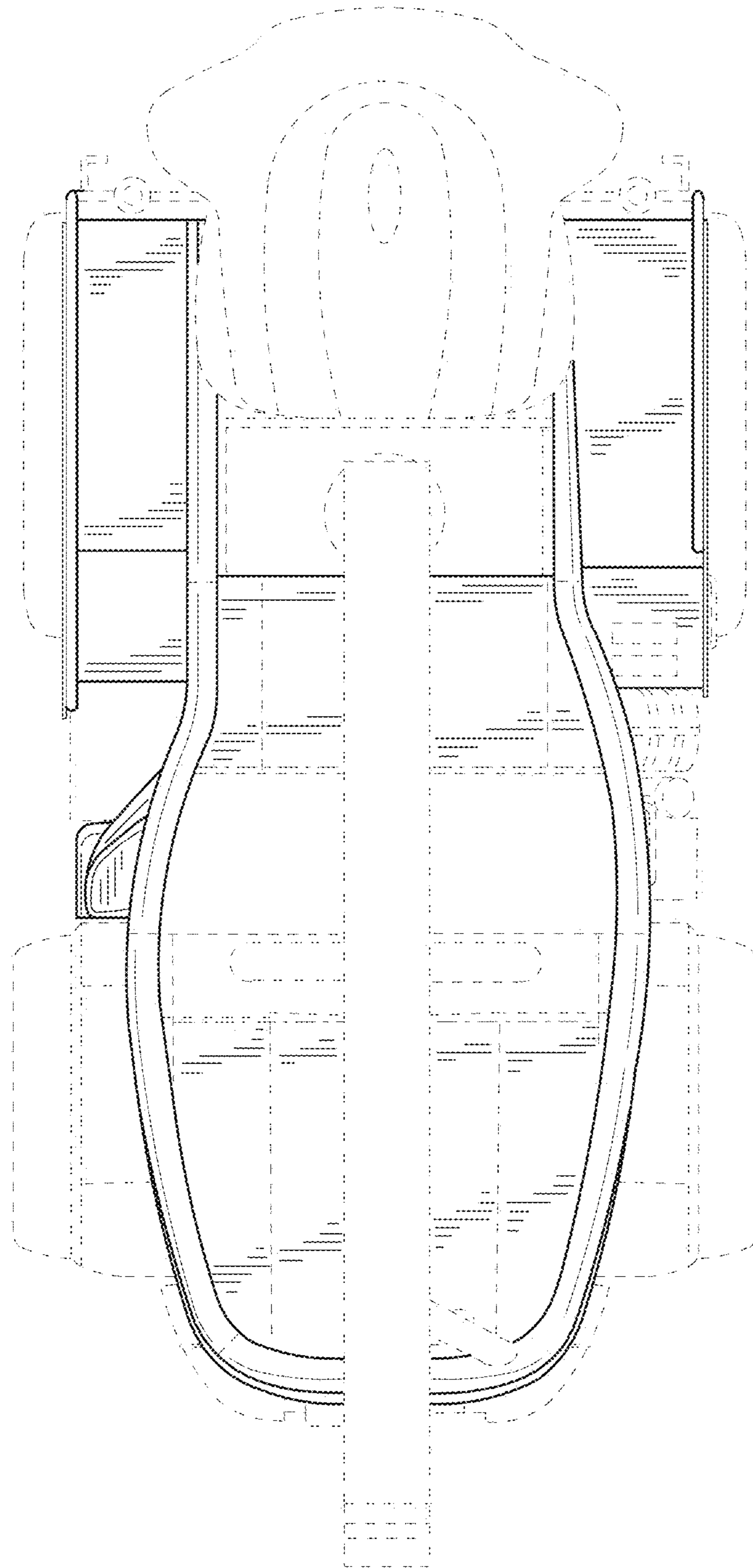


FIG. 6

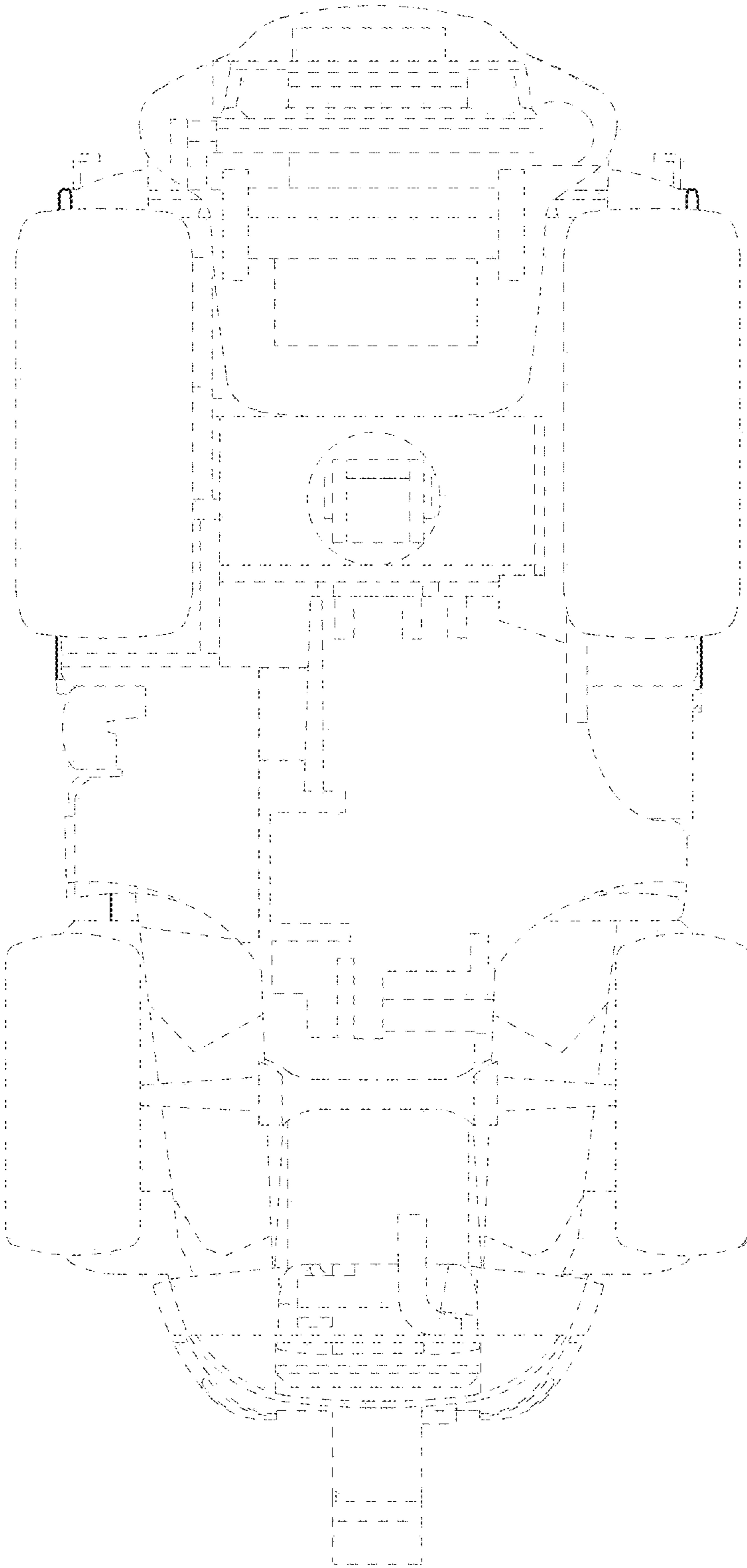


FIG. 7



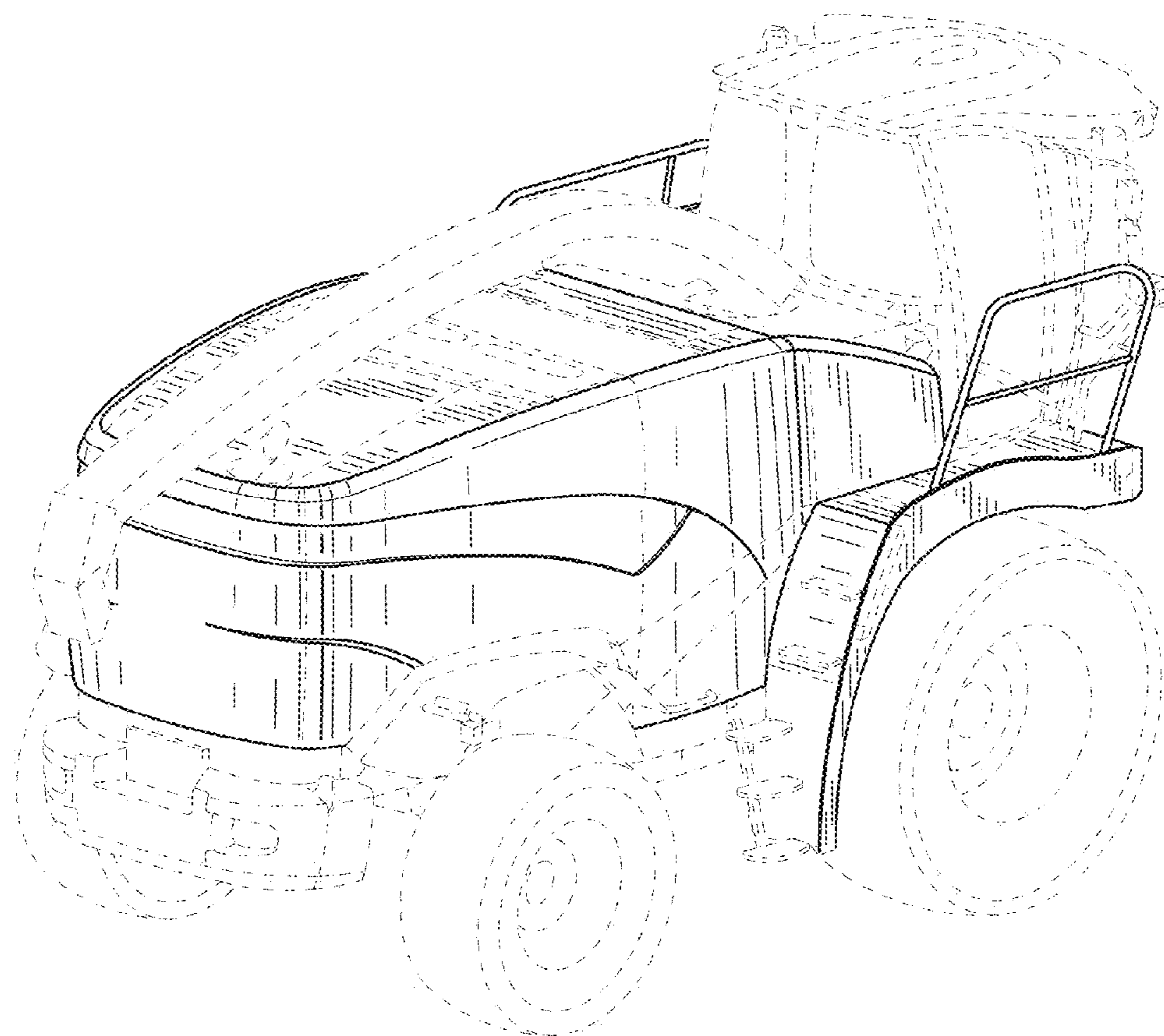


FIG. 8

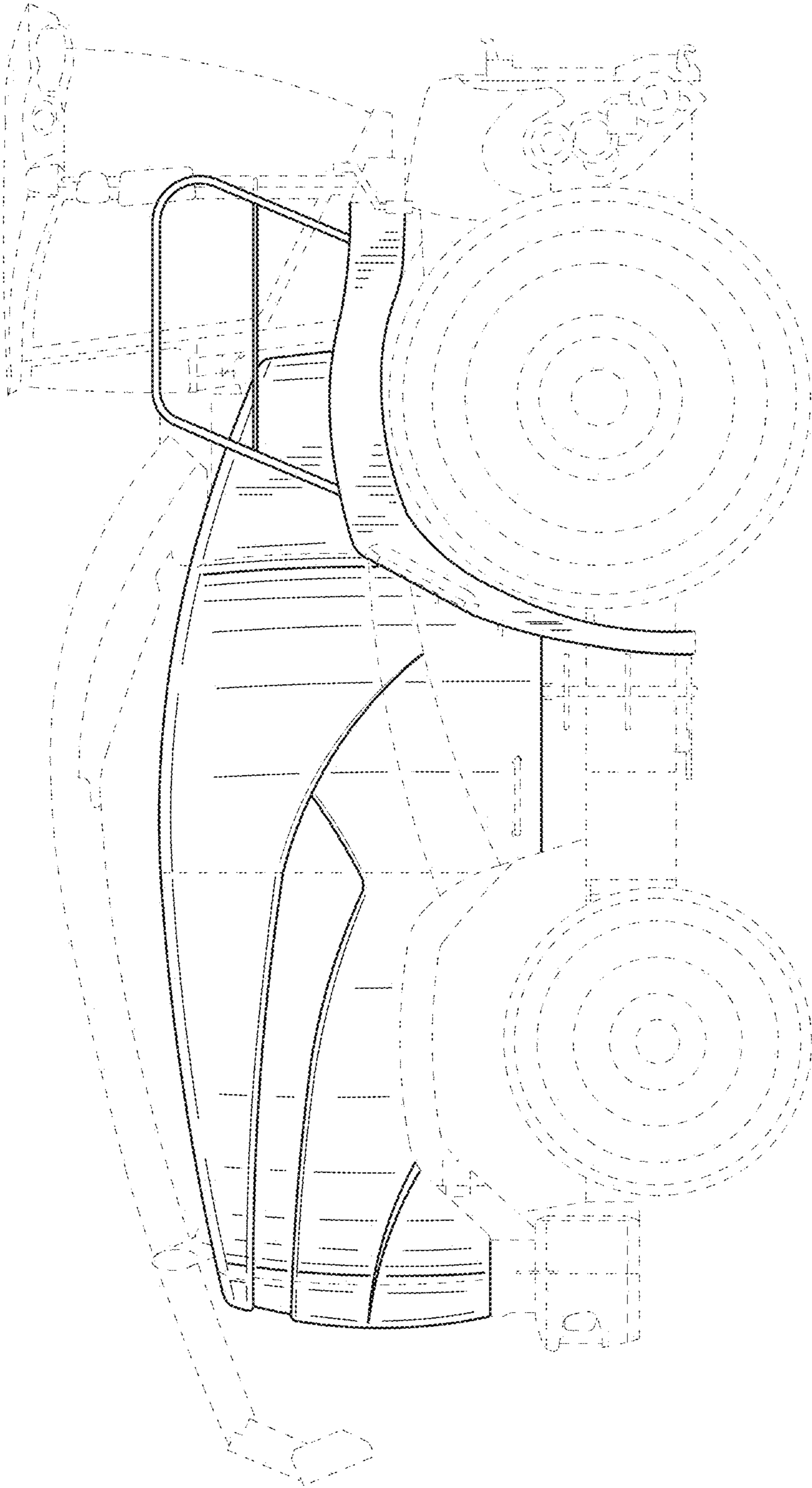


FIG. 9

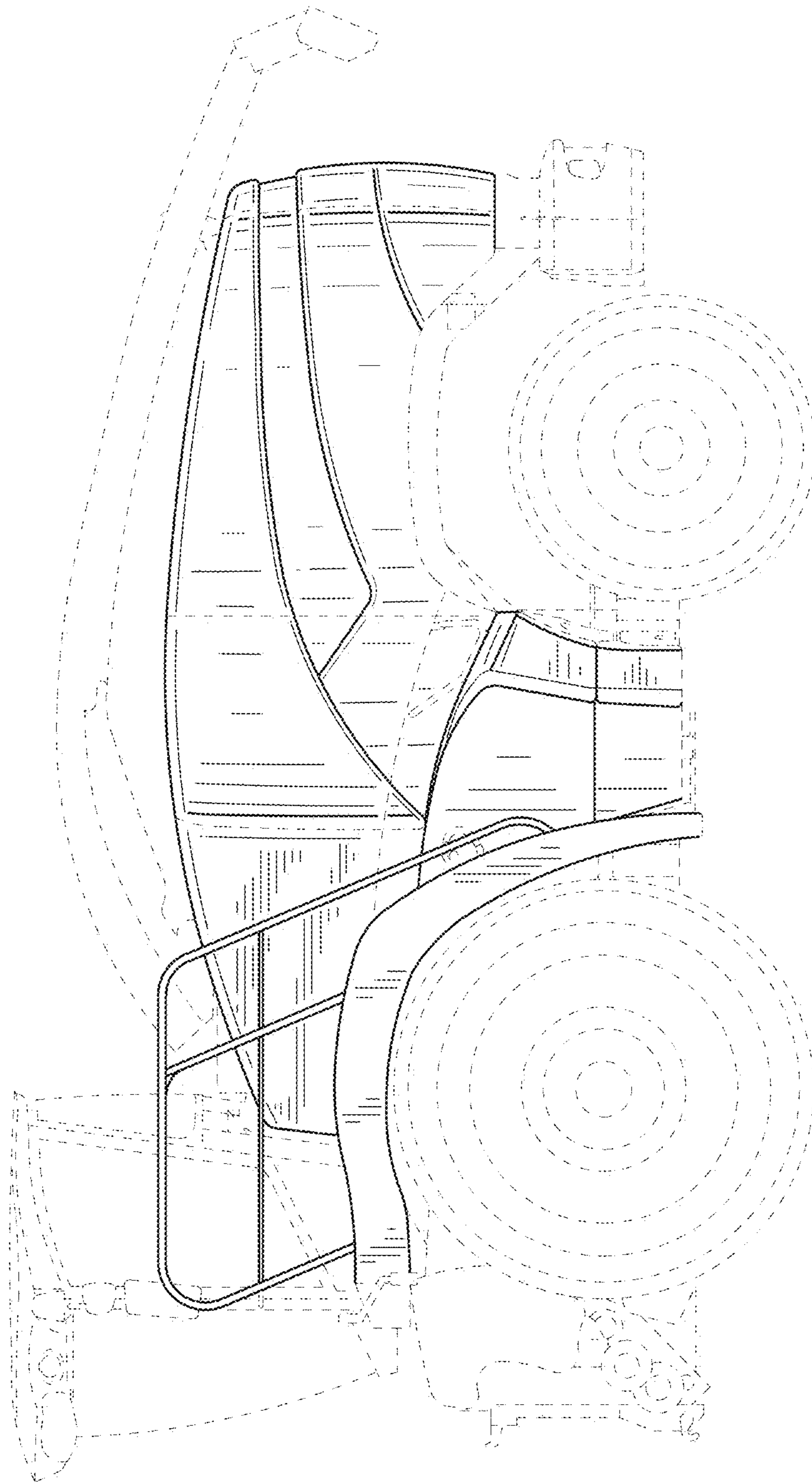


FIG. 10

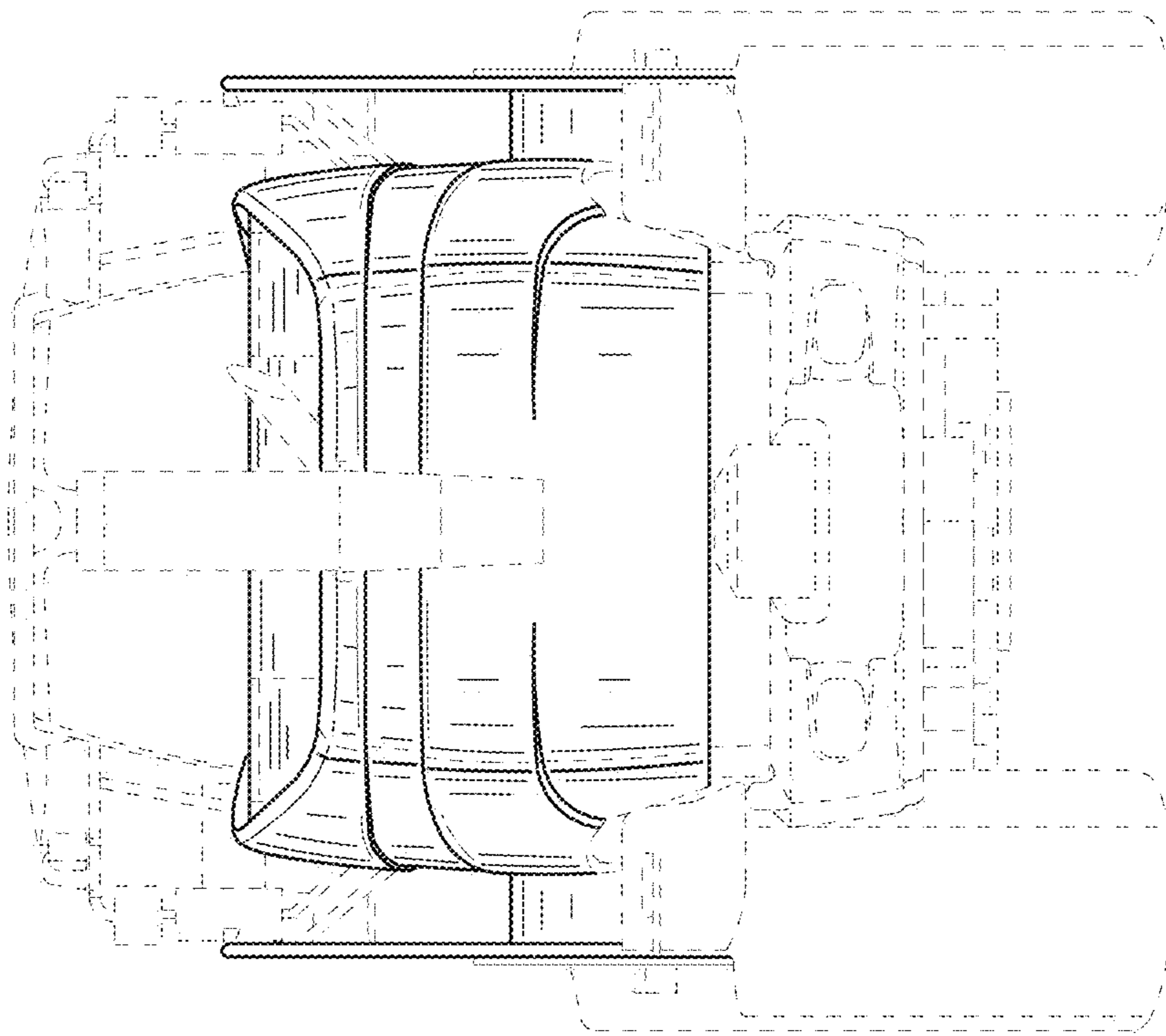


FIG. 11

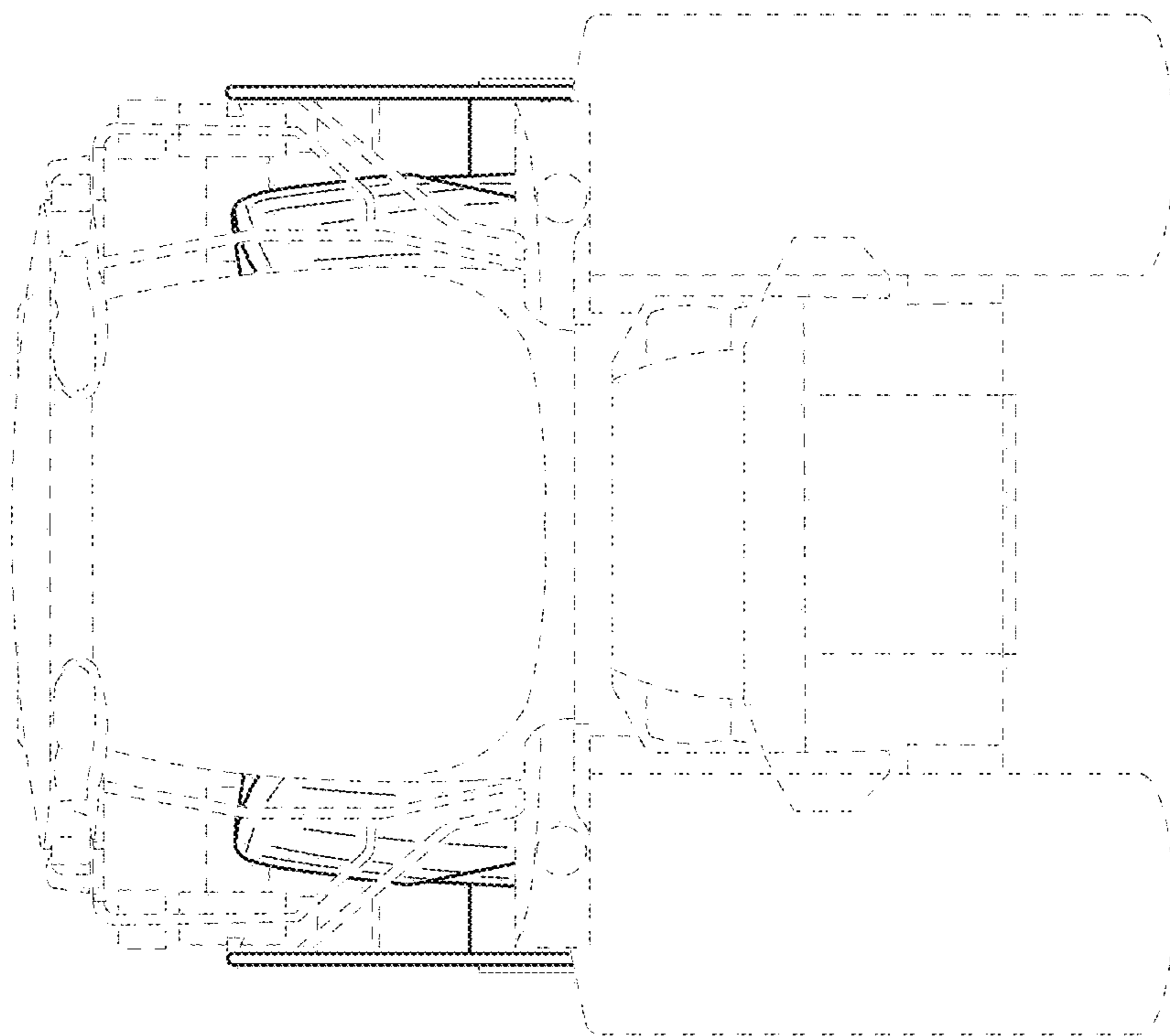


FIG. 12

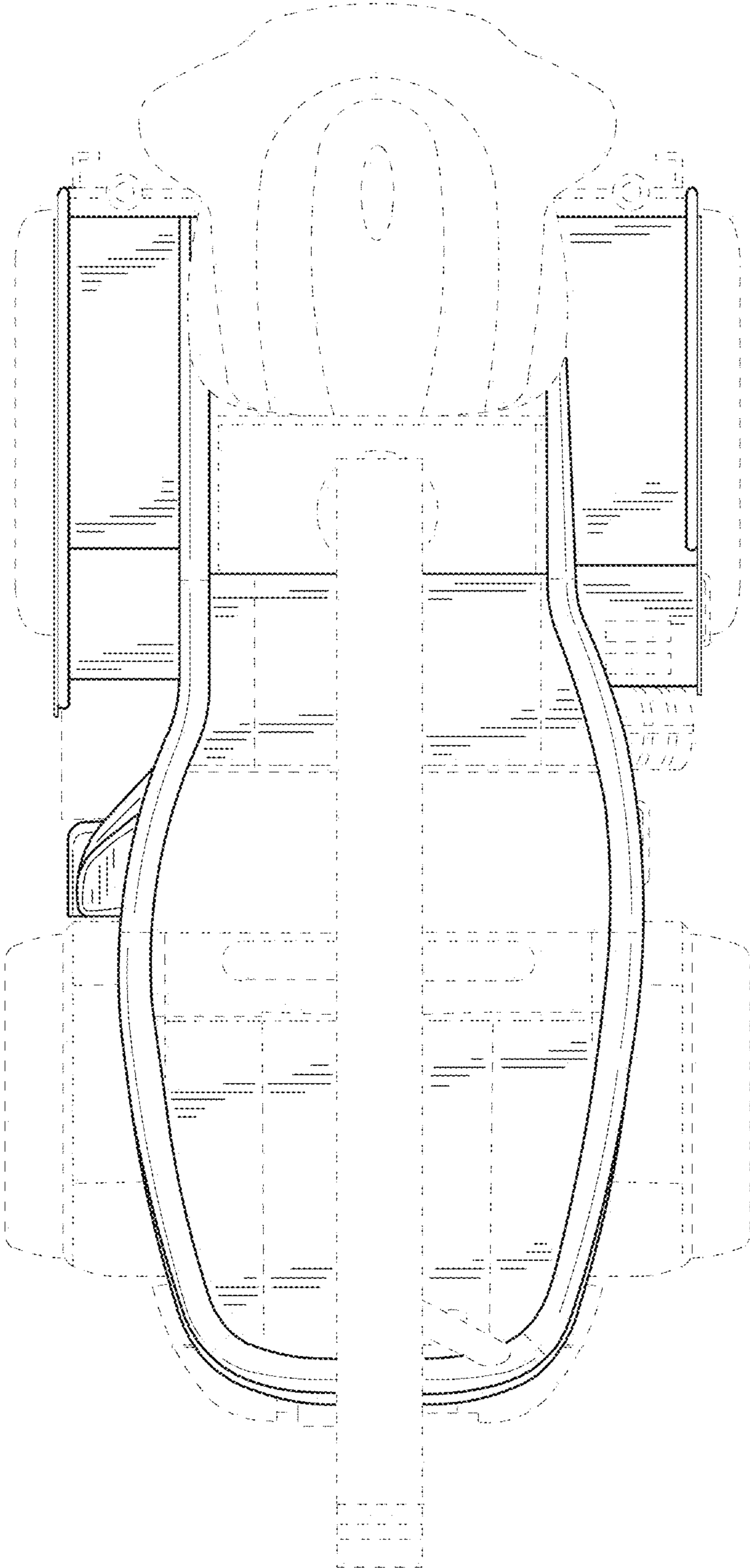


FIG. 13

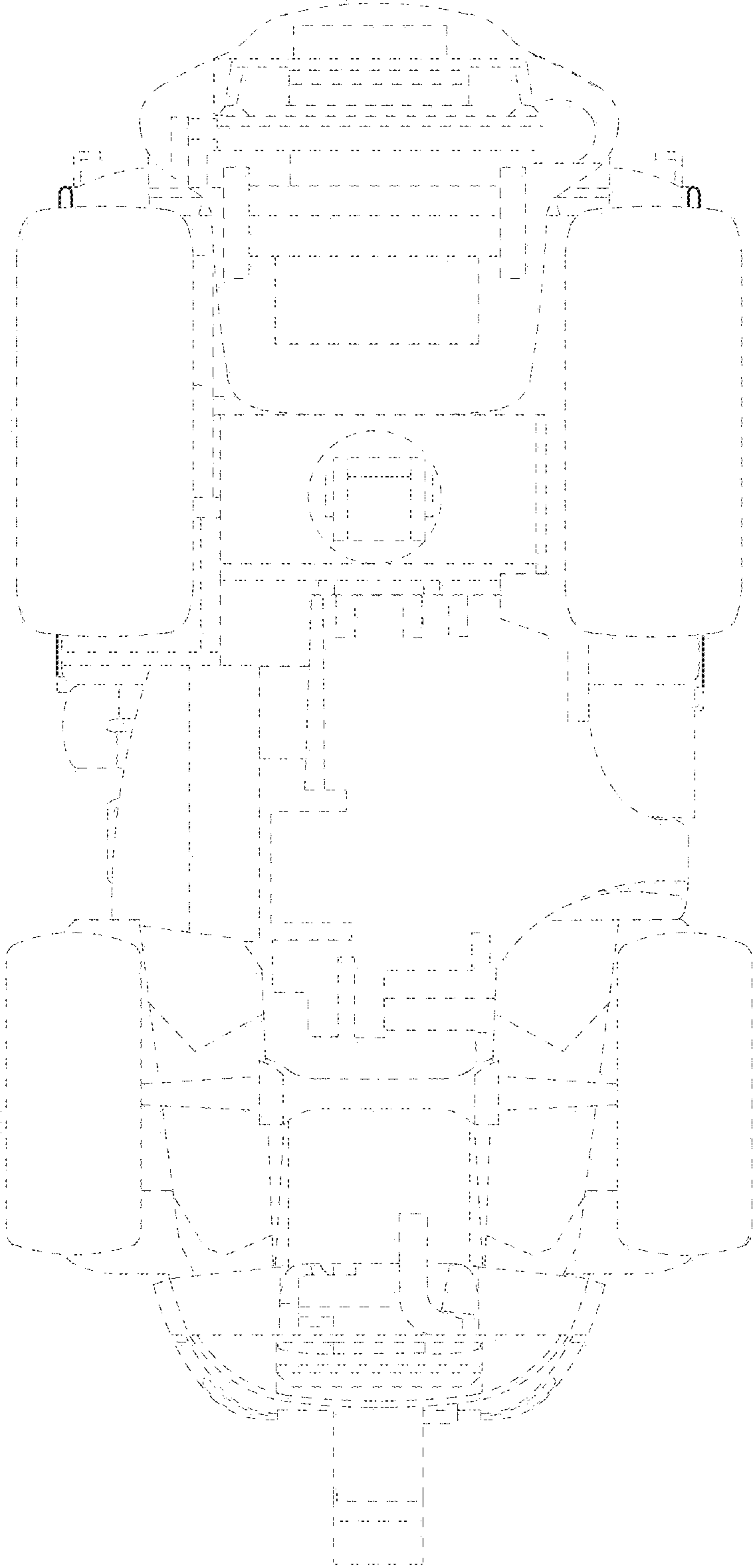


FIG. 14