



US00D743449S

(12) **United States Design Patent**
Okuyama et al.

(10) **Patent No.:** **US D743,449 S**

(45) **Date of Patent:** **** Nov. 17, 2015**

(54) **TRACTOR**

(71) Applicant: **Yanmar Co., Ltd.**, Osaka-shi, Osaka (JP)

(72) Inventors: **Kiyoyuki Okuyama**, Yamagata (JP);
Shinya Kawashiri, Osaka (JP)

(73) Assignee: **Yanmar Co., Ltd.**, Osaka (JP)

(**) Term: **14 Years**

(21) Appl. No.: **29/480,174**

(22) Filed: **Jan. 23, 2014**

(30) **Foreign Application Priority Data**

Jul. 24, 2013 (JP) 2013-16897

(51) **LOC (10) Cl.** **12-09**

(52) **U.S. Cl.**
USPC **D15/30; D15/23**

(58) **Field of Classification Search**
USPC D15/23, 33, 28, 30; 180/89.1, 89.18,
180/89.13, 89.19, 900; D34/35, 37;
296/102, 190.08

CPC .. B62D 33/0617; B62D 33/06; B62D 33/063;
B62D 25/2036; B62D 25/14

See application file for complete search history.

(56) **References Cited**

U.S. PATENT DOCUMENTS

| | | | | | | |
|--------------|----|---|---------|-------------------|-------|------------|
| D227,756 | S | * | 7/1973 | Smart et al. | | D34/37 |
| D249,254 | S | * | 9/1978 | Martin, Sr. | | D34/37 |
| D271,151 | S | * | 10/1983 | Kirby et al. | | D34/35 |
| D353,931 | S | * | 12/1994 | Kobayakawa et al. | | D34/34 |
| D389,984 | S | * | 1/1998 | Johansson | | D34/37 |
| 2002/0153748 | A1 | * | 10/2002 | Sakyo et al. | | 296/190.08 |
| 2008/0252102 | A1 | * | 10/2008 | Fukunaga et al. | | 296/190.08 |
| 2013/0221703 | A1 | * | 8/2013 | Kim | | 296/190.03 |
| 2014/0292035 | A1 | * | 10/2014 | Doi et al. | | 296/190.09 |

* cited by examiner

Primary Examiner — Cynthia Ramirez

(74) *Attorney, Agent, or Firm* — Sterne, Kessler, Goldstein & Fox P.L.L.C.

(57) **CLAIM**

The ornamental design for a tractor, as shown and described.

DESCRIPTION

FIG. 1 is a front perspective view of a tractor showing our new design;

FIG. 2 is a rear perspective view thereof;

FIG. 3 is a front view thereof;

FIG. 4 is a rear view thereof;

FIG. 5 is a top plan view thereof;

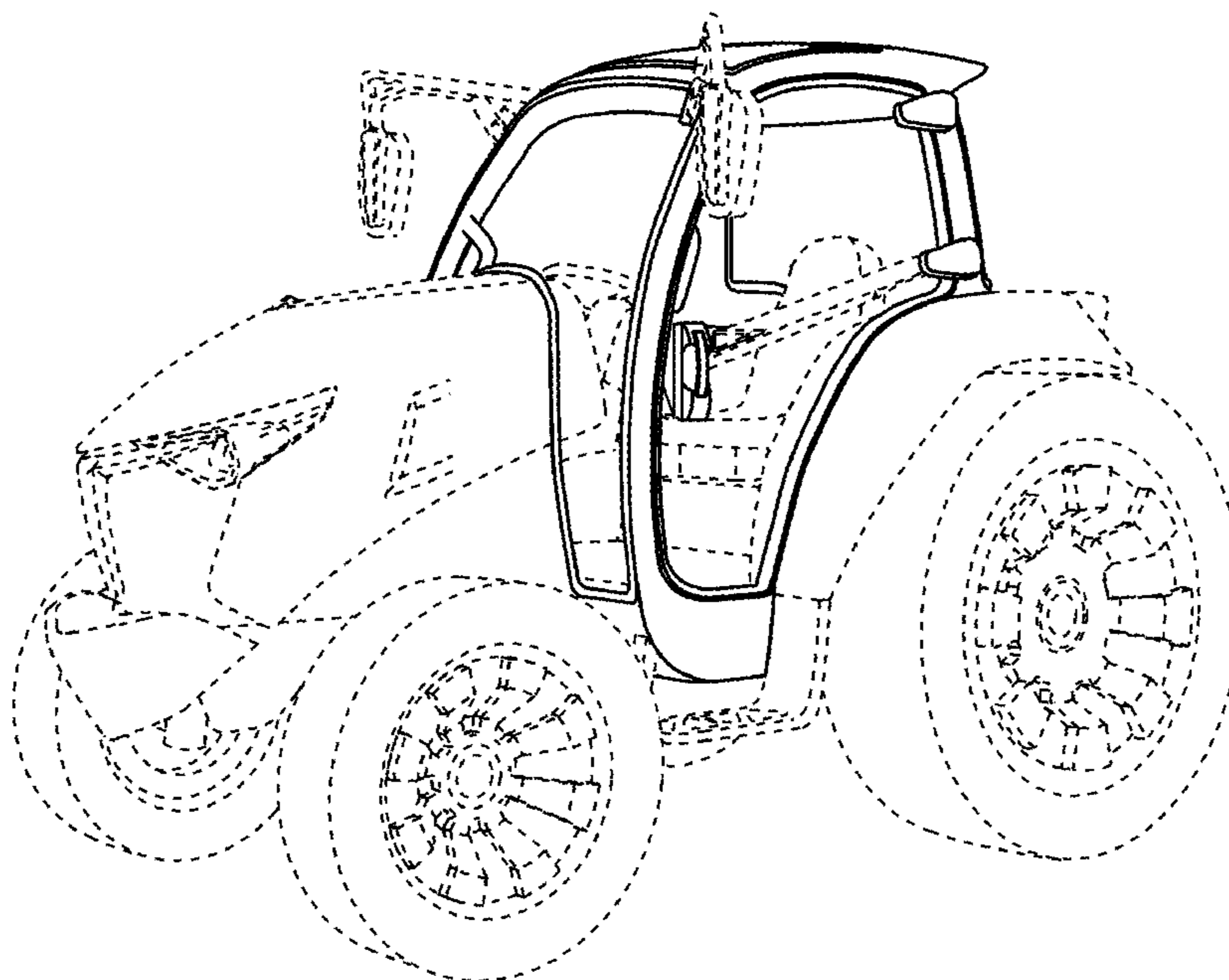
FIG. 6 is a bottom plan view thereof;

FIG. 7 is a left side view thereof; and,

FIG. 8 is a right side view thereof.

The broken lines shown in the drawings are included for the purpose of illustrating environment and form no part of the claimed design.

1 Claim, 8 Drawing Sheets



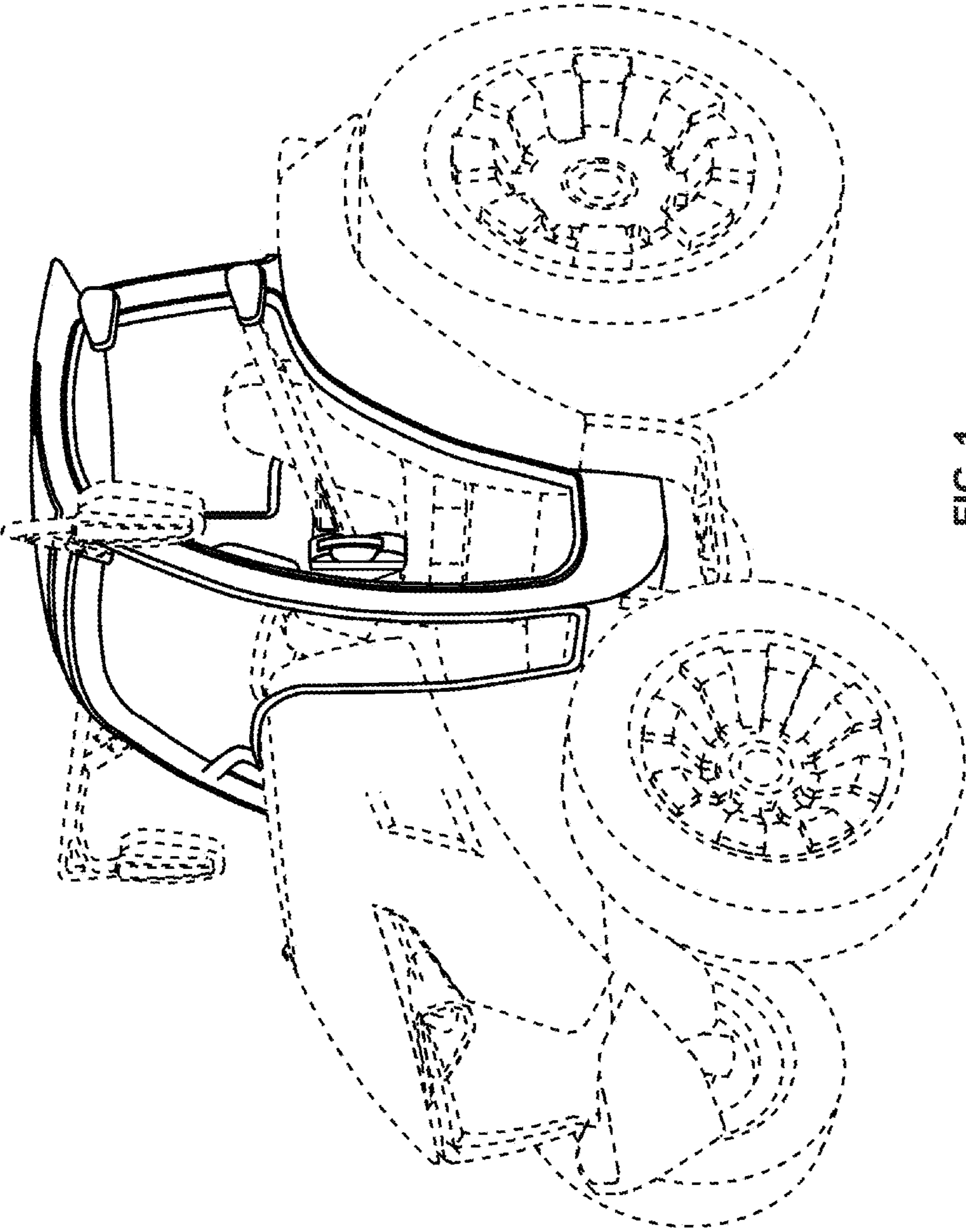


FIG. 1

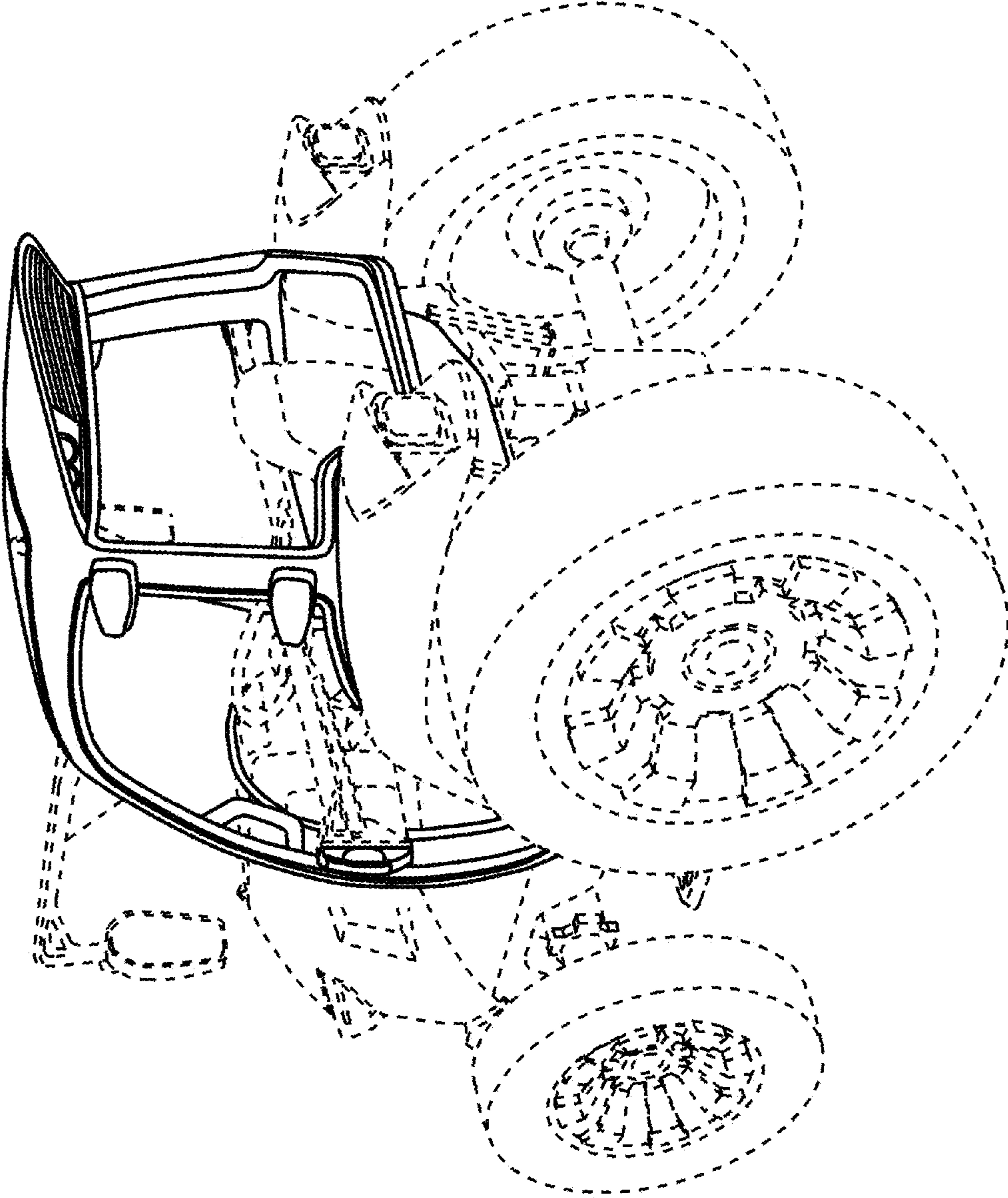


FIG. 2

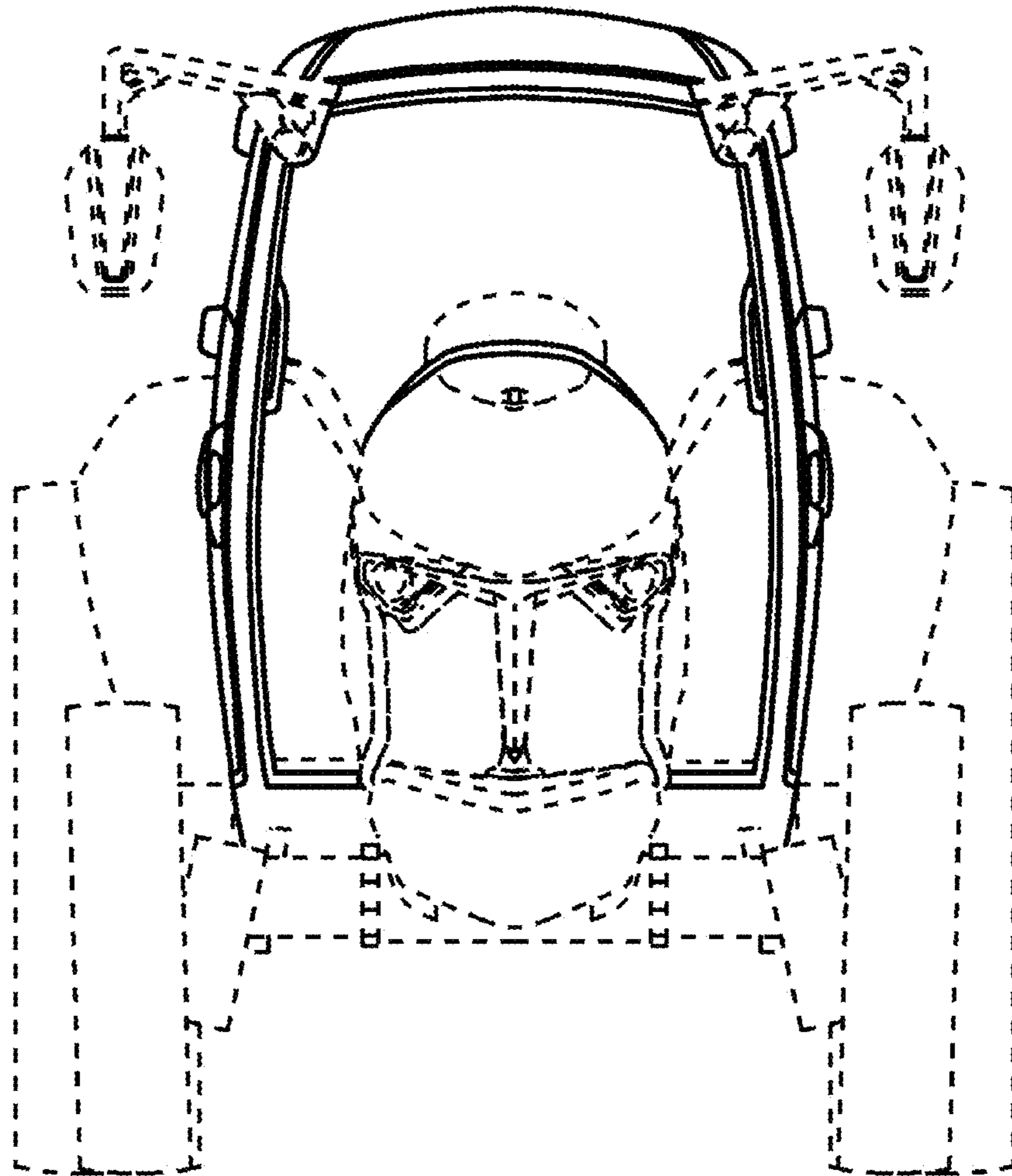


FIG. 3

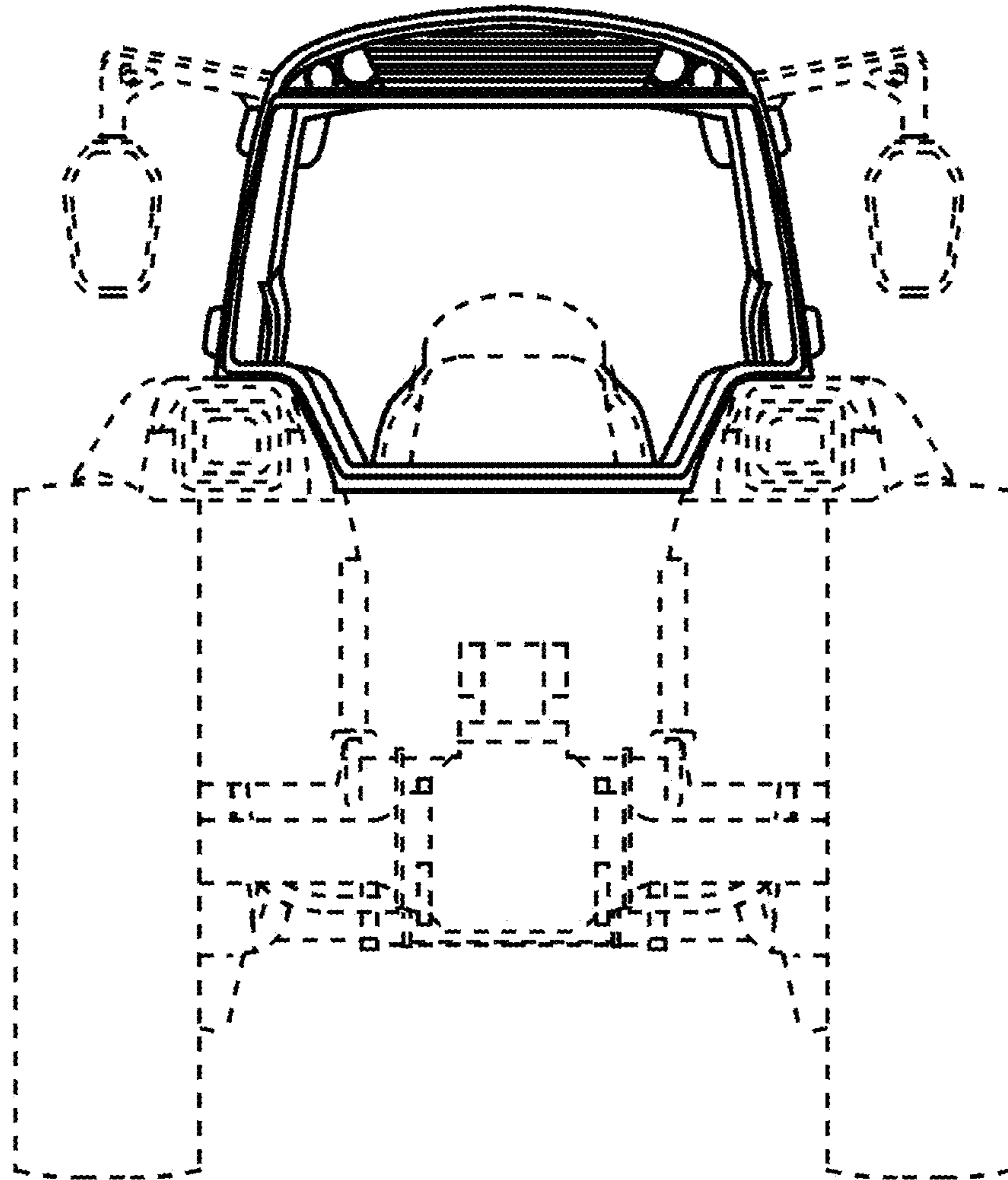


FIG. 4

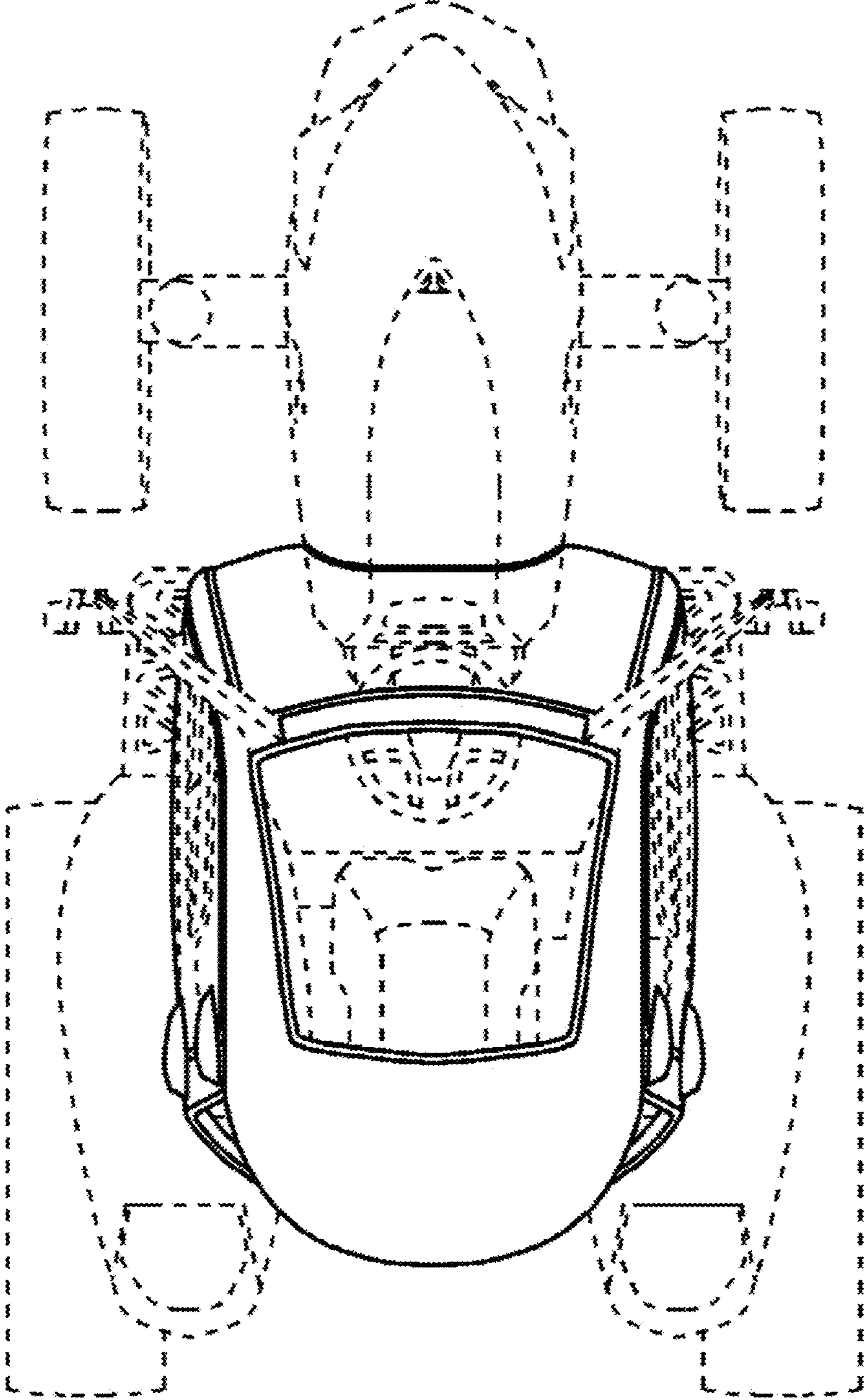


FIG. 5

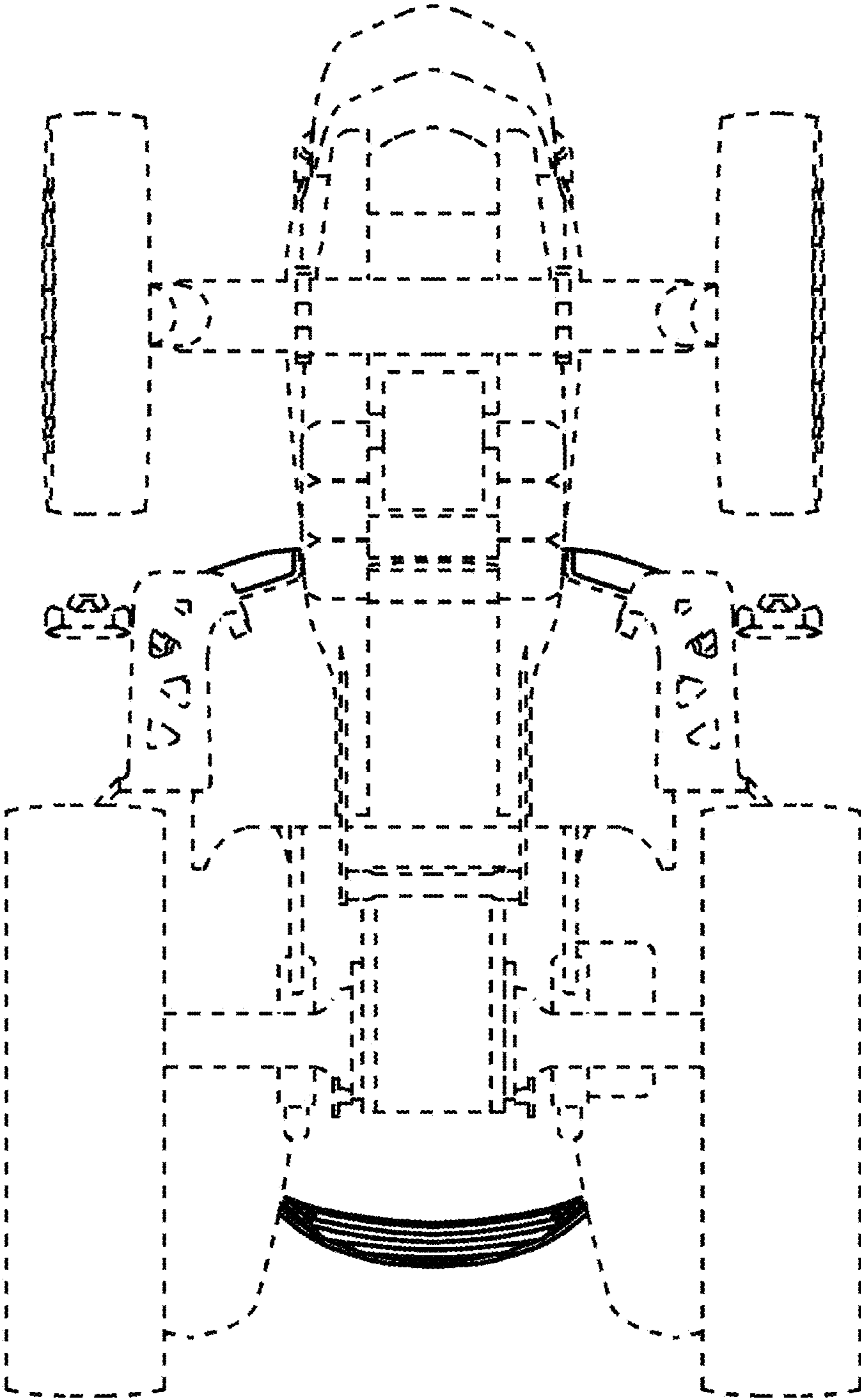


FIG. 6

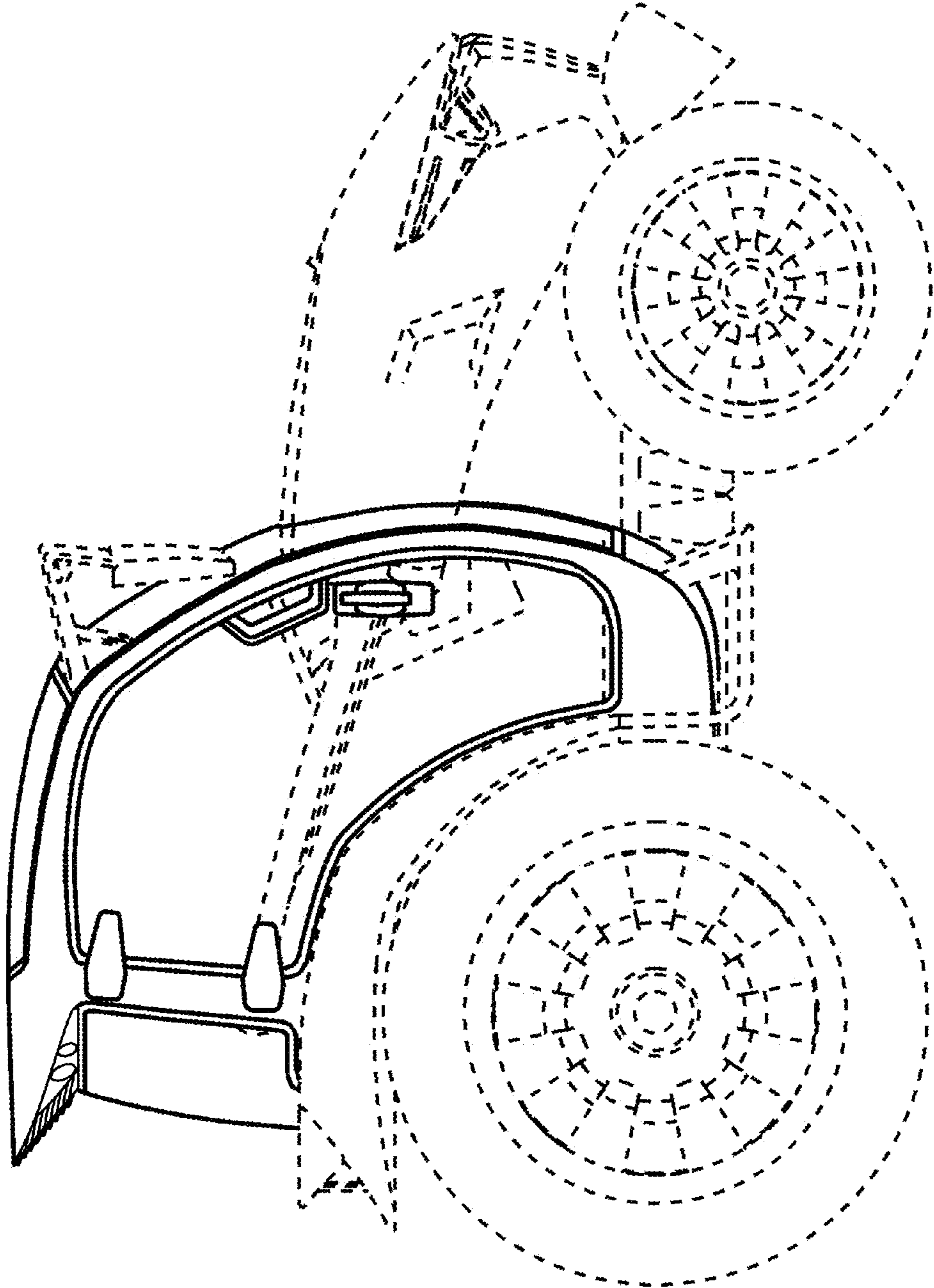


FIG. 7

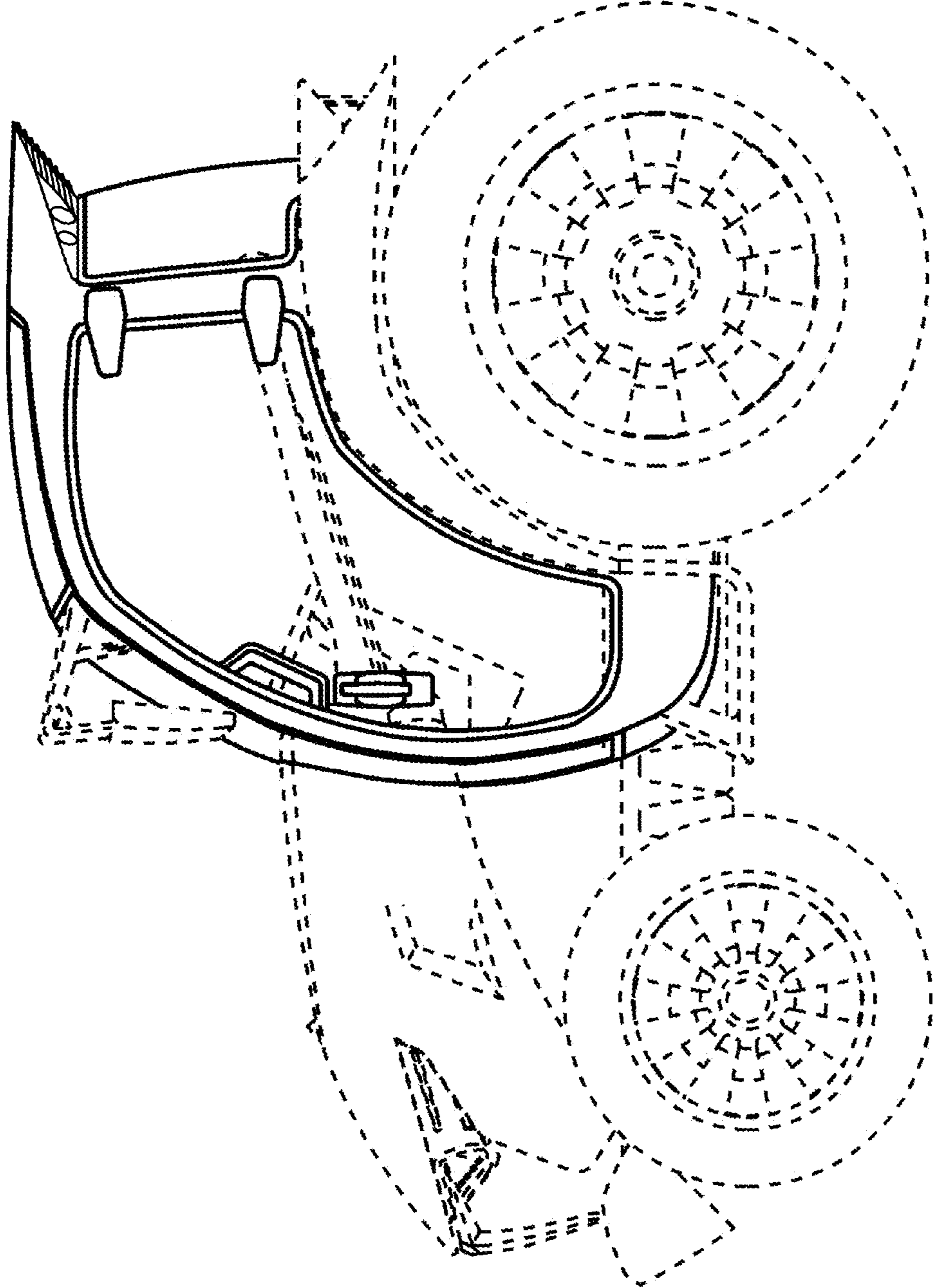


FIG. 8