



US00D743448S

(12) **United States Design Patent**  
**Nelson**

(10) **Patent No.:** **US D743,448 S**

(45) **Date of Patent:** **\*\* Nov. 17, 2015**

(54) **CUTTING BLADE FOR ROTARY TOOL**

(71) Applicant: **David Nelson**, Canton, NC (US)

(72) Inventor: **David Nelson**, Canton, NC (US)

(\*\*) Term: **14 Years**

(21) Appl. No.: **29/490,645**

(22) Filed: **May 12, 2014**

(51) **LOC (10) Cl.** ..... **15-03**

(52) **U.S. Cl.**  
USPC ..... **D15/29**; D15/17

(58) **Field of Classification Search**  
USPC ..... D8/7, 8, 9, 20; D15/29, 17; 56/295,  
56/255, DIG. 17; 30/347; 241/277, 292.1;  
83/663

CPC .. A01D 34/73; A01D 34/005; Y10T 83/9372;  
Y10S 56/17; Y10S 56/20; B26B 7/005;  
B26B 9/02

See application file for complete search history.

(56) **References Cited**

**U.S. PATENT DOCUMENTS**

2,857,729	A *	10/1958	Zoldok	.....	56/295
3,225,527	A *	12/1965	Spear	.....	56/12.1
4,072,195	A *	2/1978	Carlson	.....	172/15
D260,397	S *	8/1981	Bartlett et al.	.....	D15/11
D268,641	S *	4/1983	Bonforte	.....	D15/17
4,547,966	A *	10/1985	Eden	.....	30/300
D372,408	S *	8/1996	Robbins	.....	D8/8
D440,580	S *	4/2001	Cooper et al.	.....	D15/17
6,301,868	B1 *	10/2001	Siplinger	.....	56/295
D458,283	S *	6/2002	Stanley	.....	D15/139
D502,185	S *	2/2005	Byrne	.....	D15/17
6,857,481	B1 *	2/2005	Hayes	.....	172/15
D523,448	S *	6/2006	Jackson	.....	D15/28

D577,372	S *	9/2008	Hung	.....	D15/17
7,617,664	B1 *	11/2009	Fitzpatrick	.....	56/295
D609,251	S *	2/2010	Roth	.....	D15/17
D627,797	S *	11/2010	Neuerburg	.....	D15/17
D633,110	S *	2/2011	Neuerburg	.....	D15/17
D649,981	S *	12/2011	Roth et al.	.....	D15/17
D656,519	S *	3/2012	Funnell	.....	D15/17
D675,073	S *	1/2013	Milburn	.....	D8/8
8,458,998	B2 *	6/2013	Smith	.....	56/255
D694,781	S *	12/2013	Roth	.....	D15/17
D694,782	S *	12/2013	Roth	.....	D15/17
D695,790	S *	12/2013	Carra	.....	D15/17

\* cited by examiner

*Primary Examiner* — Mark Goodwin

(74) *Attorney, Agent, or Firm* — Andrew C. Aitken

(57) **CLAIM**

The ornamental design for a cutting blade for rotary tool, as shown and described.

**DESCRIPTION**

FIG. 1 is a top view of a cutting blade for rotary tool showing my new design;

FIG. 2 is a perspective view of the design;

FIG. 3 is a another perspective view of the design;

FIG. 4 is a first end view in elevation of the new design;

FIG. 5 is a view in elevation of the opposite end;

FIG. 6 is a front view in elevation of the design in elevation;

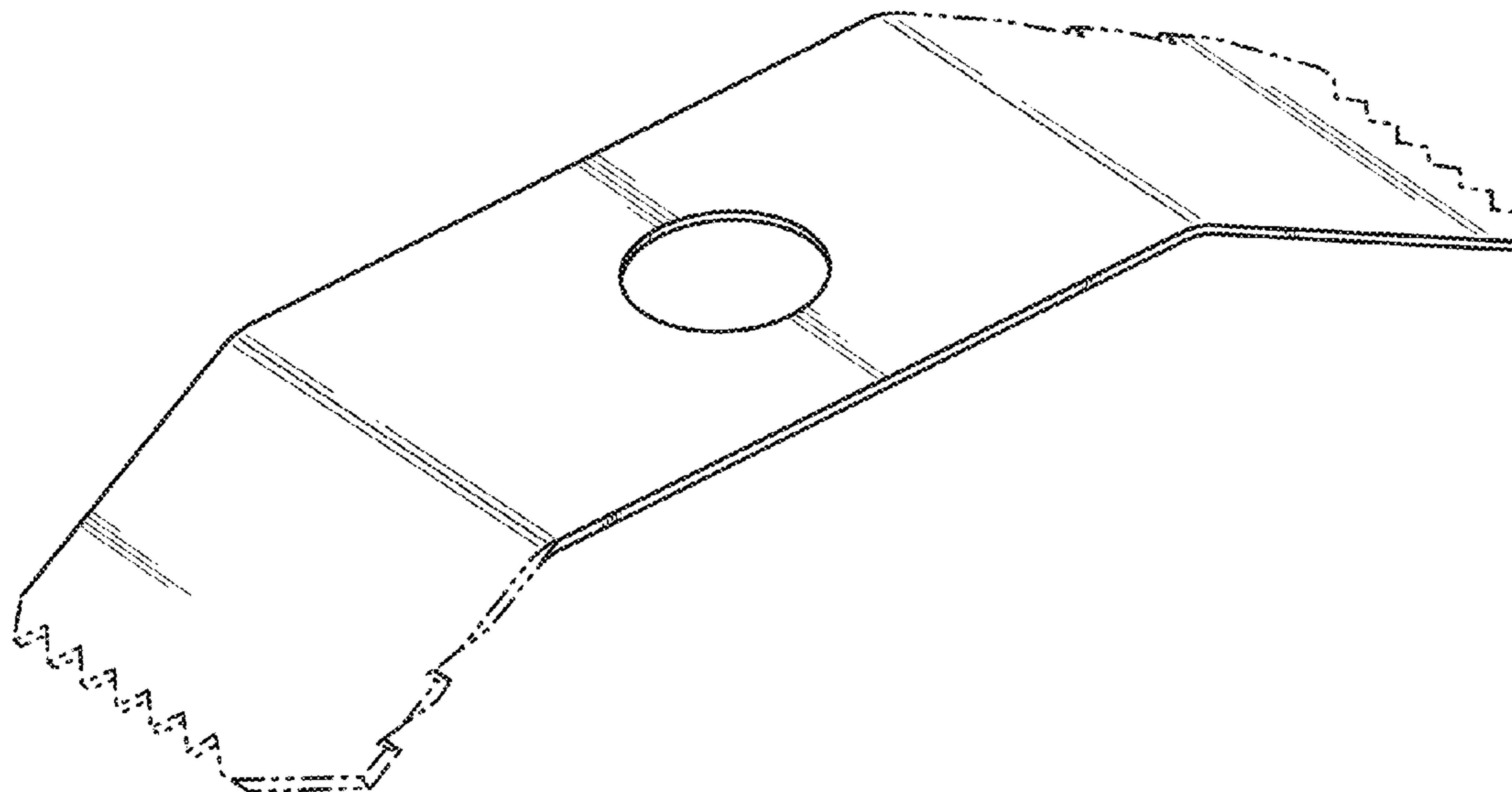
FIG. 7 is a rear view in elevation of the design; and,

FIG. 8 is a bottom view in elevation of the design.

All surface ornamentation depicted in the figures such as shading and reflections is disclaimed and forms no part of the claimed design.

The broken line showing of the cutting edge is included for the purpose of illustrating portions of a cutting blade for rotary tool and forms no part of the claimed design.

**1 Claim, 6 Drawing Sheets**



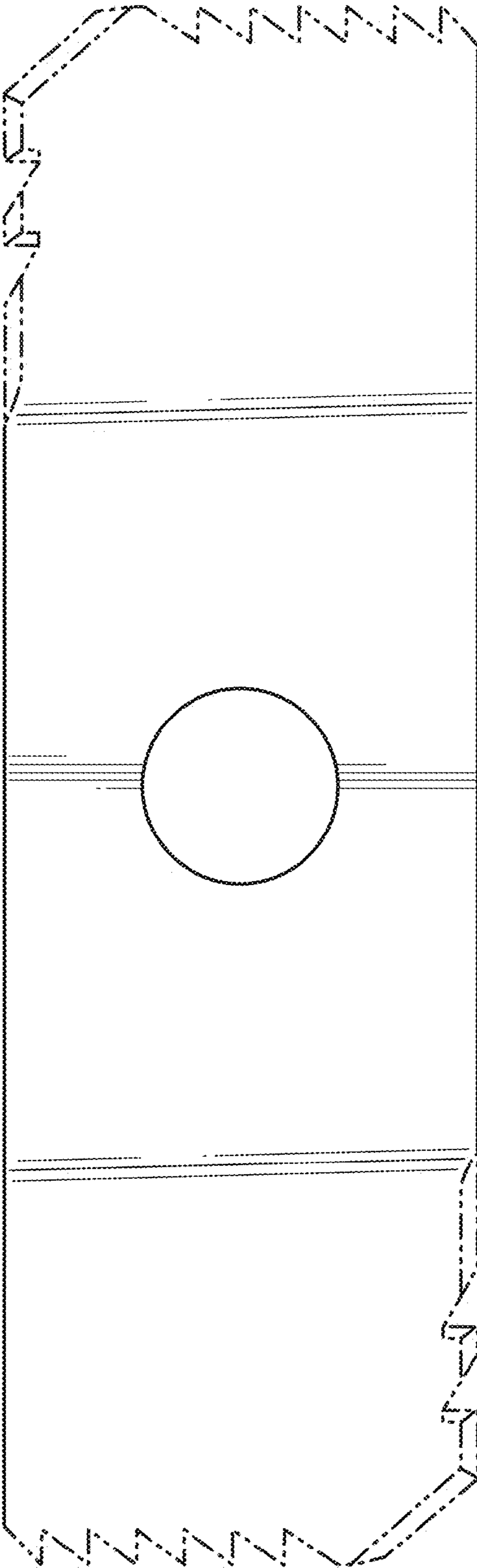


FIG. 1

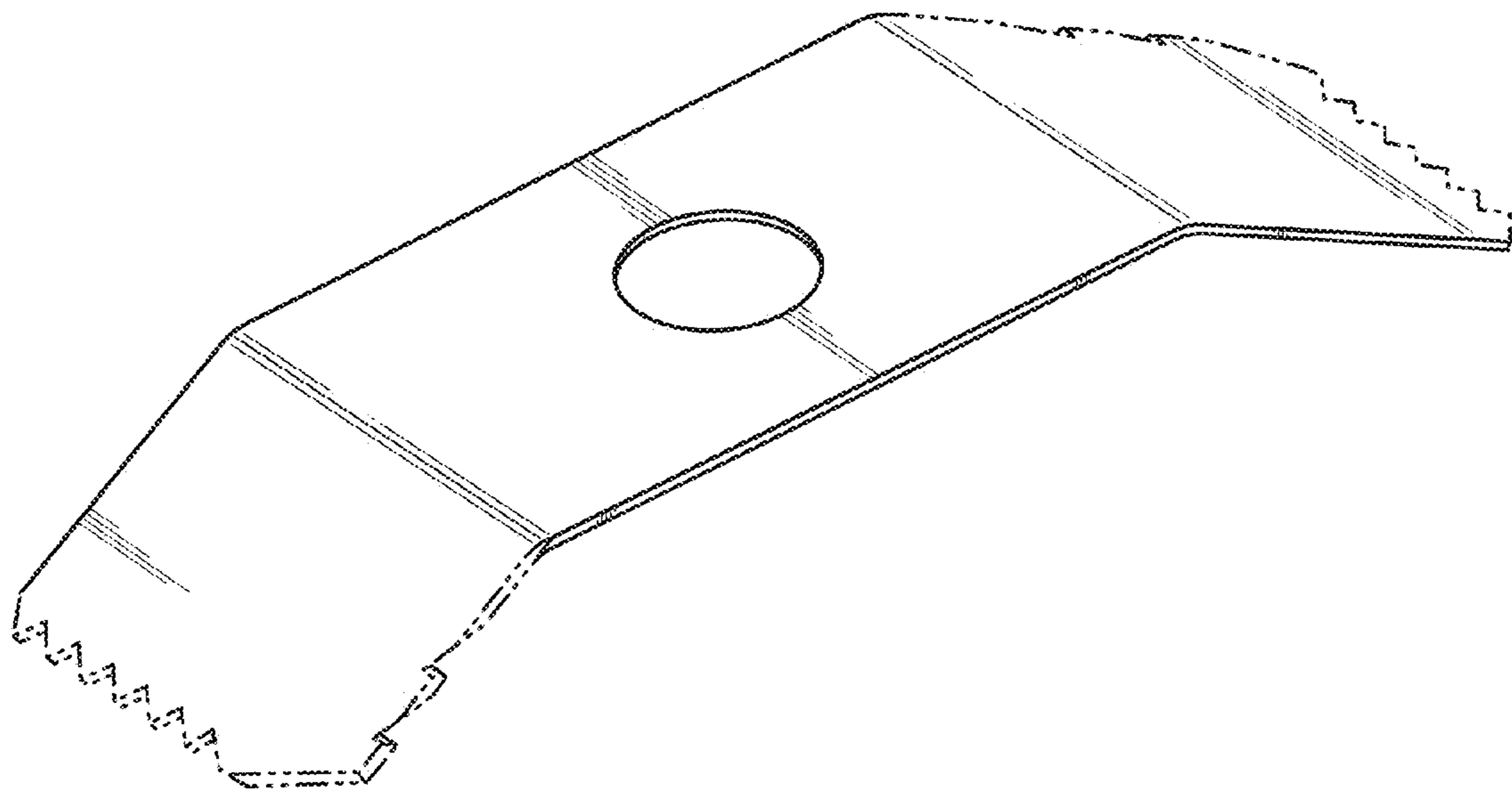


FIG. 2

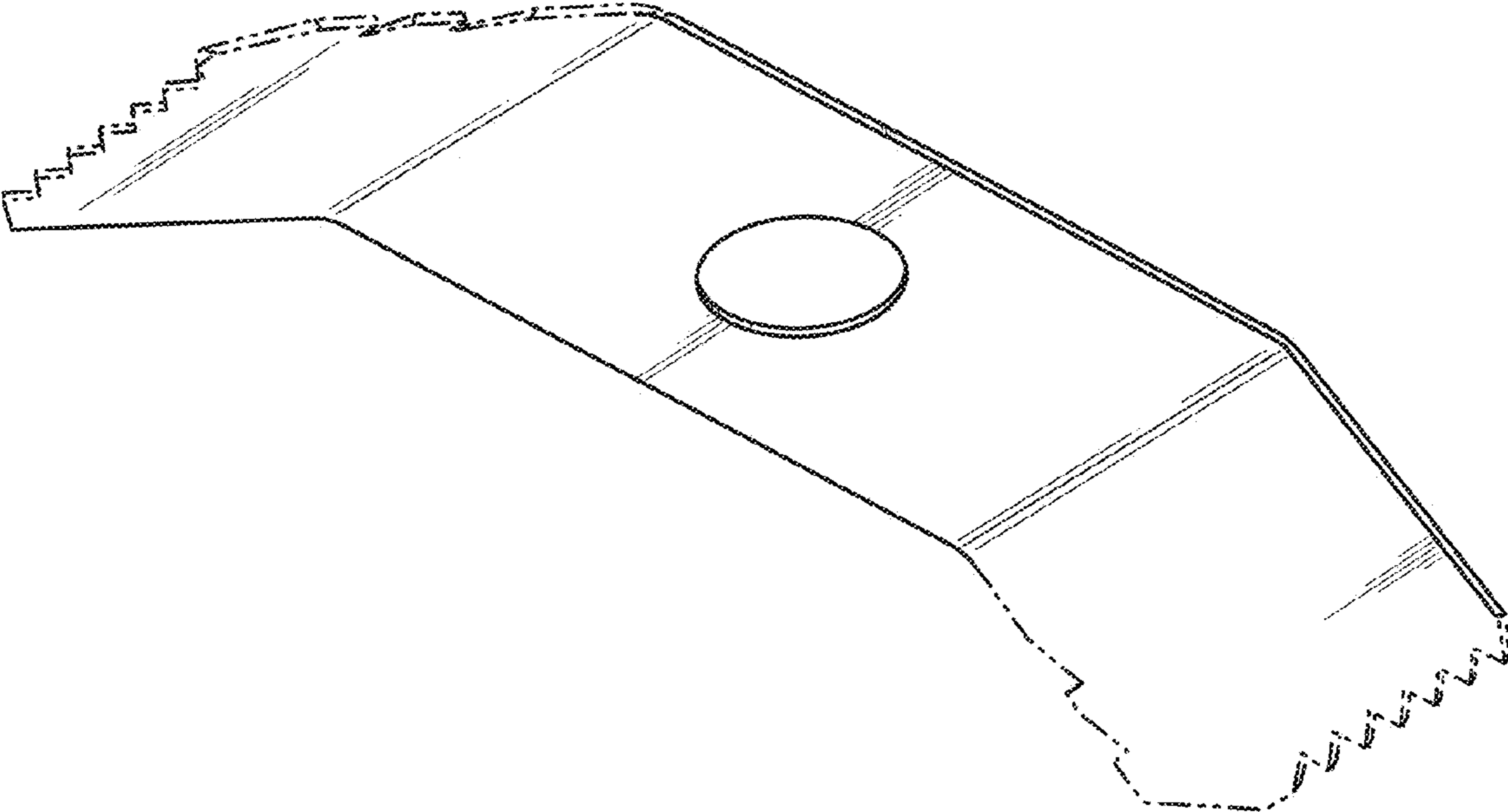


FIG. 3

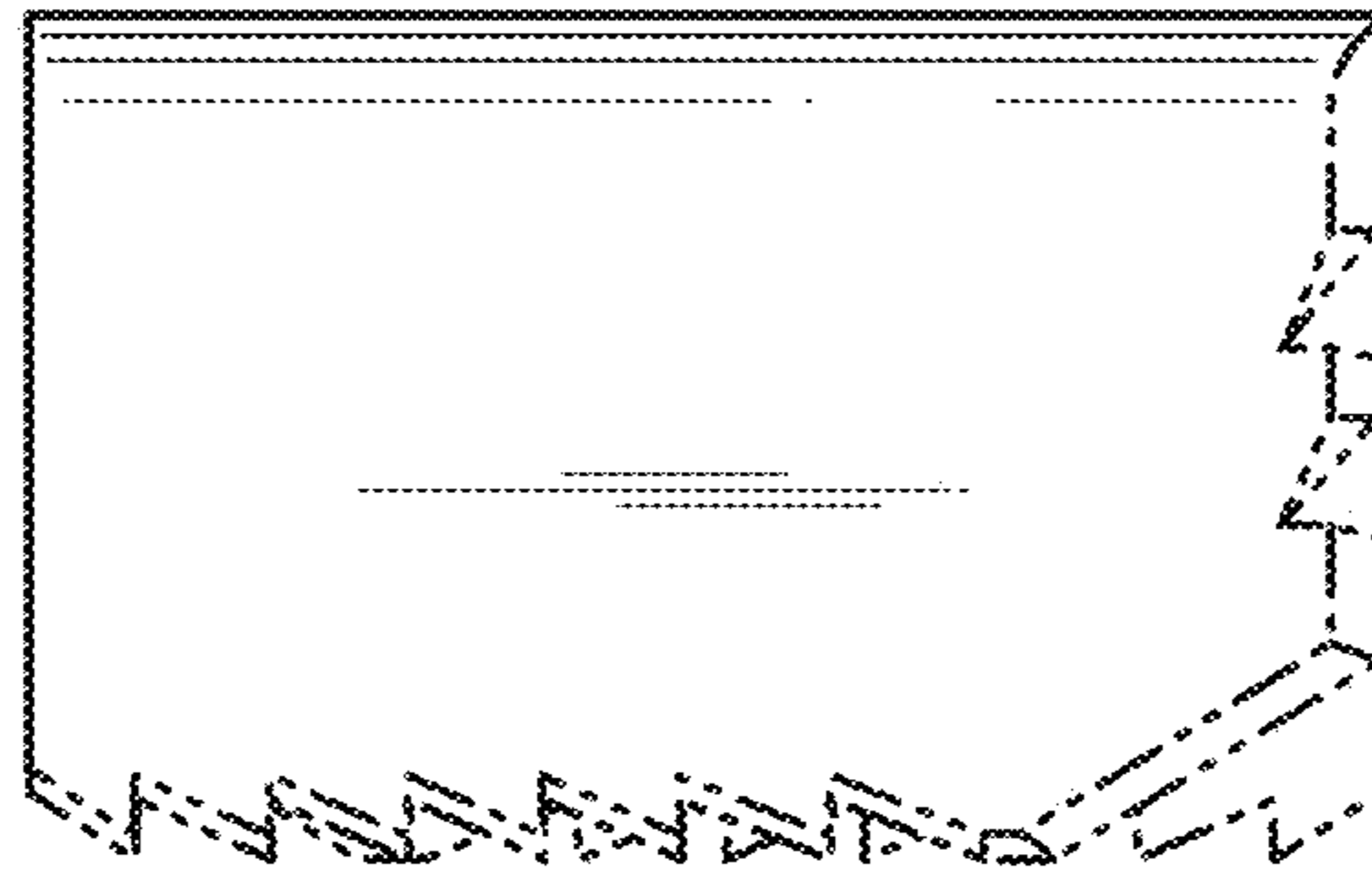


FIG. 4

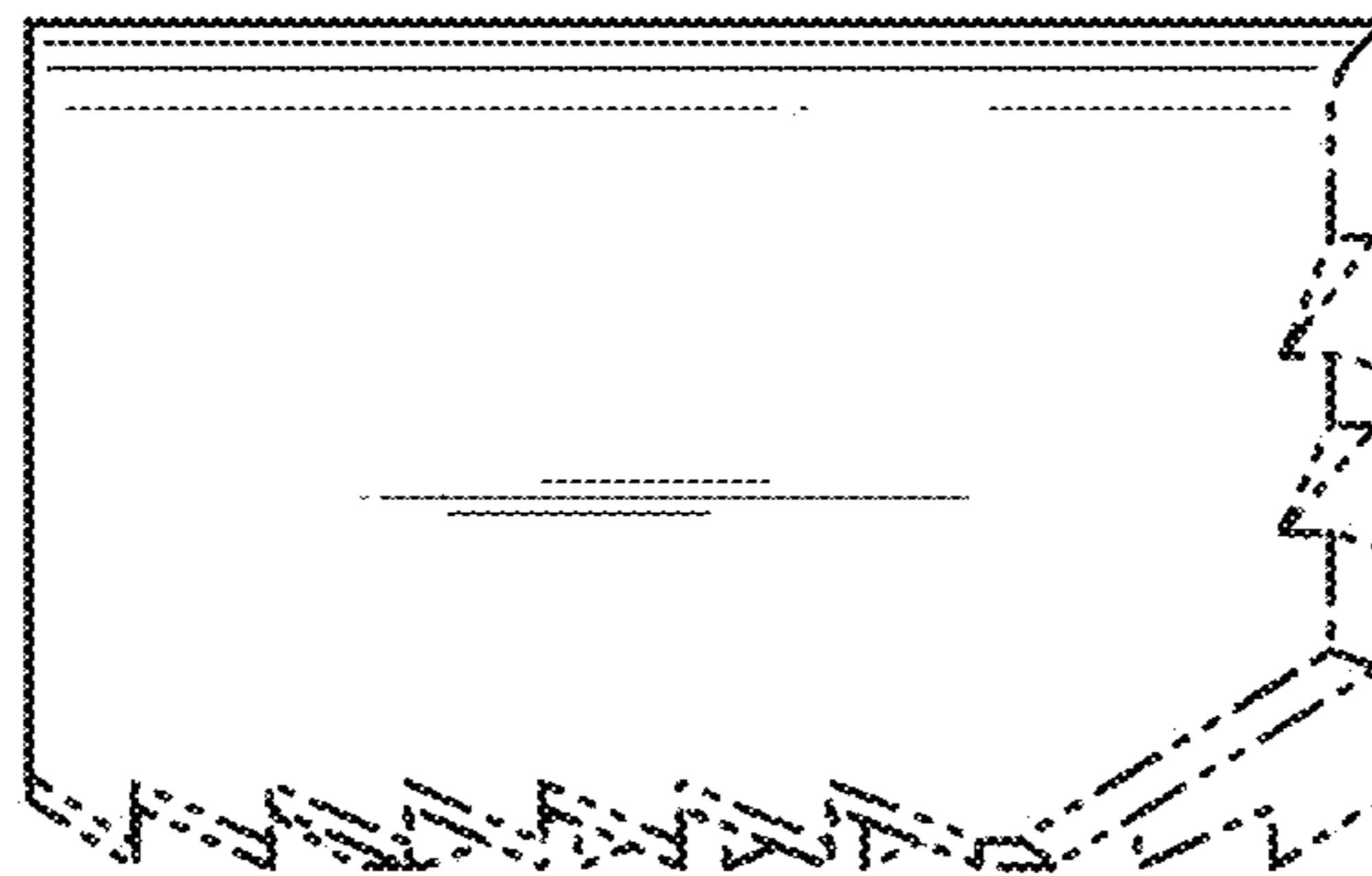
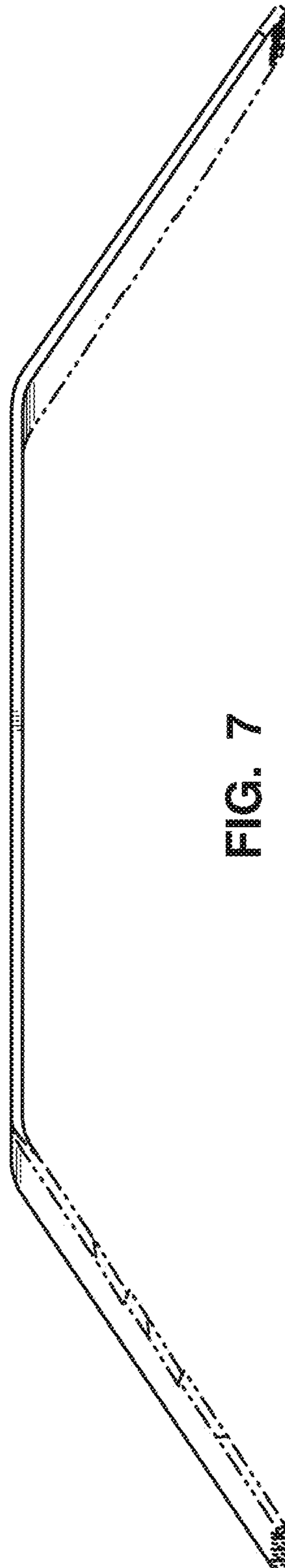


FIG. 5



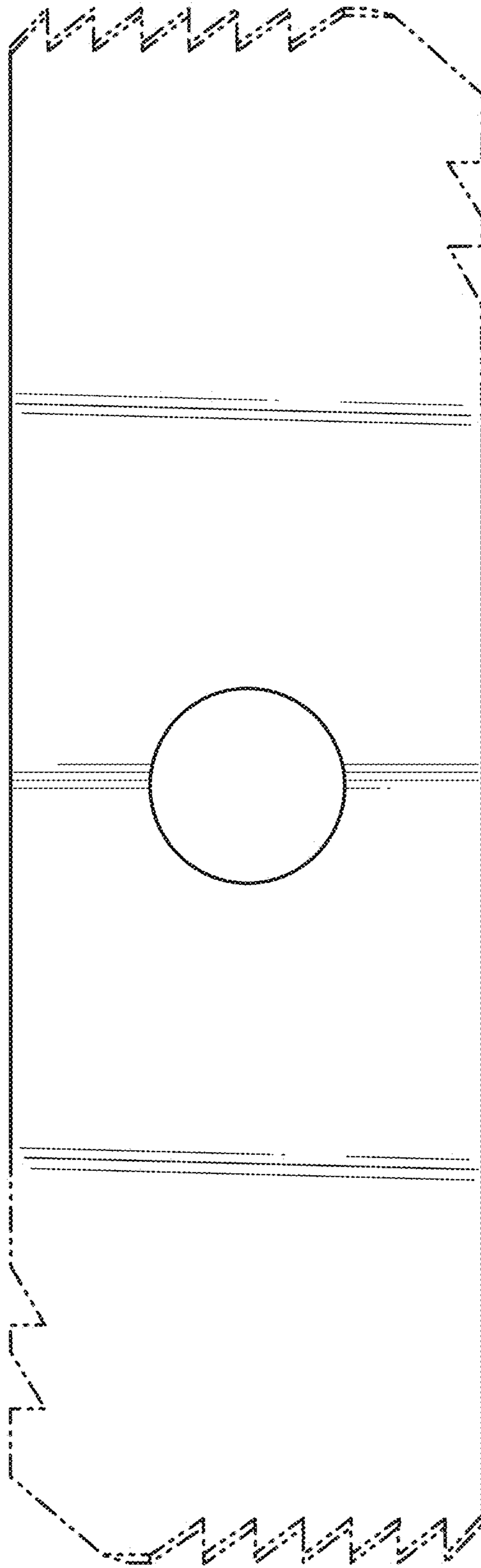


FIG. 8