



US00D743446S

(12) **United States Design Patent**
Jones et al.

(10) **Patent No.:** **US D743,446 S**
(45) **Date of Patent:** **** Nov. 17, 2015**

(54) **COUPLER**

(75) Inventors: **Donald W. Jones**, Belton, TX (US);
Robert Frost, Belton, TX (US)

(73) Assignee: **Belltec Industries, Inc.**, Belton, TX
(US)

(**) Term: **14 Years**

(21) Appl. No.: **29/424,874**

(22) Filed: **Jun. 15, 2012**

(51) **LOC (10) Cl.** **15-03**

(52) **U.S. Cl.**
USPC **D15/21**

(58) **Field of Classification Search**
USPC D15/21, 28; 37/446, 455, 456, 459;
70/14, 51, 52, 57, 262, 431
See application file for complete search history.

(56) **References Cited**

U.S. PATENT DOCUMENTS

3,526,435	A *	9/1970	Krekeler	299/109
D271,375	S *	11/1983	Baroody	D8/382
D271,376	S *	11/1983	Baroody	D8/382
5,617,655	A *	4/1997	Lauder et al.	37/457
D413,126	S *	8/1999	Warren et al.	D15/21
5,937,550	A *	8/1999	Emrich	37/458
5,992,063	A *	11/1999	Mack	37/450
6,439,796	B1 *	8/2002	Ruvang et al.	403/157

7,162,818	B2 *	1/2007	Ruvang et al.	37/456
7,313,877	B2 *	1/2008	Clendenning et al.	37/456
D583,224	S *	12/2008	Holdsworth	D8/382
D585,916	S *	2/2009	Greenleaf	D15/128
D588,445	S *	3/2009	Holdsworth	D8/382
D594,317	S *	6/2009	Anthony	D8/382
D614,476	S *	4/2010	Buhse	D8/343
D634,605	S *	3/2011	Guimaraes	D8/343
D644,249	S *	8/2011	Tapper	D15/5
D672,794	S *	12/2012	Frazier	D15/139
D703,031	S *	4/2014	Thach	D8/382
2006/0037219	A1 *	2/2006	Robinson et al.	37/456
2006/0236567	A1 *	10/2006	Adamic	37/452
2008/0209772	A1 *	9/2008	Cui	37/456
2010/0162595	A1 *	7/2010	Leslie et al.	37/456
2010/0170119	A1 *	7/2010	Lopez Almendros et al.	..	37/452
2010/0229433	A1 *	9/2010	Leslie et al.	37/456

* cited by examiner

Primary Examiner — Mark Goodwin

(74) *Attorney, Agent, or Firm* — Anthony V. S. England

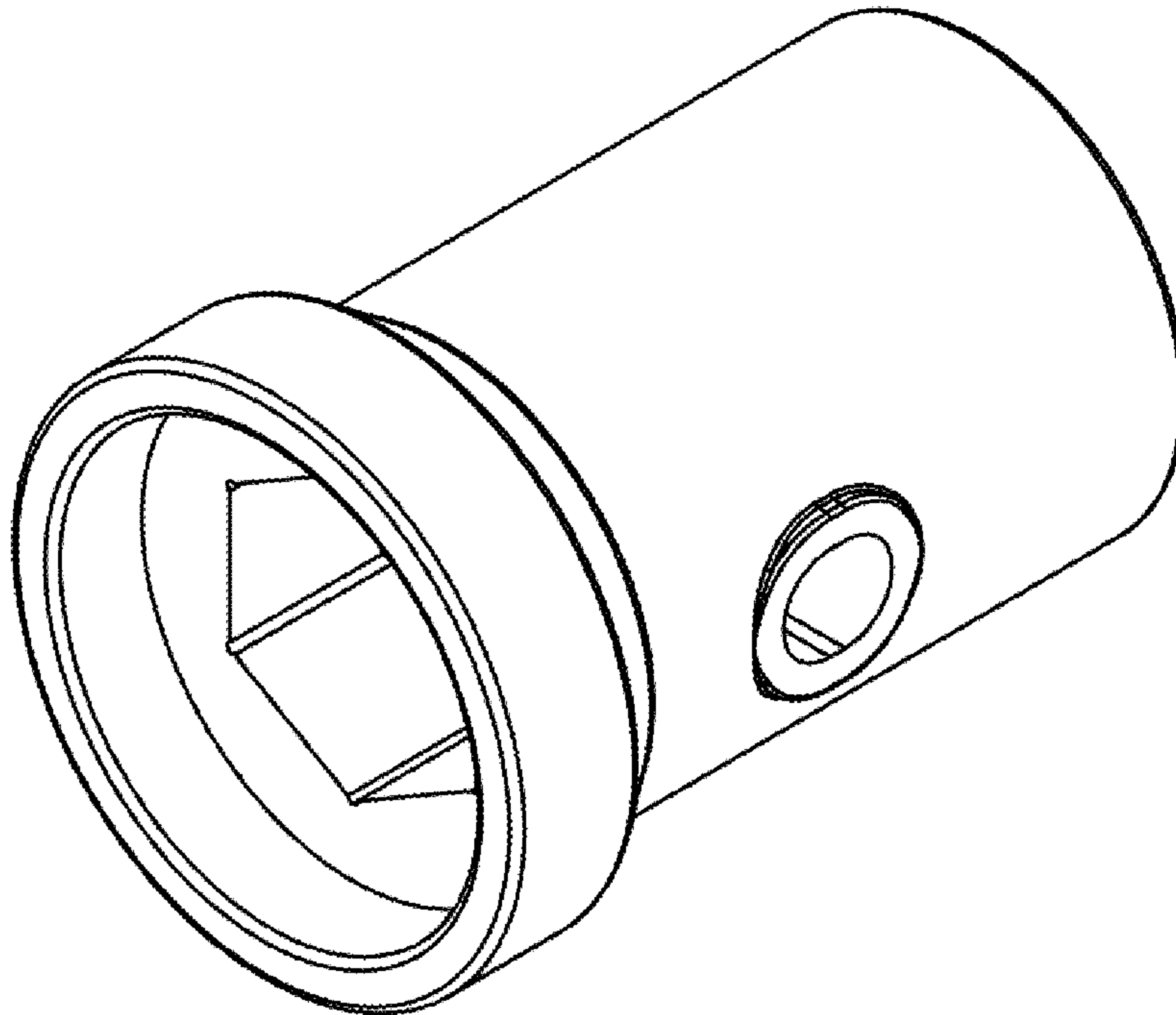
(57) **CLAIM**

The ornamental design for a coupler, as shown and described.

DESCRIPTION

FIG. 1 is an end view of a coupler showing my new design; FIG. 2 is a side view thereof; and, FIG. 3 is an isometric view thereof. The opposite end and opposite side views form no part of the claimed design.

1 Claim, 1 Drawing Sheet



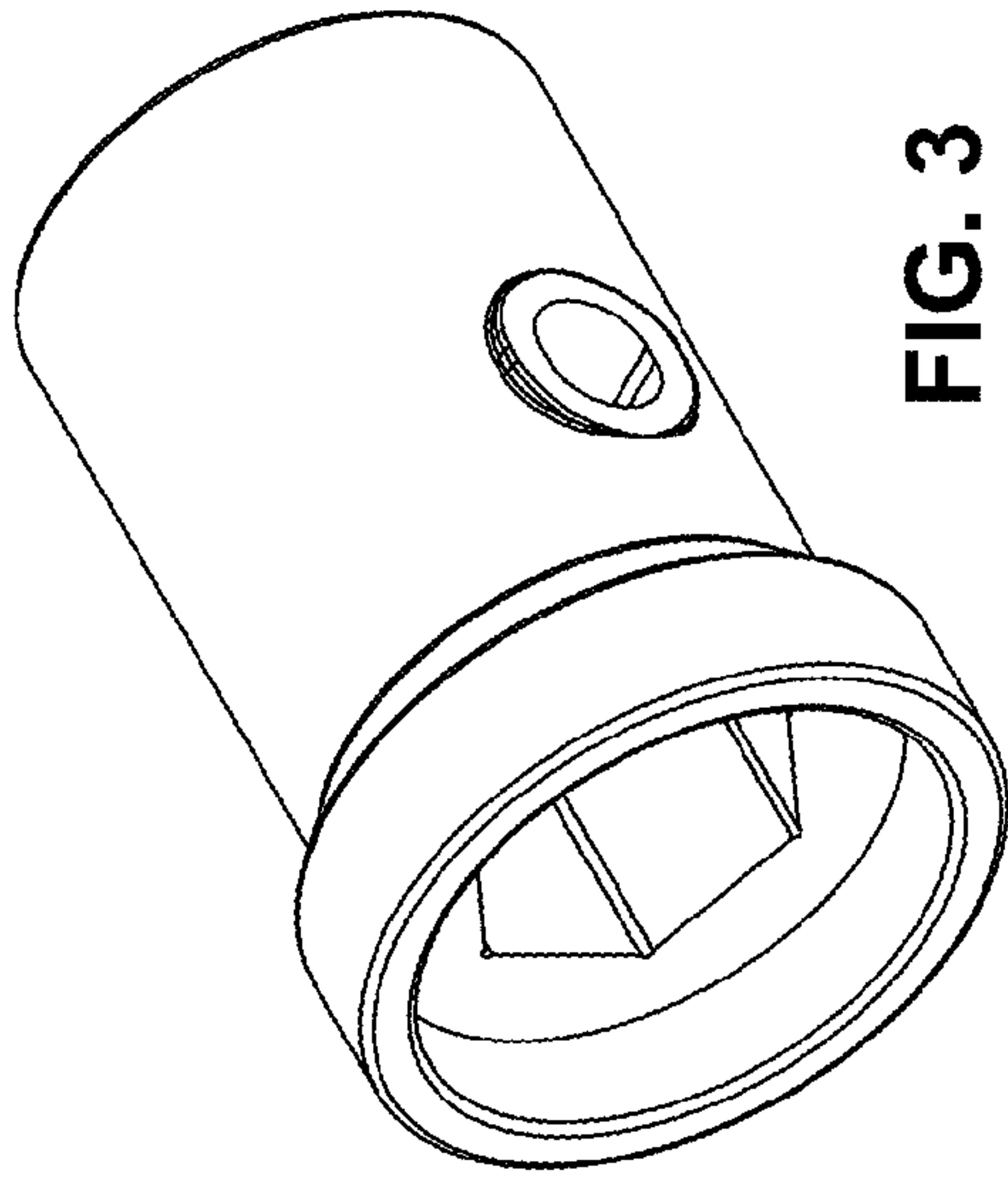


FIG. 3

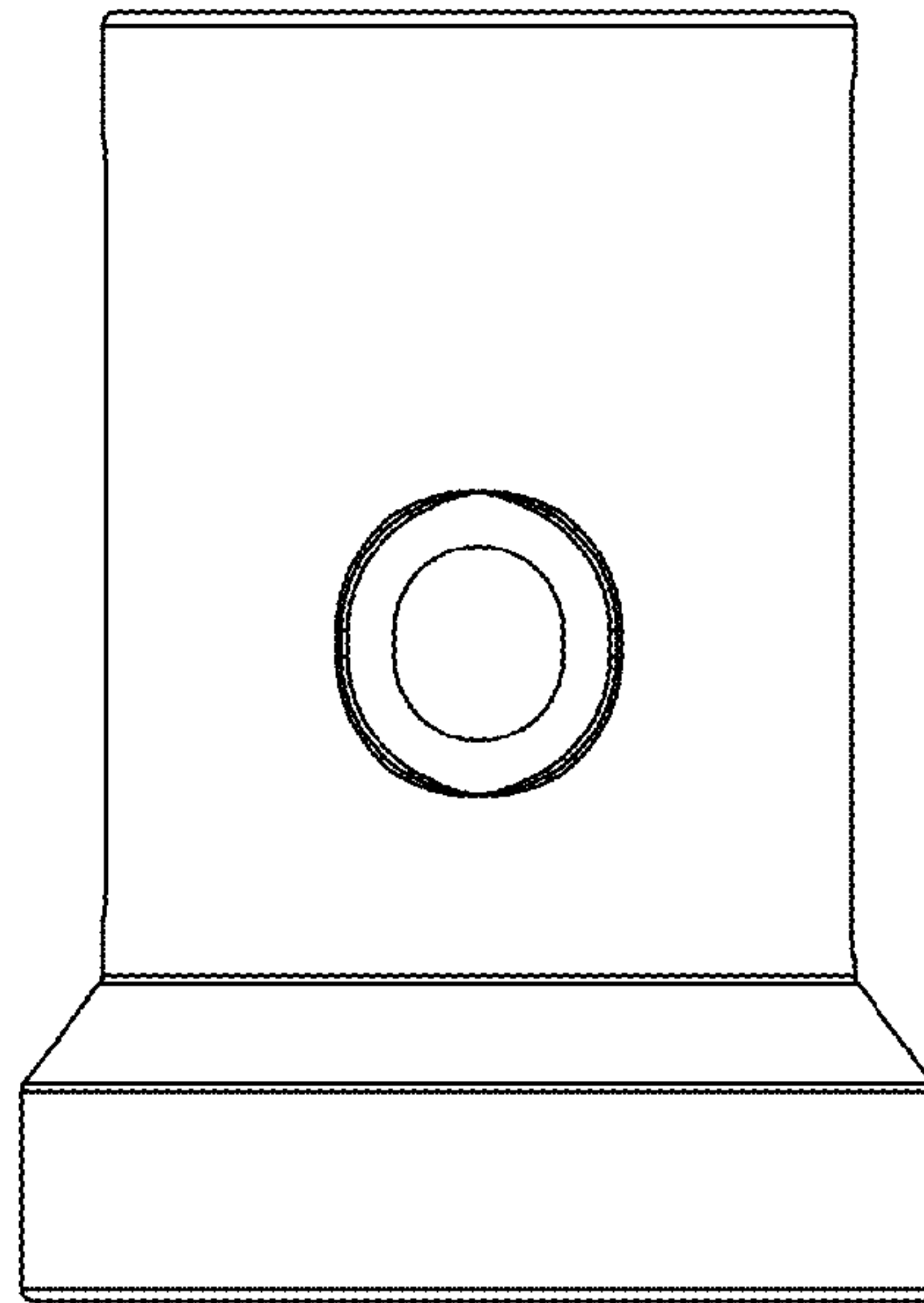


FIG. 2

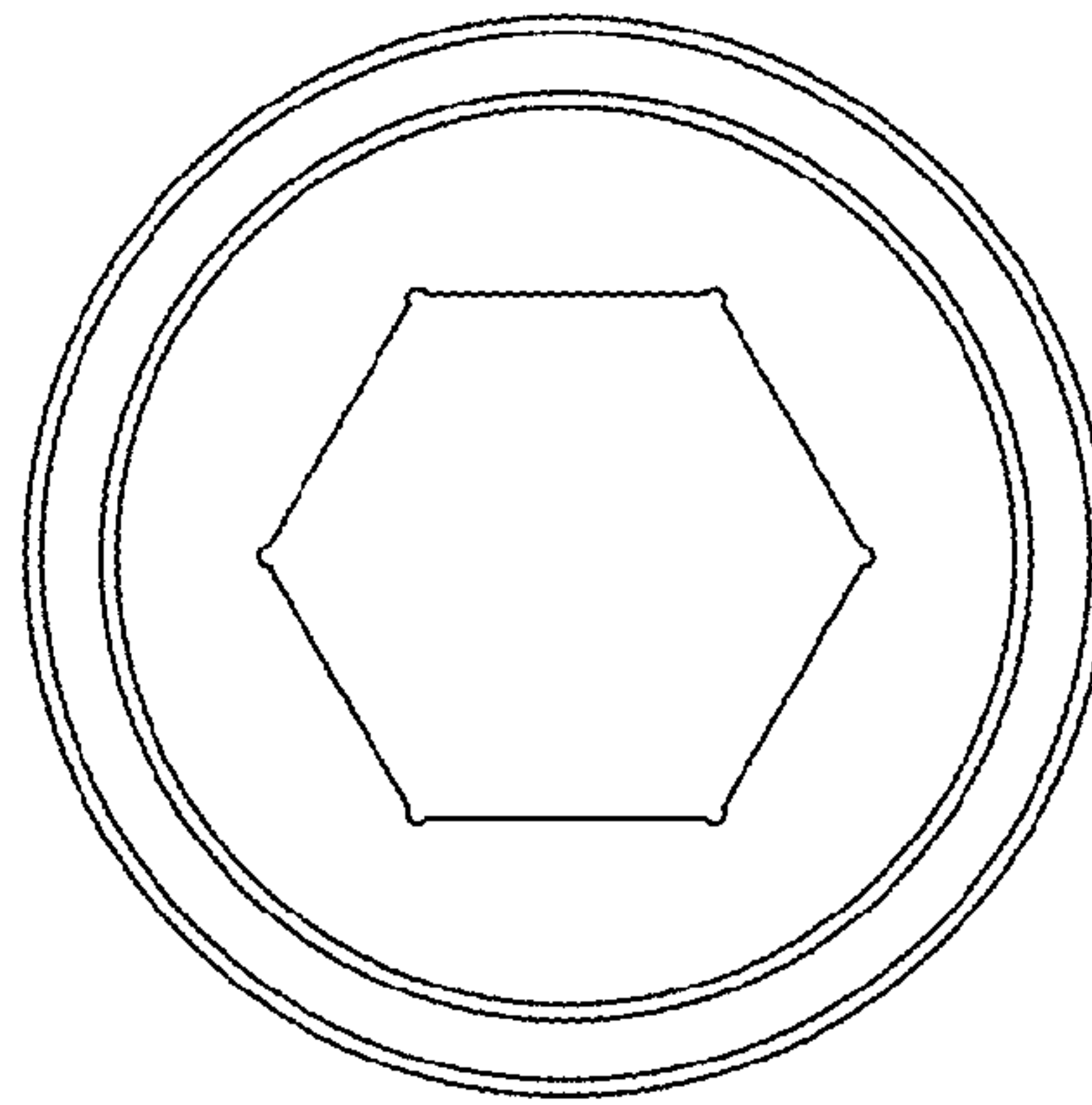


FIG. 1