



US00D743445S

(12) **United States Design Patent**
Cohen

(10) **Patent No.:** **US D743,445 S**

(45) **Date of Patent:** **** Nov. 17, 2015**

(54) **SNOW THROWER BATTERY HOUSING**

(71) Applicant: **Joseph Cohen**, New York, NY (US)

(72) Inventor: **Joseph Cohen**, New York, NY (US)

(73) Assignee: **SNOW JOE, LLC**, Edison, NJ (US)

(**) Term: **14 Years**

(21) Appl. No.: **29/459,769**

(22) Filed: **Jul. 3, 2013**

(51) **LOC (10) Cl.** **15-02**

(52) **U.S. Cl.**
USPC **D15/12**

(58) **Field of Classification Search**
USPC D15/11, 12; 172/699; 56/11.3; 37/242,
37/246; 74/61
CPC E01H 5/098; E01H 5/045; E01H 5/061
See application file for complete search history.

(56) **References Cited**

U.S. PATENT DOCUMENTS

D270,057	S *	8/1983	Nakamura	D15/12
D307,912	S *	5/1990	Yoshida et al.	D15/12
D314,775	S *	2/1991	Yoshida et al.	D15/11
6,035,561	A	3/2000	Paytas et al.		
6,170,179	B1	1/2001	Paytas et al.		
6,952,893	B1 *	10/2005	Sanderson	37/261
D603,428	S *	11/2009	Tashiro et al.	D15/12

D615,997	S *	5/2010	Loew et al.	D15/20
D642,596	S *	8/2011	Hinklin et al.	D15/12
D700,329	S *	2/2014	Lim	D24/152
D705,272	S *	5/2014	Cmich et al.	D15/11
2011/0094129	A1	4/2011	Rowe et al.		
2015/0007462	A1 *	1/2015	Cohen	37/242

* cited by examiner

Primary Examiner — Cynthia Ramirez

(74) *Attorney, Agent, or Firm* — Seyfarth Shaw LLP; Ilan N. Barzilay; Joseph M. Walker

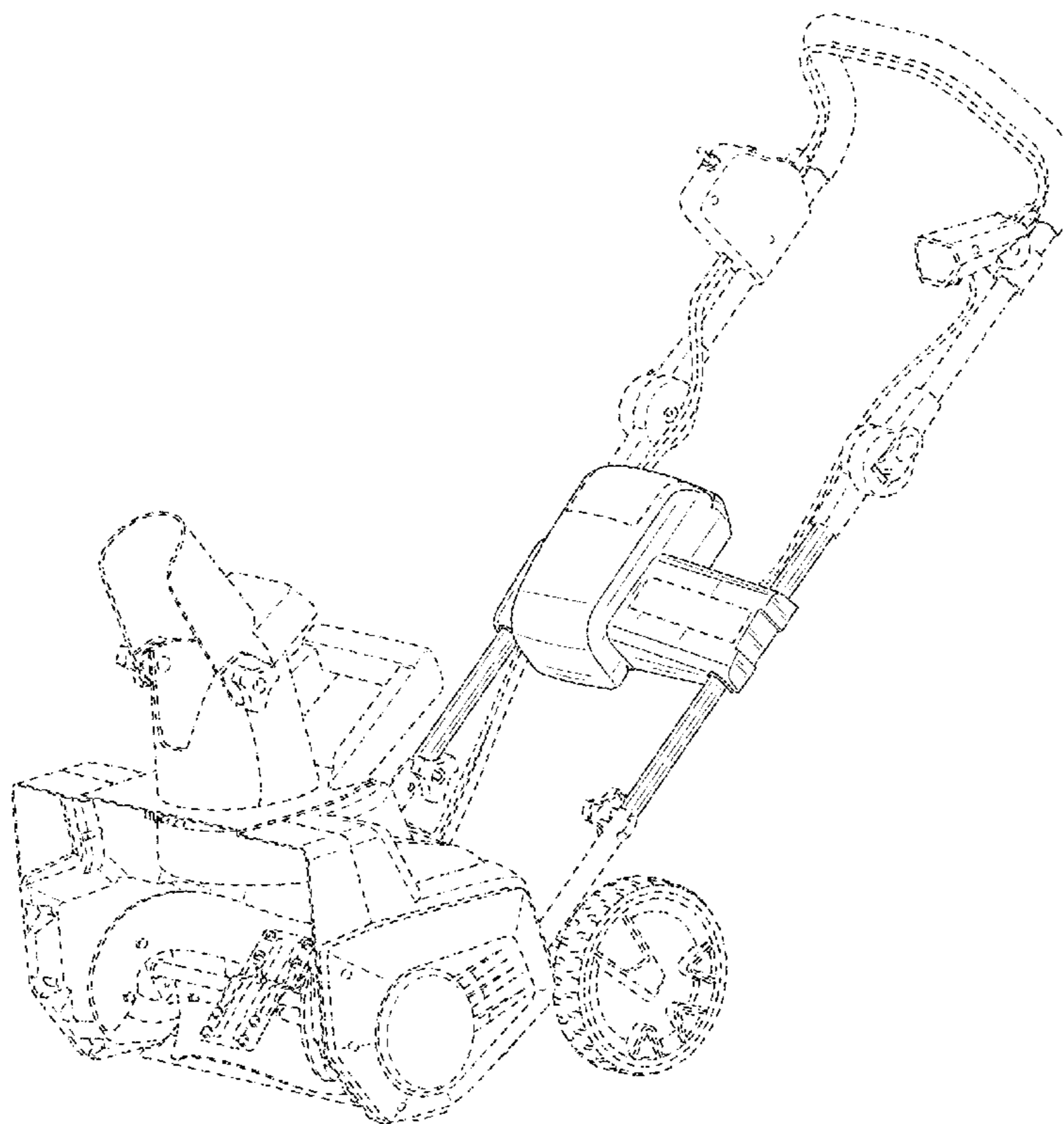
(57) **CLAIM**

The ornamental design for a snow thrower battery housing, as shown and described.

DESCRIPTION

FIG. 1 is a front perspective view of a snow thrower battery housing showing my new design; FIG. 2 is a front elevation view thereof; FIG. 3 is a rear elevation view thereof; FIG. 4 is a side elevation view thereof; FIG. 5 is the other side elevation view thereof; FIG. 6 is a top plan view thereof; and, FIG. 7 is a bottom plan view thereof. The broken lines shown in the figures are included for the purpose of illustrating environment and form no part of the claimed design.

1 Claim, 7 Drawing Sheets



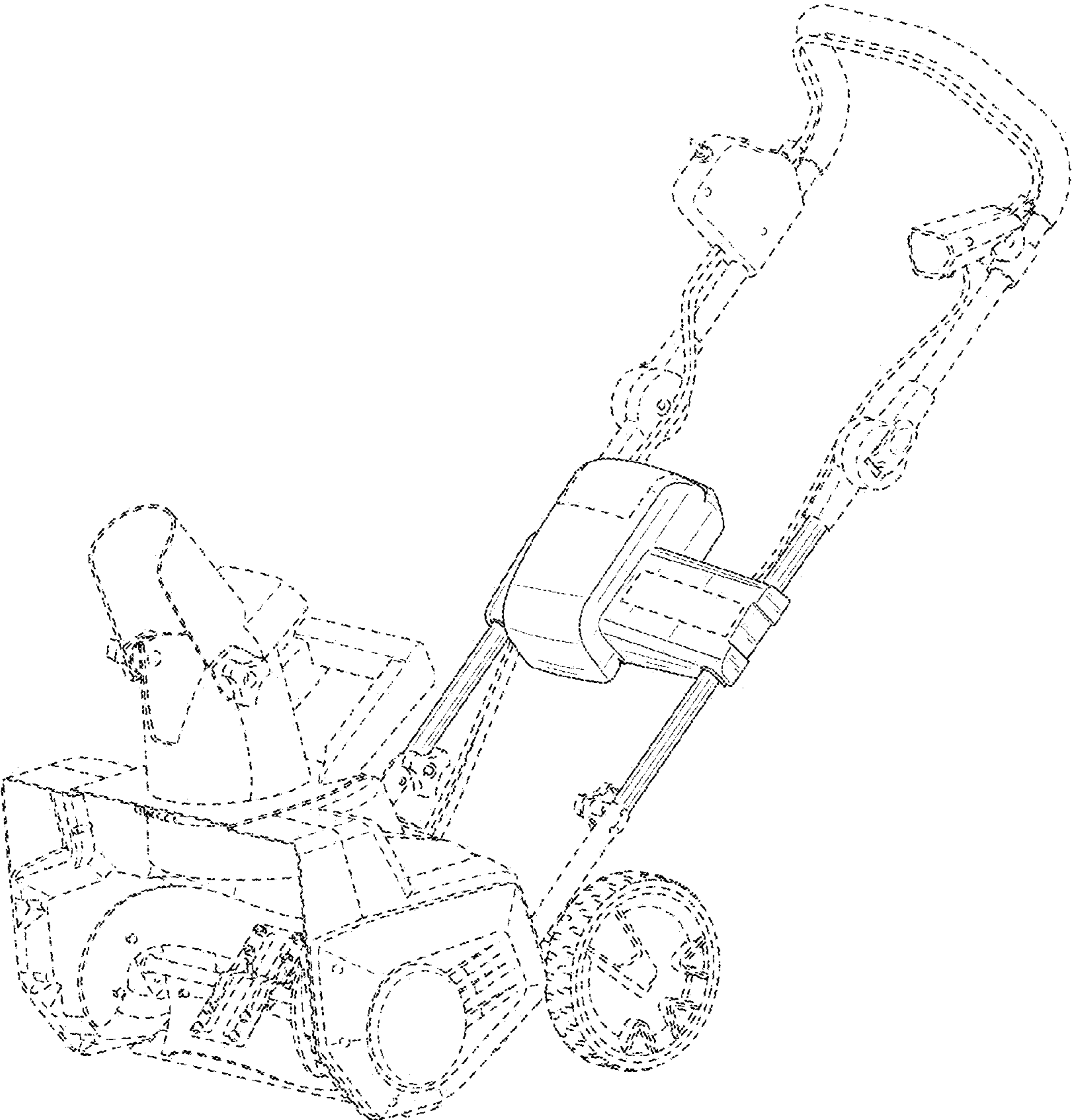


FIG. 1

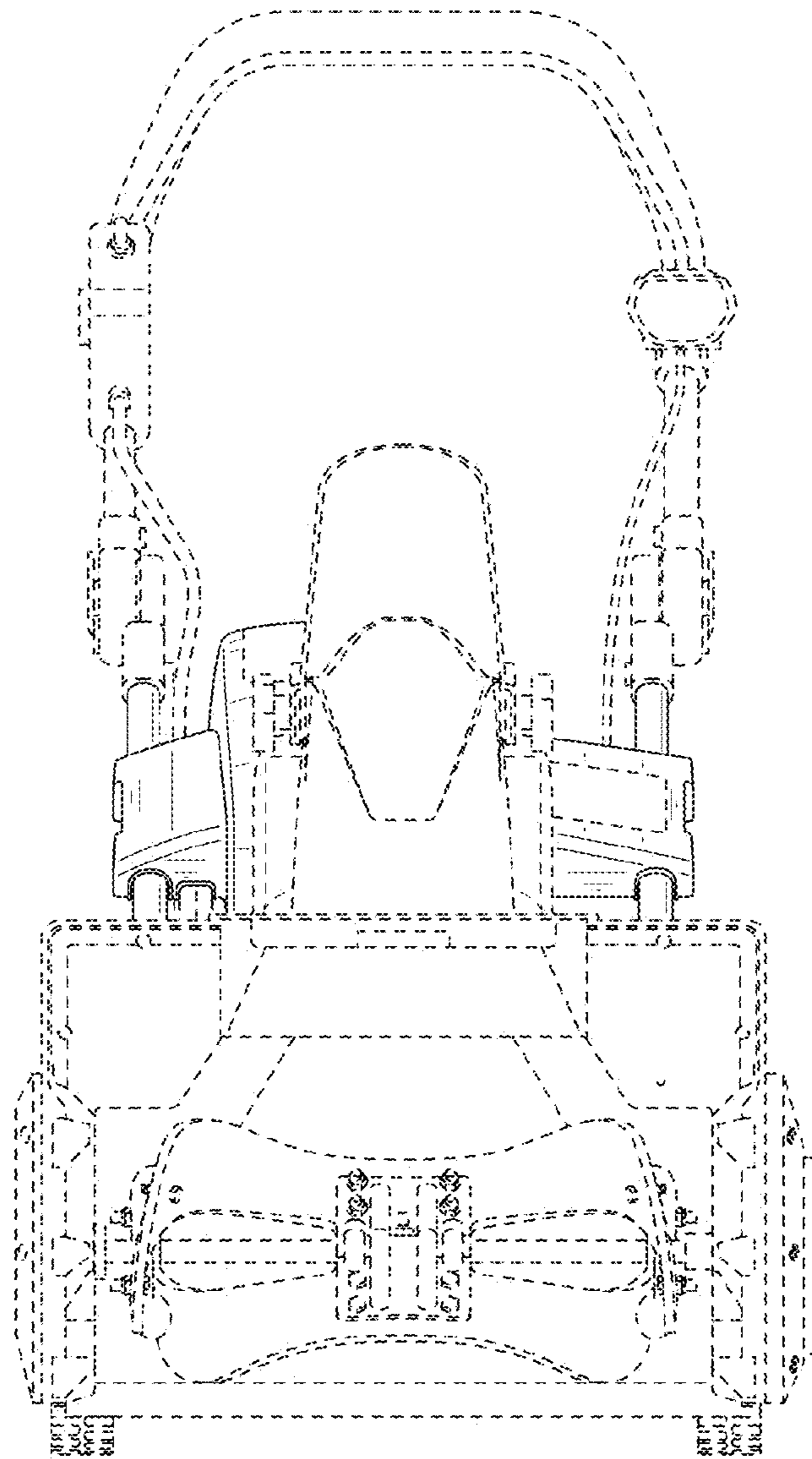


FIG. 2

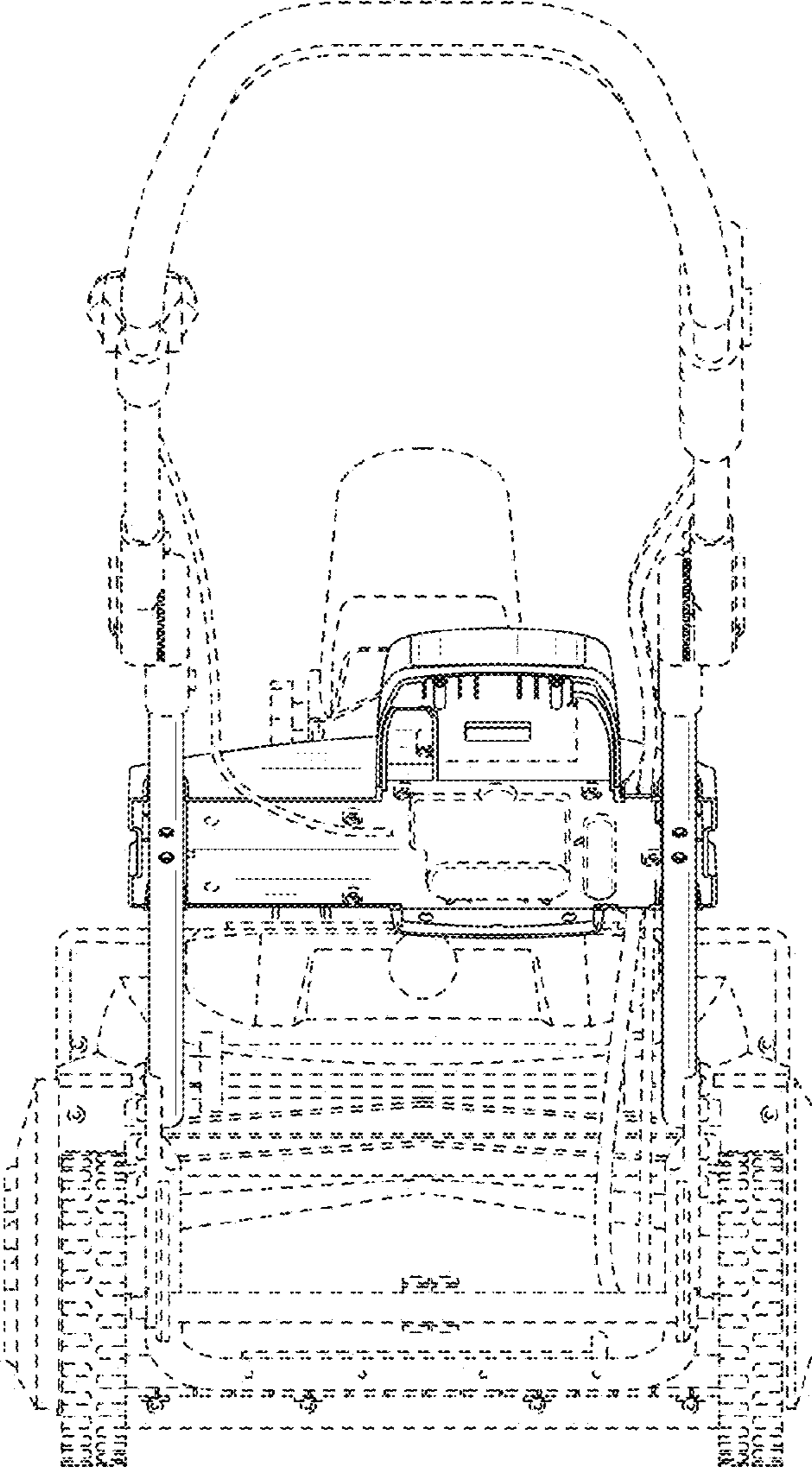


FIG. 3

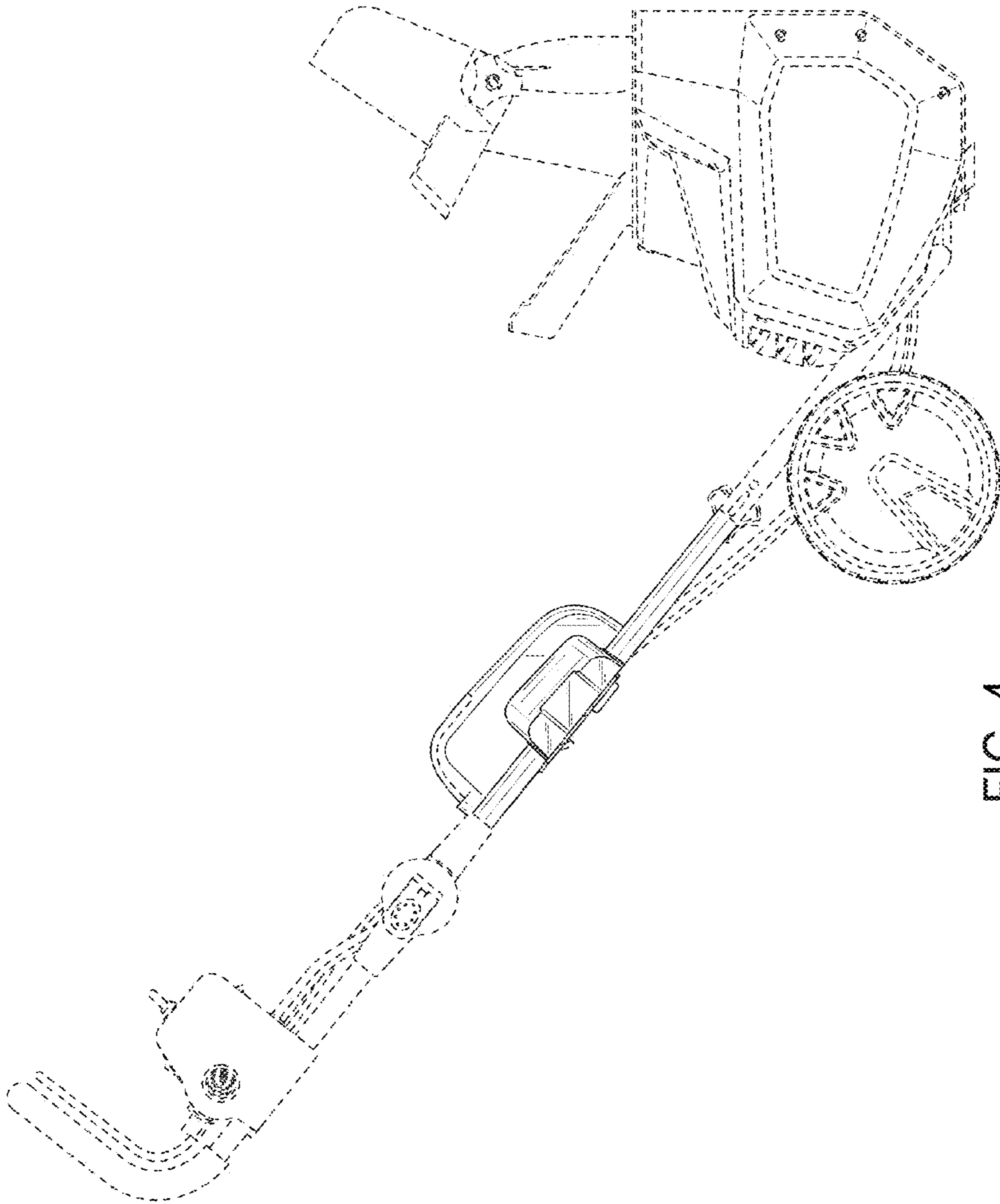


FIG. 4

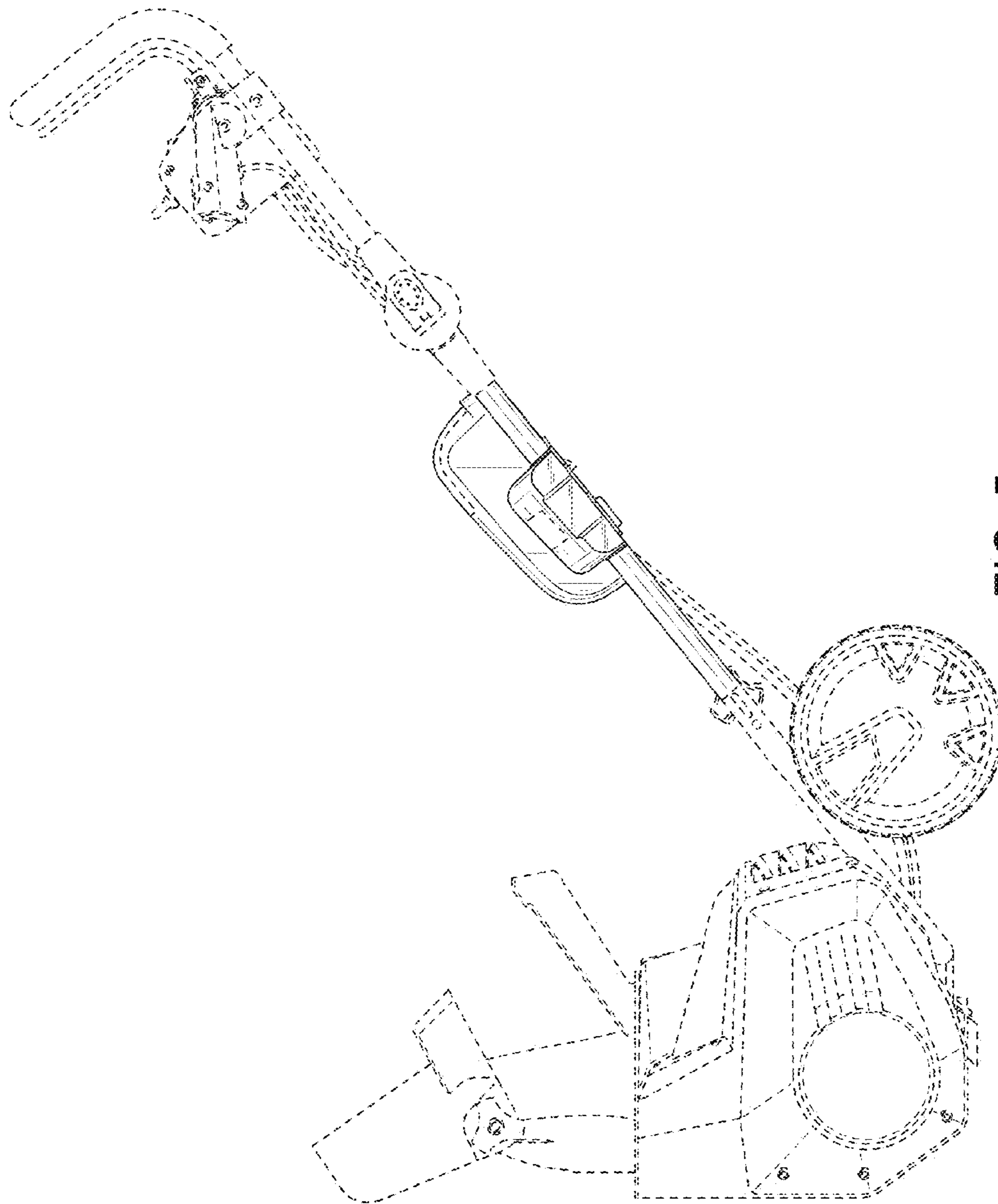


FIG. 5

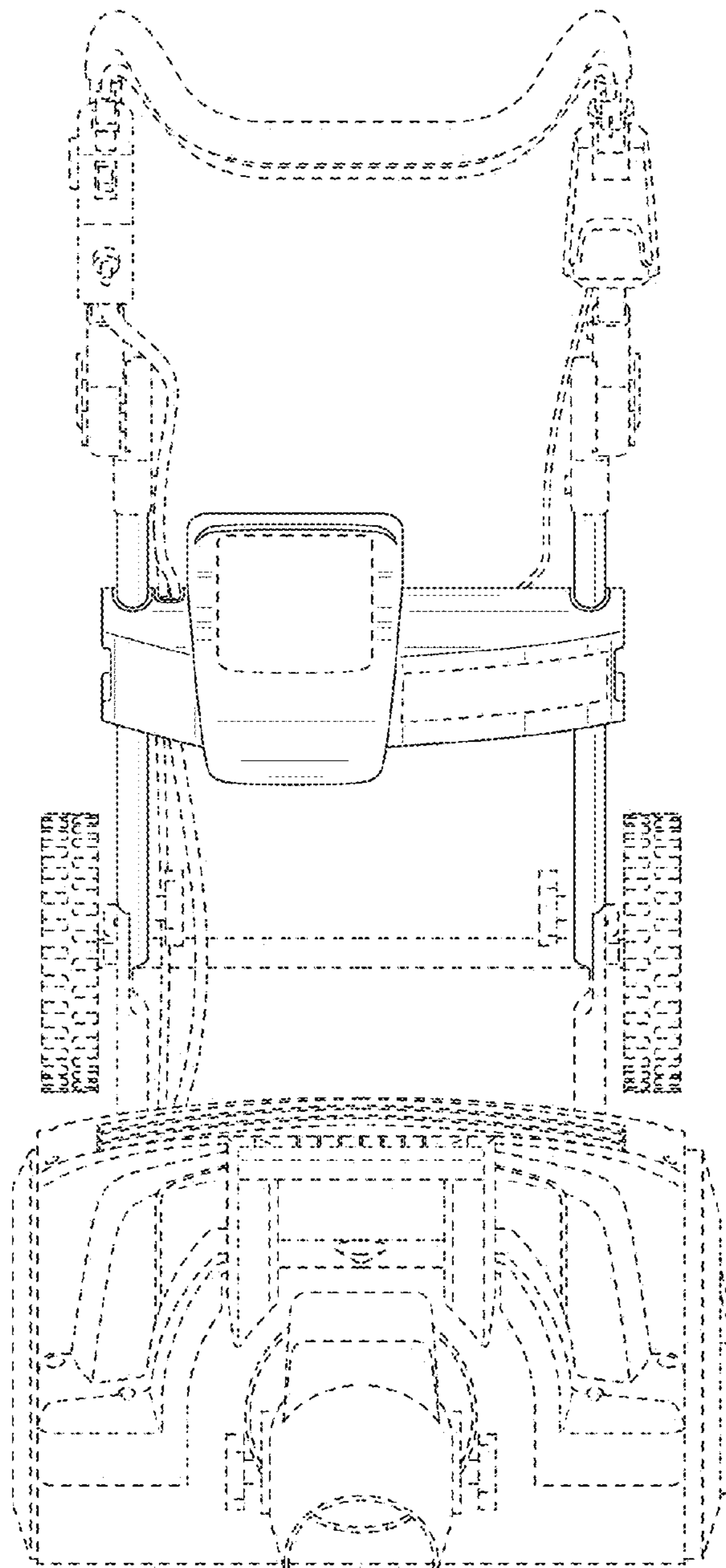


FIG. 6

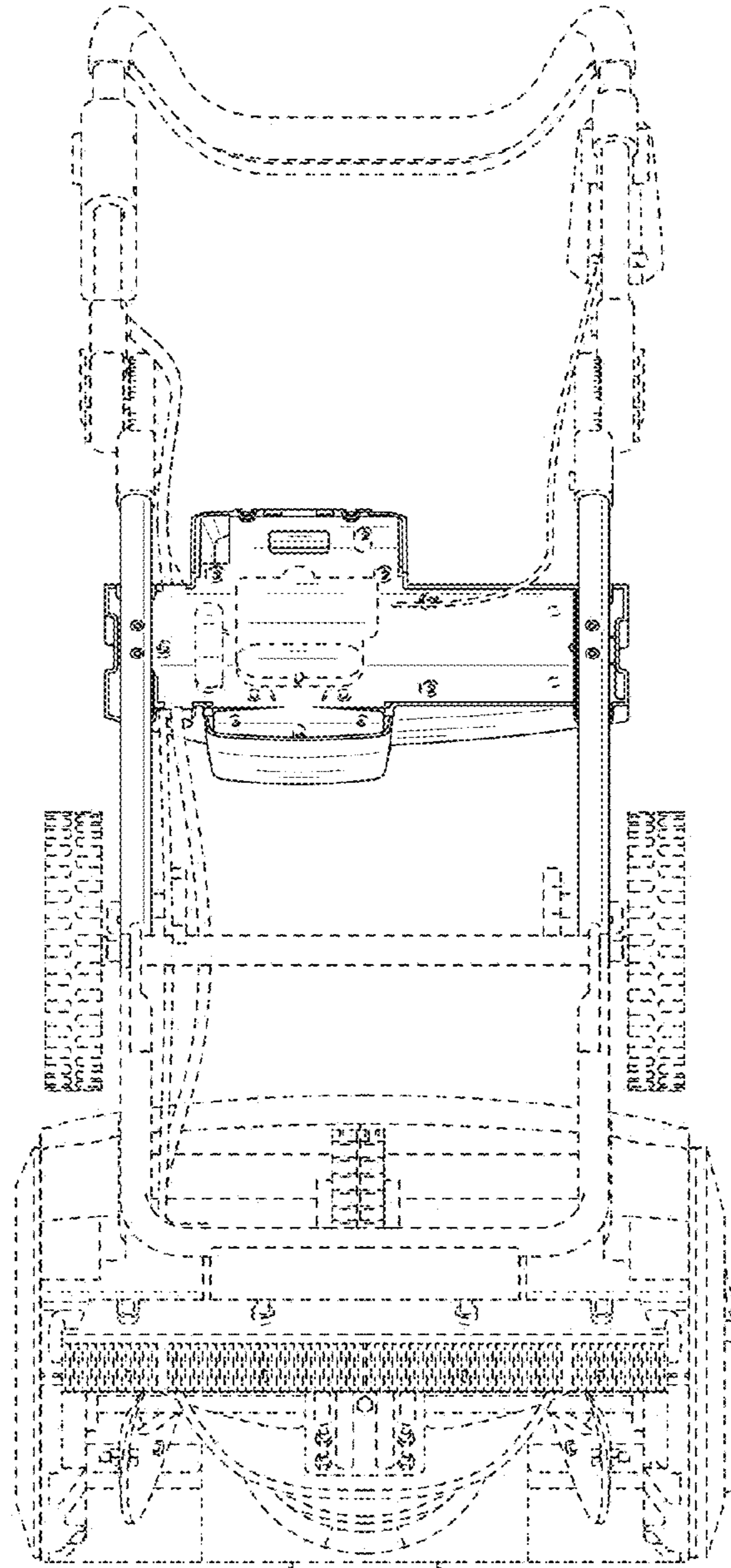


FIG. 7