



US00D743444S

(12) **United States Design Patent**
Walsh et al.

(10) **Patent No.:** **US D743,444 S**
(45) **Date of Patent:** **** Nov. 17, 2015**

(54) **AIRLESS PAINT SPRAY PUMP**

(56) **References Cited**

(71) Applicant: **TriTech Industries, Inc.**, Union, NJ
(US)

U.S. PATENT DOCUMENTS

(72) Inventors: **Christopher Walsh**, Florham park, NJ
(US); **Danuta Carey**, Stockholm, NJ
(US)

D377,799	S	*	2/1997	Kruzel et al.	D15/7
D384,676	S	*	10/1997	Cyphers et al.	D15/7
D403,329	S	*	12/1998	Walker et al.	D15/7
D479,533	S	*	9/2003	Song et al.	D15/7
D639,311	S	*	6/2011	Peterson et al.	D15/7
D700,916	S	*	3/2014	Kieffer et al.	D15/7
D727,363	S	*	4/2015	Carpenter	D15/7

(73) Assignee: **TriTech Industries, Inc.**, Union, NJ
(US)

* cited by examiner

(**) Term: **14 Years**

Primary Examiner — Ralf Seifert

(21) Appl. No.: **29/511,368**

(74) *Attorney, Agent, or Firm* — Bucknam & Archer

(22) Filed: **Dec. 10, 2014**

(57) **CLAIM**

(51) **LOC (10) Cl.** **15-02**

The ornamental design for an airless paint spray pump, as shown and described.

(52) **U.S. Cl.**
USPC **D15/7**

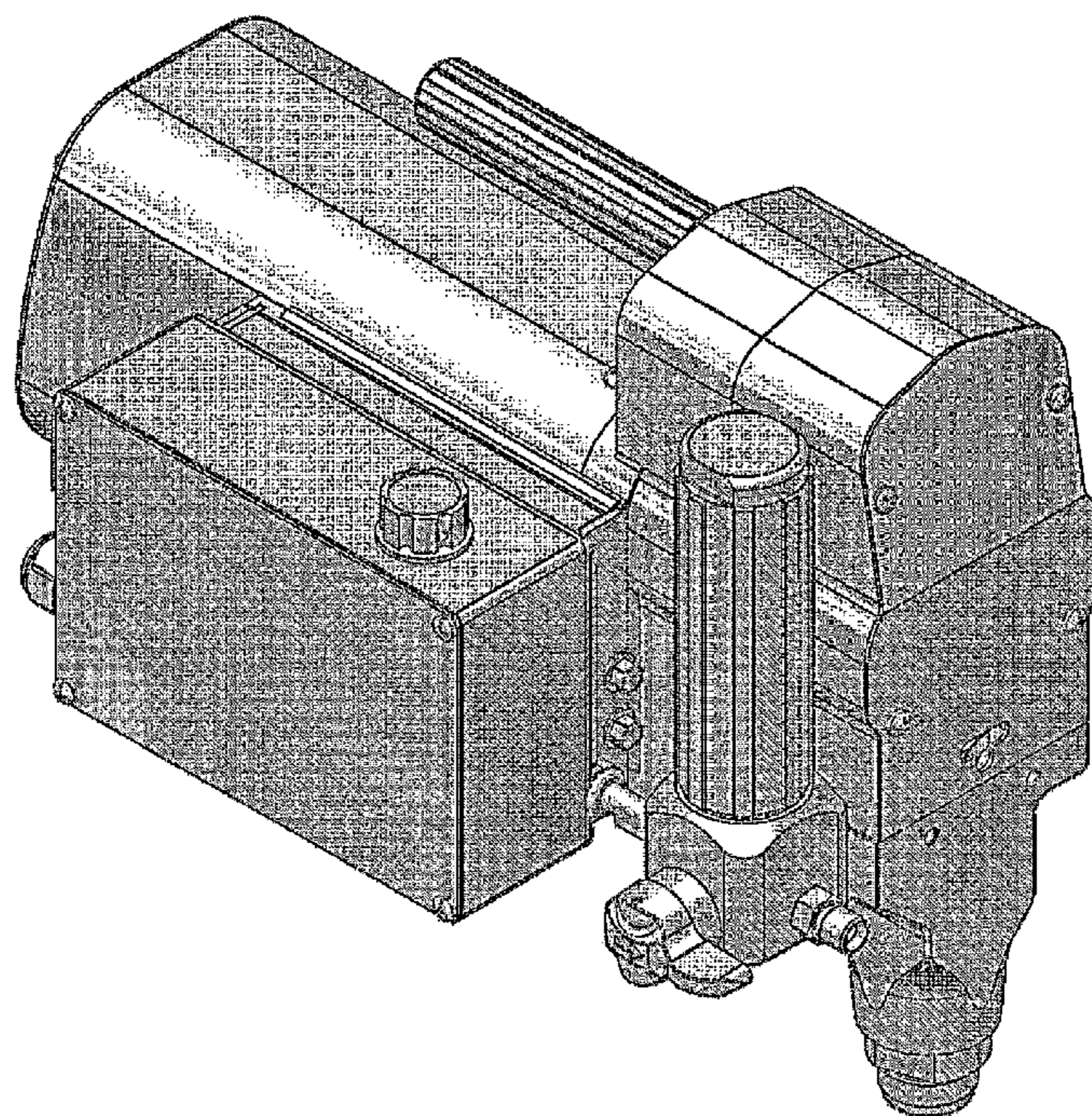
DESCRIPTION

(58) **Field of Classification Search**
USPC D15/7-9; D23/231, 232, 225; 417/60,
417/235, 265, 321, 355, 358, 363, 359,
417/410.1, 415-416, 405, 900, 430, 43,
417/554; 60/408, 412; 184/26-37;
415/140-147; 123/495, 509;
166/105.1, 105.2, 311
CPC F04B 39/00; F04B 39/10; F04B 53/00;
E21B 37/02

FIG. 1 is a right side elevational view of an airless paint spray pump, showing our new design;
FIG. 2 is a left side elevational view thereof;
FIG. 3 is a front elevational view thereof;
FIG. 4 is a rear elevational view thereof;
FIG. 5 is a top view thereof;
FIG. 6 is a bottom view thereof;
FIG. 7 is a three quarter perspective view thereof, showing the front, top and right side;
FIG. 8 is a three quarter perspective view thereof, showing the rear, top and left side;
FIG. 9 is a three quarter perspective view thereof, showing the rear, bottom and left side; and,
FIG. 10 is a three quarter perspective view thereof, showing the front, bottom and left side.

See application file for complete search history.

1 Claim, 10 Drawing Sheets



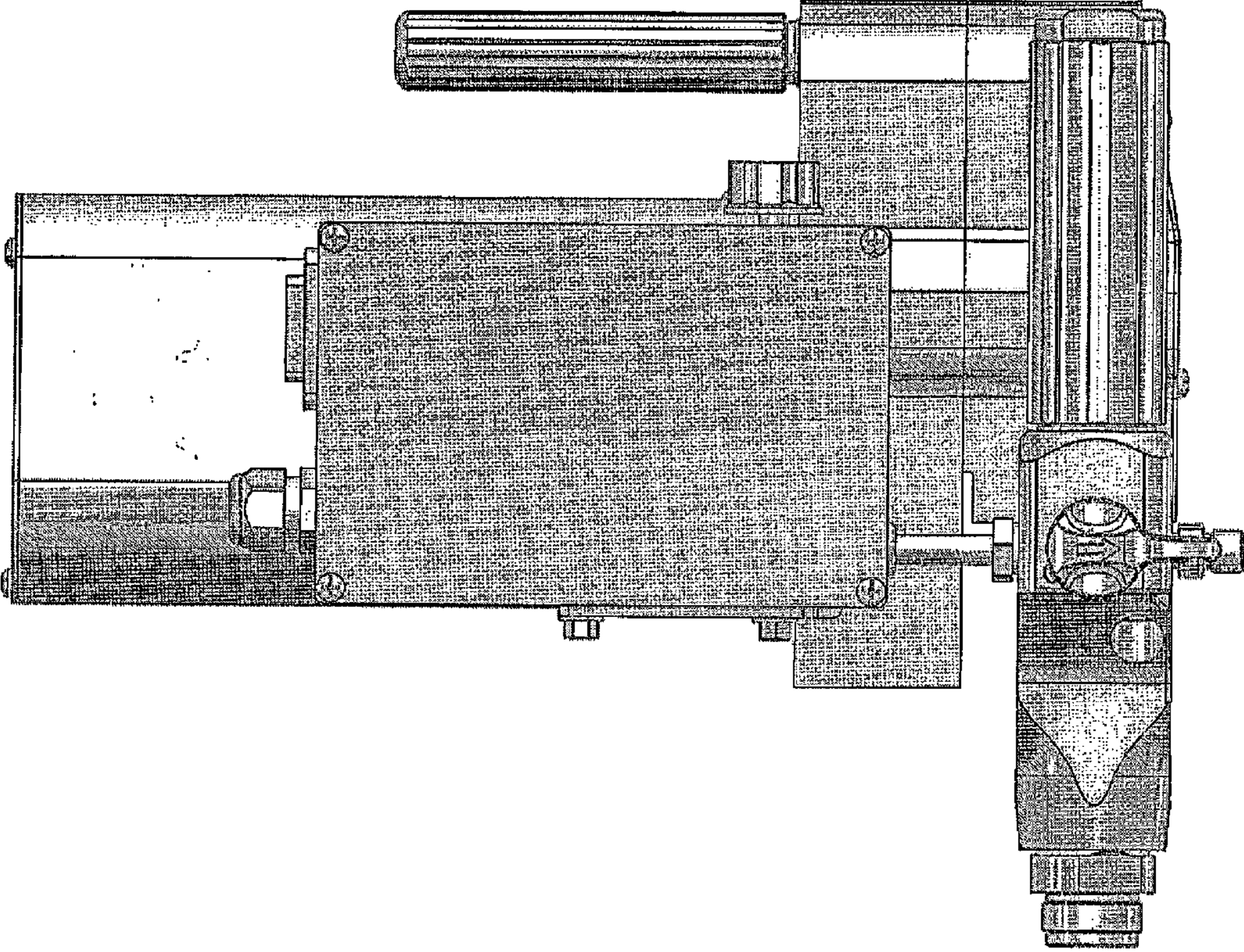


FIG. 1

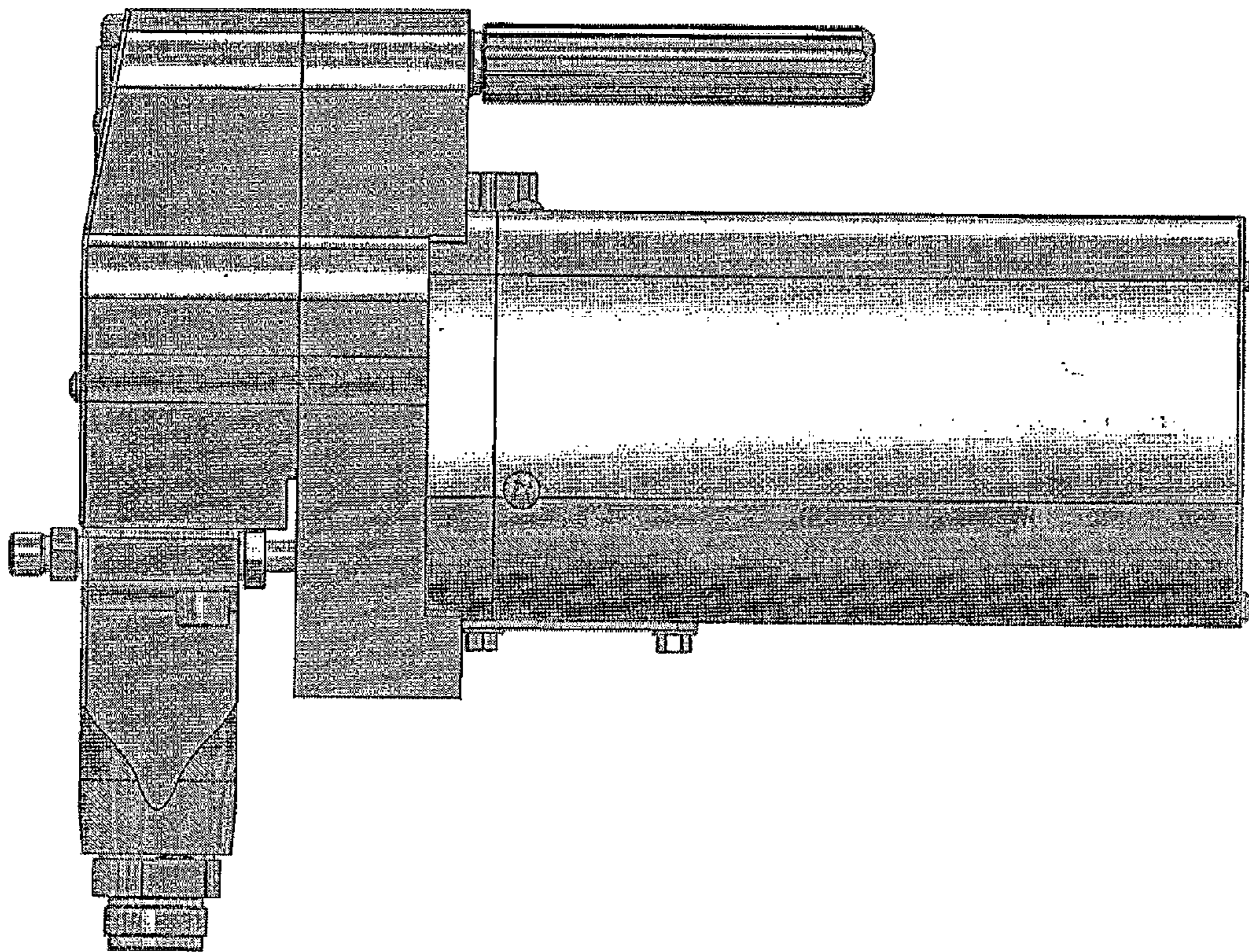


FIG. 2

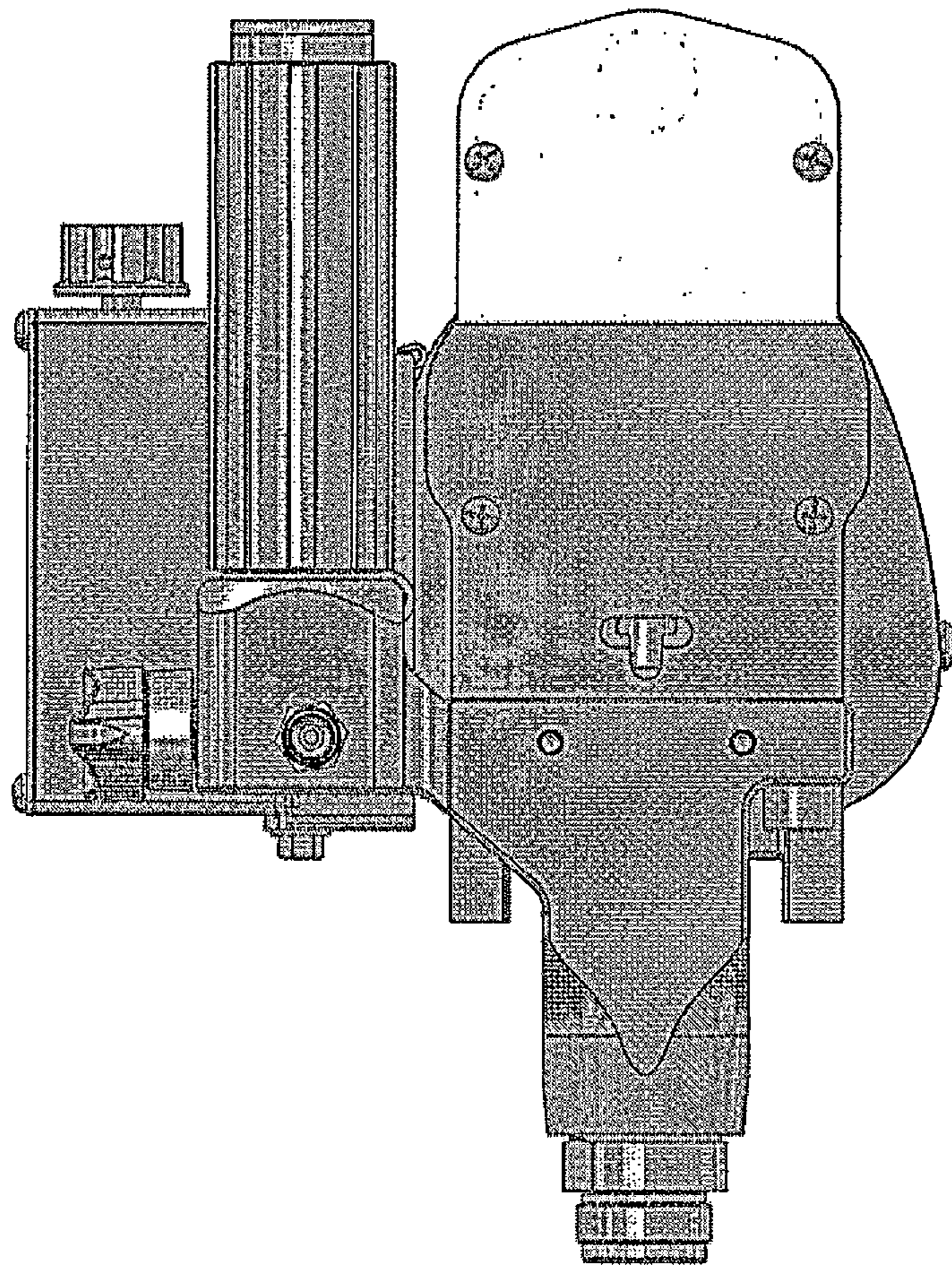


FIG. 3

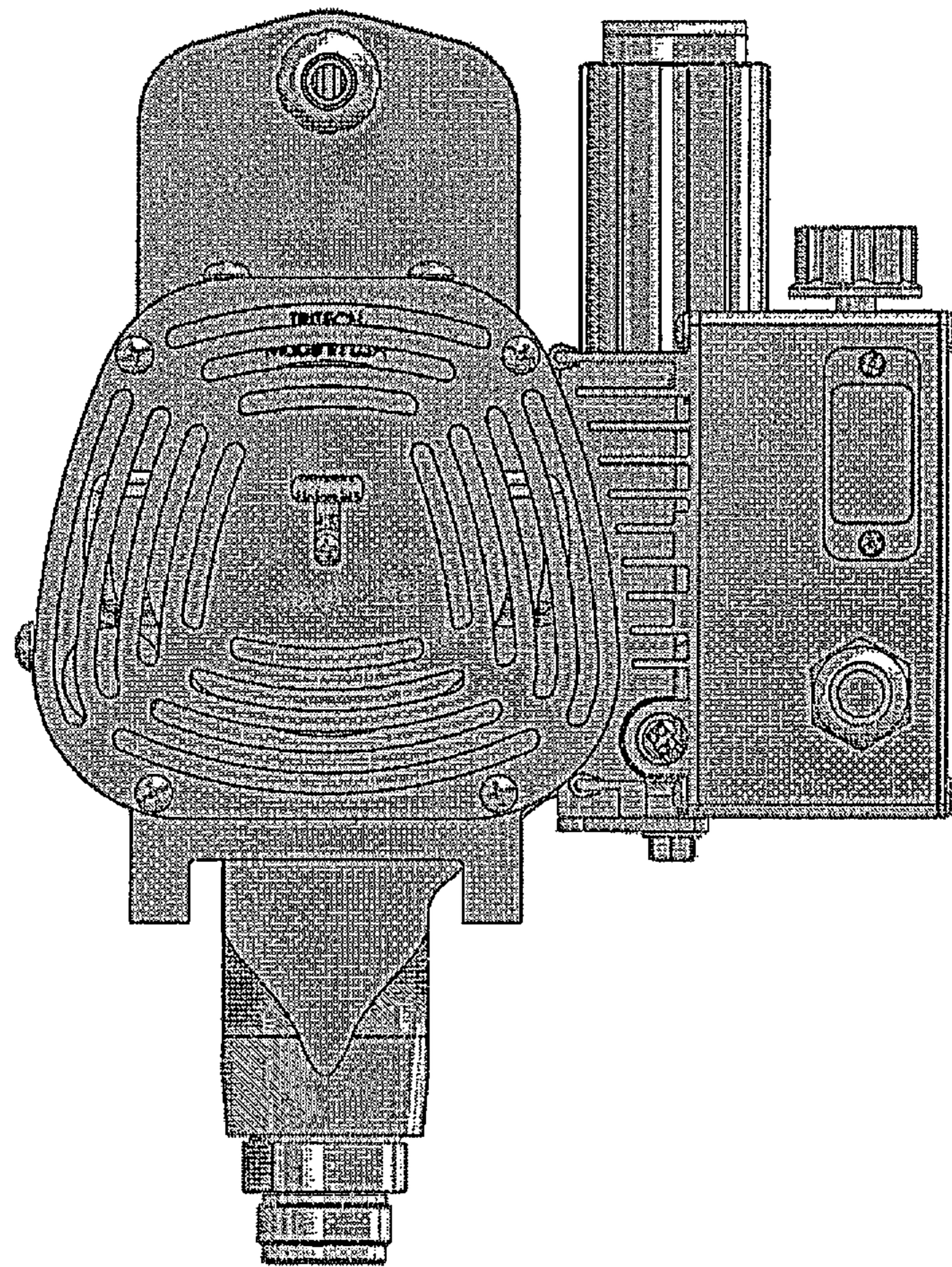


FIG. 4

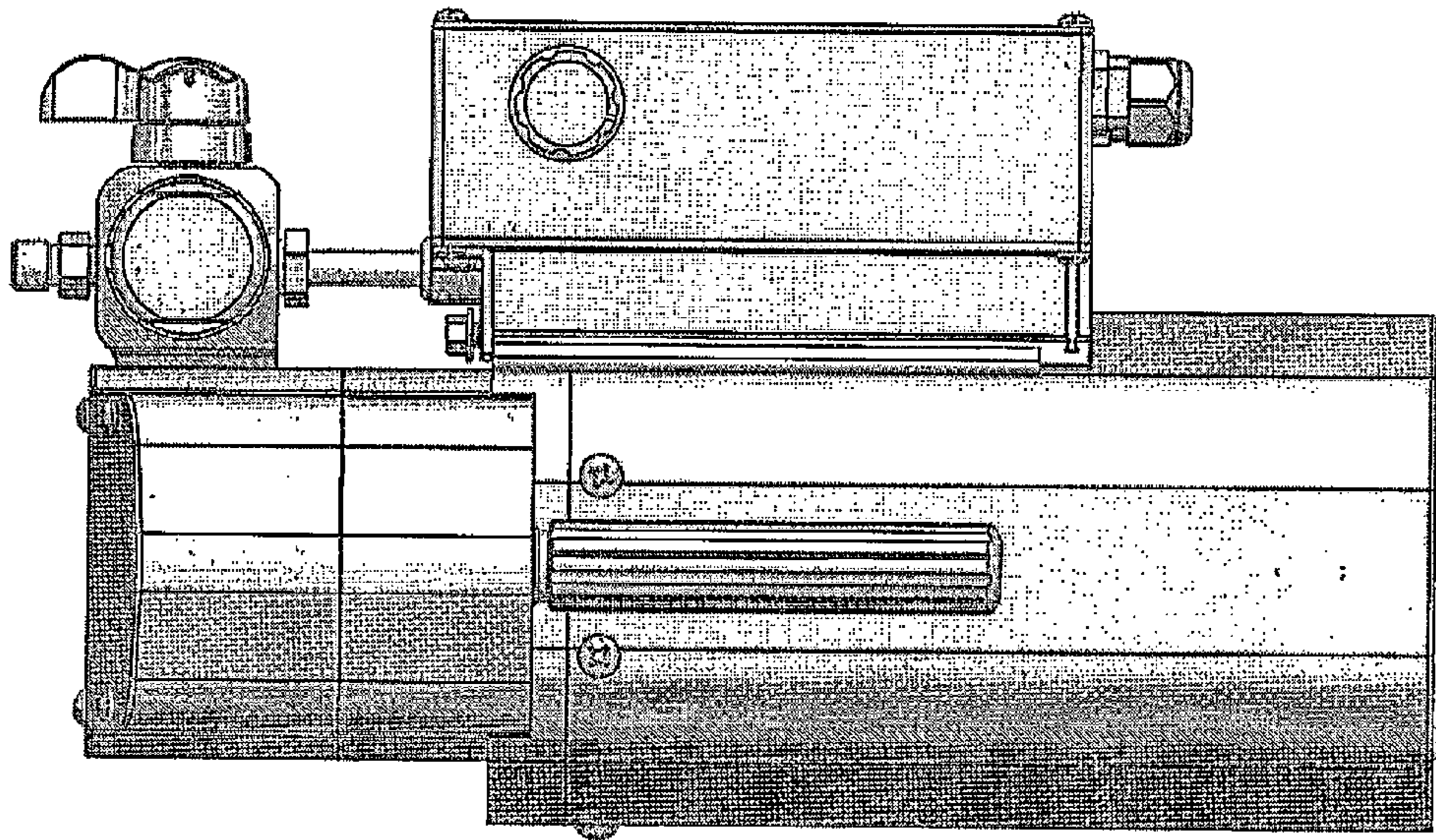


FIG. 5

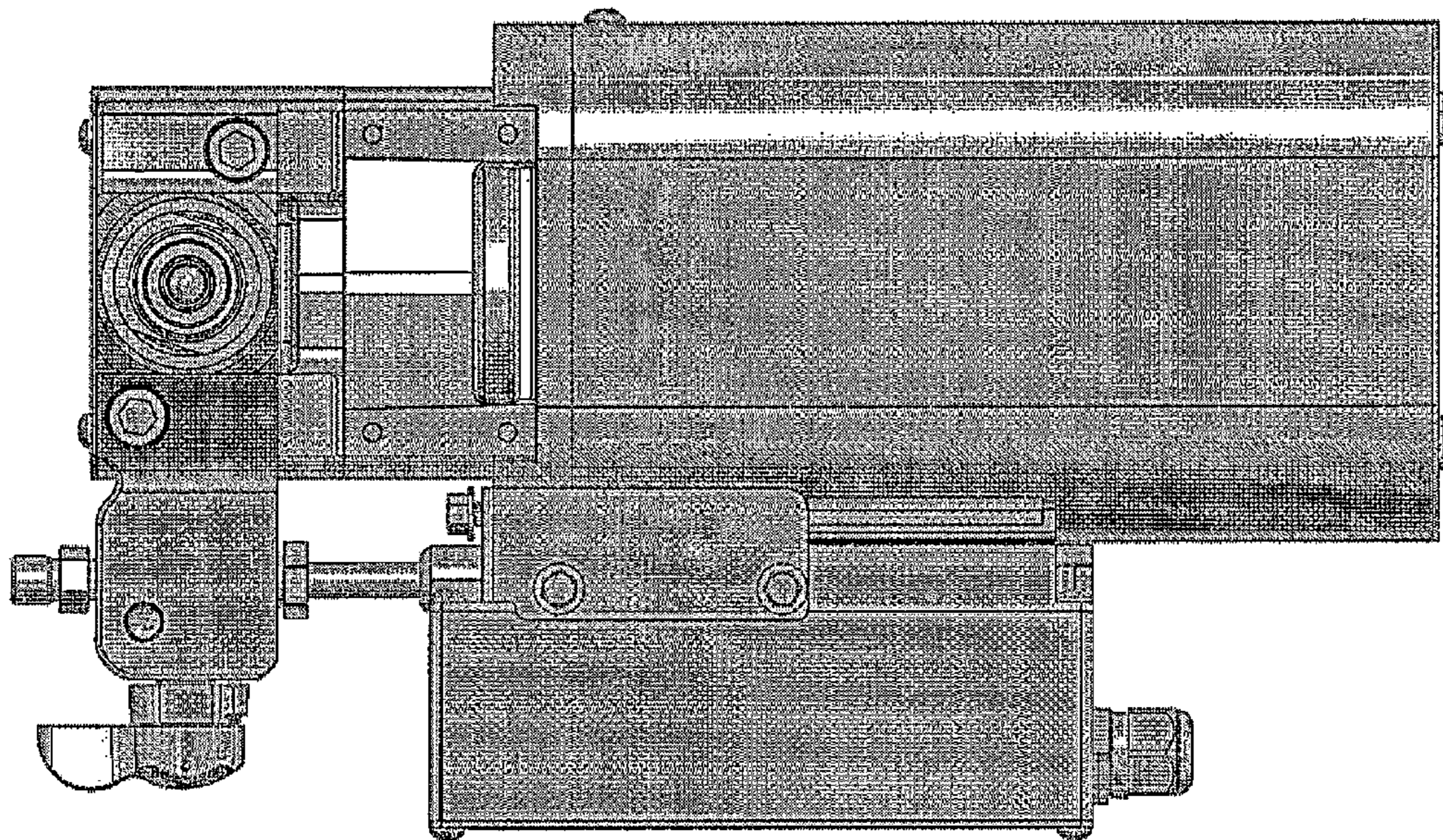


FIG. 6

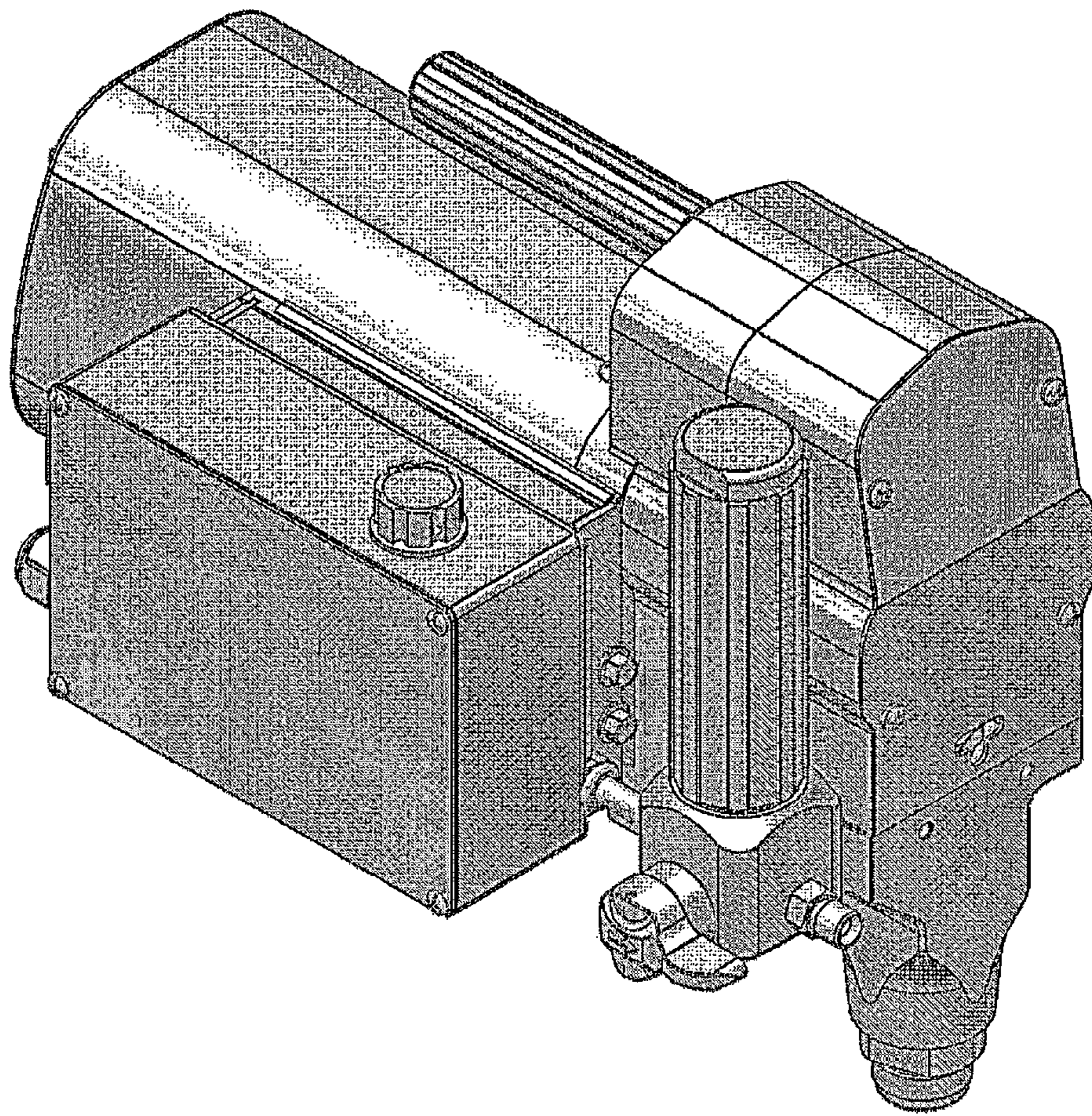


FIG. 7

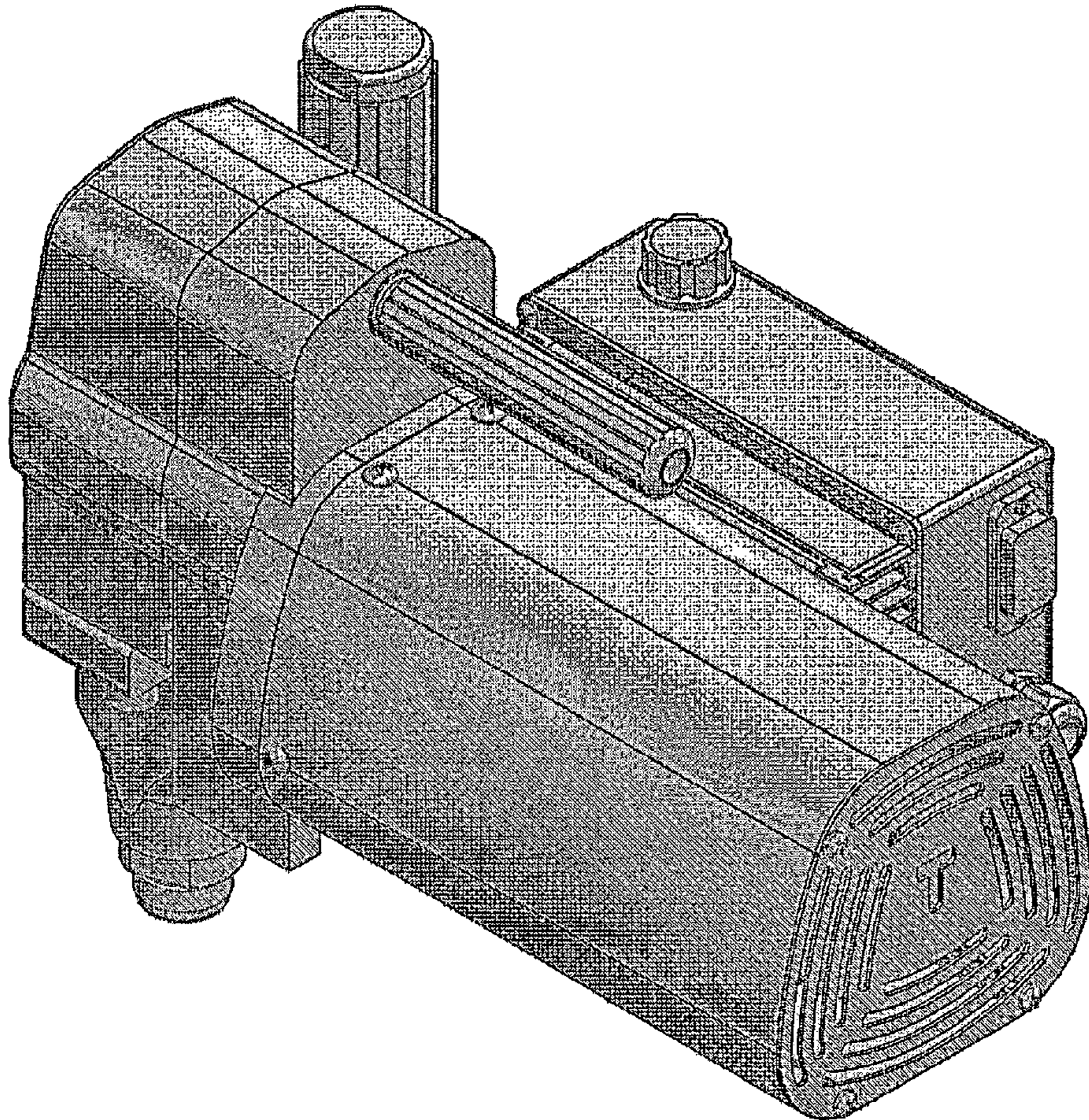


FIG. 8

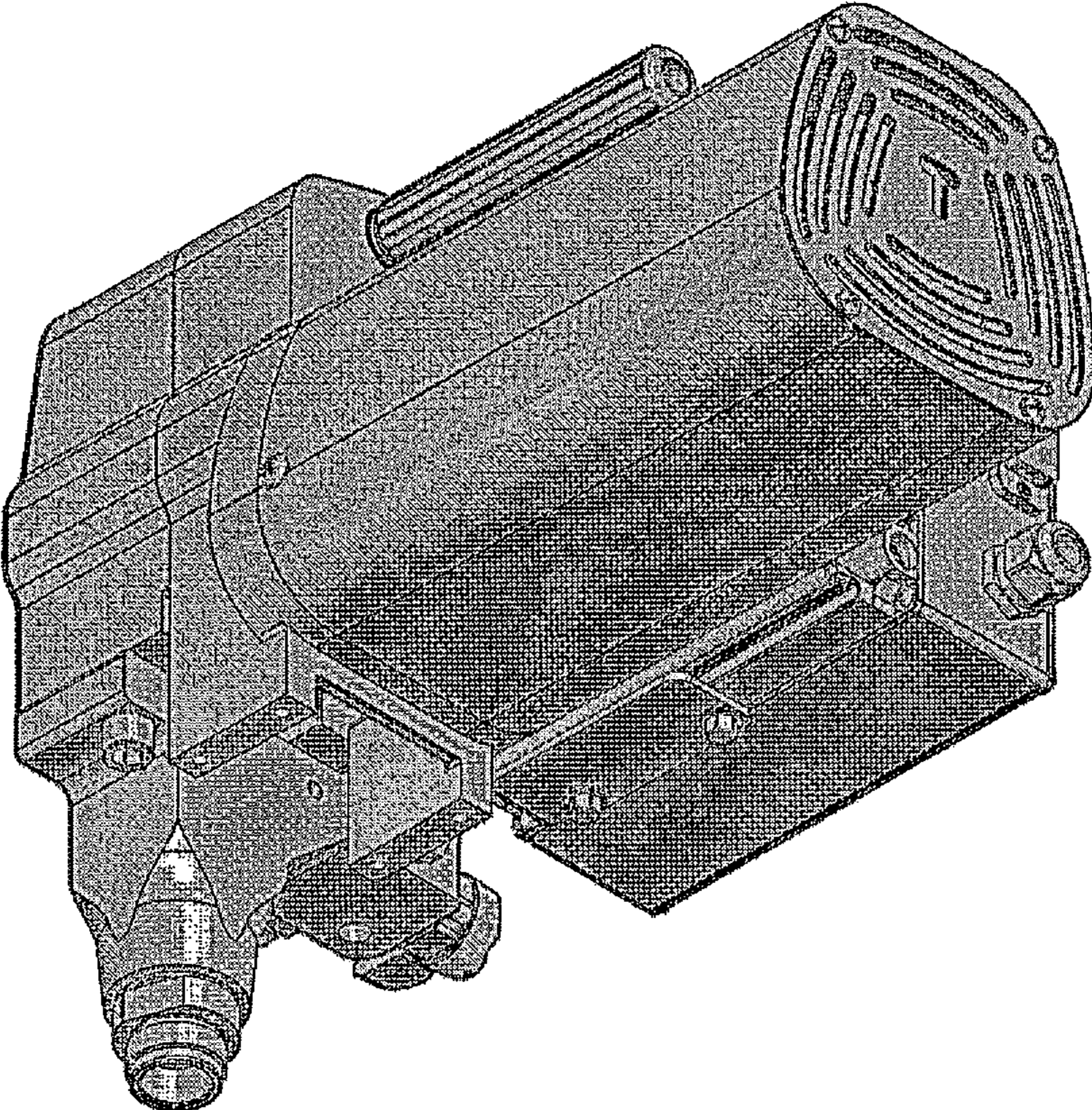


FIG. 9

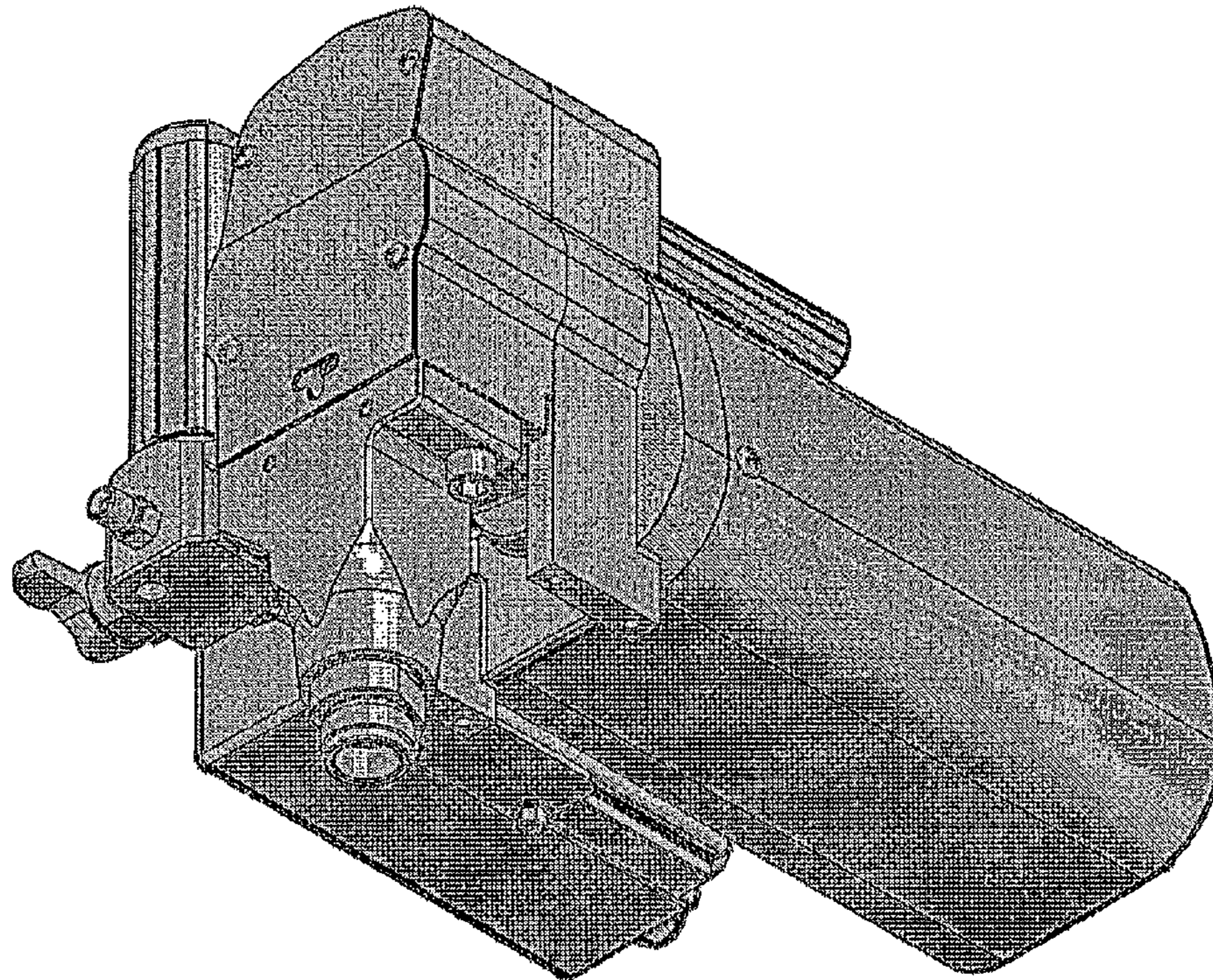


FIG. 10