



US00D743411S

(12) **United States Design Patent**
Zenri et al.

(10) **Patent No.:** **US D743,411 S**
(45) **Date of Patent:** **** Nov. 17, 2015**

- (54) **COMPUTER STAND**
- (71) Applicant: **NINTENDO CO., LTD.**, Kyoto (JP)
- (72) Inventors: **Yuko Zenri**, Kyoto (JP); **Kumpei Fujita**, Kyoto (JP); **Shinji Hirose**, Kyoto (JP)
- (73) Assignee: **Nintendo Co., Ltd.**, Kyoto (JP)
- (**) Term: **14 Years**
- (21) Appl. No.: **29/509,995**
- (22) Filed: **Nov. 24, 2014**

(30) **Foreign Application Priority Data**

Aug. 22, 2014 (JP) 2014-018378
 Aug. 22, 2014 (JP) 2014-018386

- (51) **LOC (10) Cl.** **08-07**
- (52) **U.S. Cl.**
USPC **D14/447**

- (58) **Field of Classification Search**
USPC D14/447, 432, 434, 439, 440, 451, 452,
D14/457, 239; D12/415; D6/406.3, 406.4,
D6/406.5, 406.6; D8/363, 373, 380
CPC F16M 2200/00; F16M 13/00; A45C
2011/003; A45C 2011/002; A47B 2023/049;
A47B 2097/005; A47B 2097/006; A47B 21/04
See application file for complete search history.

(56) **References Cited**

U.S. PATENT DOCUMENTS

D603,333 S * 11/2009 Fahrendorff et al. D13/107
 D638,831 S * 5/2011 Paradise D14/253
 D640,699 S * 6/2011 McParland D14/434
 D642,979 S * 8/2011 Chun et al. D13/108

D669,460 S * 10/2012 Wikel D14/253
 D669,851 S * 10/2012 Ikegame D13/108
 D670,283 S * 11/2012 Wikel D14/253
 D671,949 S * 12/2012 Jeon et al. D14/447
 D672,355 S * 12/2012 Lee et al. D14/447
 D672,357 S * 12/2012 Allen D14/447
 D692,009 S * 10/2013 Ashida et al. D14/447
 D700,614 S * 3/2014 Hamblet D14/447
 2013/0182377 A1 * 7/2013 Torn et al. 361/679.01

* cited by examiner

Primary Examiner — Angela J Lee

(74) *Attorney, Agent, or Firm* — Nixon & Vanderhye PC

(57) **CLAIM**

The ornamental designs for computer stand, as shown and described.

DESCRIPTION

FIG. 1 is a front perspective view of a first embodiment of a computer stand showing our new design;
 FIG. 2 is a rear perspective view thereof;
 FIG. 3 is a front view thereof;
 FIG. 4 is a top view thereof;
 FIG. 5 is a back view thereof;
 FIG. 6 is a bottom view thereof;
 FIG. 7 is a right view thereof;
 FIG. 8 is a left view thereof;
 FIG. 9 is a front perspective view of a second embodiment of a computer stand showing our new design;
 FIG. 10 is a rear perspective view thereof;
 FIG. 11 is a front view thereof;
 FIG. 12 is a top view thereof;
 FIG. 13 is a back view thereof;
 FIG. 14 is a bottom view thereof;
 FIG. 15 is a right view thereof; and,
 FIG. 16 is a left view thereof.

1 Claim, 14 Drawing Sheets

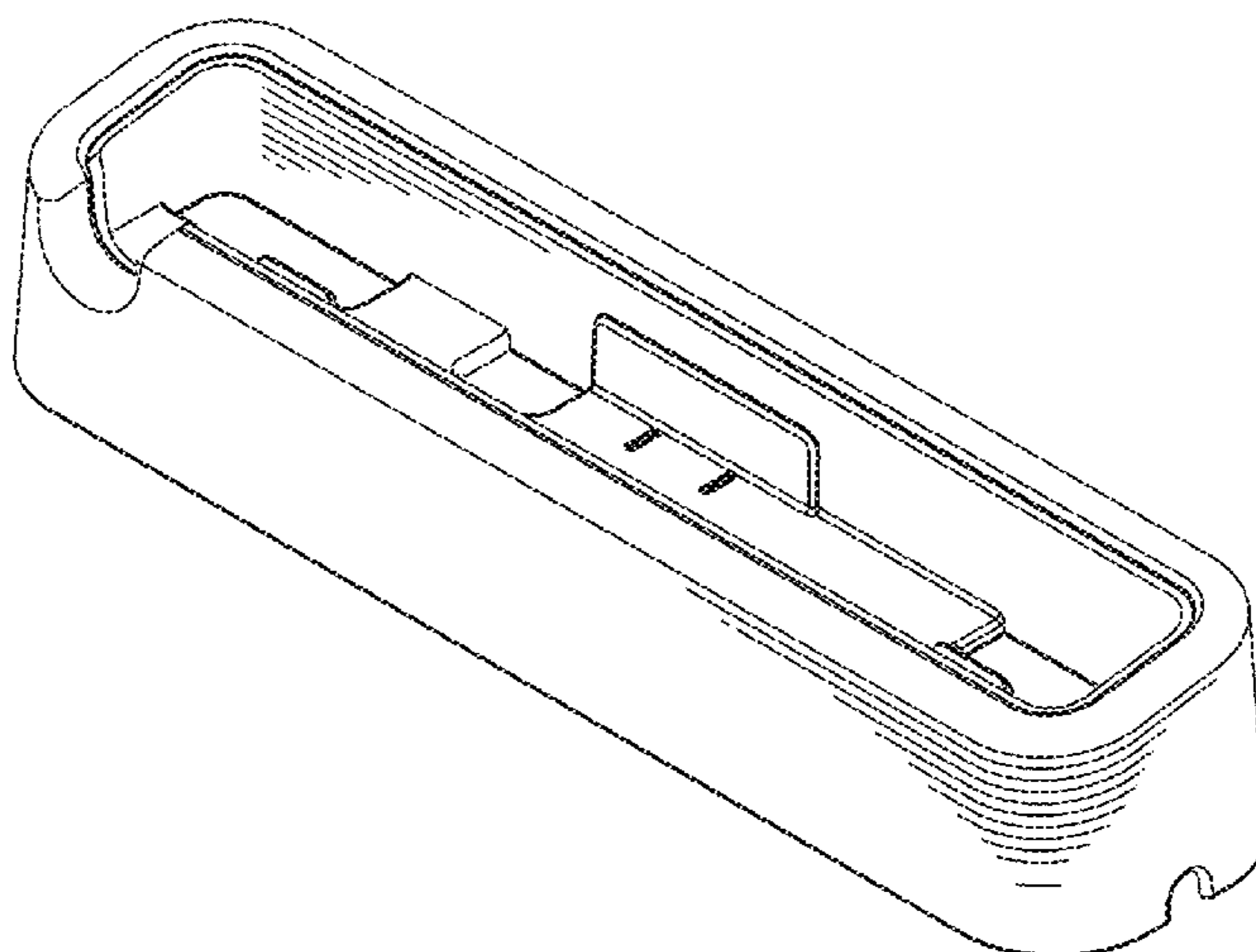


Fig. 1

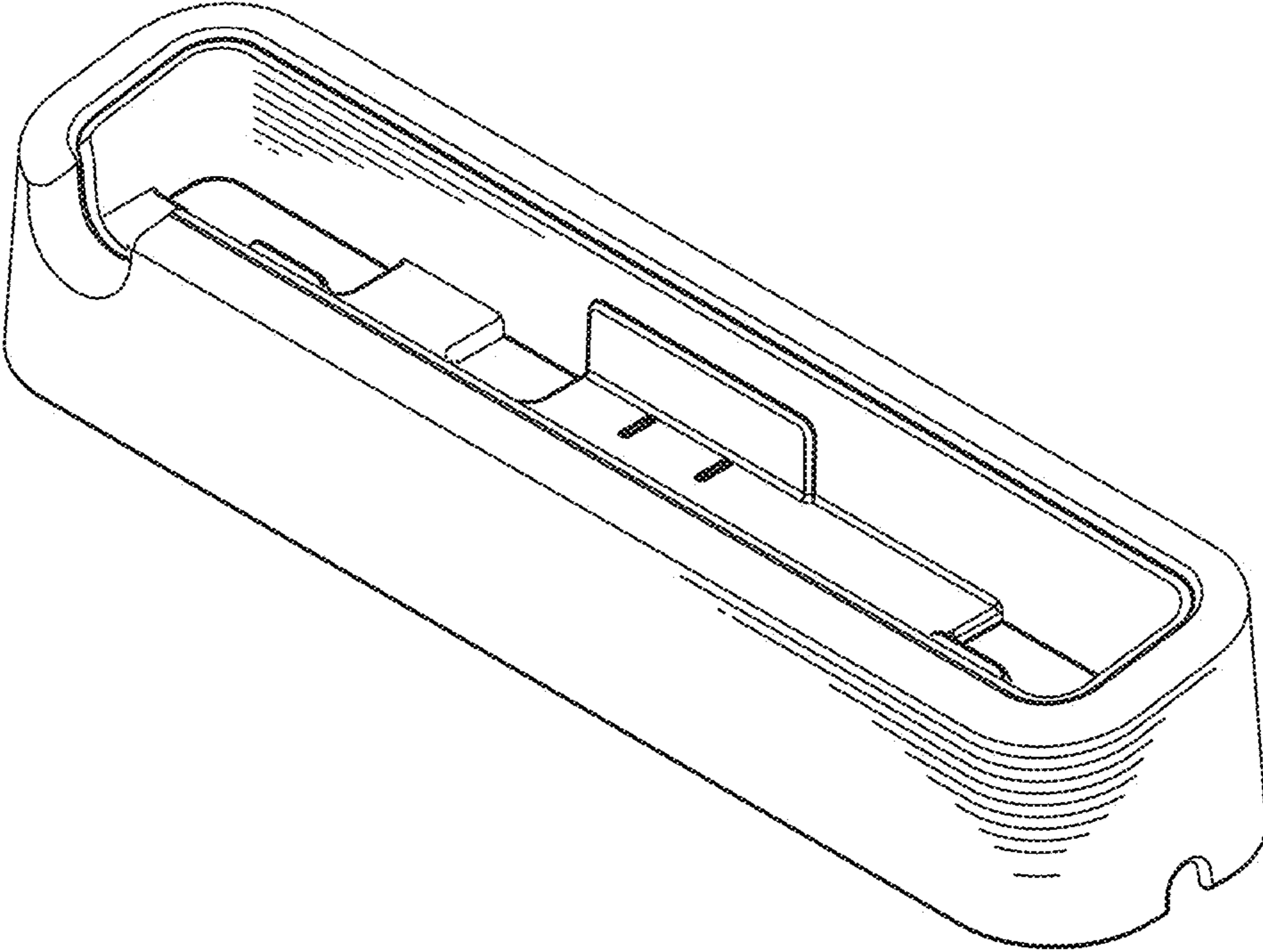


Fig.2

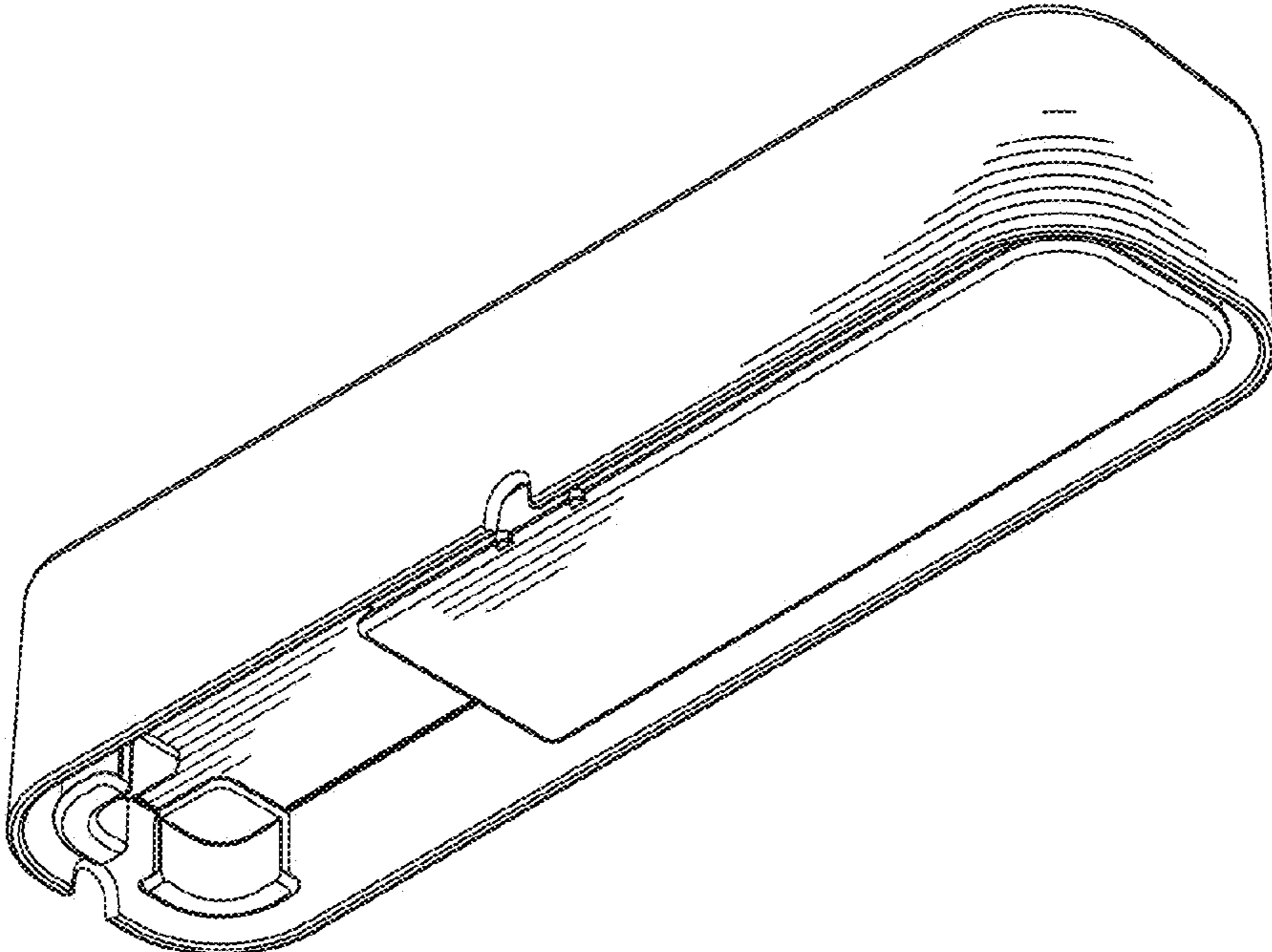


Fig.3

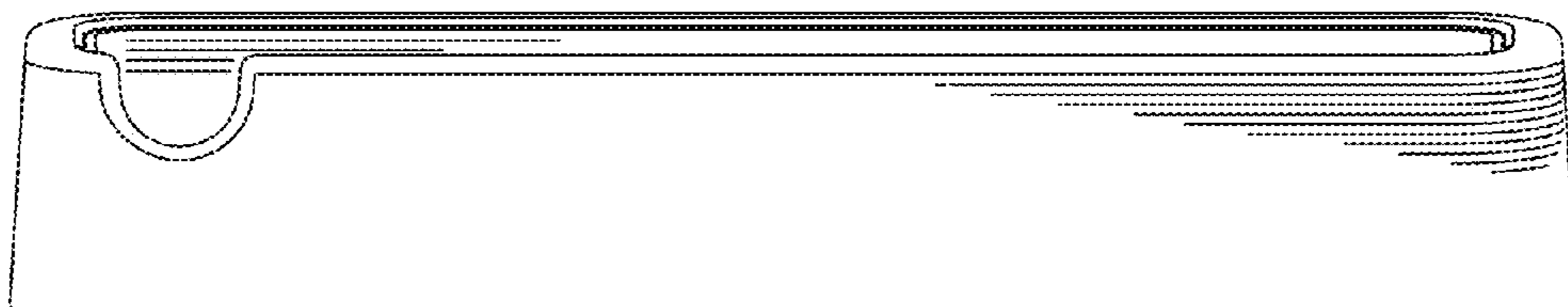


Fig.4

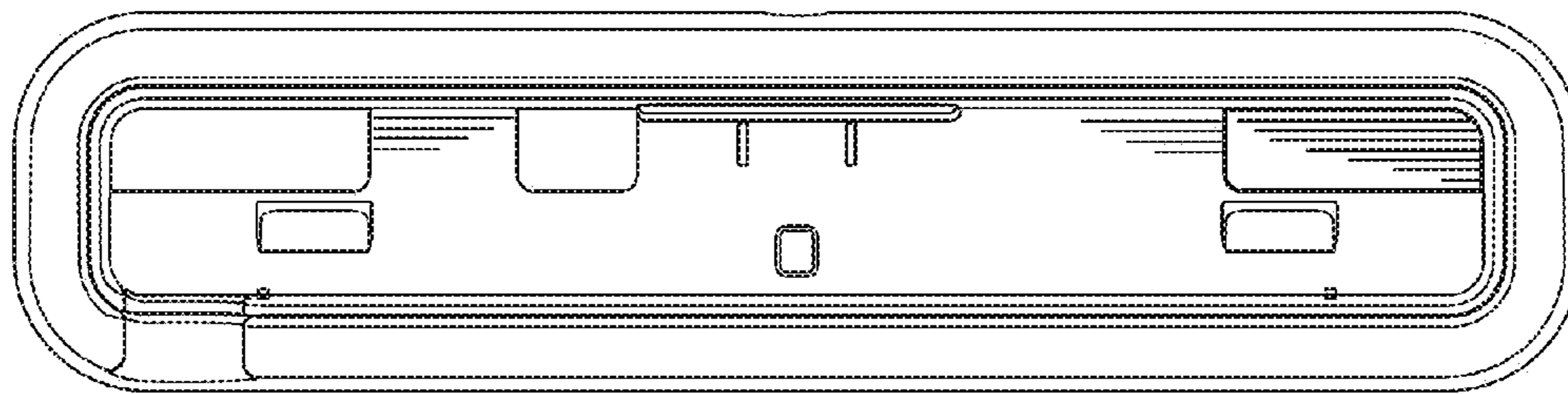


Fig.5

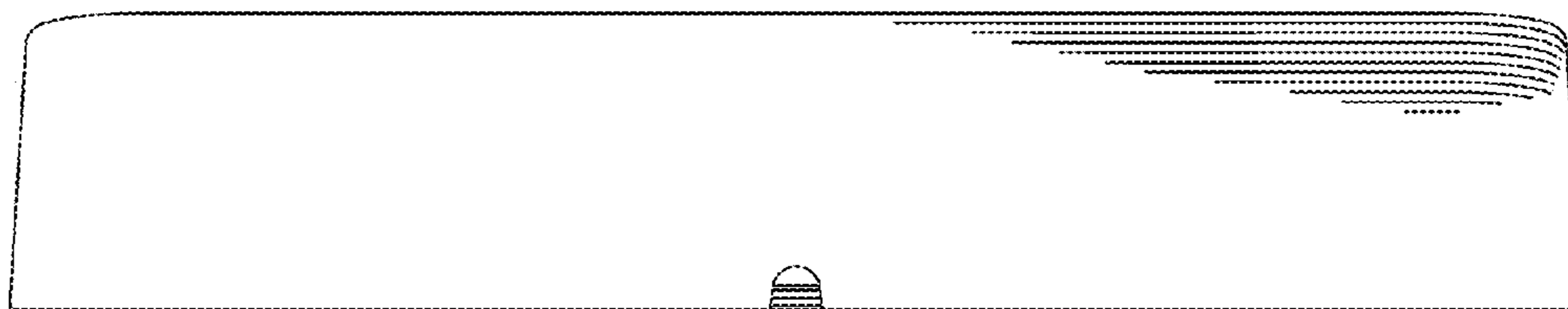


Fig.6

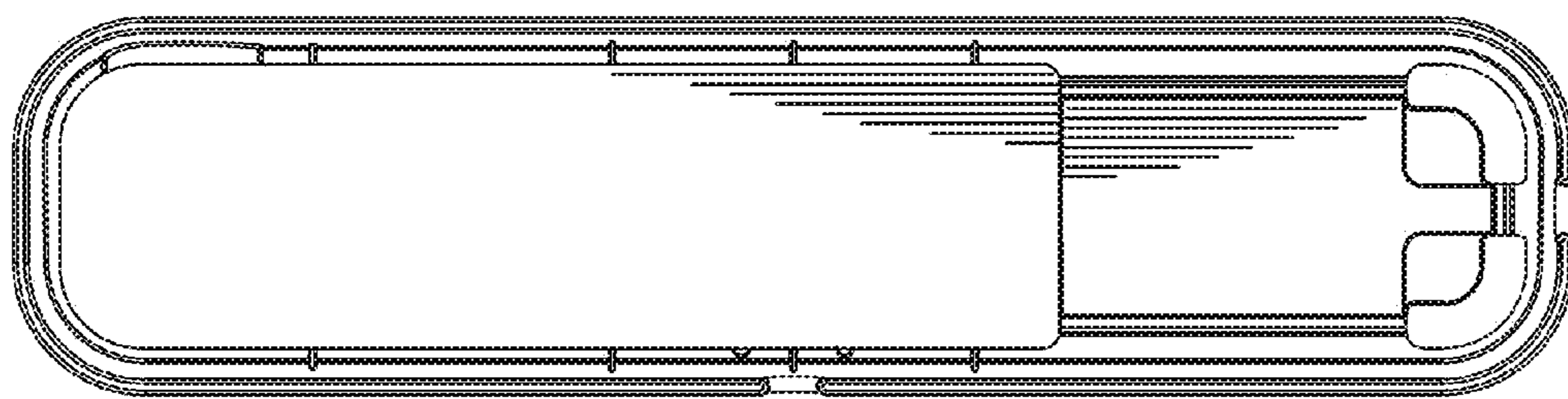


Fig.7

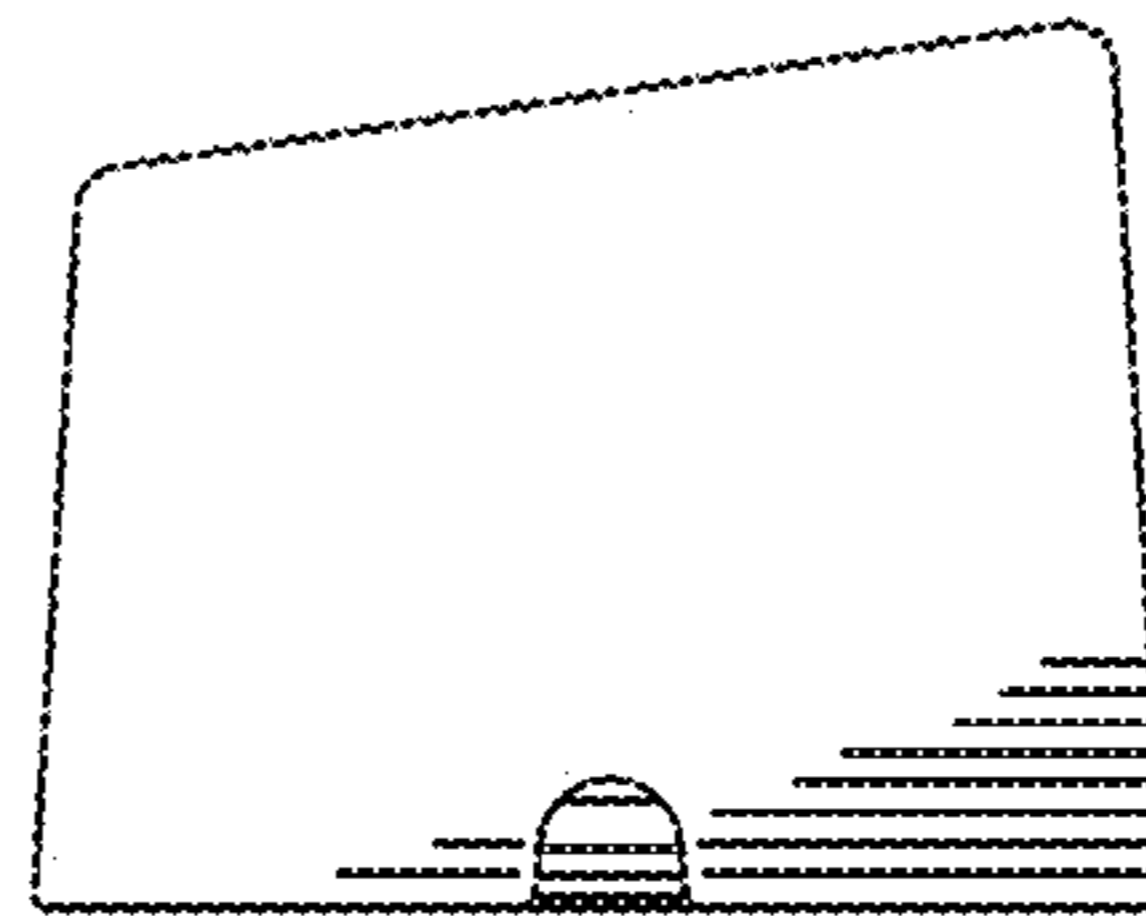


Fig.8

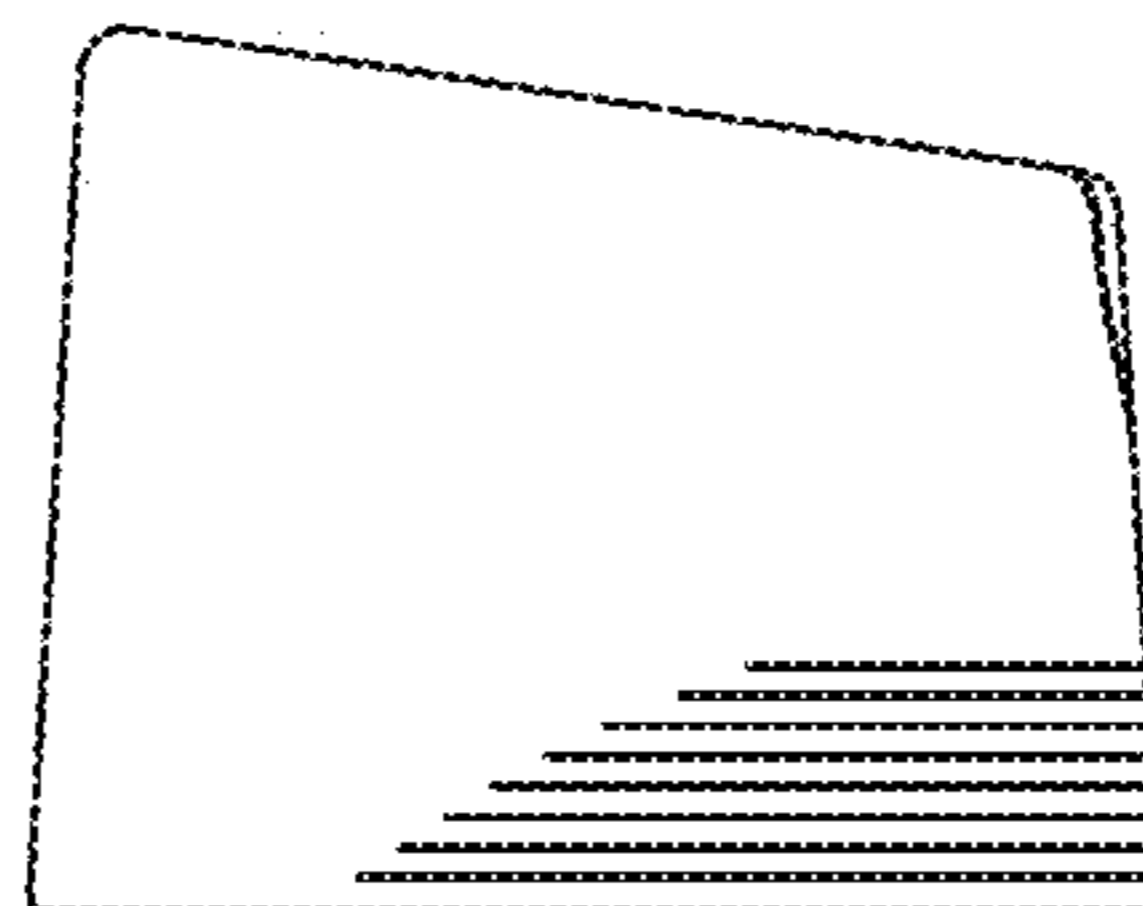


Fig.9

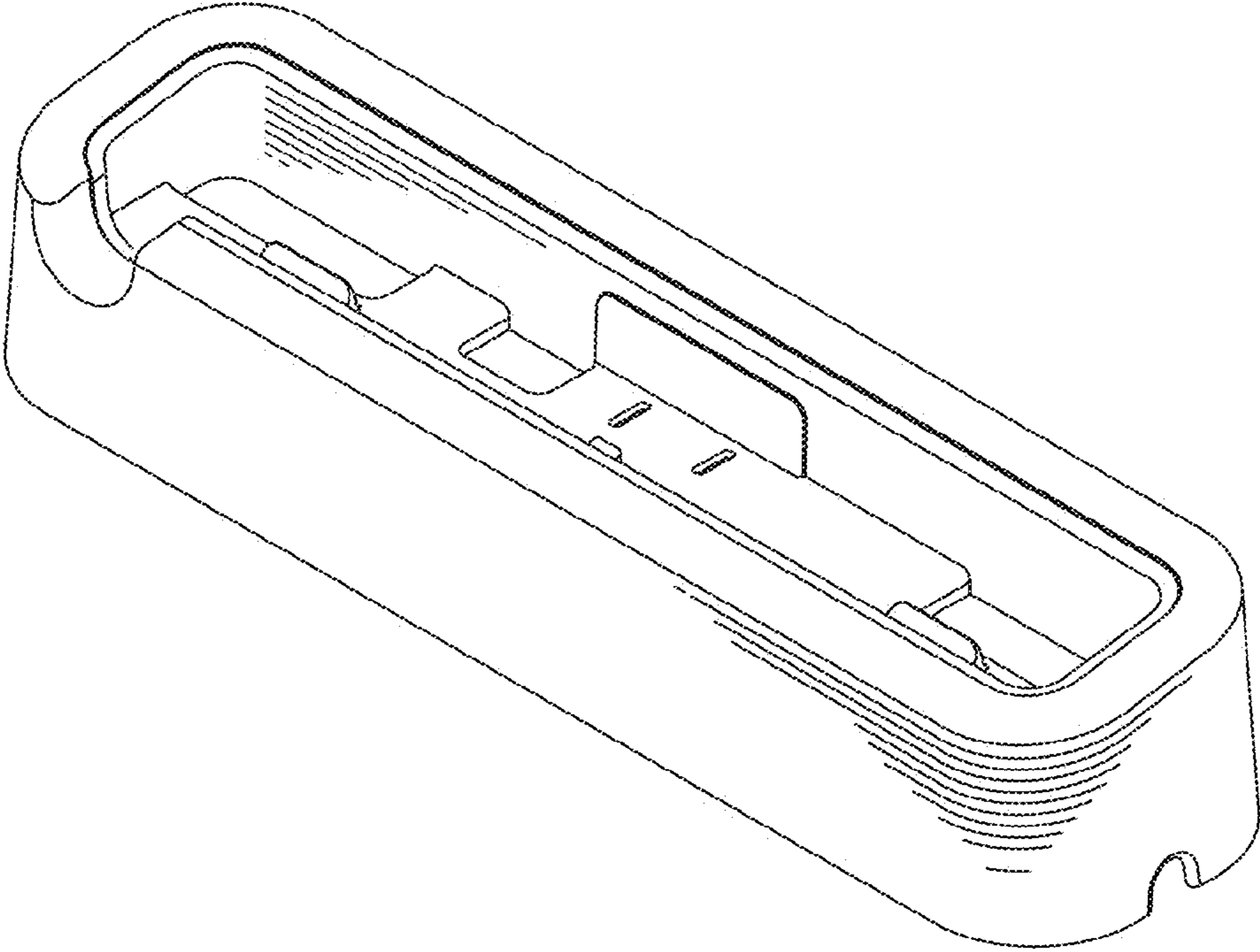


Fig.10

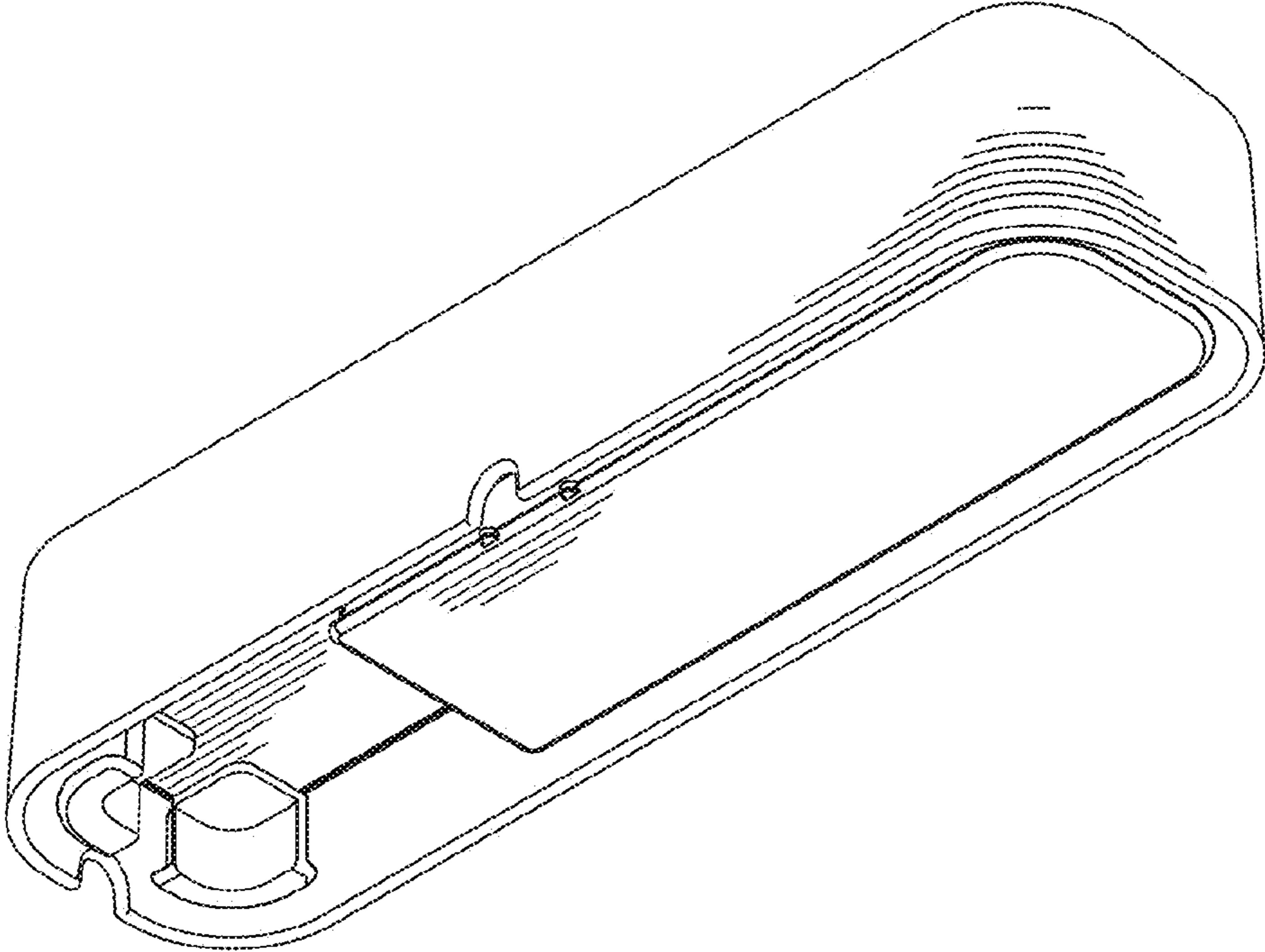


Fig. 11

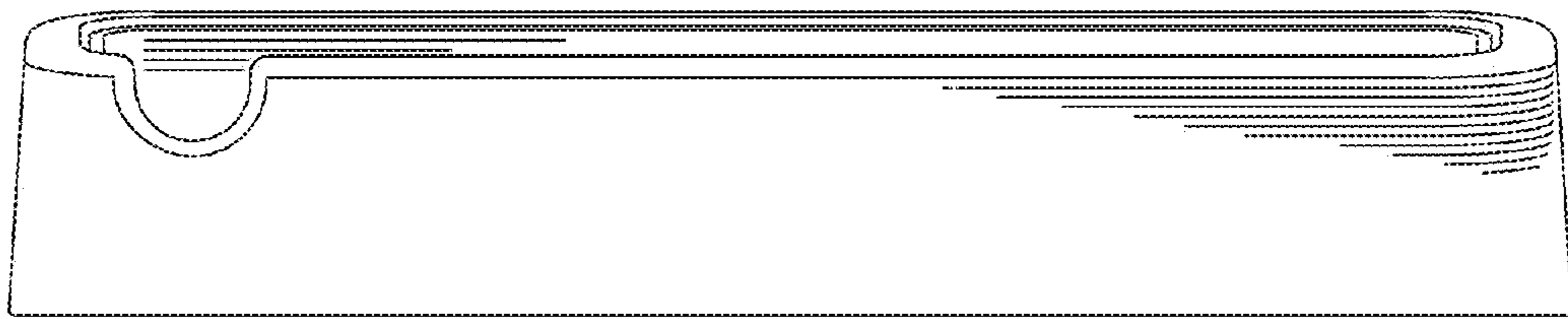


Fig.12

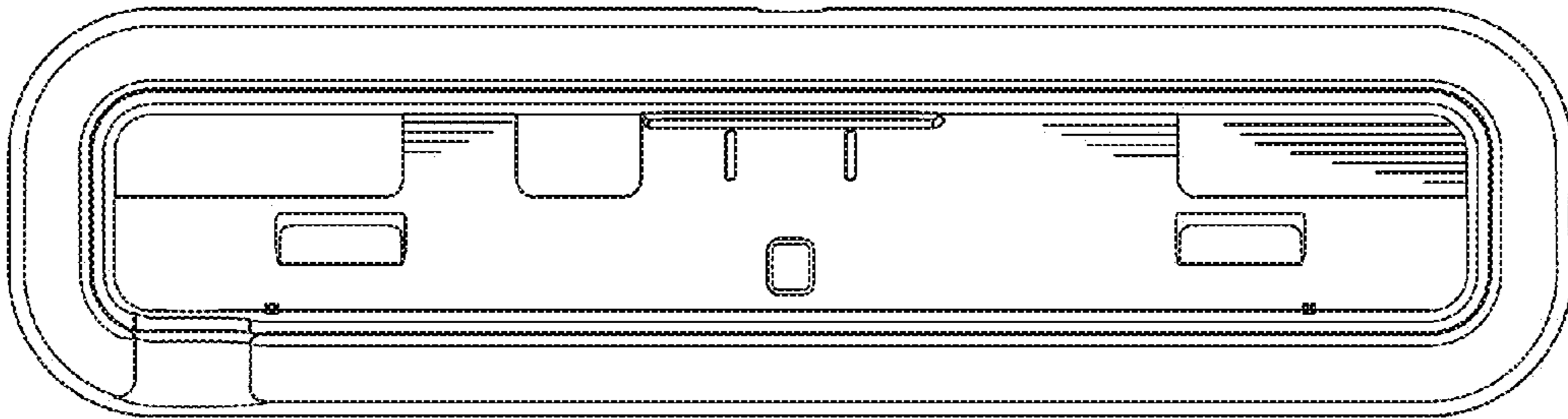


Fig. 13

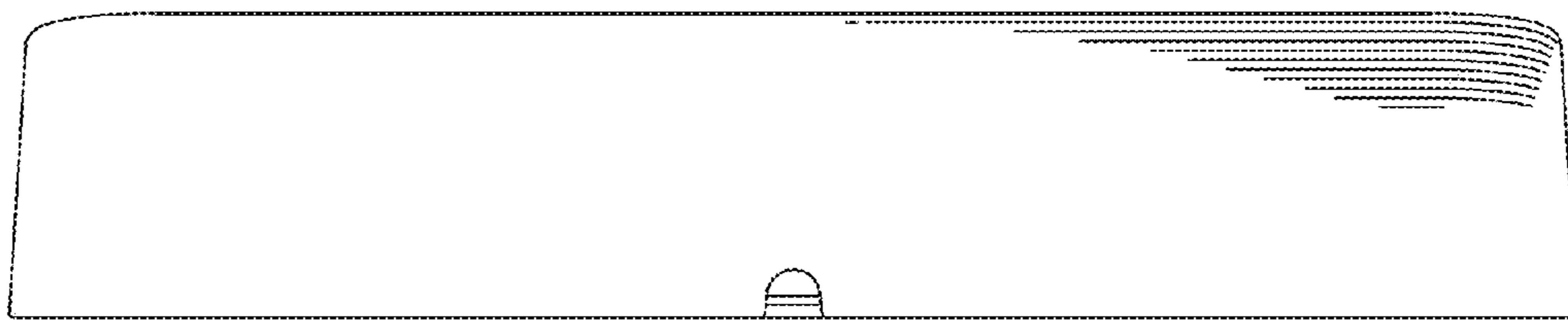


Fig. 14

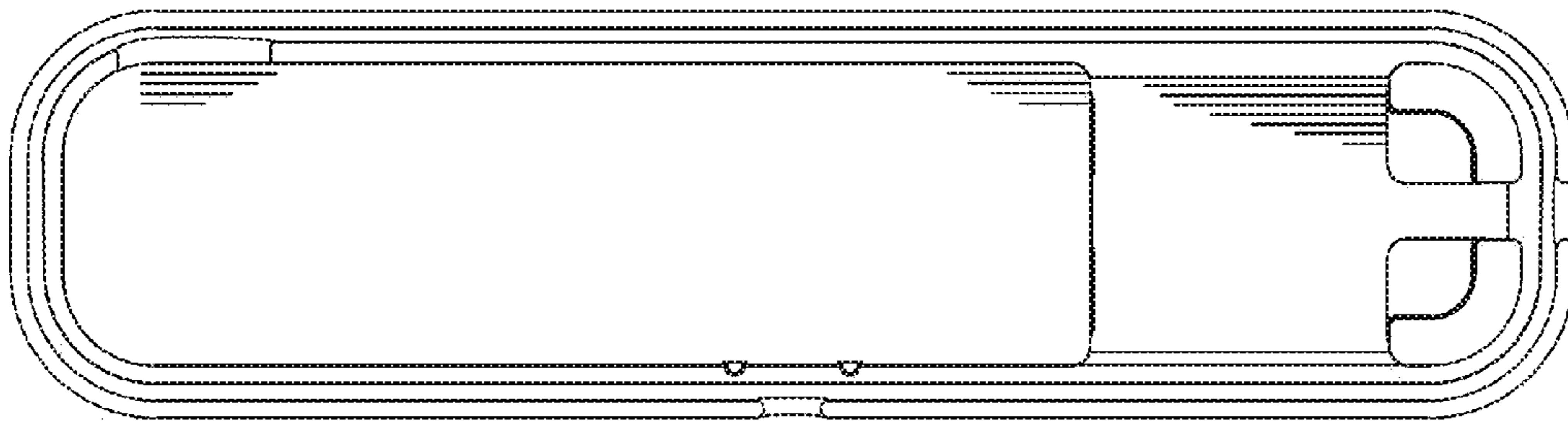


Fig.15

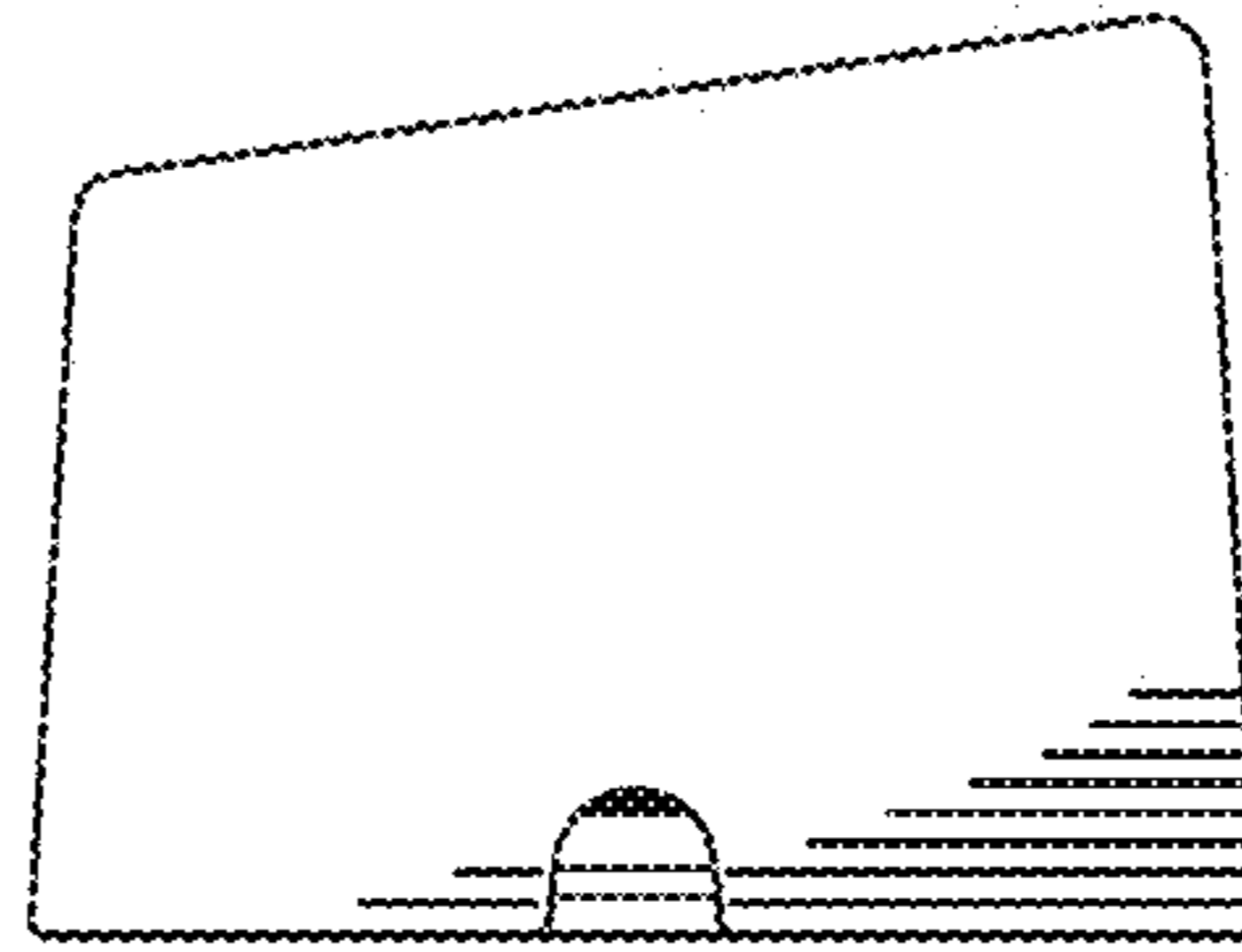


Fig.16

