



US00D743409S

(12) **United States Design Patent**
Chen

(10) **Patent No.:** **US D743,409 S**
(45) **Date of Patent:** **** Nov. 17, 2015**

(54) **ROTATABLE STRAP FOR PORTABLE ELECTRONIC DEVICE**

(71) Applicant: **GETAC TECHNOLOGY CORPORATION**, Hsinchu County (TW)

(72) Inventor: **Ying-Chun Chen**, New Taipei (TW)

(73) Assignee: **Getac Technology Corporation**, Hsinchu County (TW)

(**) Term: **14 Years**

(21) Appl. No.: **29/497,544**

(22) Filed: **Jul. 25, 2014**

(51) **LOC (10) Cl.** **08-07**

(52) **U.S. Cl.**
USPC **D14/447**

(58) **Field of Classification Search**
USPC D14/447, 432, 434, 439, 440, 451, 452, D14/457, 239; D12/415; D6/406.3, 406.4, D6/406.5, 406.6; D8/363, 373, 380
CPC F16M 2200/00; F16M 13/00; A45C 2011/003; A45C 2011/002; A47B 2023/049; A47B 2097/005; A47B 2097/006; A47B 21/04
See application file for complete search history.

(56) **References Cited**

U.S. PATENT DOCUMENTS

D598,919 S * 8/2009 Takemasa et al. D14/432
D633,504 S * 3/2011 Alexander, Jr. D14/447

(Continued)

Primary Examiner — Angela J Lee

(57) **CLAIM**

The ornamental design for a rotatable strap for portable electronic device, as shown and described.

DESCRIPTION

FIG. 1 is a front perspective view showing a first embodiment of my new design;

FIG. 2 is a front view of the first embodiment of my new design;

FIG. 3 is a rear view of the first embodiment of my new design;

FIG. 4 is a left side view of the first embodiment of my new design;

FIG. 5 is a right side view of the first embodiment of my new design;

FIG. 6 is a top view of the first embodiment of my new design;

FIG. 7 is a bottom view of the first embodiment of my new design;

FIG. 8 is perspective reference view of my new design assembled on a portable electronic device;

FIG. 9 is a perspective reference view of using a portable electronic device with my new design by holding;

FIG. 10 is a perspective reference view of a portable electronic device with my new design when a hand strap rotates;

FIG. 11 is a perspective reference view of a portable electronic device with my new design by holding when the portable electronic device rotates to use;

FIG. 12 is a front perspective view showing a second embodiment of my new design;

FIG. 13 is a front view of the second embodiment of my new design;

FIG. 14 is a rear view of the second embodiment of my new design;

FIG. 15 is a left side view of the second embodiment of my new design;

FIG. 16 is a right side view of the second embodiment of my new design;

FIG. 17 is a top view of the second embodiment of my new design;

FIG. 18 is a bottom view of the second embodiment of my new design;

FIG. 19 is perspective reference view of my new design assembled on a portable electronic device;

FIG. 20 is a perspective reference view of using a portable electronic device with my new design by holding;

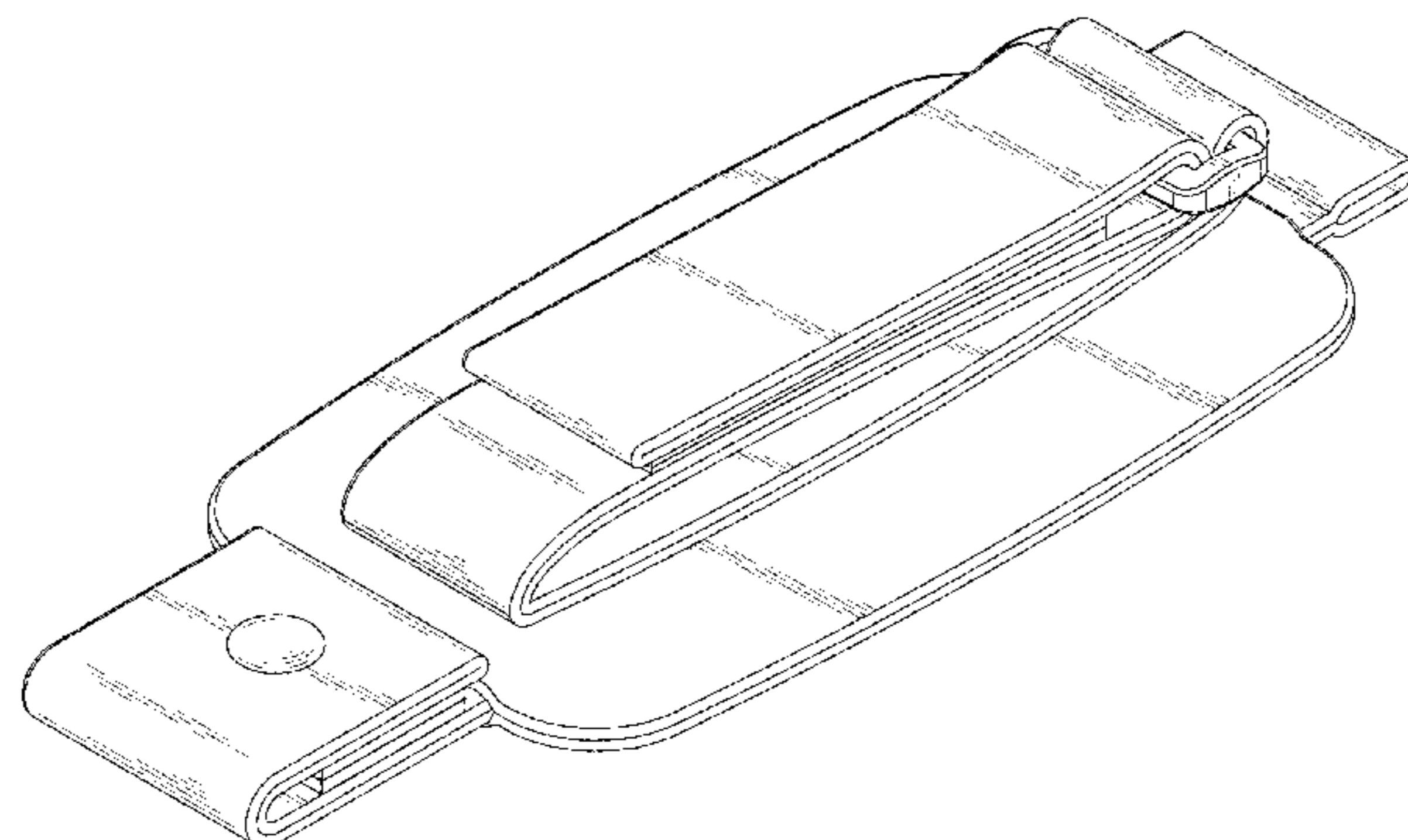
FIG. 21 is a perspective reference view of a portable electronic device with my new design when a hand strap rotates;

and,

FIG. 22 is a perspective reference view of a portable electronic device with my new design by holding when the portable electronic device rotates to use.

The broken lines shown in the drawings represent environment that form no part of the claimed design.

1 Claim, 18 Drawing Sheets



US D743,409 S

Page 2

(56)

References Cited

U.S. PATENT DOCUMENTS

D646,052 S *	10/2011	Phelps et al.	D3/218	D709,512 S *	7/2014	Wardlaw	D14/447
D673,162 S *	12/2012	Young	D14/447	8,827,234 B2 *	9/2014	Baker	248/682
D687,039 S *	7/2013	Wyers	D14/439	D721,373 S *	1/2015	Logereau	D14/432
D707,684 S *	6/2014	Hill	D14/447	D733,151 S *	6/2015	Brierley	D14/440
				2009/0219677 A1 *	9/2009	Mori et al.	361/679.03
				2011/0266316 A1 *	11/2011	Ghalib et al.	224/217
				2014/0152034 A1 *	6/2014	Tussy	294/142

* cited by examiner

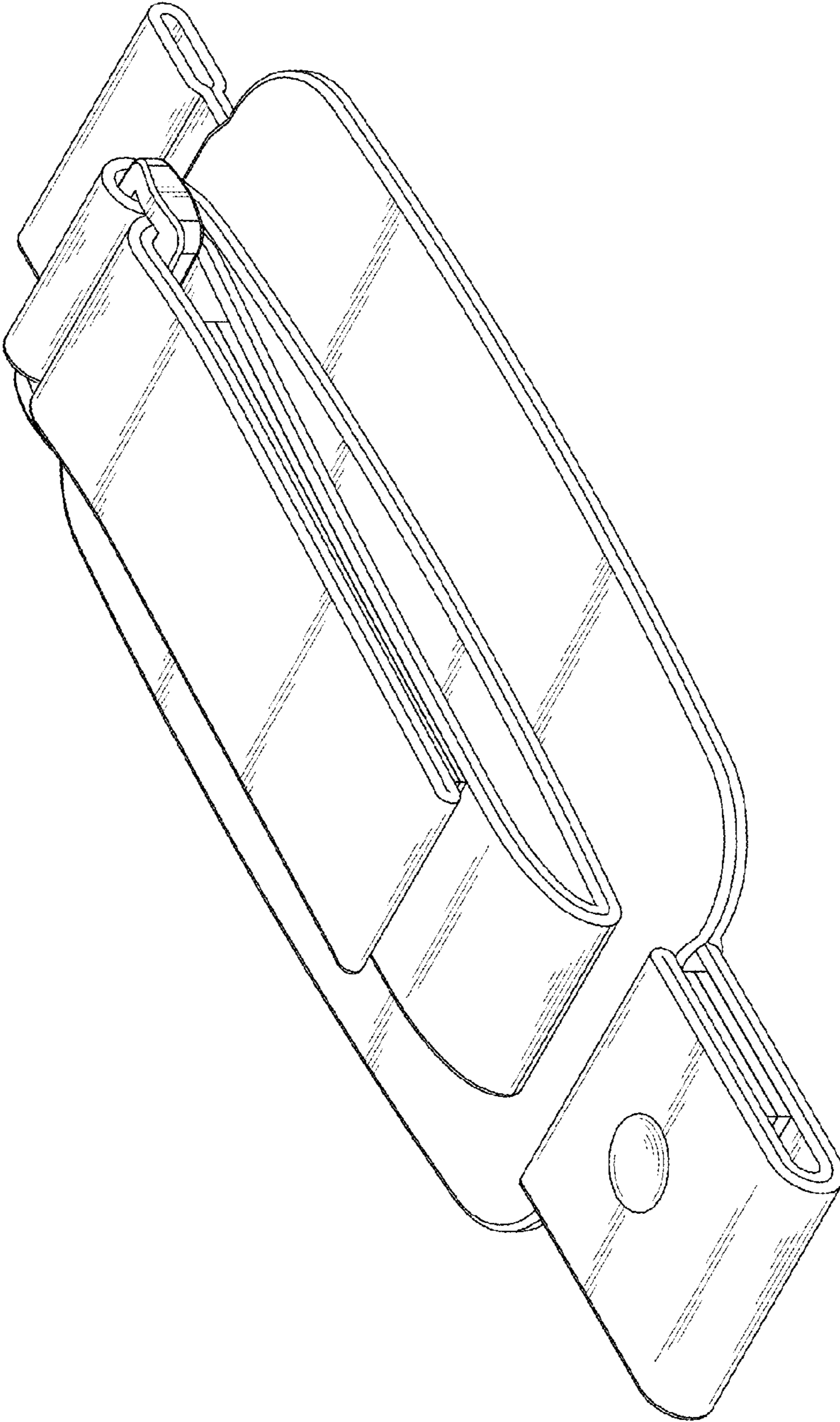


FIG. 1

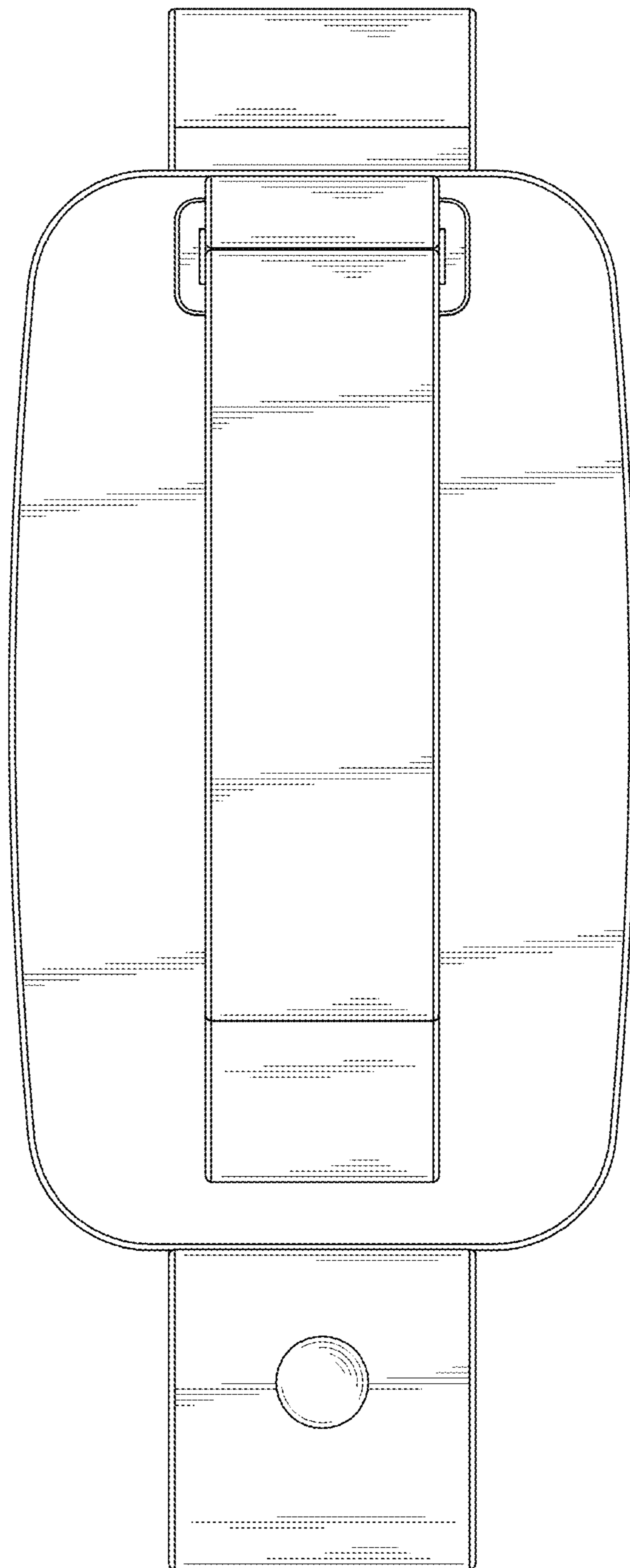


FIG. 2

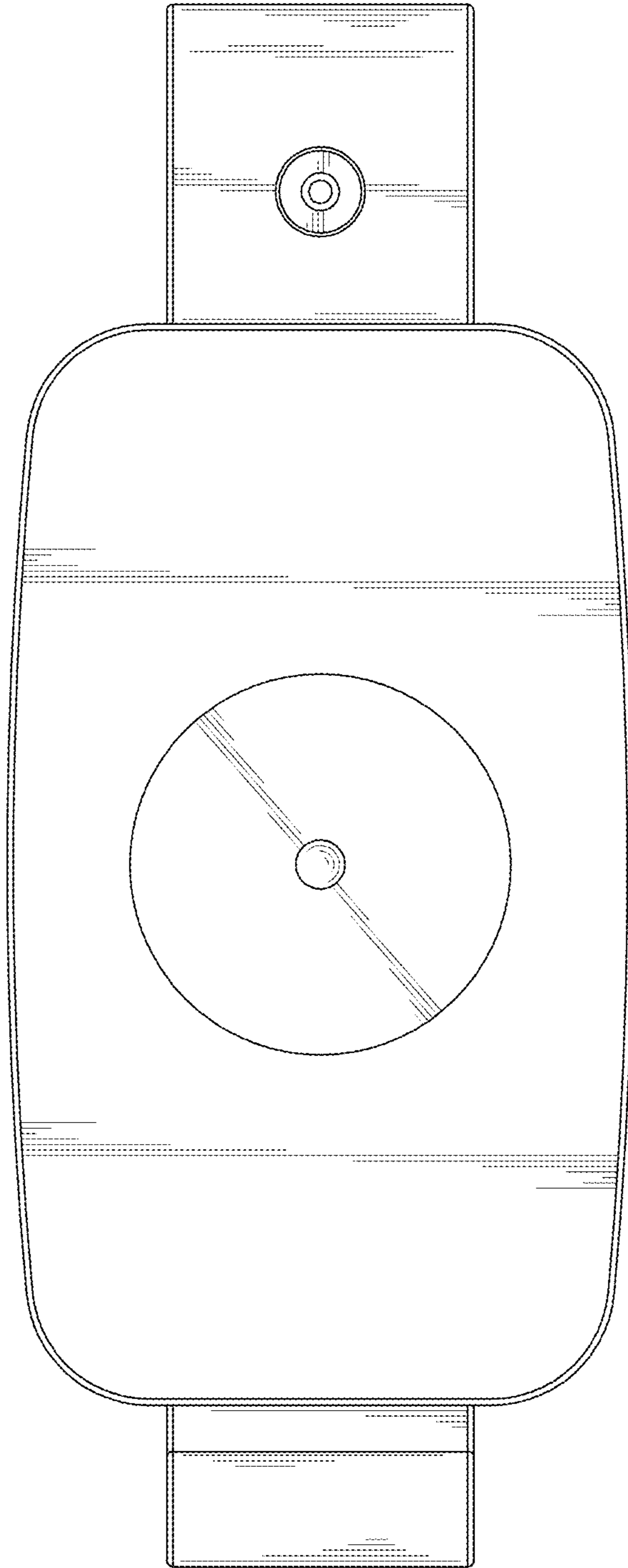


FIG. 3

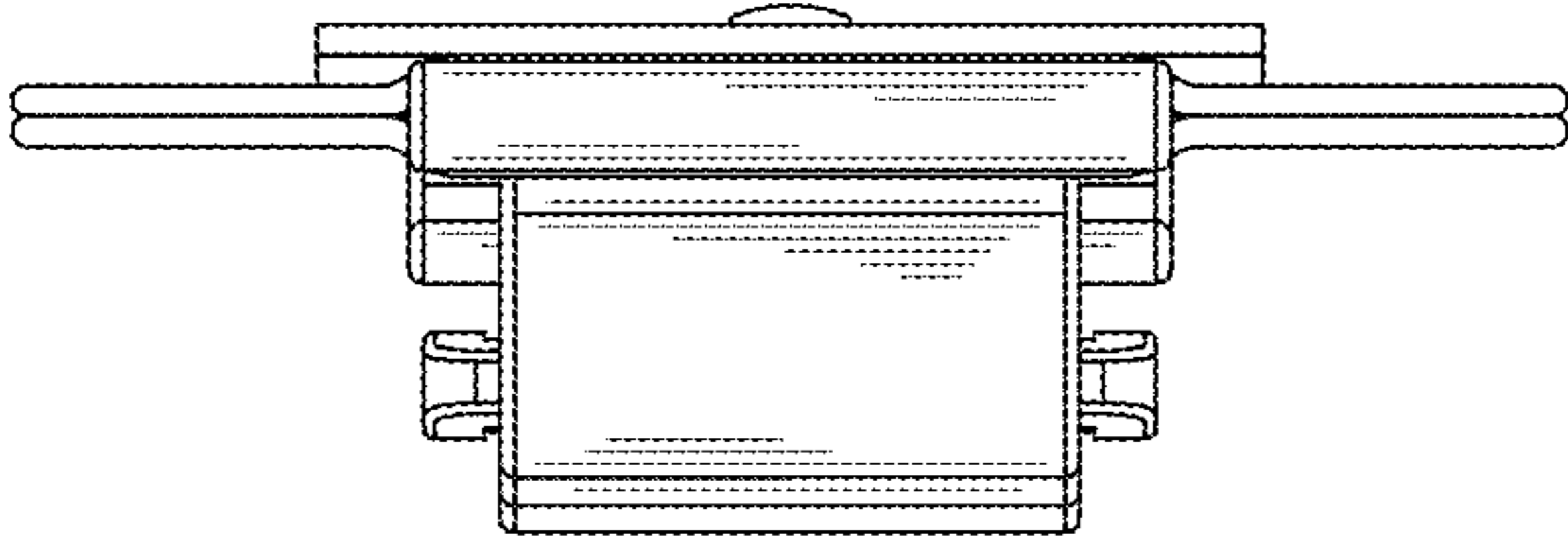


FIG. 5

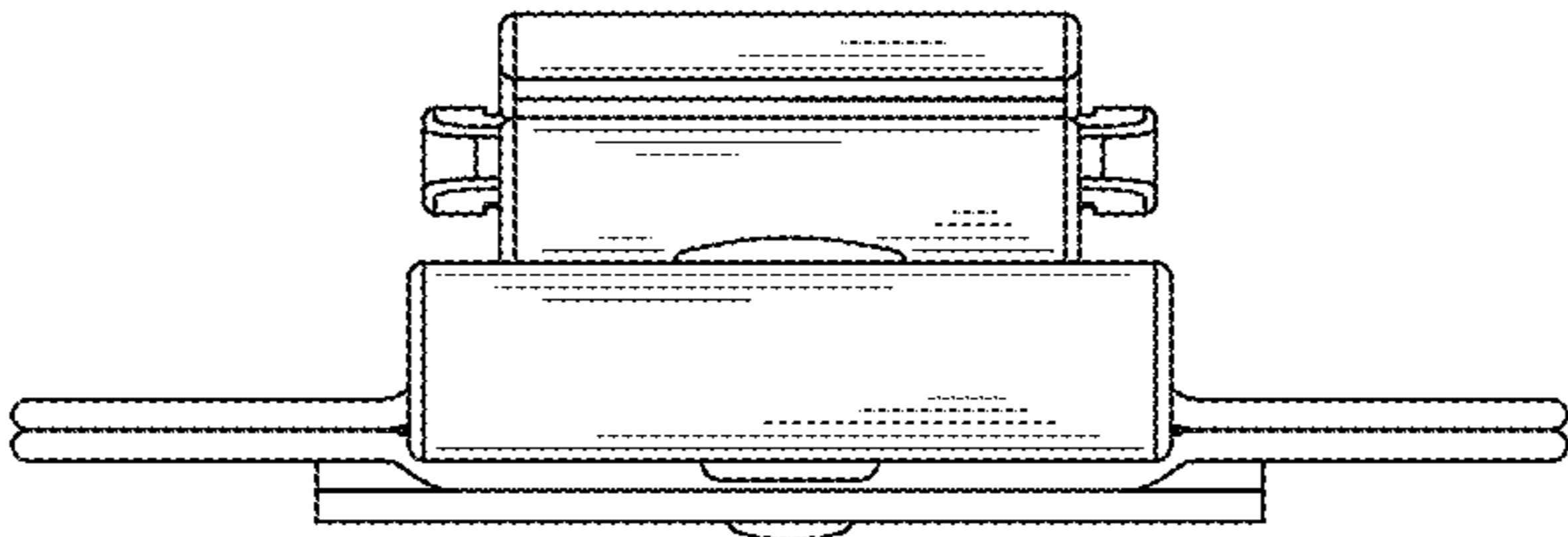


FIG. 4

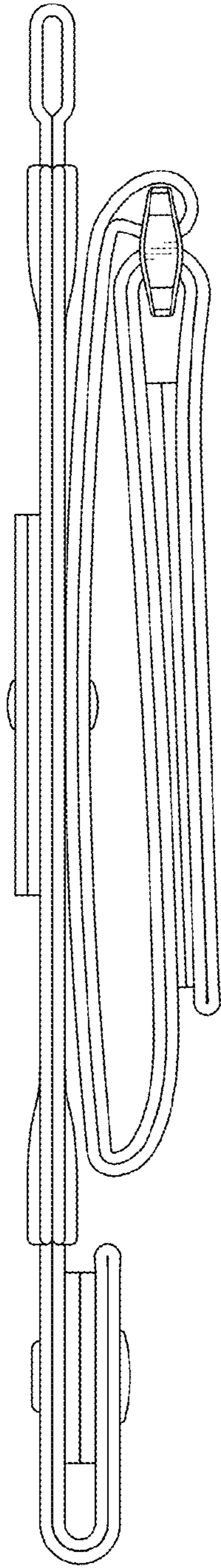


FIG. 6

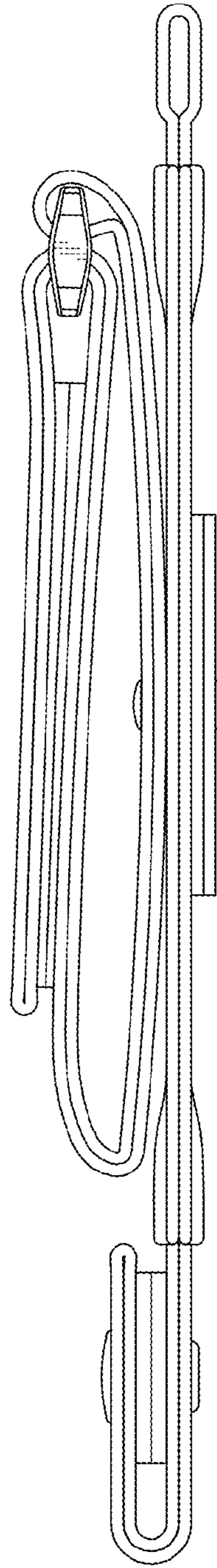


FIG. 7

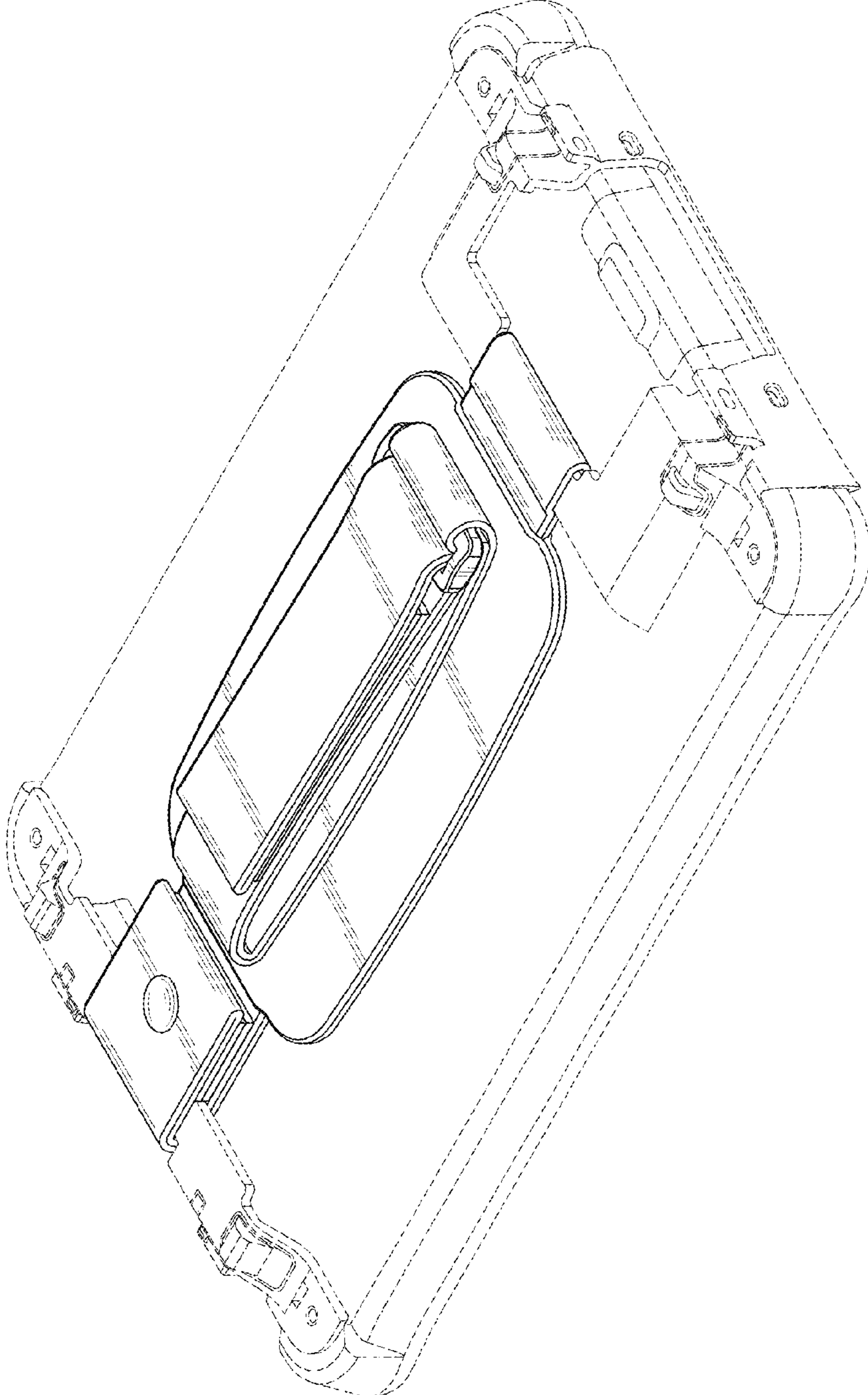


FIG. 8

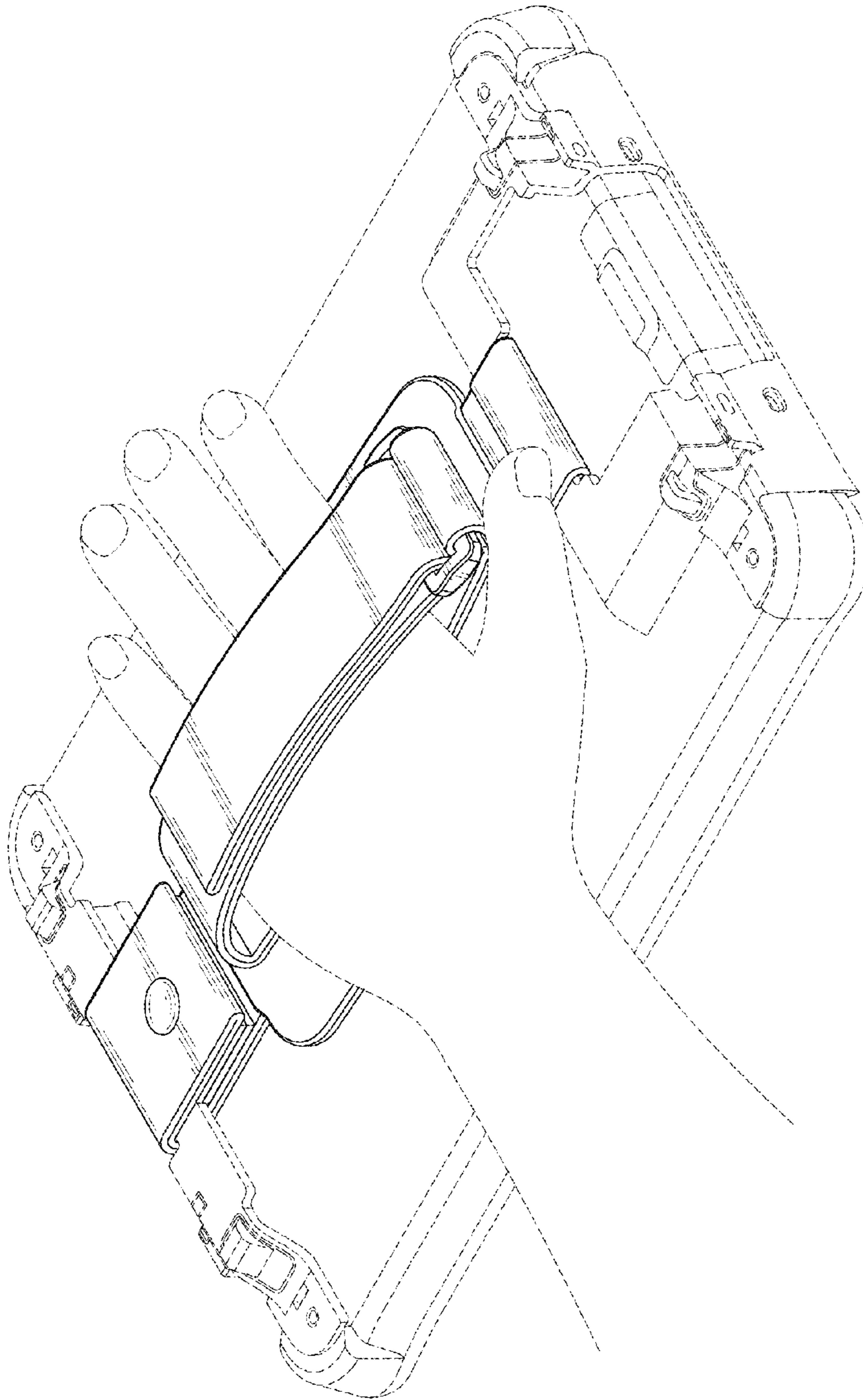


FIG. 9

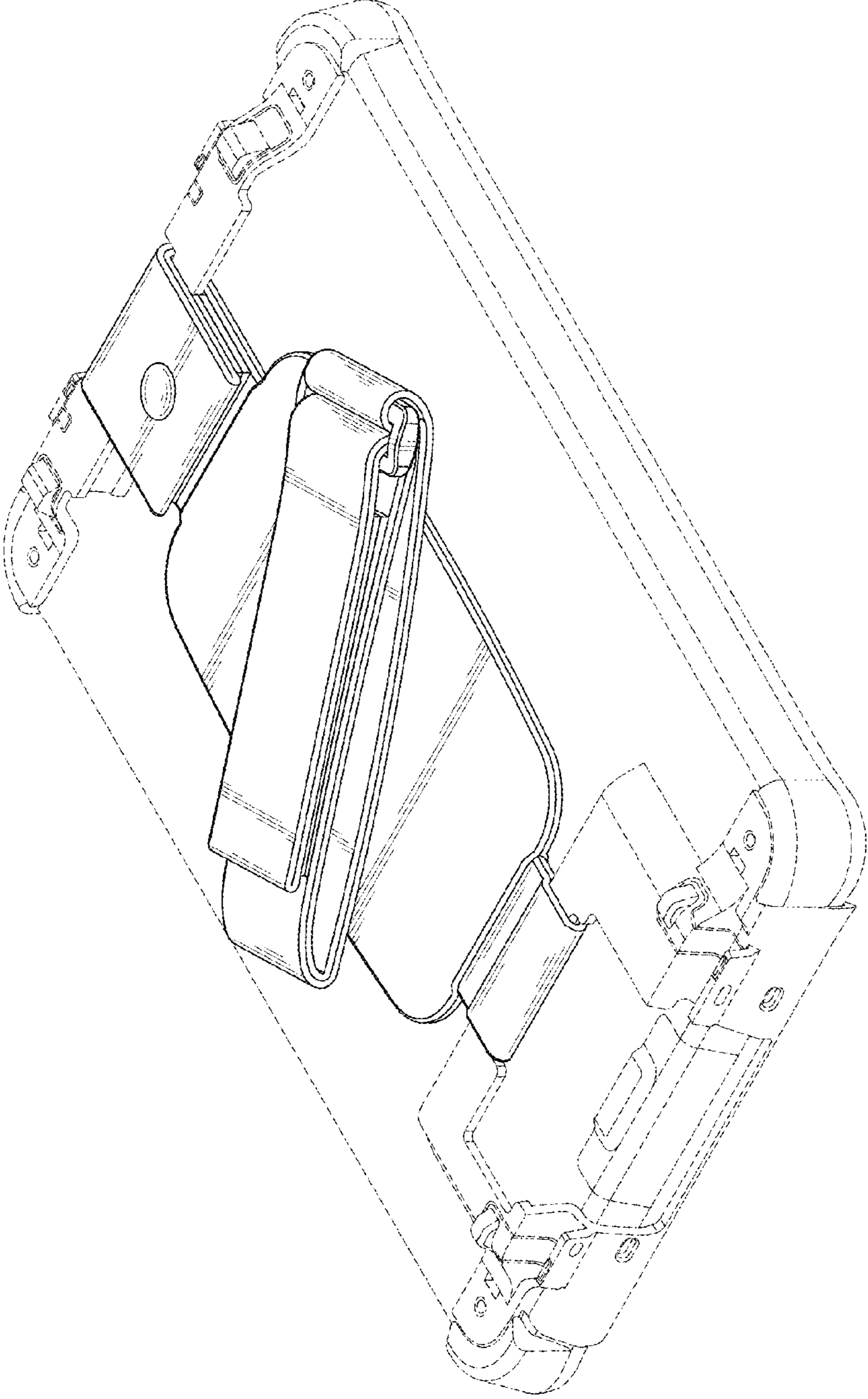


FIG. 10

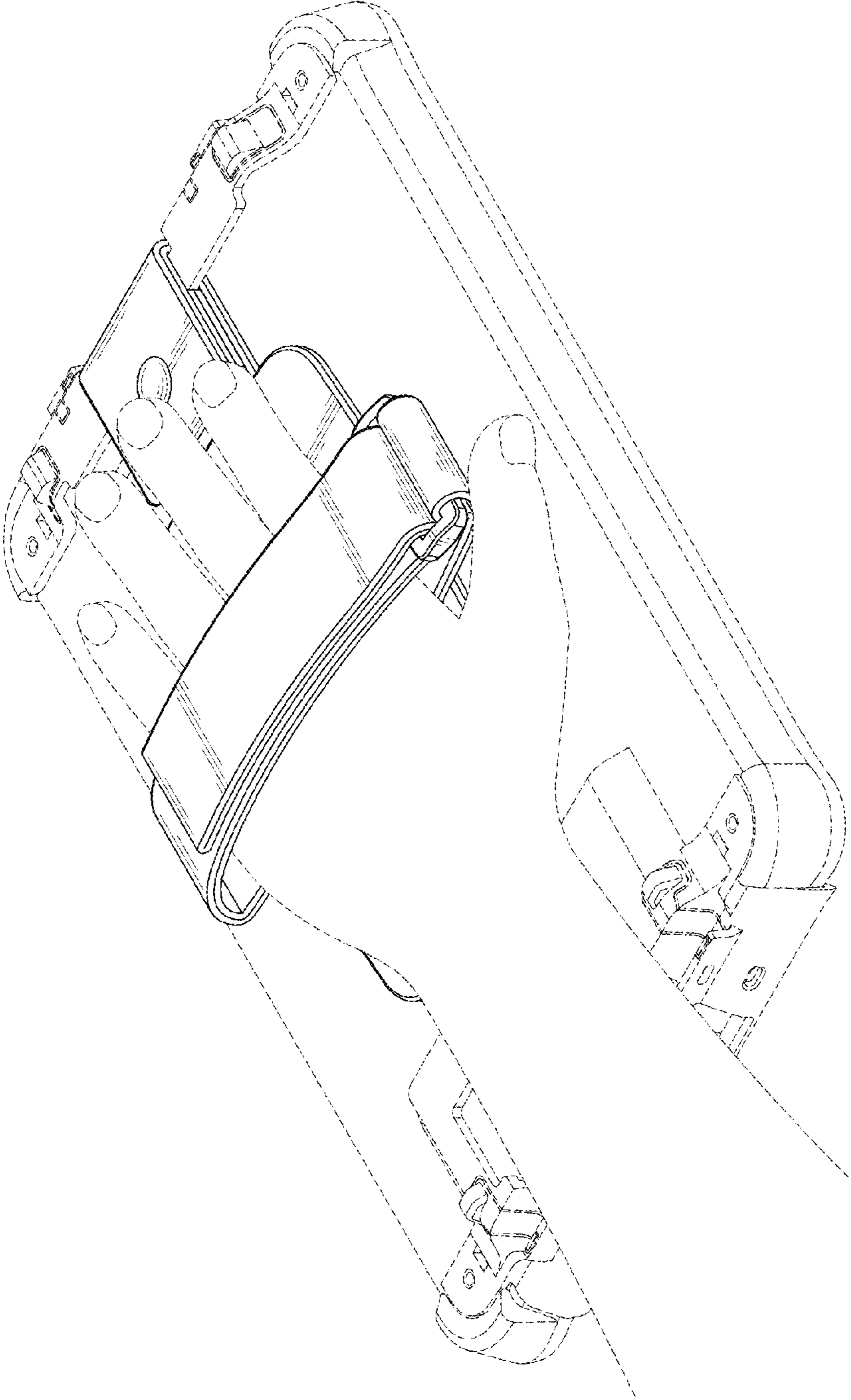


FIG. 11

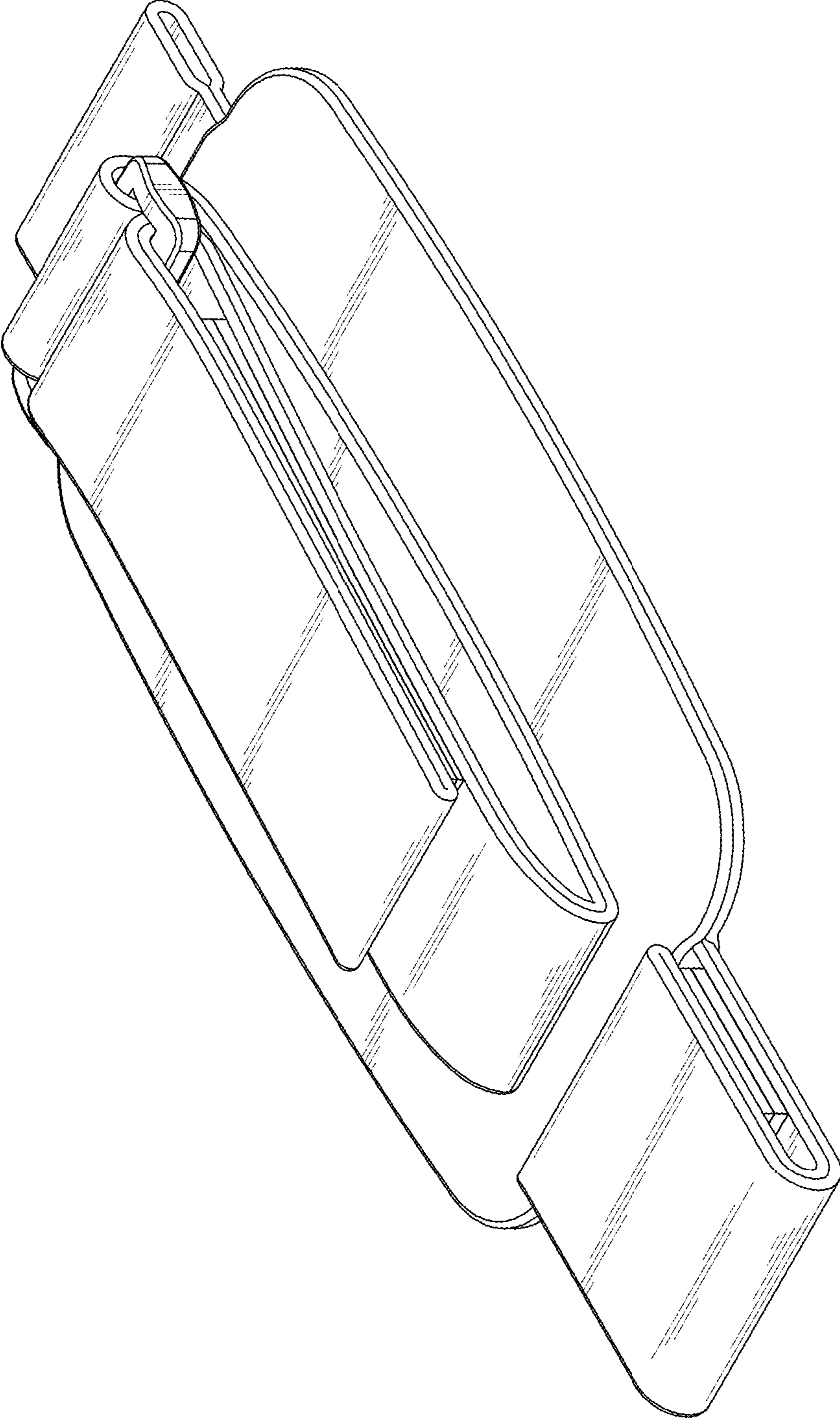


FIG. 12

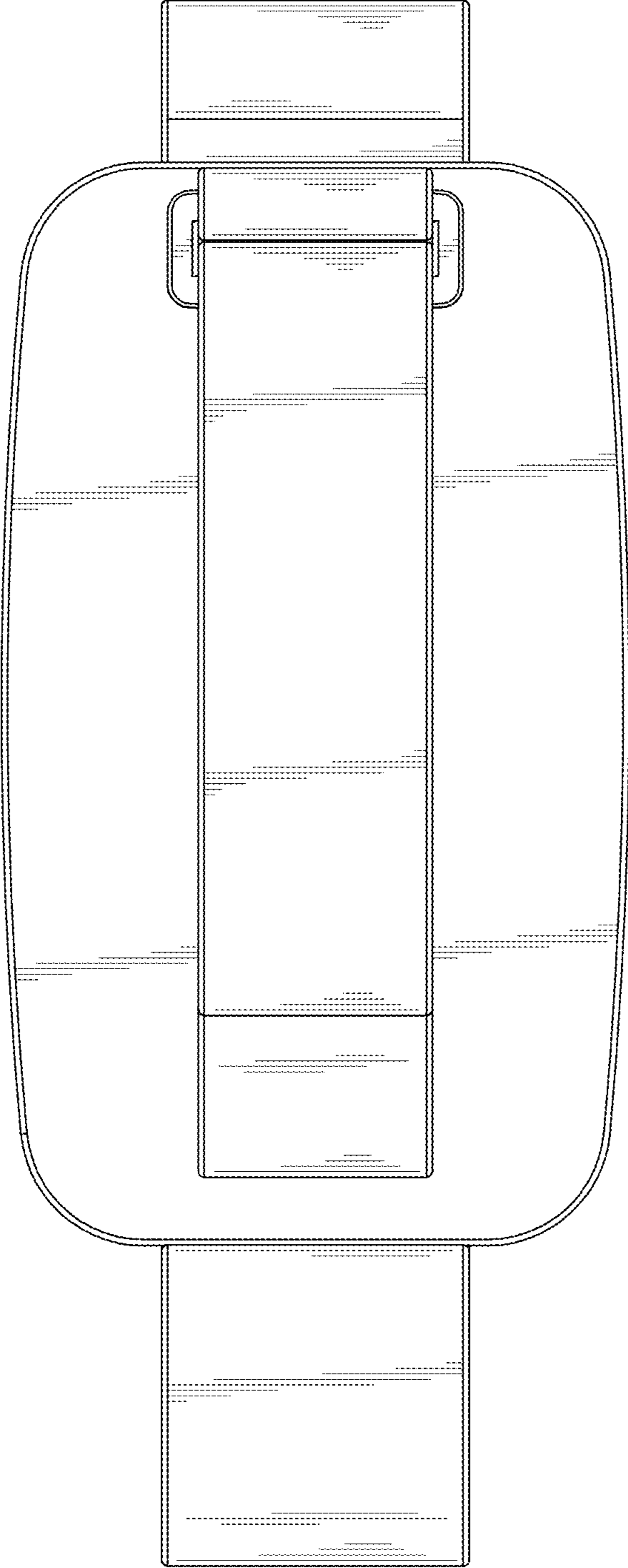


FIG. 13

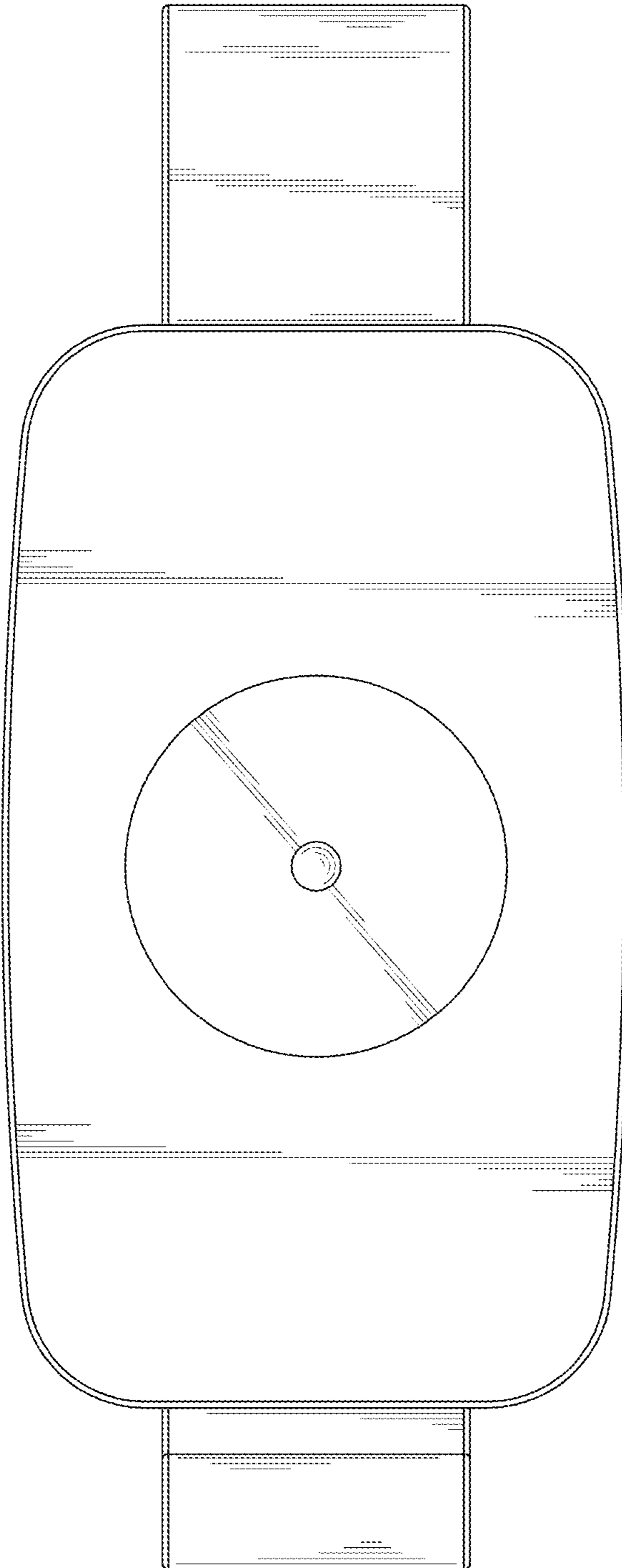


FIG. 14

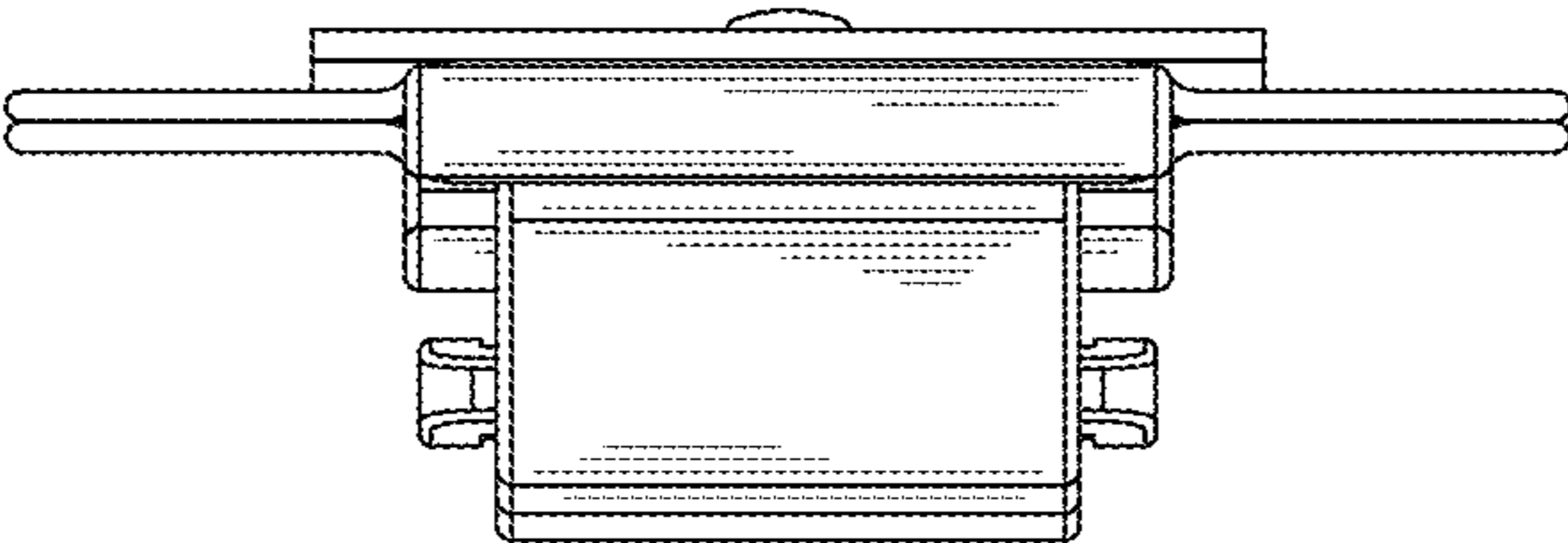


FIG. 15

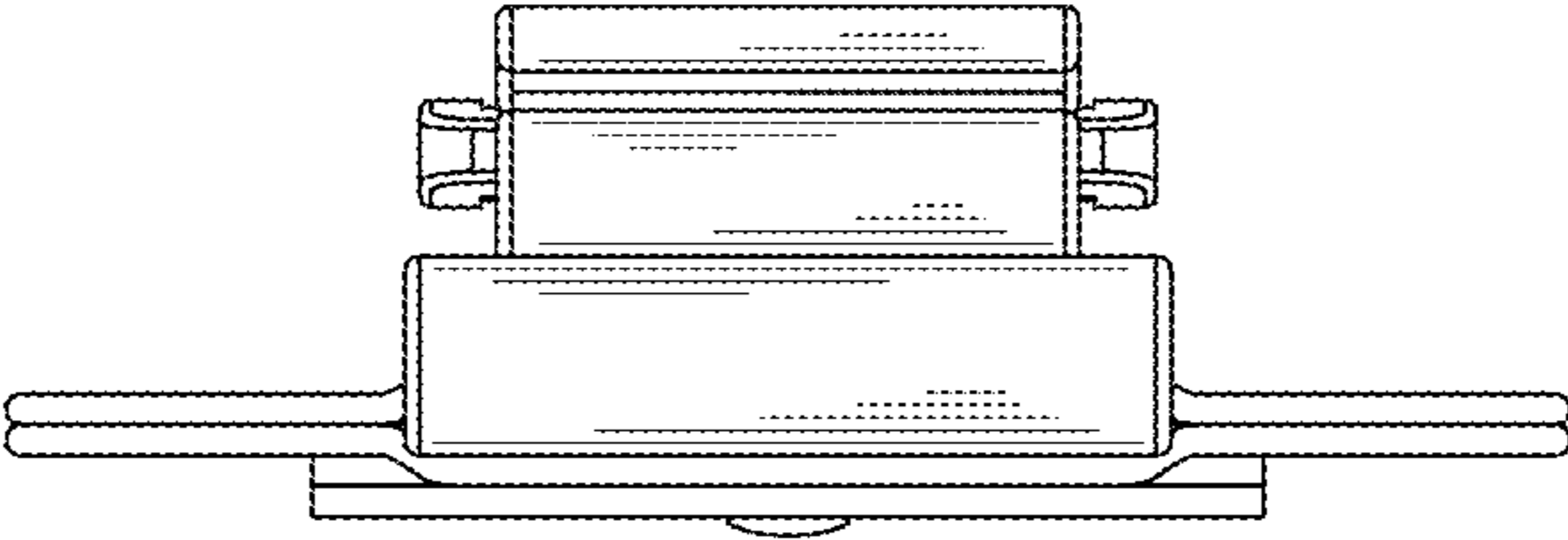


FIG. 16

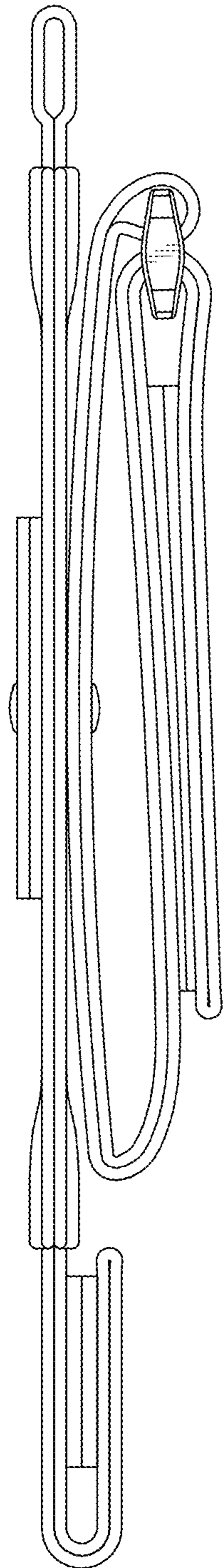


FIG. 17

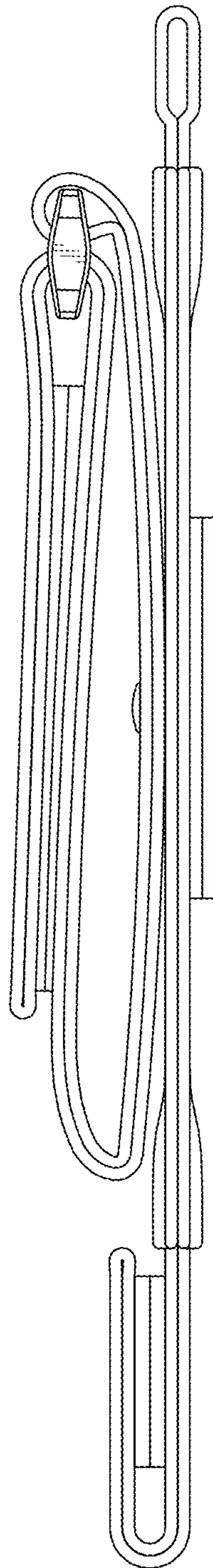


FIG. 18

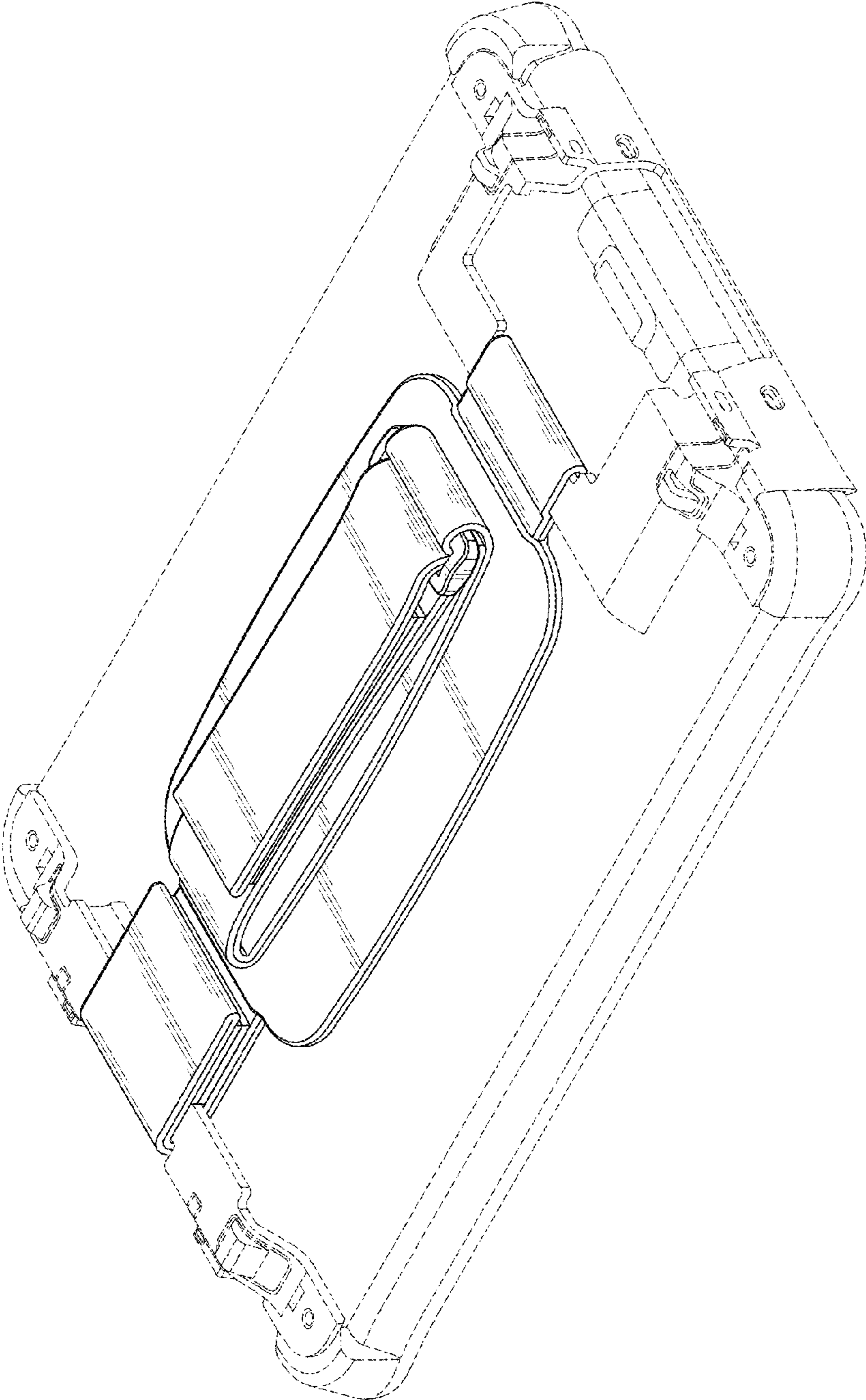


FIG. 19

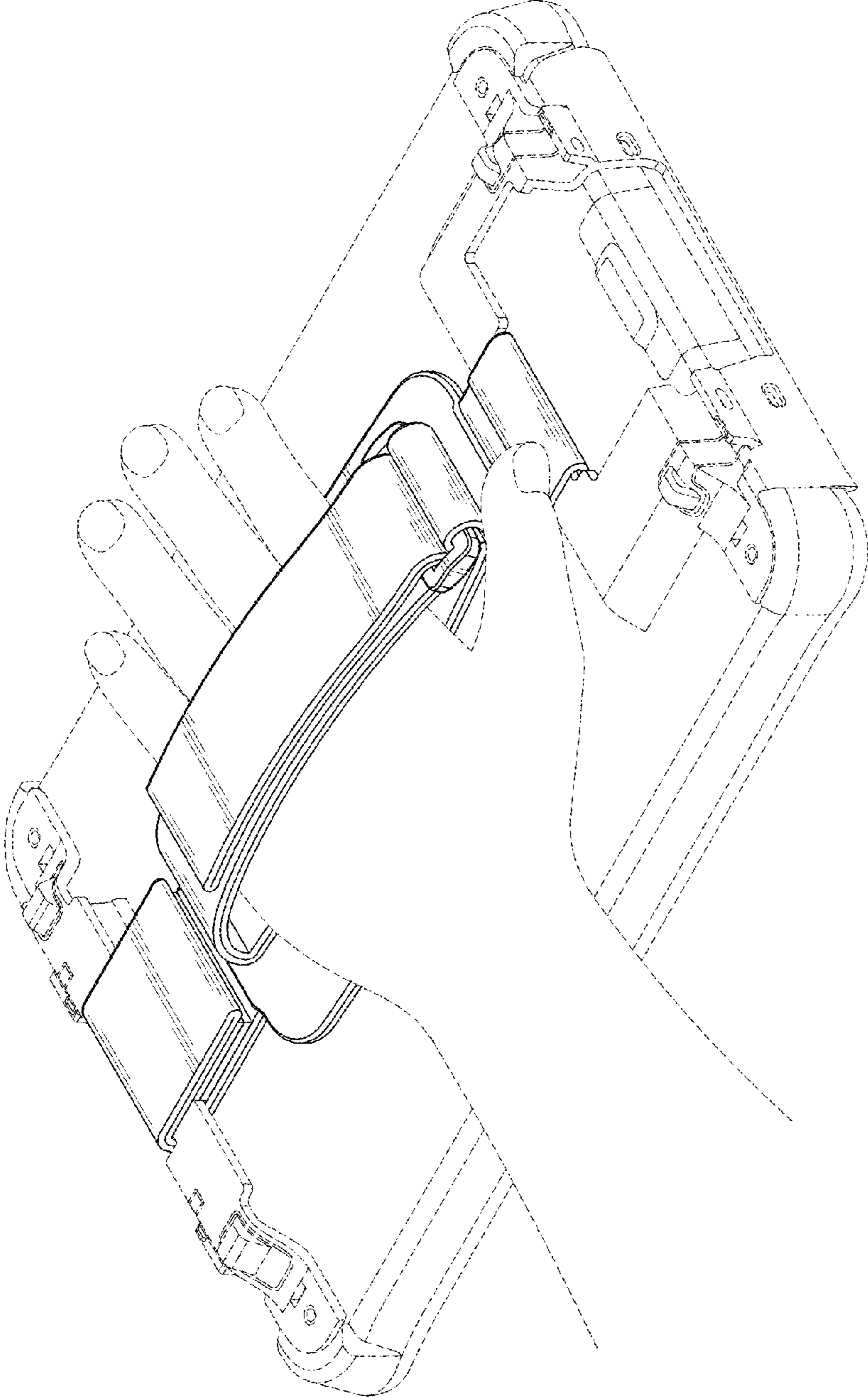


FIG. 20

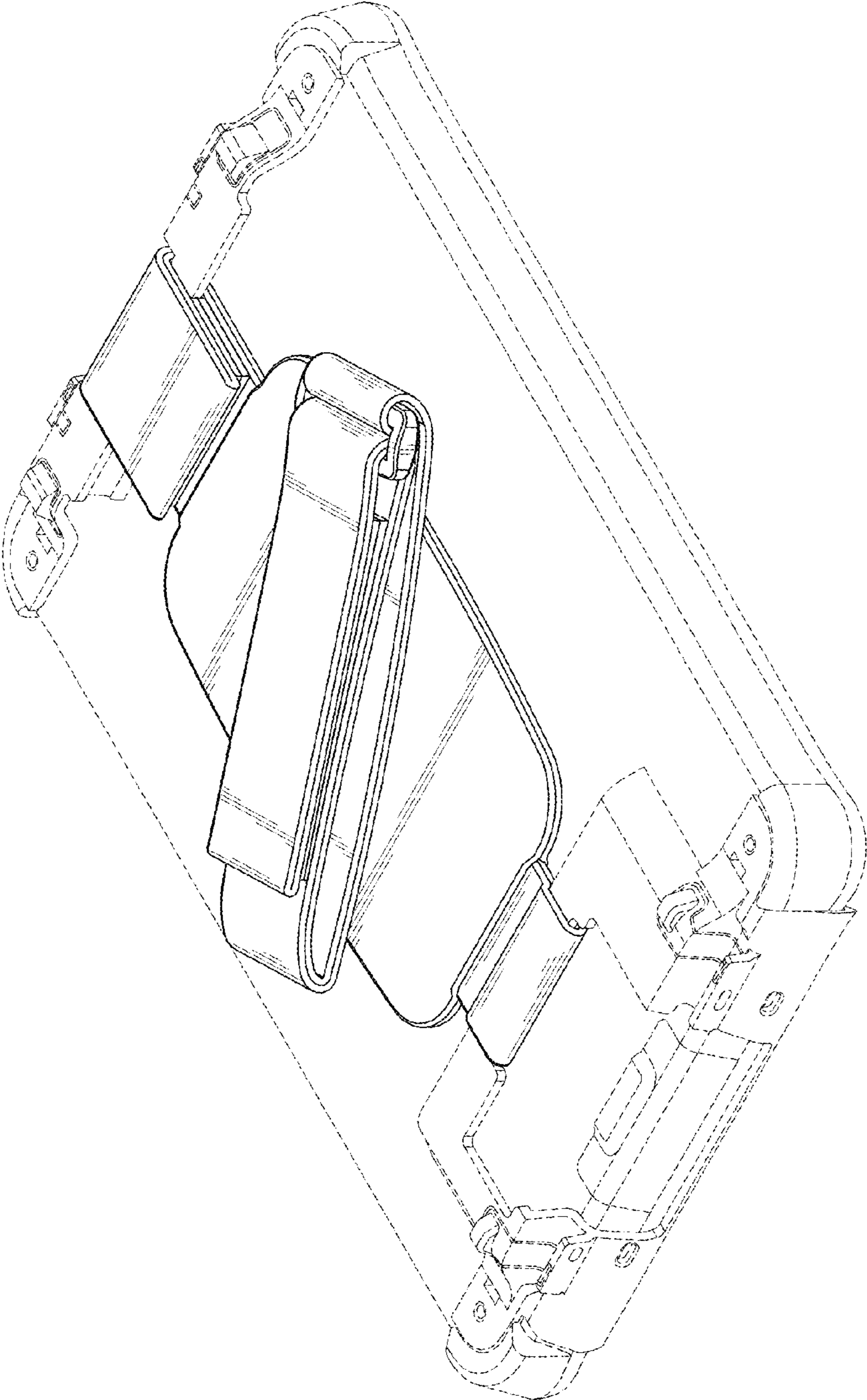


FIG. 21

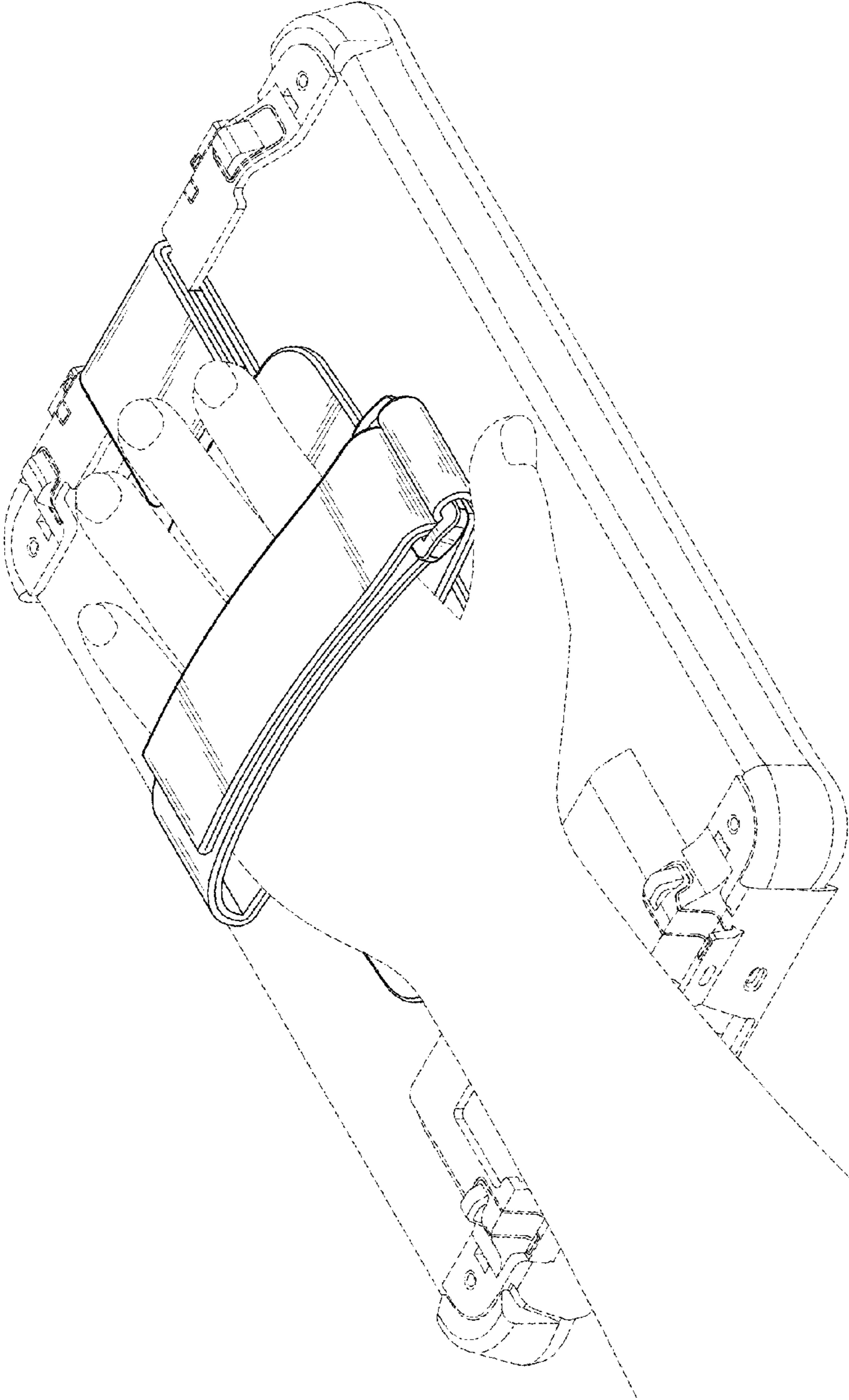


FIG. 22