



US00D743408S

(12) **United States Design Patent**  
**Chen**

(10) **Patent No.:** **US D743,408 S**  
(45) **Date of Patent:** **\*\* Nov. 17, 2015**

- (54) **HOLDING STRUCTURE OF MOBILE DEVICE**
- (71) Applicant: **GETAC TECHNOLOGY CORPORATION**, Hsinchu County (TW)
- (72) Inventor: **Ying-Chun Chen**, Taipei (TW)
- (73) Assignee: **Getac Technology Corporation**, Hsinchu County (TW)
- (\*\*) Term: **14 Years**
- (21) Appl. No.: **29/486,830**
- (22) Filed: **Apr. 2, 2014**
- (51) **LOC (10) Cl.** ..... **08-07**
- (52) **U.S. Cl.**  
USPC ..... **D14/447**
- (58) **Field of Classification Search**  
USPC ..... D14/447, 432, 434, 439, 440, 451, 452, D14/457, 239; D12/415; D6/406.3, 406.4, D6/406.5, 406.6; D8/363, 373, 380  
CPC ..... F16M 2200/00; F16M 13/00; A45C 2011/003; A45C 2011/002; A47B 2023/049; A47B 2097/005; A47B 2097/006; A47B 21/04  
See application file for complete search history.

(56) **References Cited**

**U.S. PATENT DOCUMENTS**

D473,548 S	*	4/2003	Tanaka	.....	D14/242
D584,733 S	*	1/2009	Dearborn et al.	.....	D14/439
D651,214 S	*	12/2011	Yoo et al.	.....	D14/448

(Continued)

*Primary Examiner* — Angela J Lee

(57) **CLAIM**

The ornamental design for a holding structure of mobile device, as shown and described.

**DESCRIPTION**

FIG. 1 is a perspective view of a first embodiment of my/our new design;

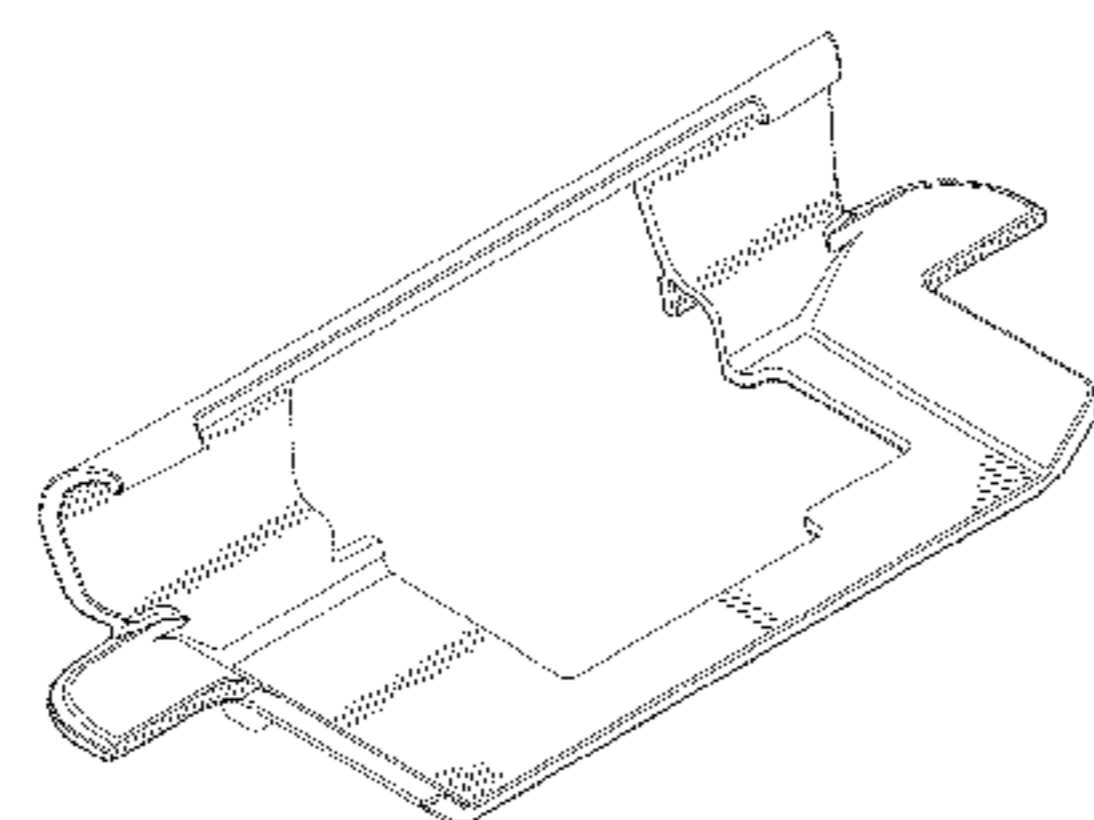


FIG. 2 is a front view of the first embodiment of my/our new design;

FIG. 3 is a back view of the first embodiment of my/our new design;

FIG. 4 is a left side view of the first embodiment of my/our new design;

FIG. 5 is a right side view of the first embodiment of my/our new design;

FIG. 6 is a top view of the first embodiment of my/our new design;

FIG. 7 is a bottom side view of the first embodiment of my/our new design;

FIG. 8 is another perspective view of the first embodiment of my/our new design, showing the status while in use;

FIG. 9 is another perspective view of the first embodiment of my/our new design, showing the status while in use;

FIG. 10 is a perspective view of a second embodiment of my/our new design;

FIG. 11 is a front view of the second embodiment of my/our new design;

FIG. 12 is a back view of the second embodiment of my/our new design;

FIG. 13 is a left side view of the second embodiment of my/our new design;

FIG. 14 is a right side view of the second embodiment of my/our new design;

FIG. 15 is a top view of the second embodiment of my/our new design;

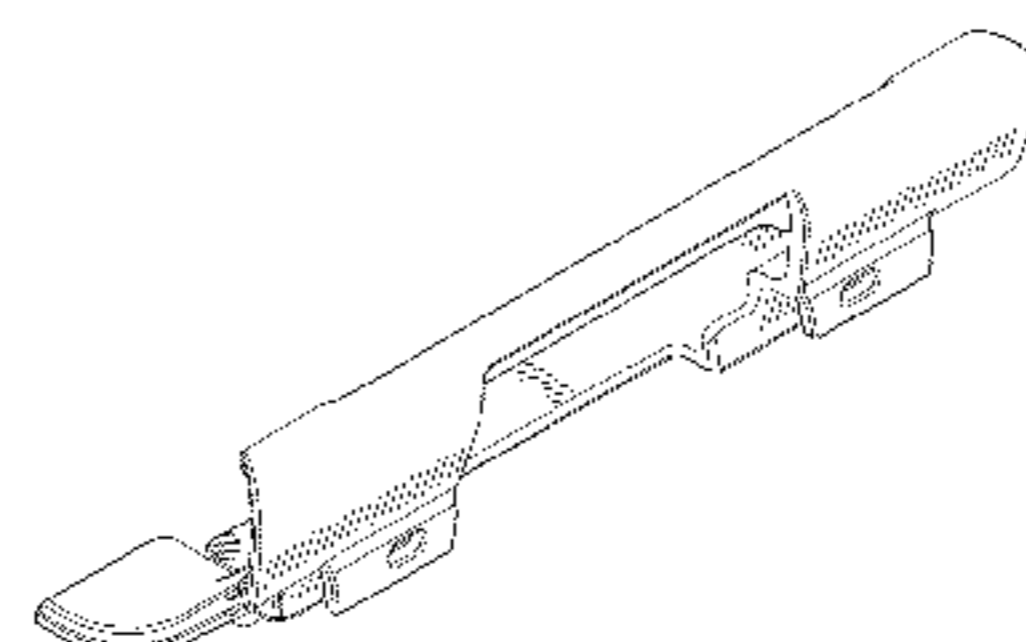
FIG. 16 is a bottom side view of the second embodiment of my/our new design;

FIG. 17 is another perspective view of the second embodiment of my/our new design, showing the status while in use;

FIG. 18 is another perspective view of the second embodiment of my/our new design, showing the status while in use; and,

FIG. 19 is another perspective view of the second embodiment of my/our new design, showing the status while in use. The broken lines shown in the drawings are for the purpose of illustrating environmental structure and form no part of the claimed design.

**1 Claim, 19 Drawing Sheets**



(56)

**References Cited**

U.S. PATENT DOCUMENTS

D669,482 S \* 10/2012 Hu et al. .... D14/447  
D673,032 S \* 12/2012 Tak et al. .... D8/395  
D674,395 S \* 1/2013 Haarburger .... D14/447  
D676,851 S \* 2/2013 Finnegan et al. .... D14/440

D687,442 S \* 8/2013 Nishimura ..... D14/447  
D707,233 S \* 6/2014 Sirichai ..... D14/447  
D721,711 S \* 1/2015 Chen ..... D14/447  
D721,713 S \* 1/2015 Ko ..... D14/451  
D730,350 S \* 5/2015 Lee et al. .... D14/358  
2014/0054337 A1 \* 2/2014 Nakatani et al. .... 224/267

\* cited by examiner

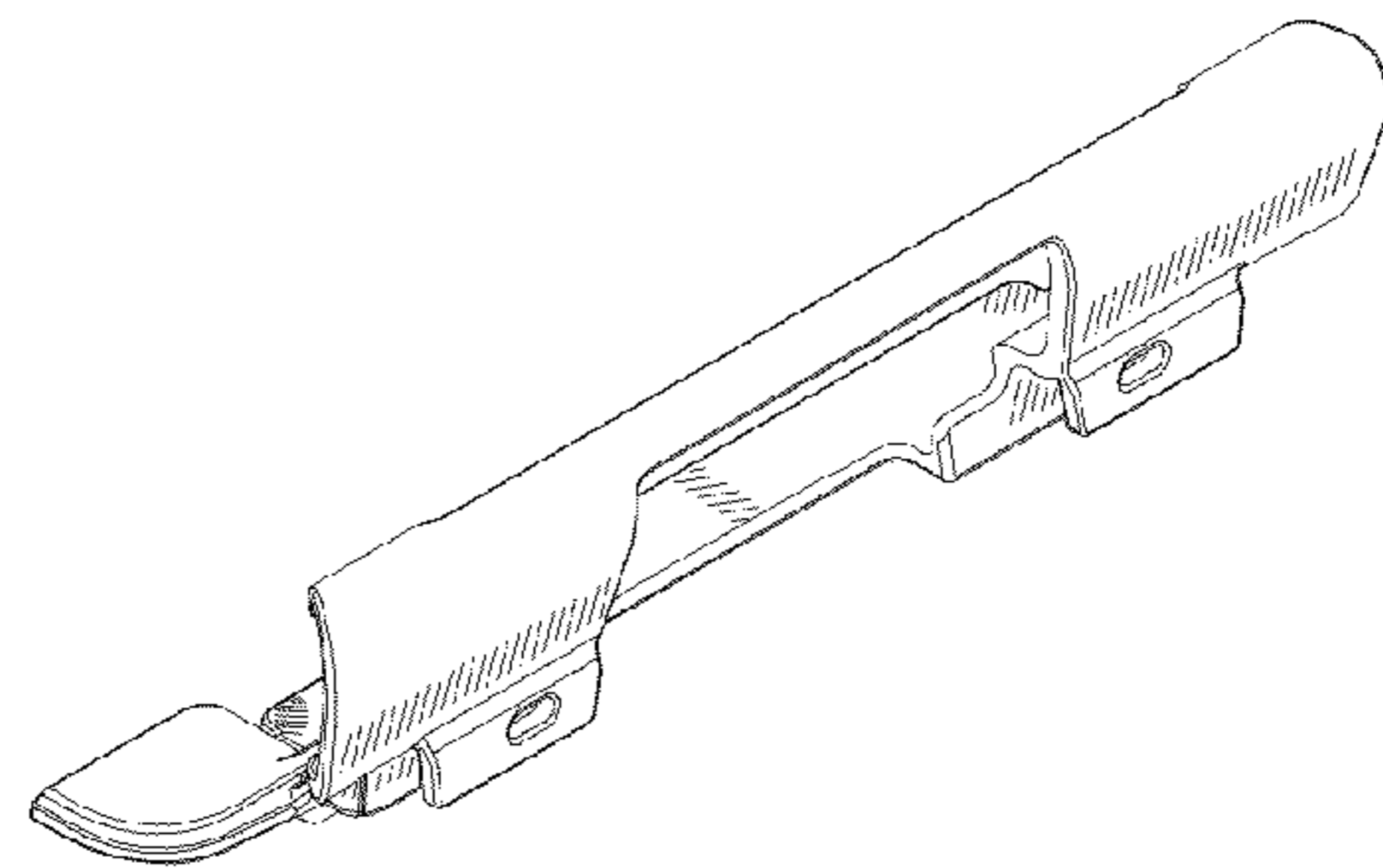
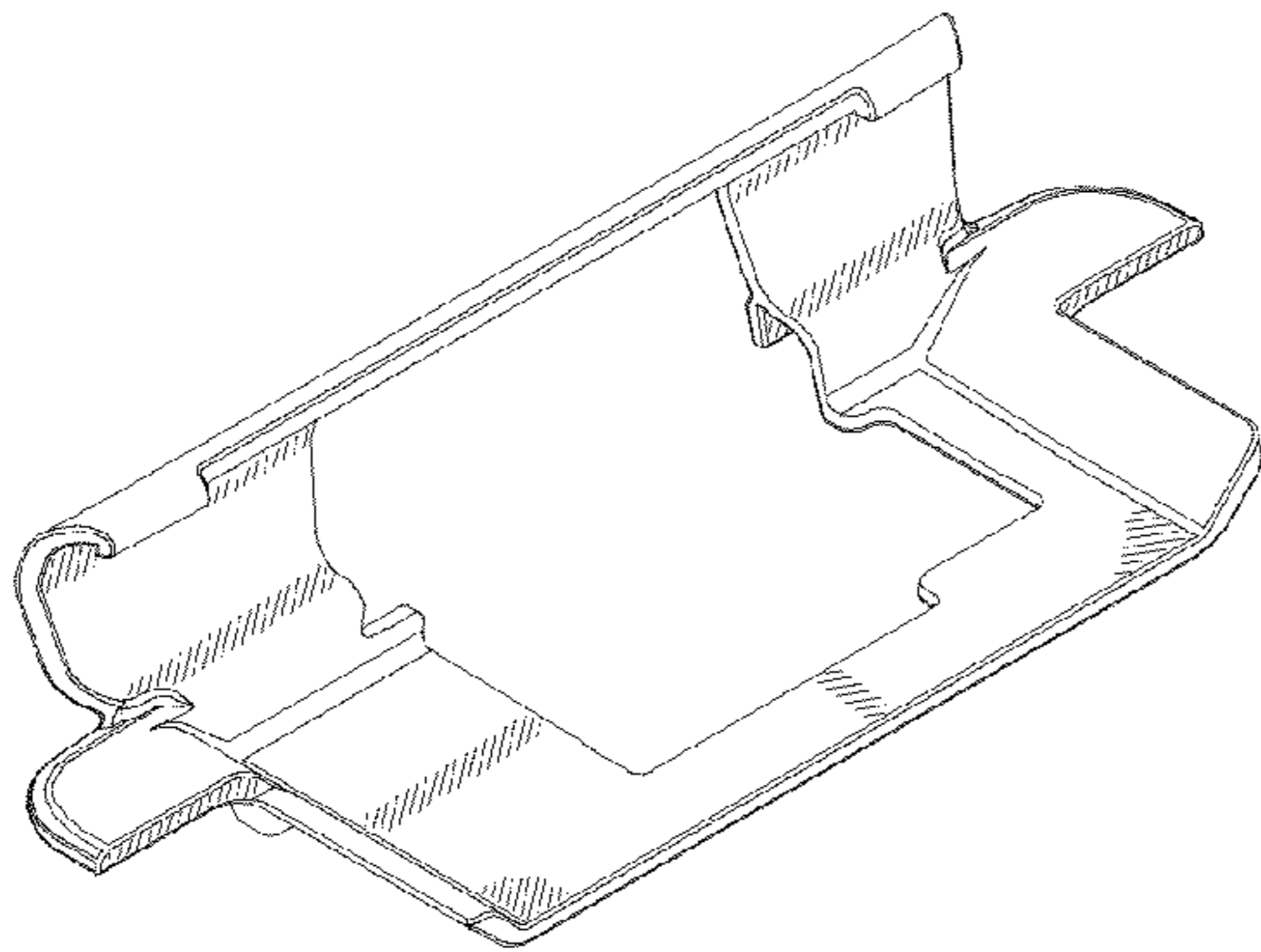


FIG.1

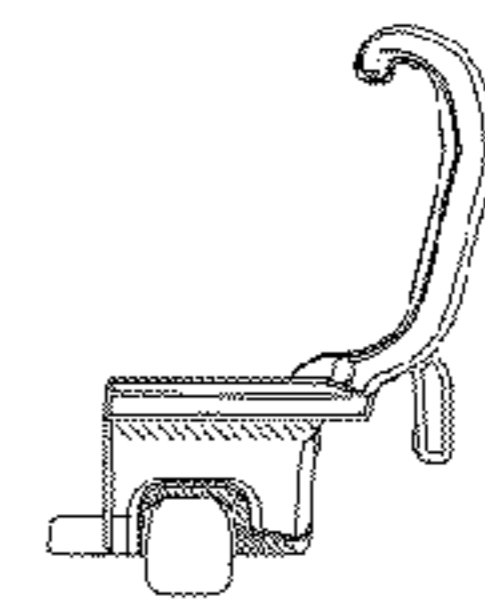
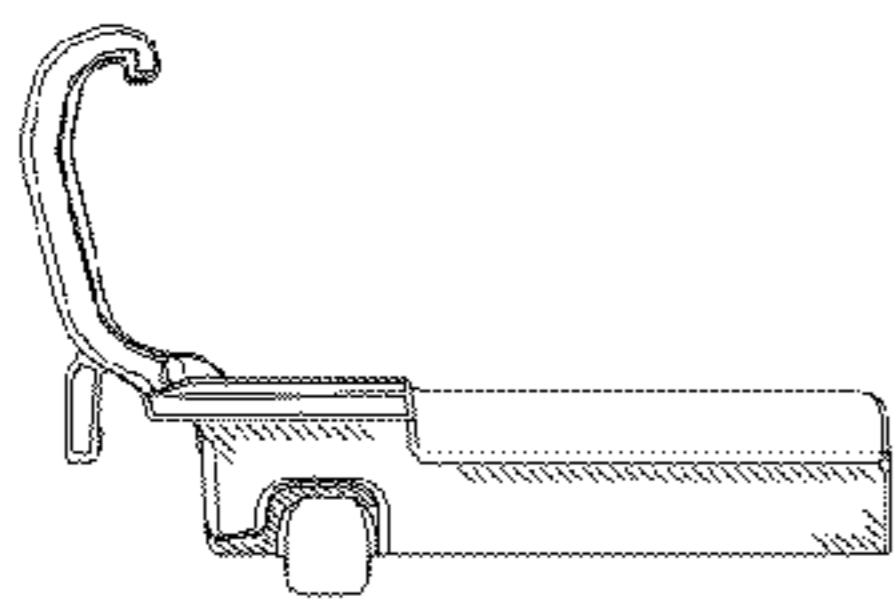


FIG.2

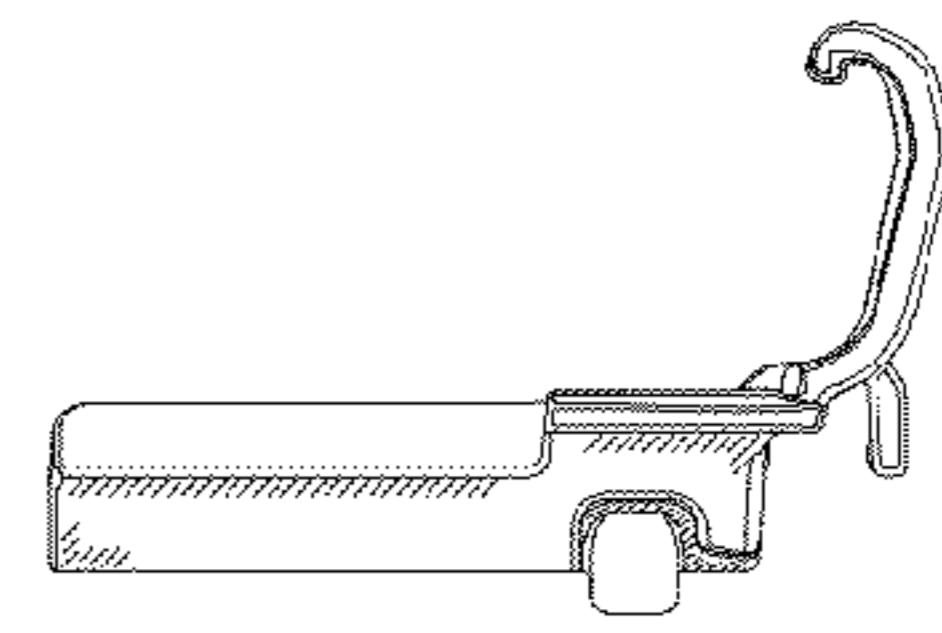
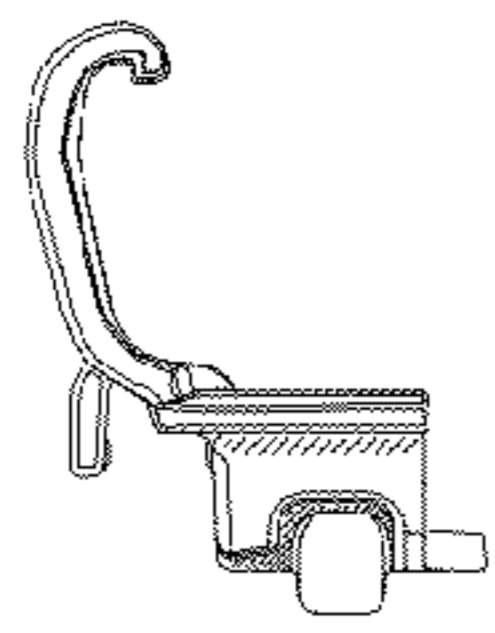


FIG.3

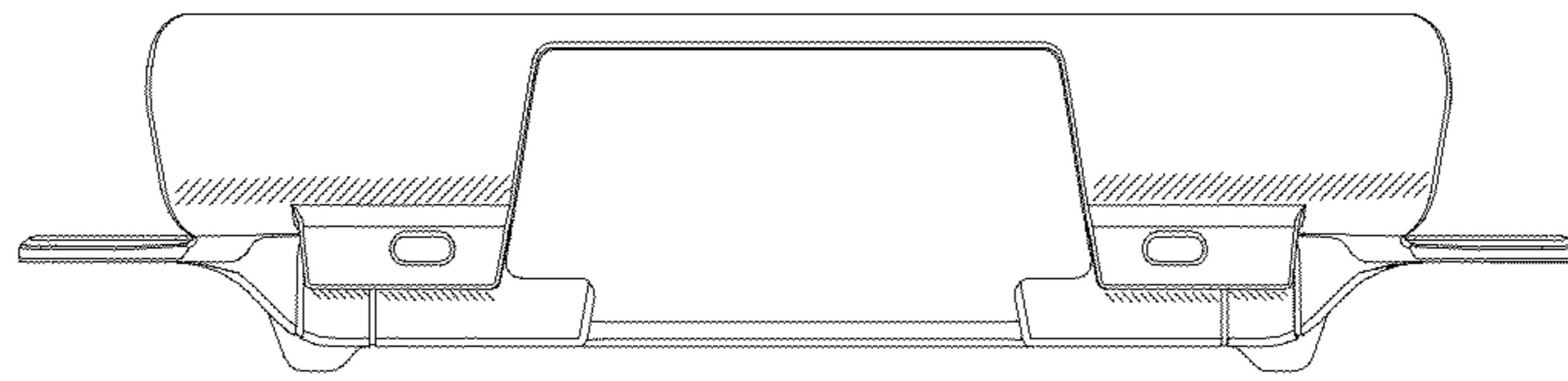


FIG.4

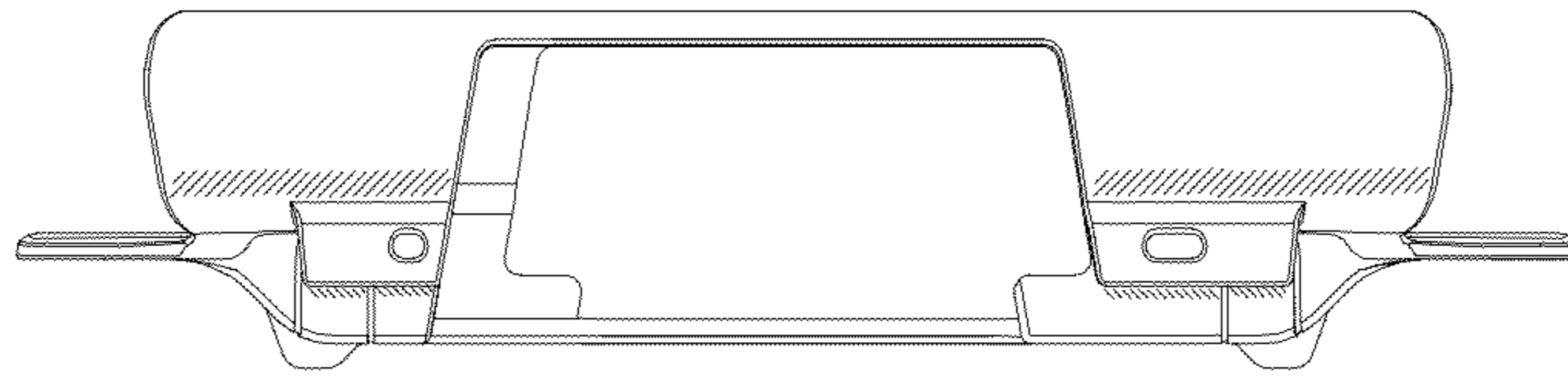


FIG.5

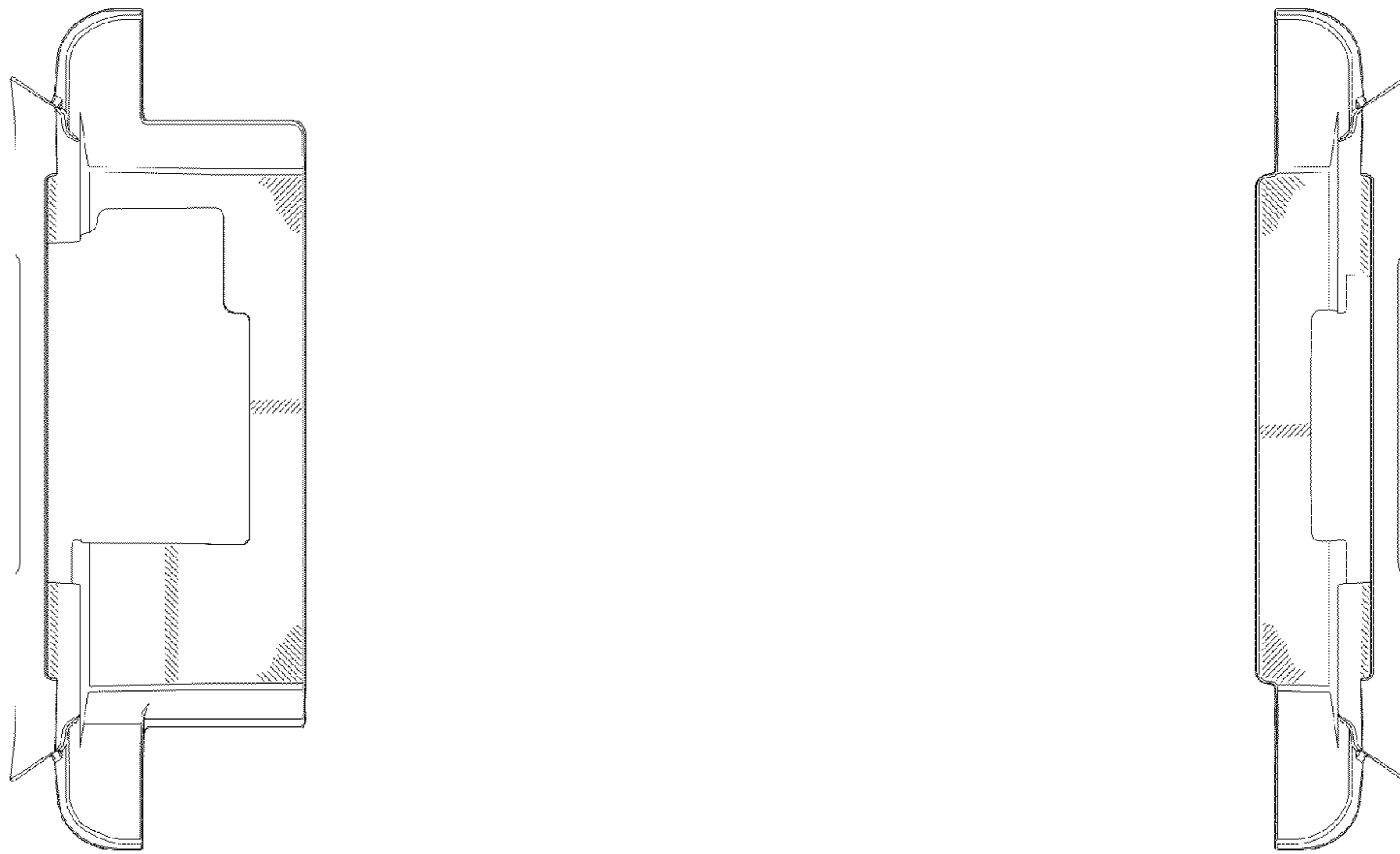


FIG.6





FIG.7

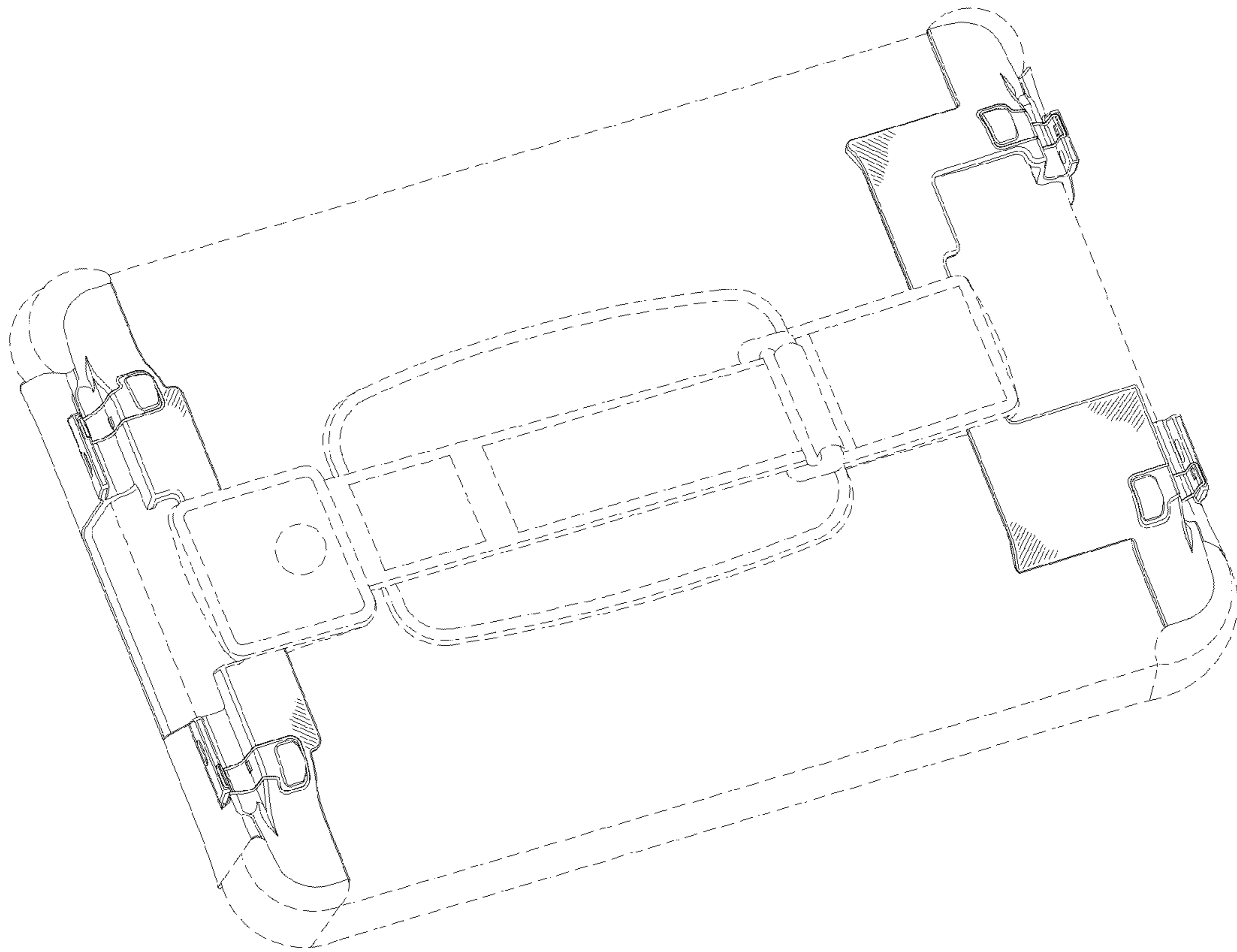


FIG.8

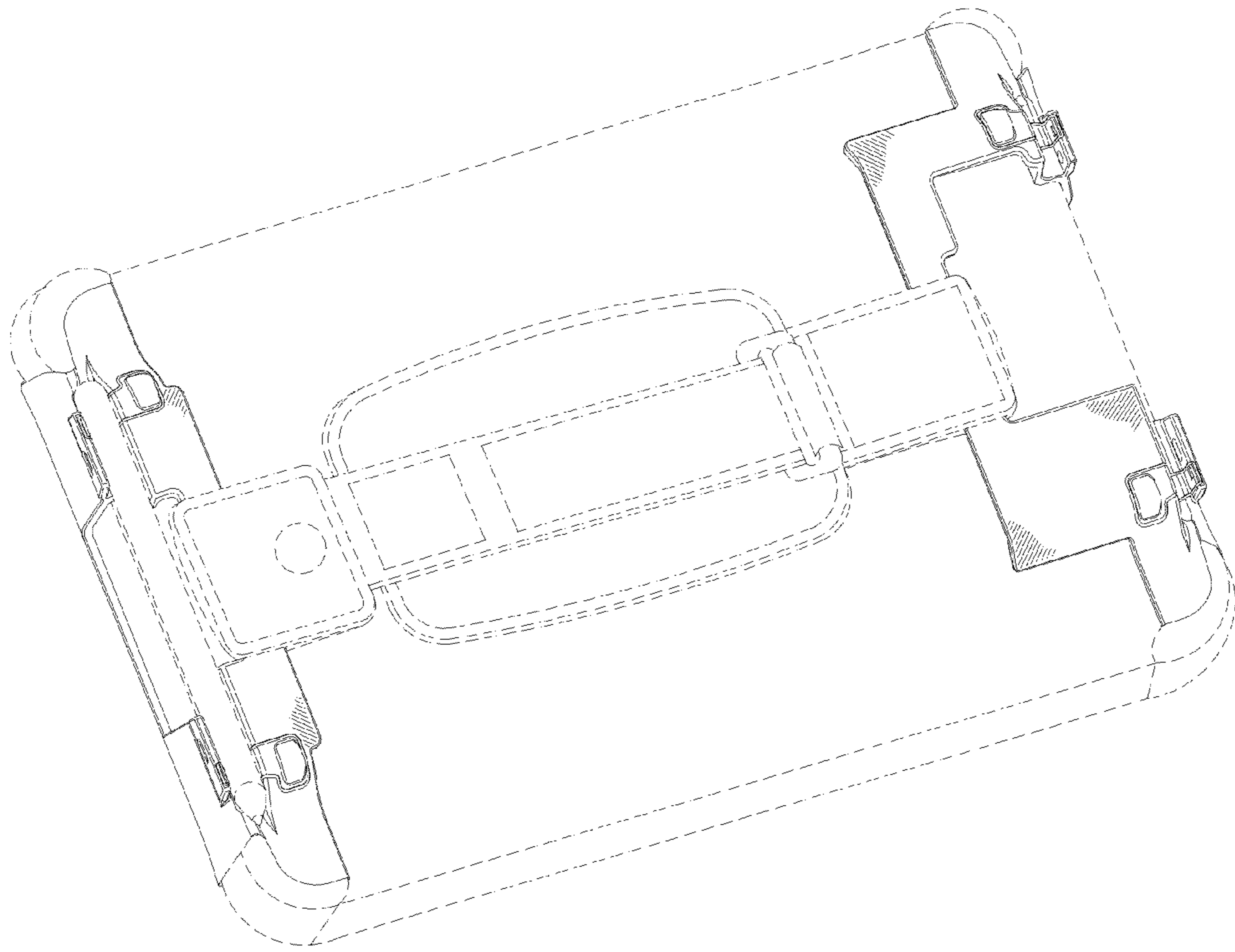


FIG.9

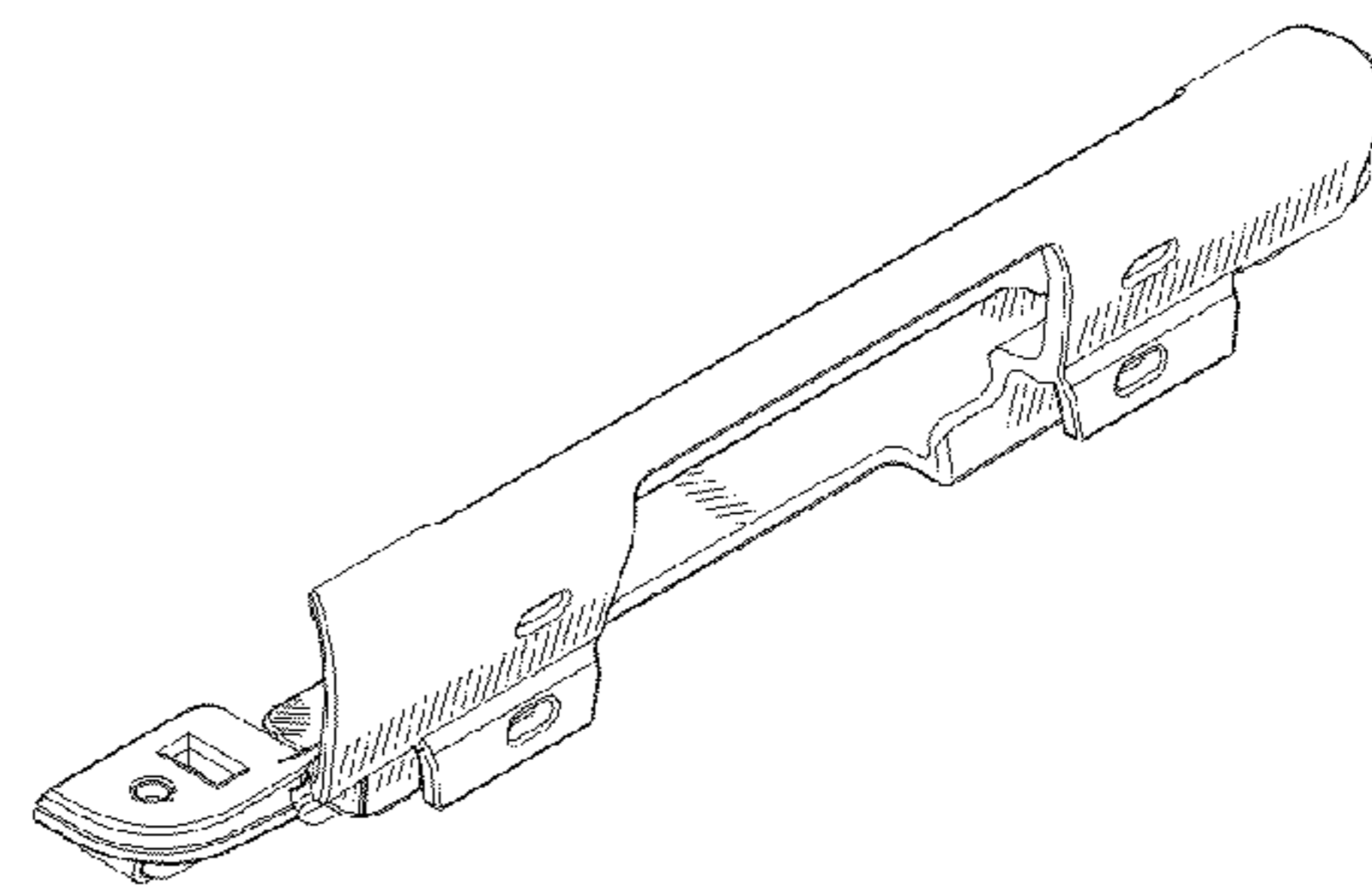
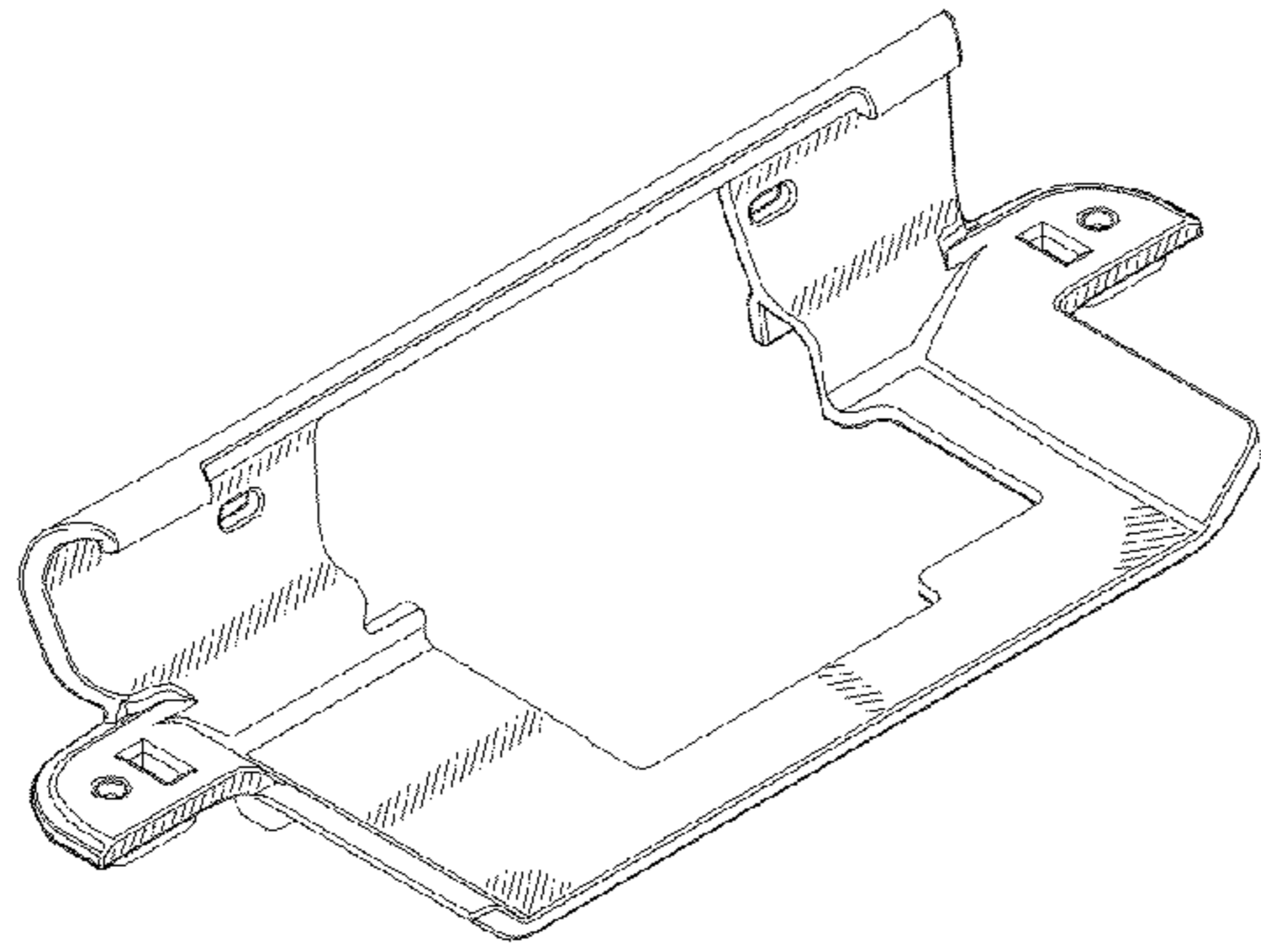


FIG.10

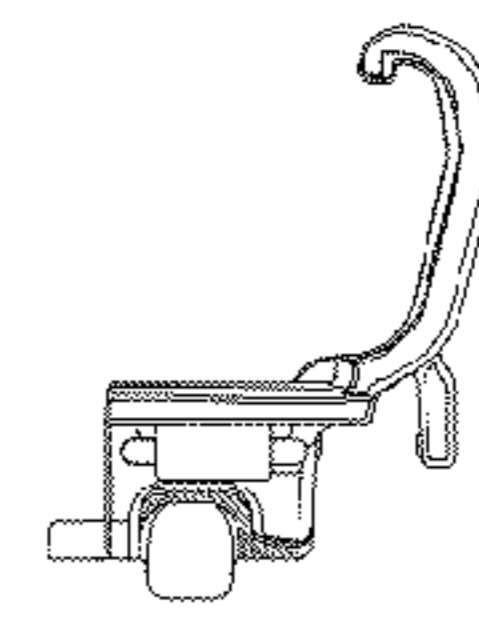
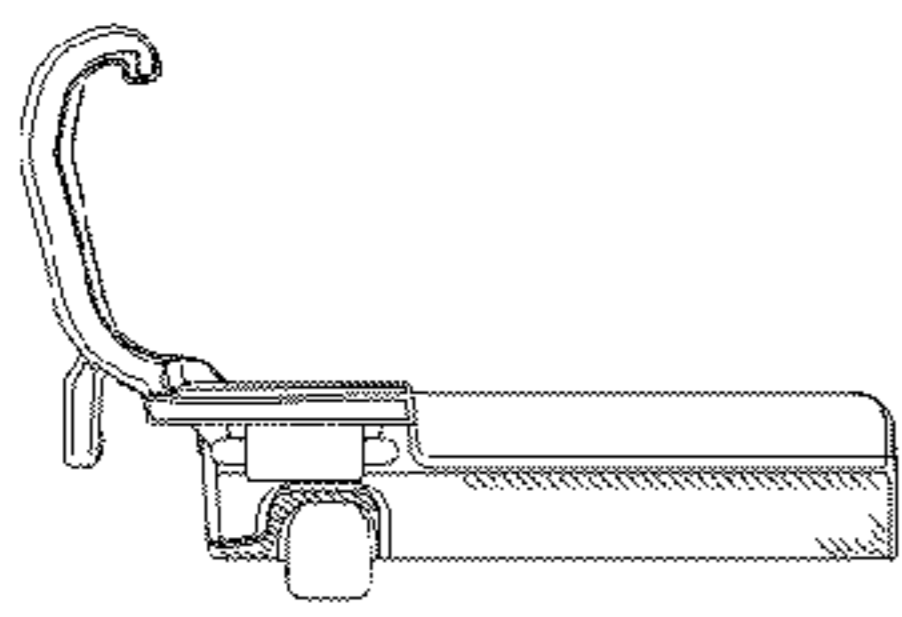


FIG.11

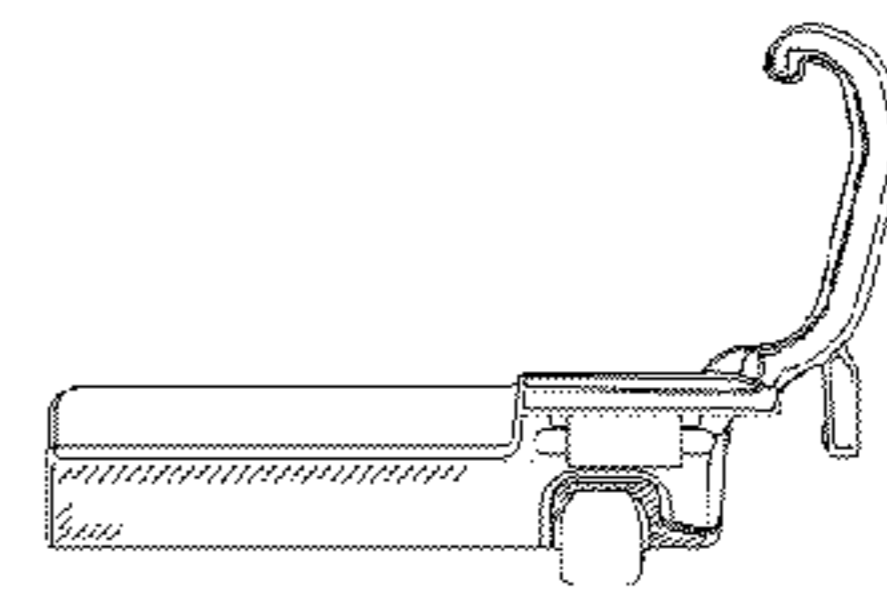
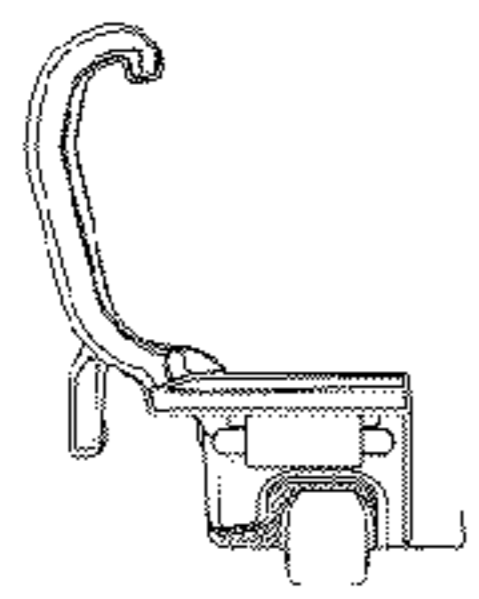


FIG.12

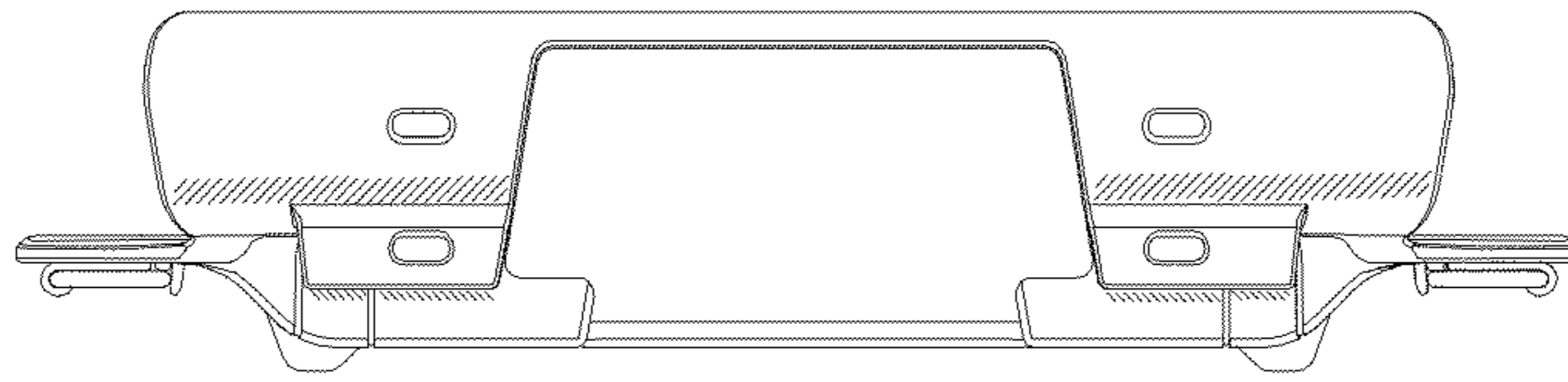


FIG.13

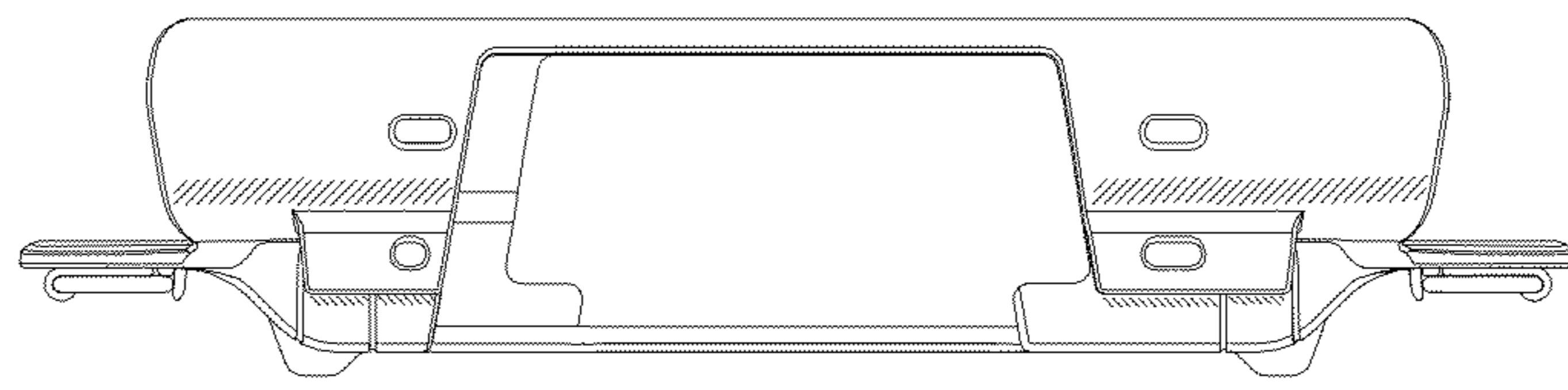


FIG.14





FIG.15

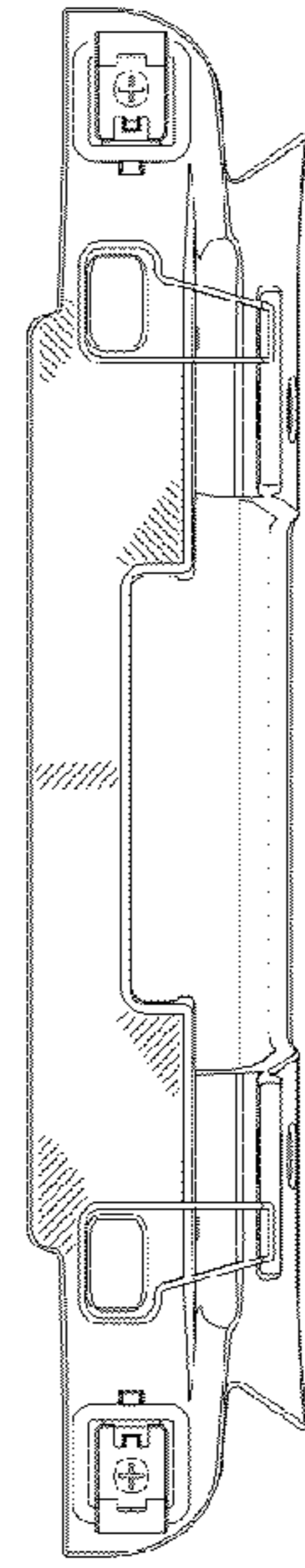
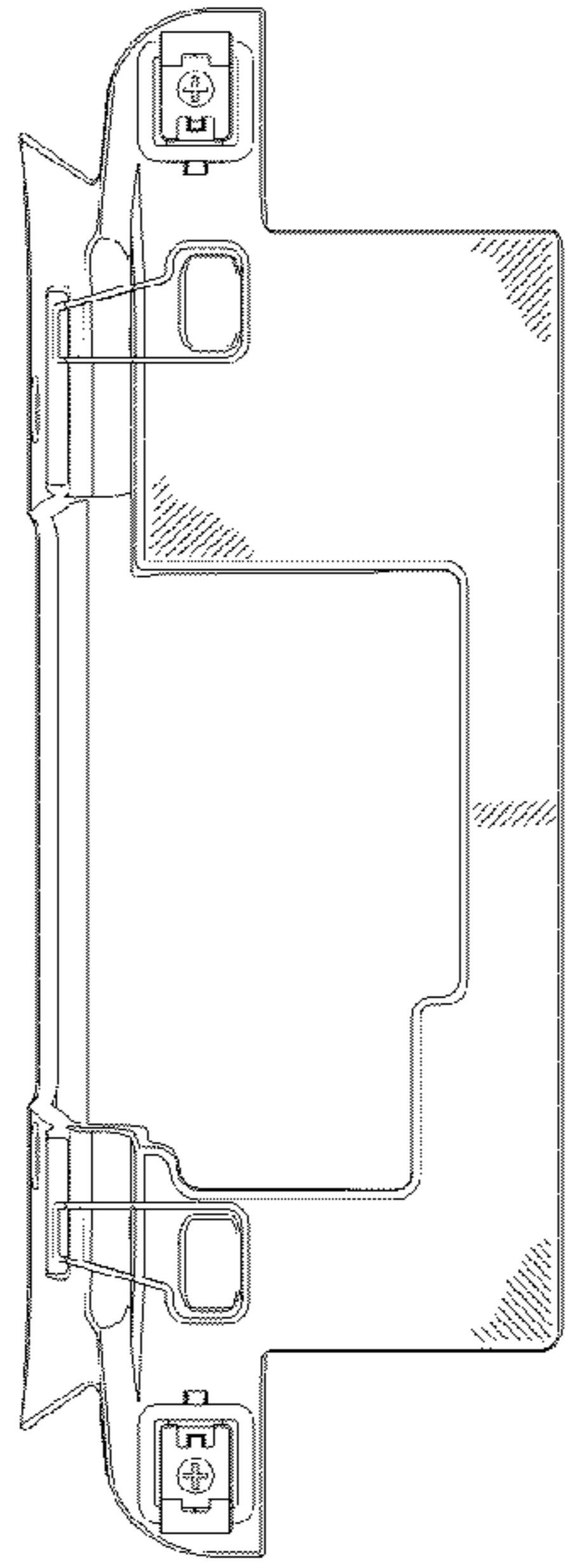


FIG.16

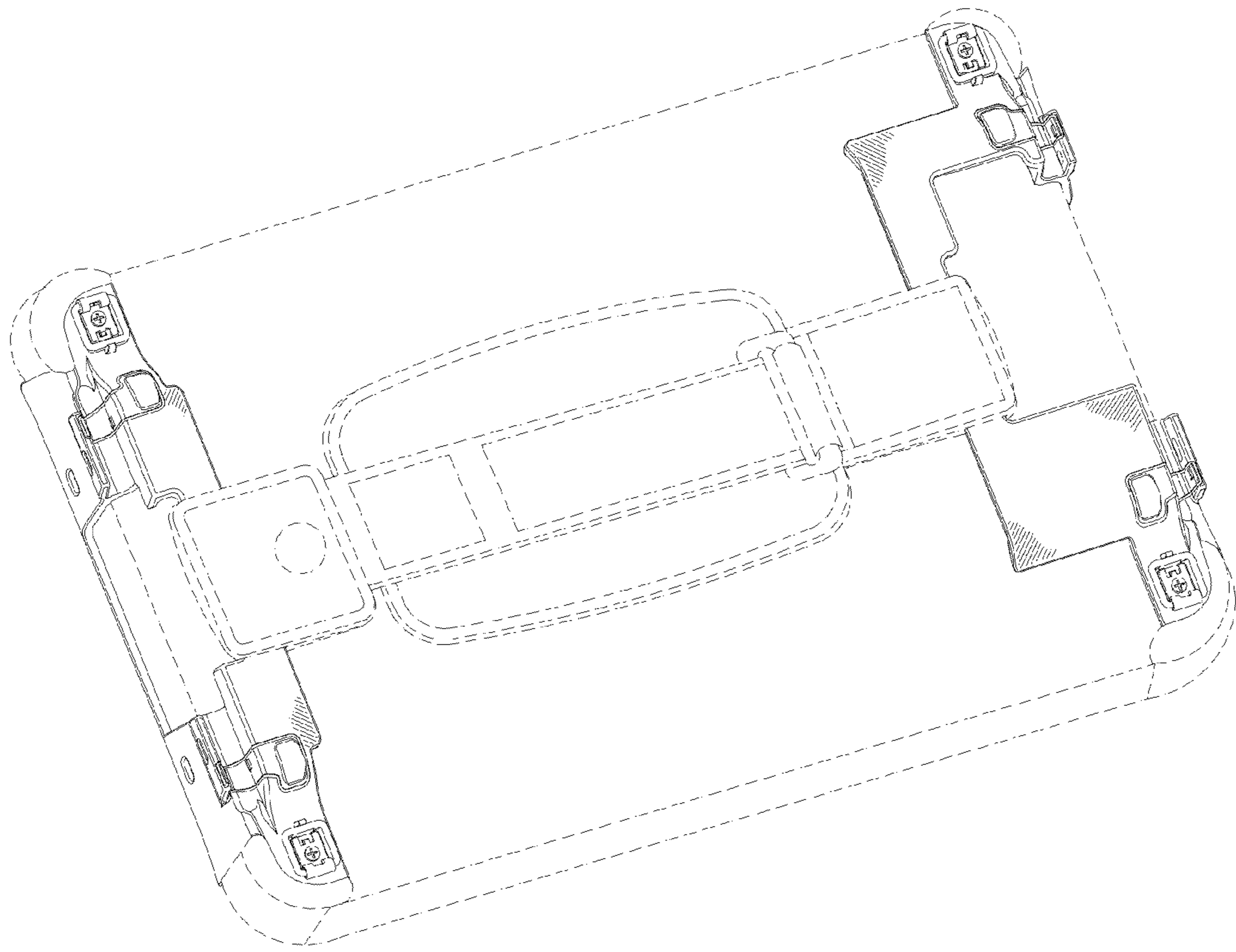


FIG.17

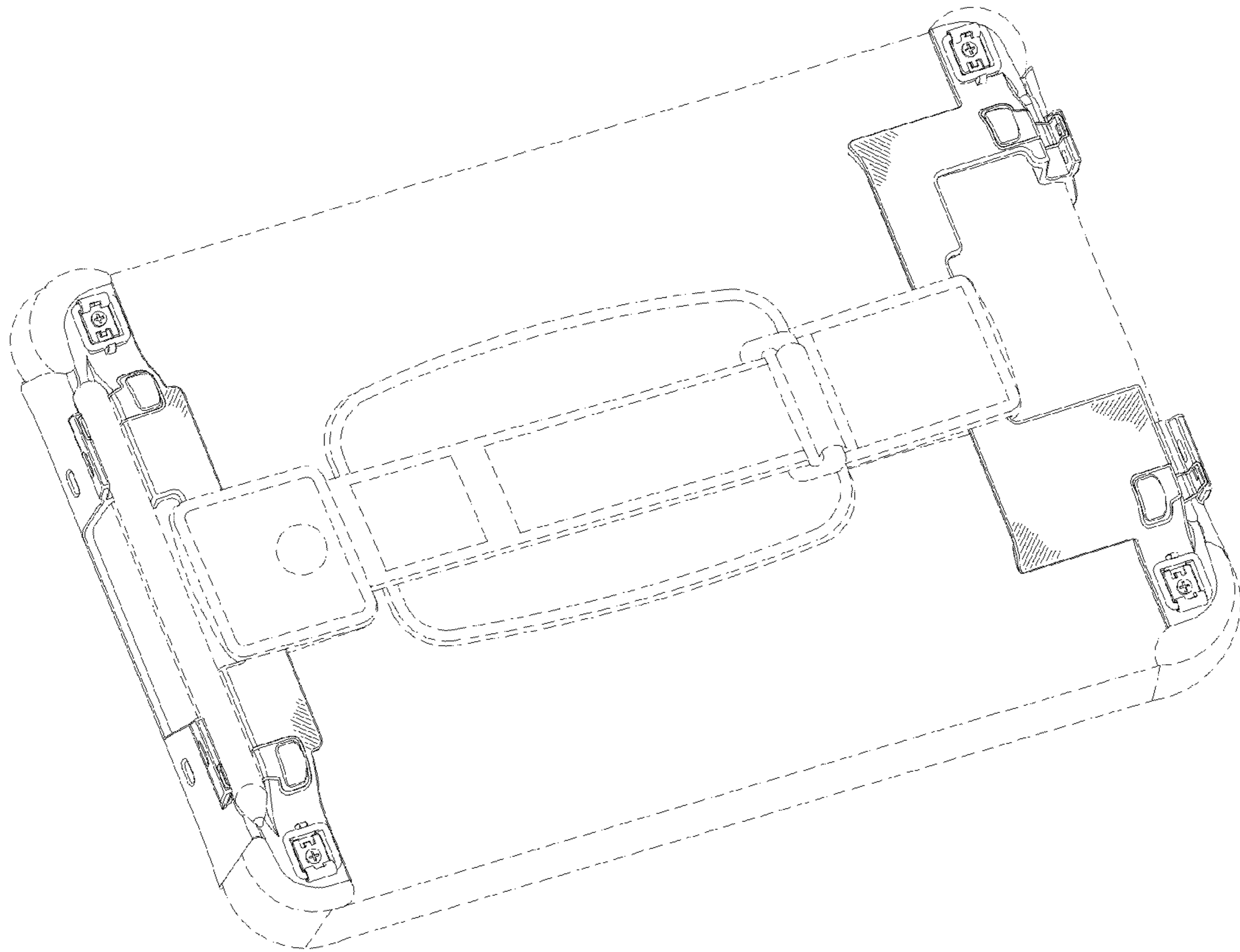


FIG.18

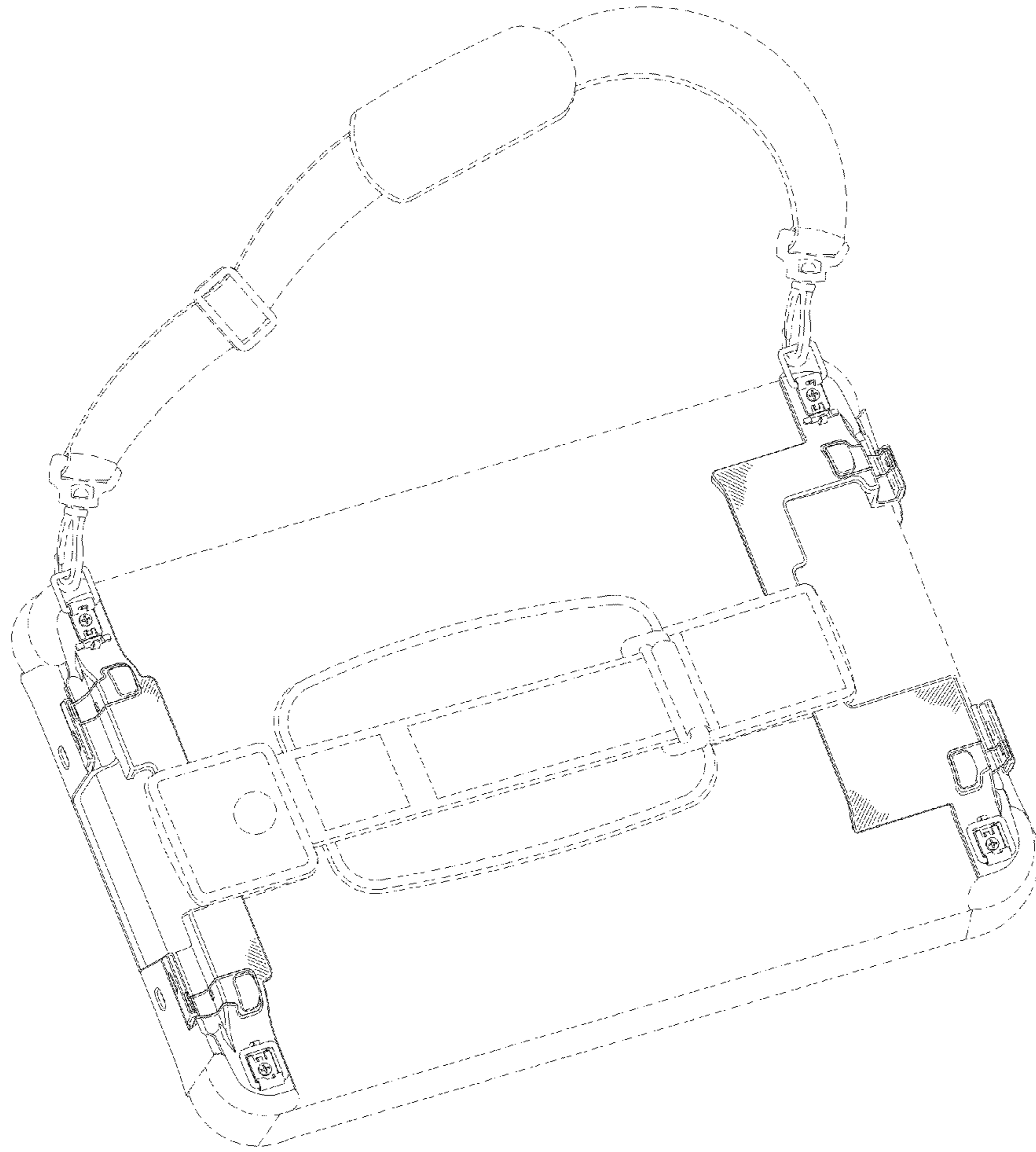


FIG.19