



US00D743407S

(12) **United States Design Patent**  
**Lin**

(10) **Patent No.:** **US D743,407 S**  
(45) **Date of Patent:** **\*\* Nov. 17, 2015**

(54) **COMBINATION OF INPUT DEVICE AND PROTECTIVE COVER**

(71) Applicant: **OZAKI INTERNATIONAL CO., LTD**, New Taipei (TW)

(72) Inventor: **Chang-Hsi Lin**, New Taipei (TW)

(73) Assignee: **OZAKI INTERNATIONAL CO. LTD.**, New Taipei (TW)

(\*\*) Term: **14 Years**

(21) Appl. No.: **29/507,959**

(22) Filed: **Oct. 31, 2014**

(30) **Foreign Application Priority Data**

Jul. 11, 2014 (TW) ..... 103212373

(51) **LOC (10) Cl.** ..... **14-02**

(52) **U.S. Cl.**  
USPC ..... **D14/440**

(58) **Field of Classification Search**  
USPC ..... D3/218, 215, 201, 294, 289, 900, 318;  
D14/432, 440, 454, 402, 250;  
428/40.1; 200/302.1  
CPC ... G06F 1/1601; G06F 1/1626; G06F 1/1633;  
G06F 1/1675; G06F 1/1679; G02F 1/1306;  
G02F 1/133; G02F 1/33308; G02F 1/153;  
G02F 1/1533; G02F 2001/133317; H04M  
1/185; H04M 1/0252; H04B 1/3888; A45C  
1/06; A45C 3/08  
See application file for complete search history.

(56) **References Cited**

**U.S. PATENT DOCUMENTS**

D639,296 S \* 6/2011 Tseng ..... D14/345  
D653,665 S \* 2/2012 Maruyama ..... D14/392  
D672,353 S \* 12/2012 Liu ..... D14/440  
D675,625 S \* 2/2013 Hasbrook ..... D14/440  
D678,272 S \* 3/2013 Groene ..... D14/341  
D682,839 S \* 5/2013 Sampson ..... D14/447

D689,497 S \* 9/2013 Park ..... D14/434  
D689,501 S \* 9/2013 Fong ..... D14/447  
D692,432 S \* 10/2013 Liu ..... D14/440  
D697,508 S \* 1/2014 Hsu ..... D14/345  
D700,186 S \* 2/2014 Feng ..... D14/447  
D701,210 S \* 3/2014 Bates ..... D14/440  
D701,214 S \* 3/2014 Gengler ..... D14/447  
D704,689 S \* 5/2014 Chang ..... D14/250  
D707,229 S \* 6/2014 Almodova ..... D14/440  
D708,838 S \* 7/2014 Lee ..... D14/440  
8,766,921 B2 \* 7/2014 Ballagas ..... G06F 1/1626  
345/168  
8,773,353 B2 \* 7/2014 Wei ..... G06F 1/1662  
345/156  
8,783,458 B2 \* 7/2014 Gallagher ..... F16M 11/105  
206/320  
8,797,132 B2 \* 8/2014 Childs ..... A45C 11/00  
206/320  
D719,169 S \* 12/2014 McBroom ..... D14/440  
D719,576 S \* 12/2014 Chen ..... D14/447

(Continued)

*Primary Examiner* — Cynthia Underwood

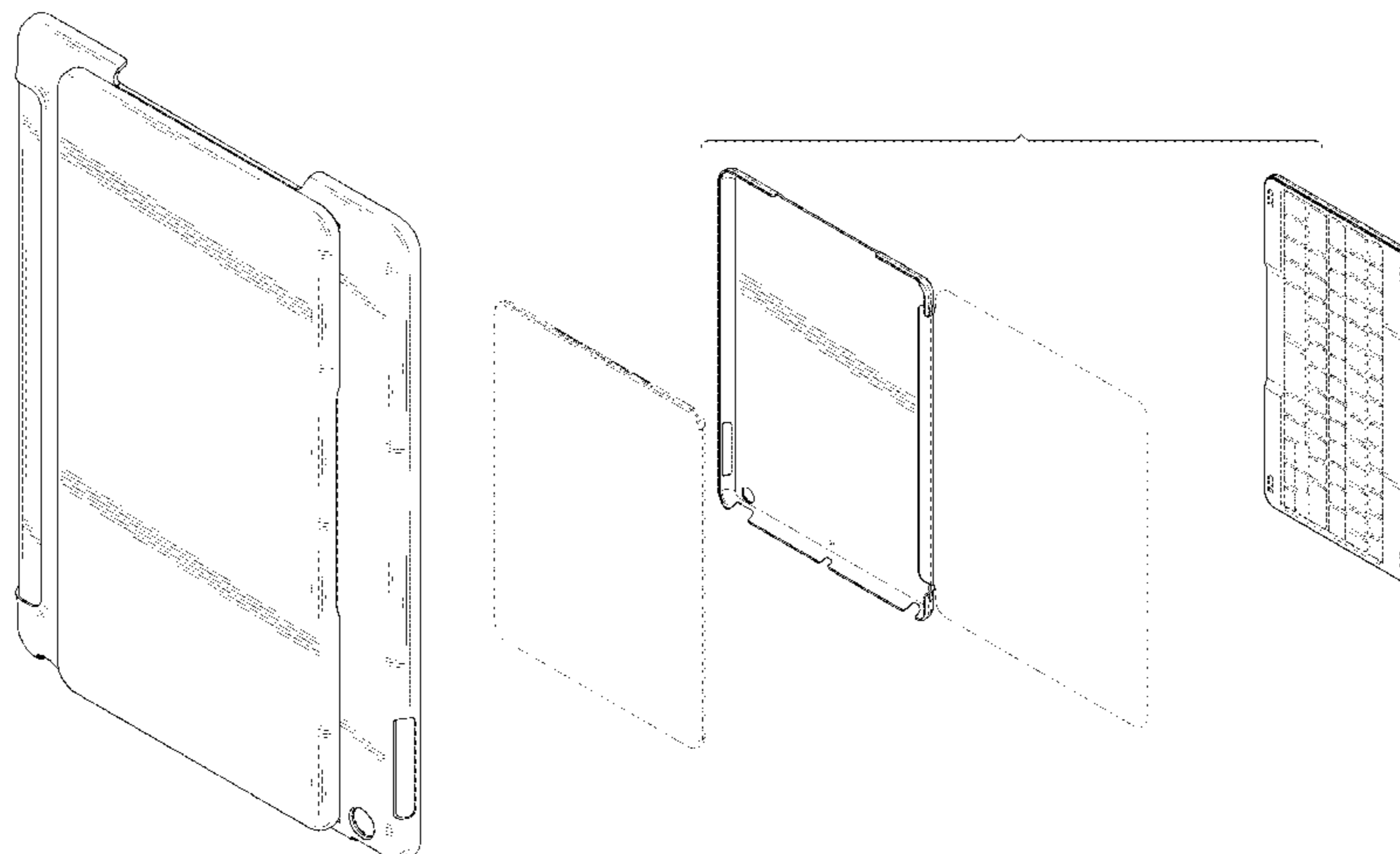
(57) **CLAIM**

The ornamental design for combination of input device and protective cover, as shown and described.

**DESCRIPTION**

FIG. 1 is a perspective view of the combination of input device and protective cover;  
FIG. 2 is a front view thereof;  
FIG. 3 is a rear view thereof;  
FIG. 4 is a left side view thereof;  
FIG. 5 is a right side view thereof;  
FIG. 6 is a top plane view thereof;  
FIG. 7 is a bottom plane view thereof;  
FIG. 8 is another perspective view thereof;  
FIG. 9 is a front perspective view thereof in an alternate configuration of use; and,  
FIG. 10 is a back perspective view thereof in an alternate configuration of use.  
The broken lines in the drawings depict environmental subject matter/or parts of the combination of input device and protective cover and form no part of the claimed design.

**1 Claim, 10 Drawing Sheets**



(56)

References Cited

U.S. PATENT DOCUMENTS

D723,569 S *	3/2015	Peng .....	D14/440	2012/0211377 A1 *	8/2012	Sajid .....	G06F 1/1628	345/173
D725,118 S *	3/2015	Hong .....	D14/440				206/216	
D729,256 S *	5/2015	Feng .....	D14/447	2012/0211613 A1 *	8/2012	Yang .....	A45C 11/00	248/174
9,033,147 B2 *	5/2015	Lee .....	A45C 11/00	2012/0305413 A1 *	12/2012	Chung .....	A45C 11/00	206/45.23
			206/320	2012/0308981 A1 *	12/2012	Libin .....	G09B 3/00	434/362
D734,340 S *	7/2015	Kim .....	D14/440	2013/0015088 A1 *	1/2013	Wu .....	A45C 11/00	206/320
9,110,630 B2 *	8/2015	Cakir .....	H04B 1/3888	2013/0020216 A1 *	1/2013	Chiou .....	G06F 1/1626	206/320
D737,827 S *	9/2015	Tseng .....	D14/440	2013/0083465 A1 *	4/2013	Motoishi .....	G06F 1/1613	361/679.21
2004/0159762 A1 *	8/2004	Ghosh .....	G06F 1/16	2013/0140203 A1 *	6/2013	Chiang .....	G06F 1/1628	206/320
			248/351	2013/0170126 A1 *	7/2013	Lee .....	G06F 1/1654	361/679.17
2006/0211458 A1 *	9/2006	Pletikosa .....	G06F 1/1626	2013/0201625 A1 *	8/2013	Liang .....	G06F 1/1683	361/679.55
			455/575.3	2013/0213838 A1 *	8/2013	Tsai .....	G06F 1/1633	206/320
2009/0159763 A1 *	6/2009	Kim .....	F16M 13/00	2013/0214661 A1 *	8/2013	McBroom .....	G06F 1/1667	312/325
			248/174	2013/0241381 A1 *	9/2013	Hynecek .....	H05K 5/0217	312/240
2009/0201254 A1 *	8/2009	Rais .....	G06F 1/1613	2013/0264459 A1 *	10/2013	McCosh .....	G06F 1/1626	248/688
			345/168					
2011/0266194 A1 *	11/2011	Bau .....	A45C 11/00					
			206/736					
2011/0290687 A1 *	12/2011	Han .....	A45C 3/02					
			206/320					
2012/0008299 A1 *	1/2012	Gengler .....	G06F 1/1679					
			361/807					
2012/0106060 A1 *	5/2012	Probst .....	G06F 1/1616					
			361/679.09					
2012/0140396 A1 *	6/2012	Zeliff .....	G06F 1/1628					
			361/679.09					
2012/0194448 A1 *	8/2012	Rothkopf .....	A45C 13/002					

\* cited by examiner

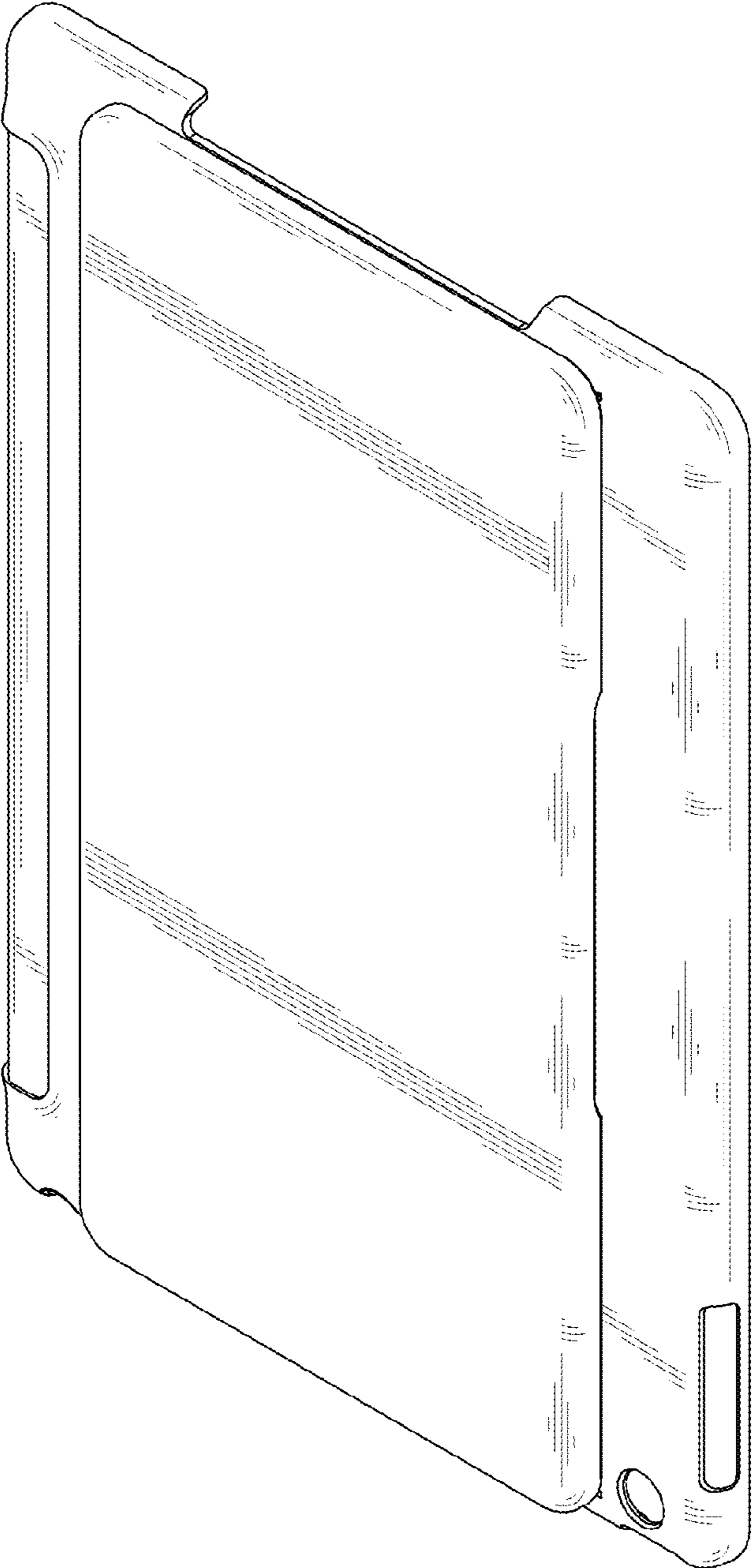


FIG. 1

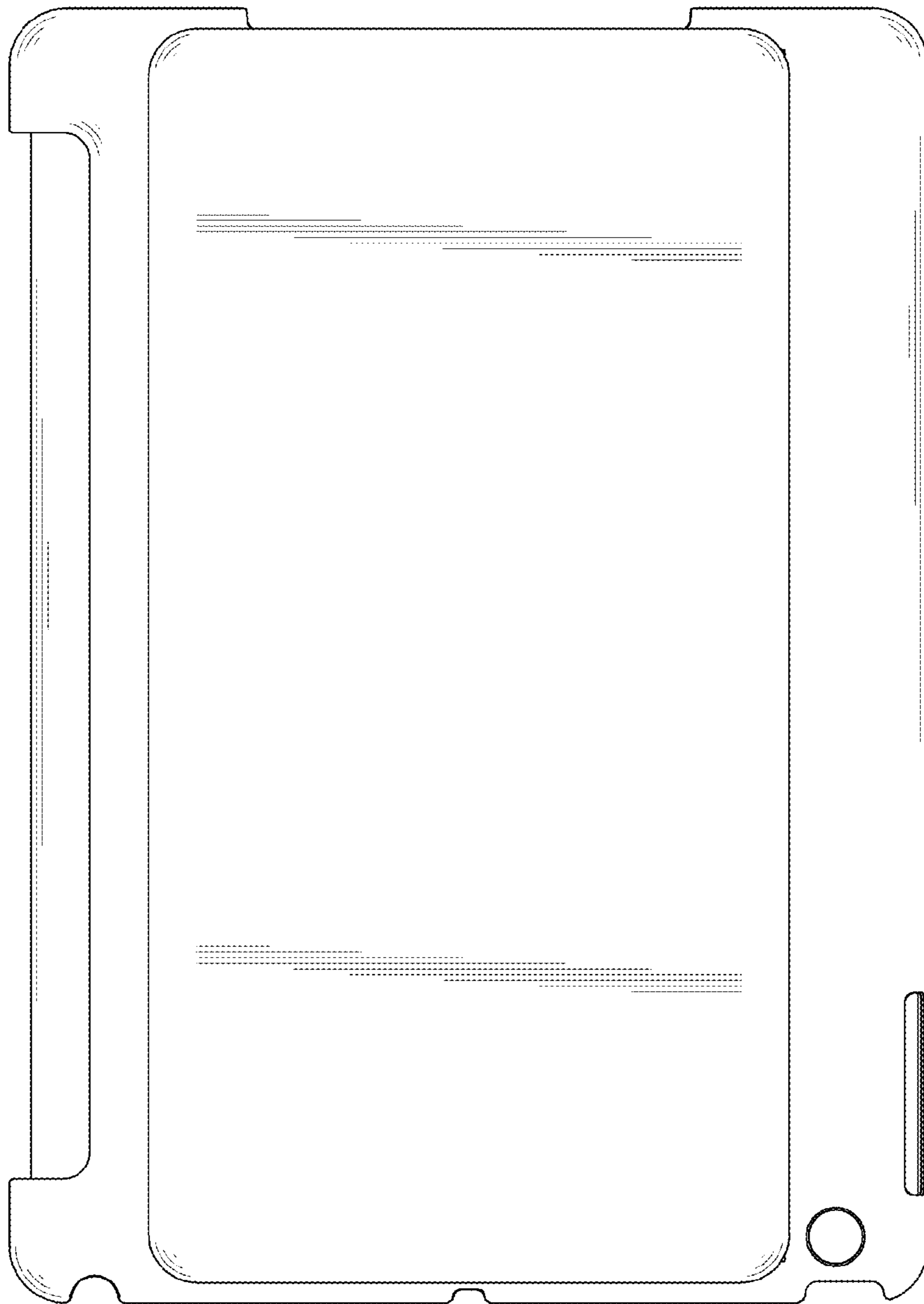
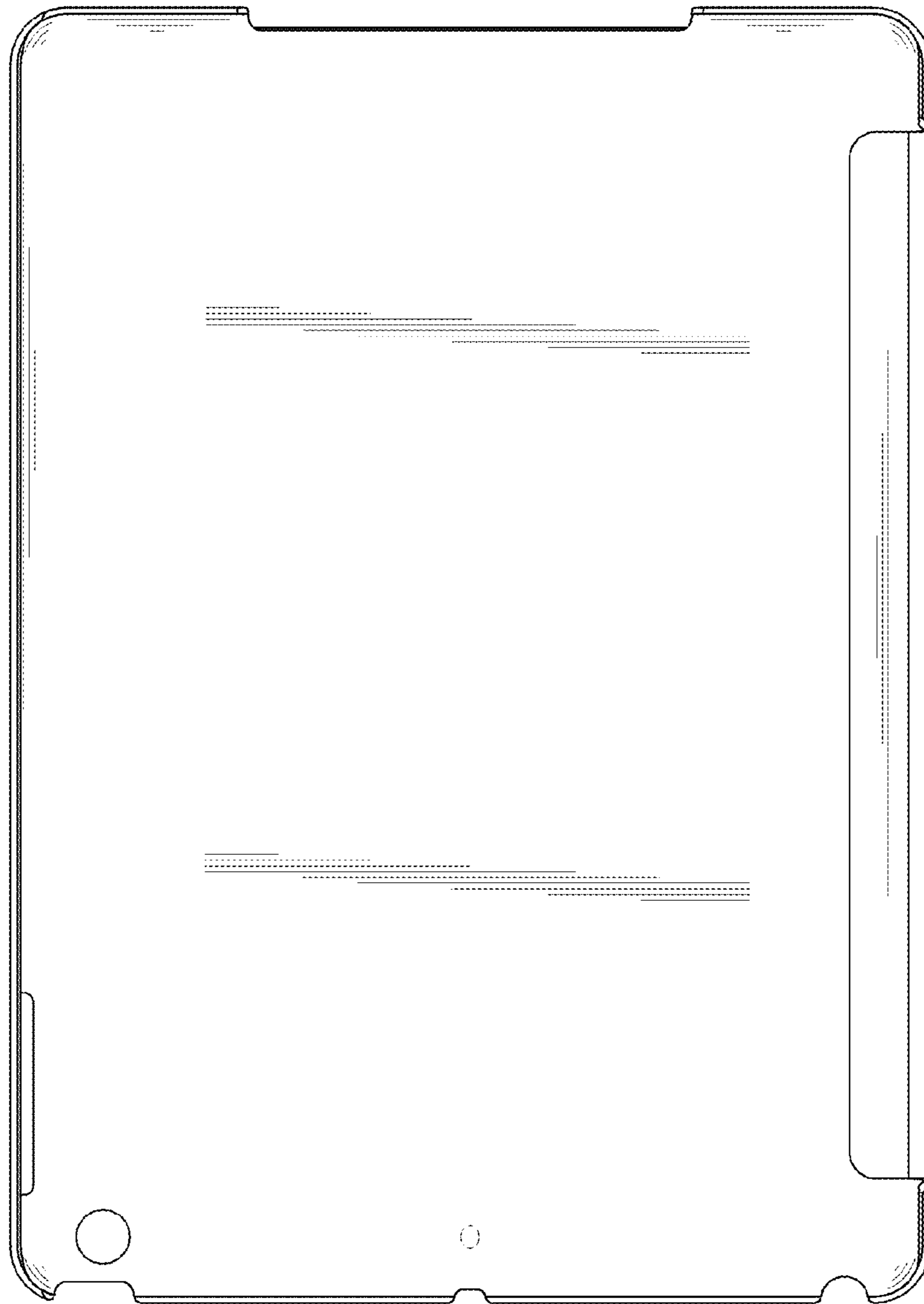
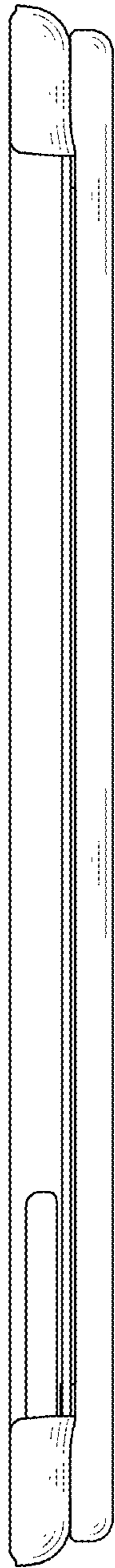


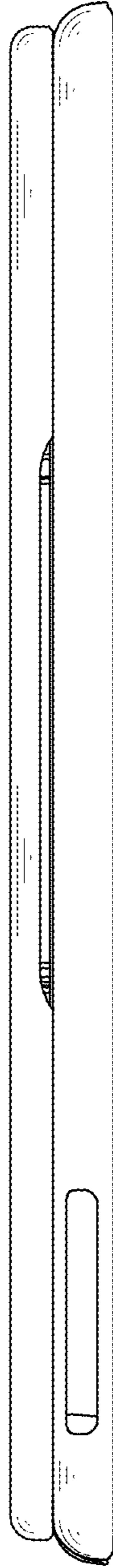
FIG. 2



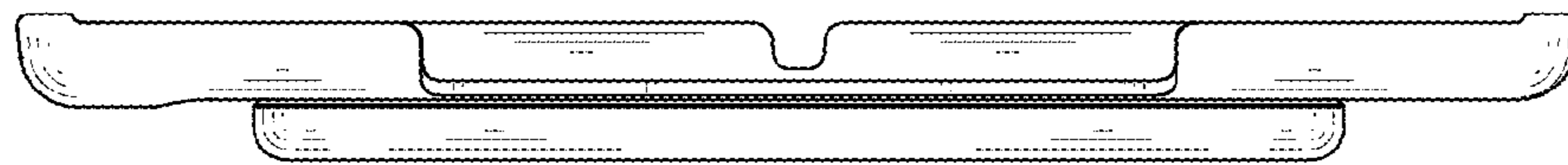
**FIG. 3**



**FIG. 4**

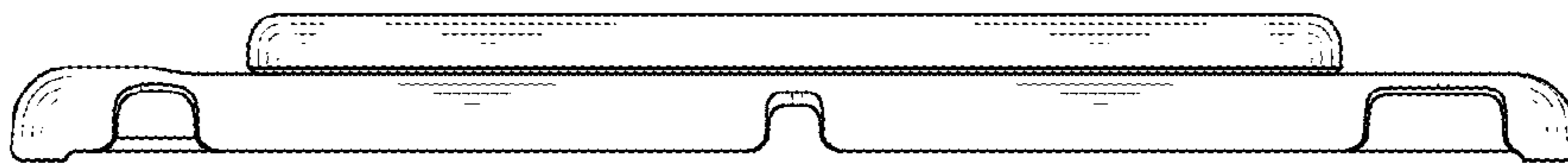


**FIG. 5**

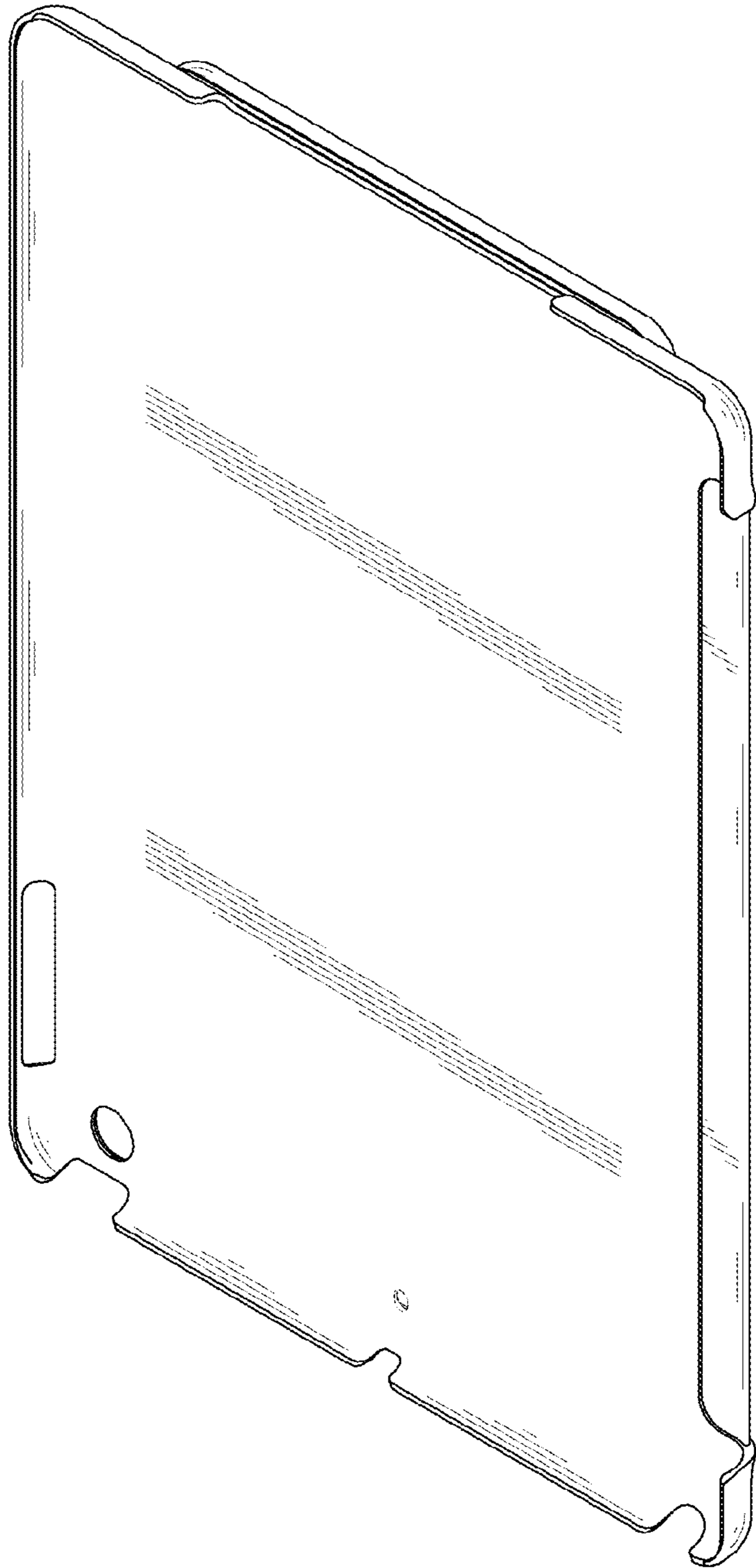


**FIG. 6**





**FIG. 7**



**FIG. 8**

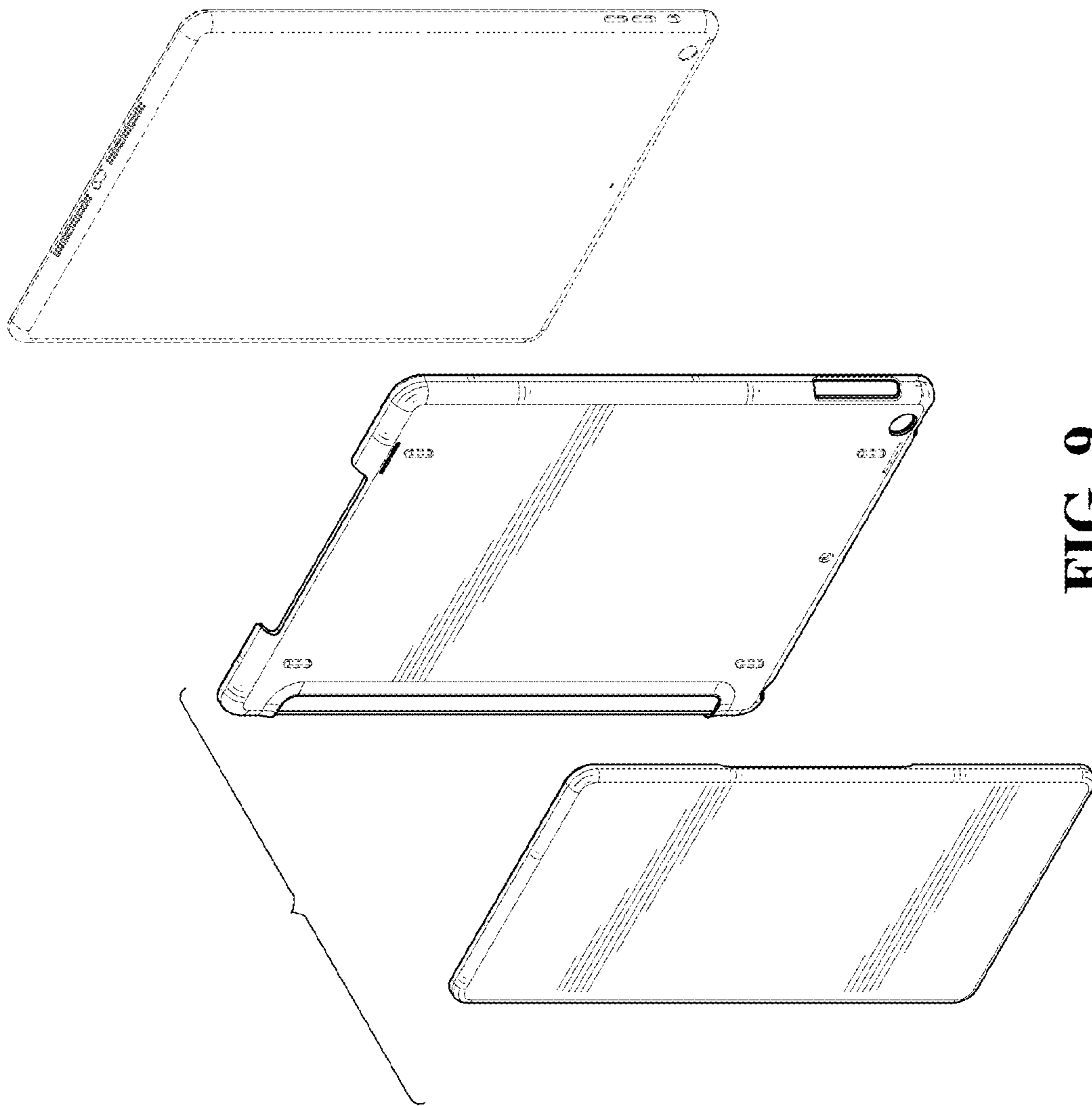


FIG. 9

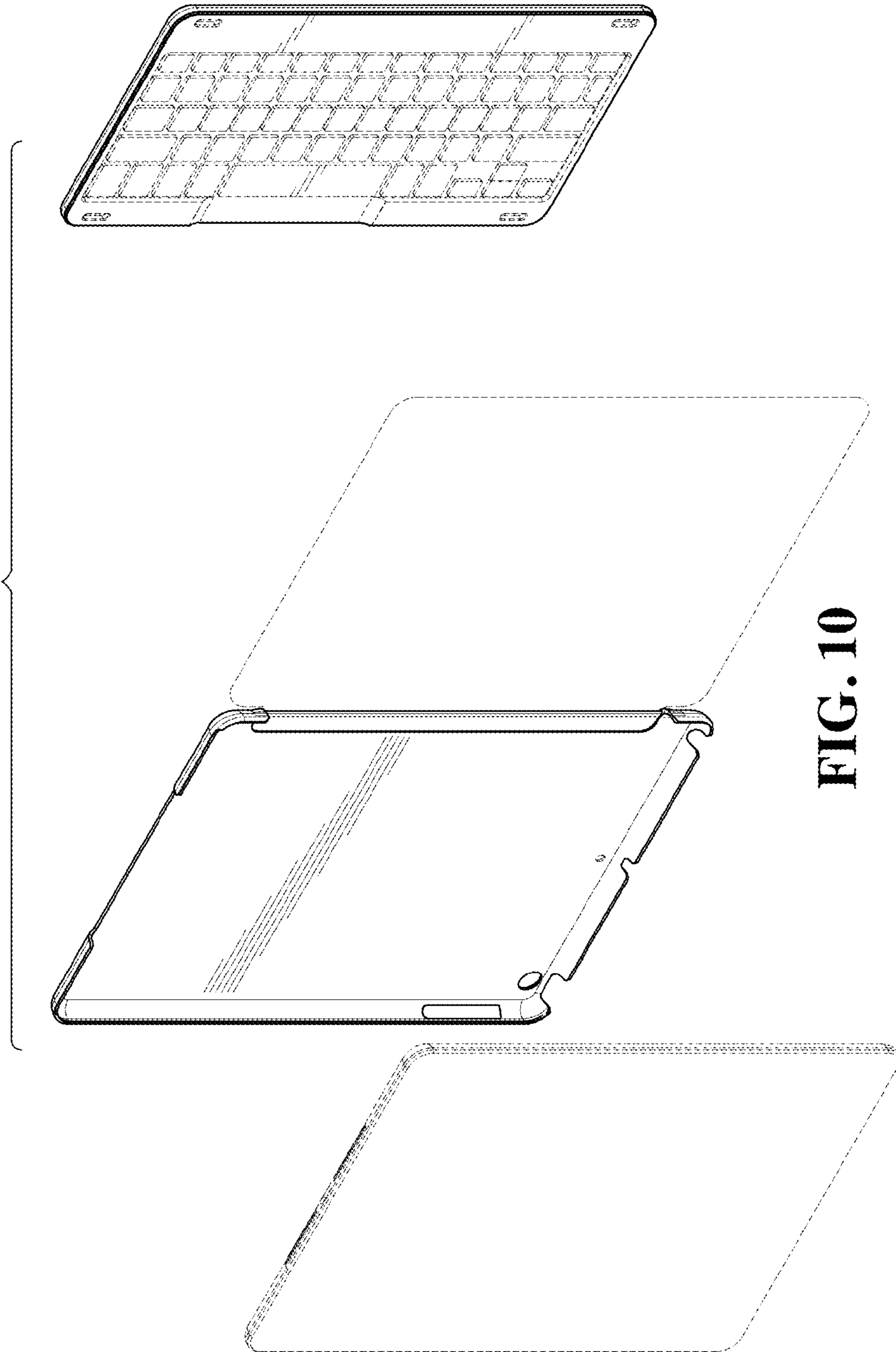


FIG. 10