



US00D743403S

(12) **United States Design Patent**
Ehara et al.

(10) **Patent No.:** **US D743,403 S**

(45) **Date of Patent:** **** Nov. 17, 2015**

(54) **COMPUTER CASINGS**

(71) Applicant: **NINTENDO CO., LTD.**, Kyoto (JP)

(72) Inventors: **Yui Ehara**, Kyoto (JP); **Junichiro Miyatake**, Kyoto (JP); **Hiroki Goto**, Kyoto (JP); **Kochi Kawai**, Kyoto (JP); **Yuya Okazaki**, Kyoto (JP); **Munetaka Nishikawa**, Kyoto (JP); **Hironori Akai**, Kyoto (JP)

(73) Assignee: **Nintendo Co., Ltd.**, Kyoto (JP)

(**) Term: **14 Years**

(21) Appl. No.: **29/509,989**

(22) Filed: **Nov. 24, 2014**

(30) **Foreign Application Priority Data**

Aug. 26, 2014 (JP) 2014-018609
Aug. 26, 2014 (JP) 2014-018610

(51) **LOC (10) Cl.** **14-02**

(52) **U.S. Cl.**
USPC **D14/439**; D14/432

(58) **Field of Classification Search**
USPC D14/316-319, 432-439, 442, 451-454, D14/496, 495, 391, 385, 367, 356; D8/331, D8/330; D18/50, 4.6, 4.5; 439/630, 635, 439/639, 160; 360/2; 235/492, 486, 479, 235/380
CPC G06F 1/206; G06F 1/3206; G06F 1/3287
See application file for complete search history.

(56) **References Cited**

U.S. PATENT DOCUMENTS

D639,791 S * 6/2011 Corley D14/248
D665,809 S * 8/2012 Wang D14/248
D673,958 S * 1/2013 Fathollahi D14/439

D675,210 S * 1/2013 Kim D14/439
D683,700 S * 6/2013 Ferrari D13/119
D690,703 S * 10/2013 Welch D14/440
D704,190 S * 5/2014 Sugino D14/432
D704,712 S * 5/2014 Sugino D14/432
D717,800 S * 11/2014 Akana D14/432
D720,353 S * 12/2014 Nakamura D14/432
D735,208 S * 7/2015 Dahlberg D14/440
2007/0117598 A1 * 5/2007 Yang H04M 1/0262
455/575.1
2010/0134987 A1 * 6/2010 Furholzer H02B 1/052
361/747

* cited by examiner

Primary Examiner — Austin Murphy

(74) *Attorney, Agent, or Firm* — Nixon & Vanderhye PC

(57) **CLAIM**

The ornamental designs for computer casings, as shown and described.

DESCRIPTION

FIG. 1 is a front perspective view of a first embodiment of a computer casings showing our new design;
FIG. 2 is a rear perspective view thereof;
FIG. 3 is a front view thereof;
FIG. 4 is a back view thereof;
FIG. 5 is a top view thereof;
FIG. 6 is a bottom view thereof;
FIG. 7 is a right view thereof;
FIG. 8 is a left view thereof;
FIG. 9 is a front perspective view of a second embodiment of a computer casings showing our new design;
FIG. 10 is a rear perspective view thereof;
FIG. 11 is a front view thereof;
FIG. 12 is a back view thereof;
FIG. 13 is a top view thereof;
FIG. 14 is a bottom view thereof;
FIG. 15 is a right view thereof; and,
FIG. 16 is a left view thereof.

1 Claim, 14 Drawing Sheets

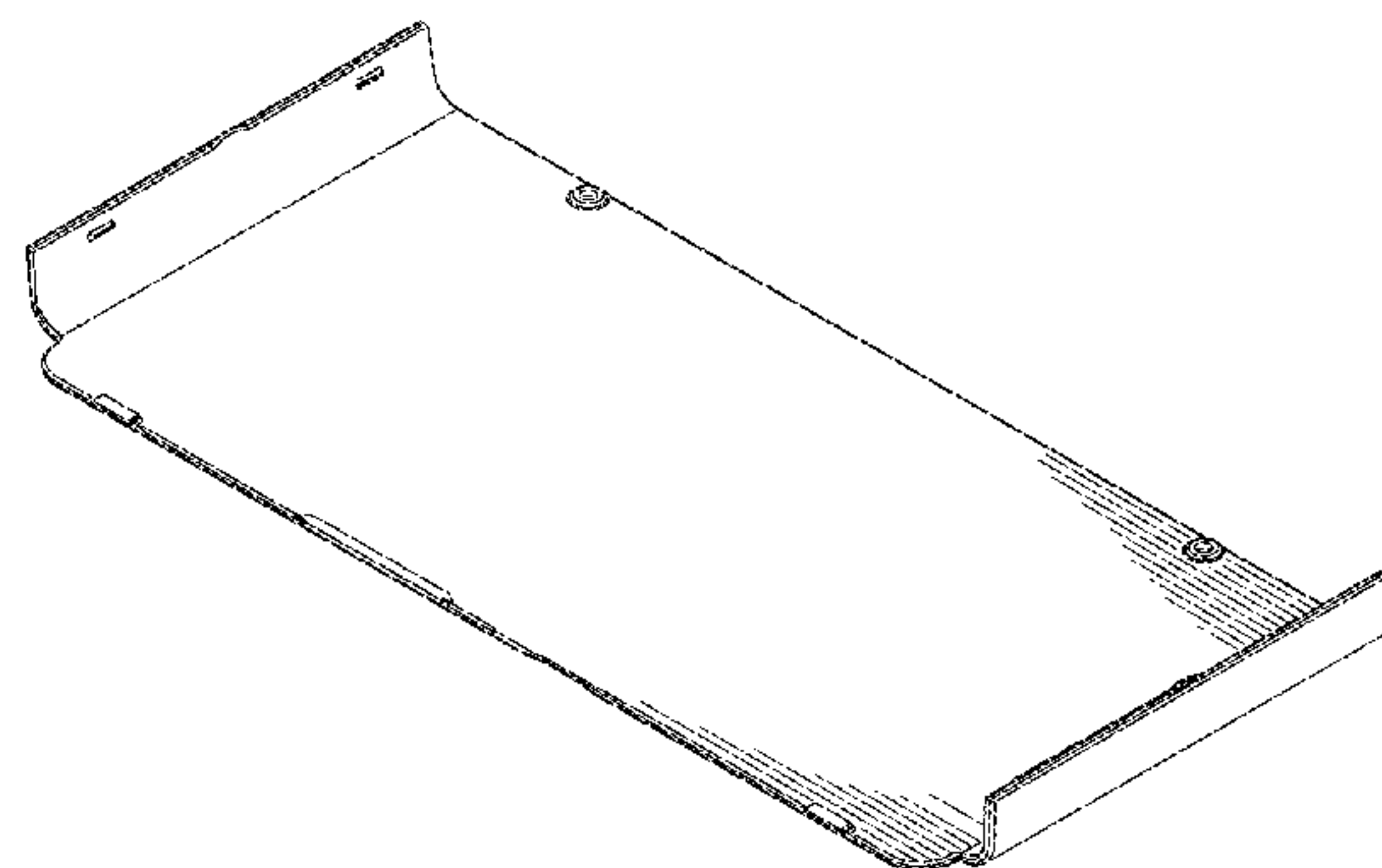
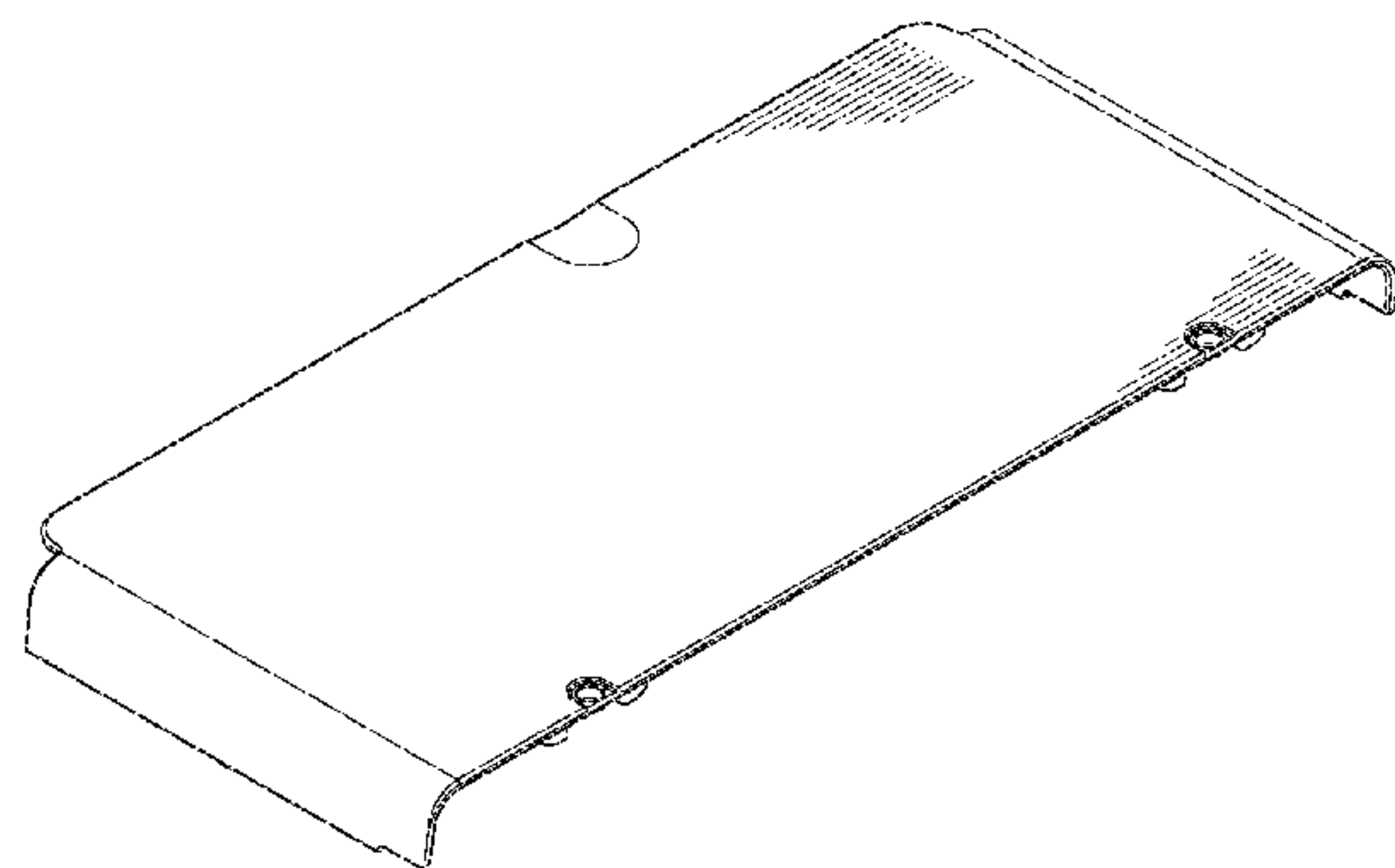


Fig.1

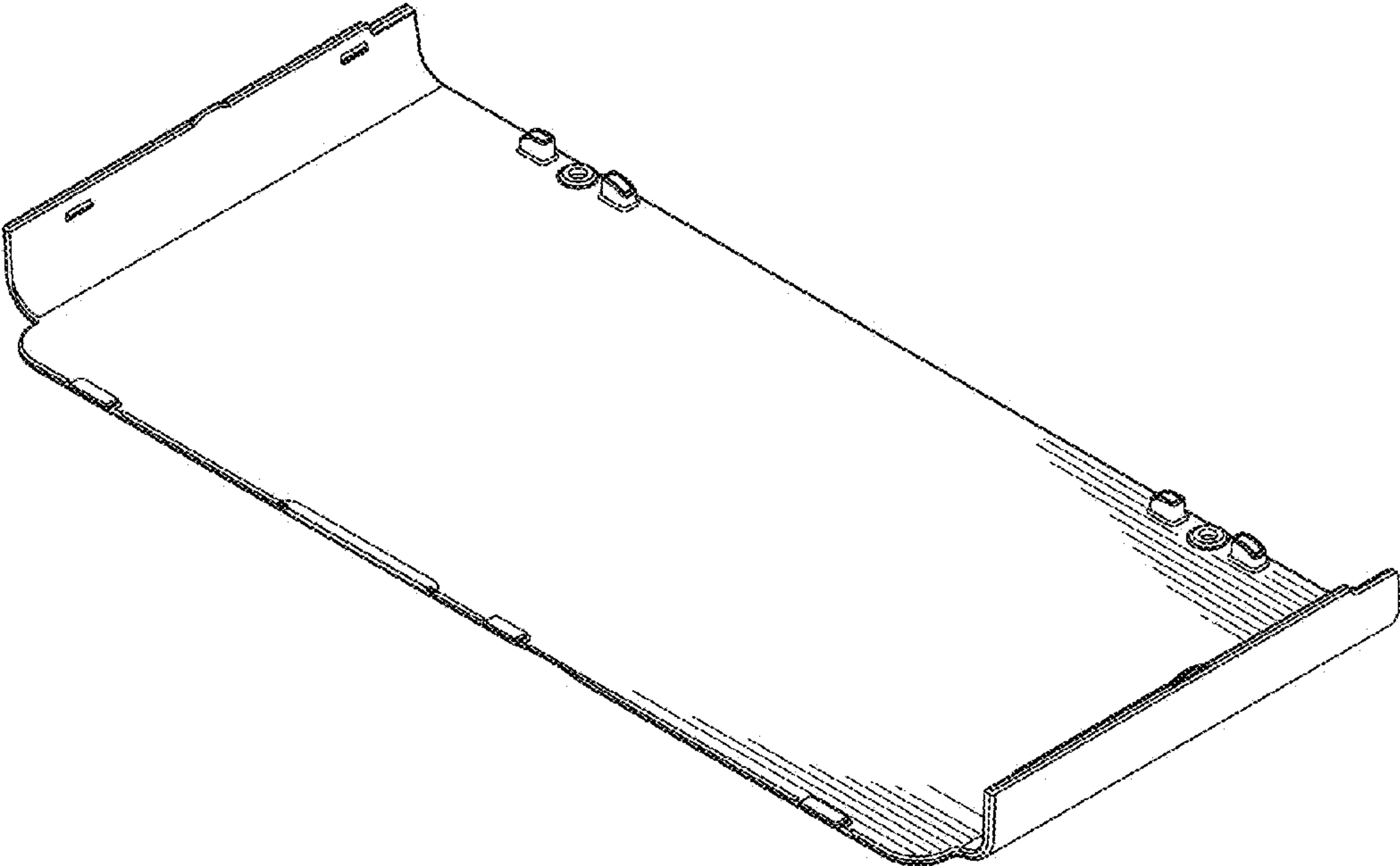


Fig.2

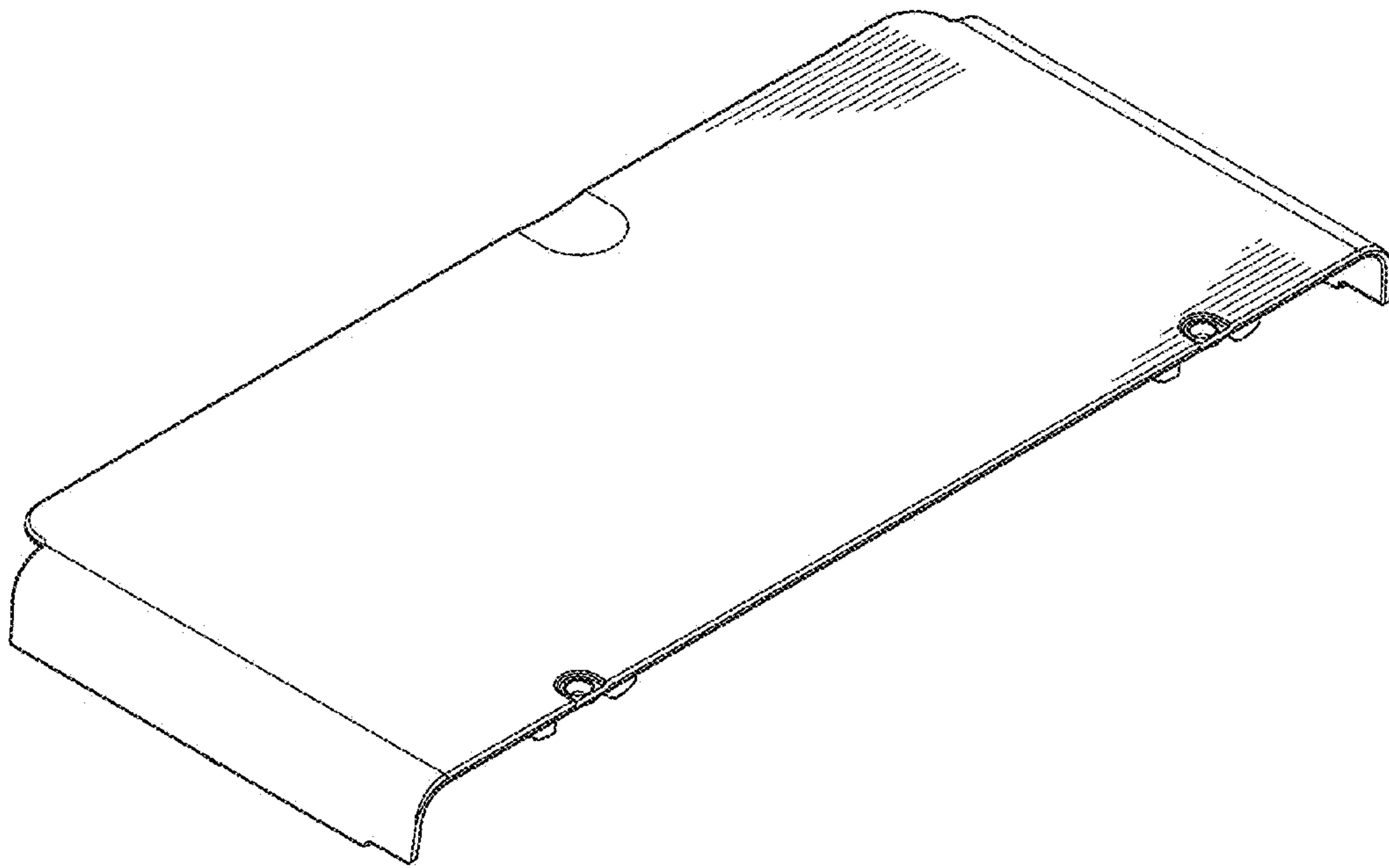


Fig.3

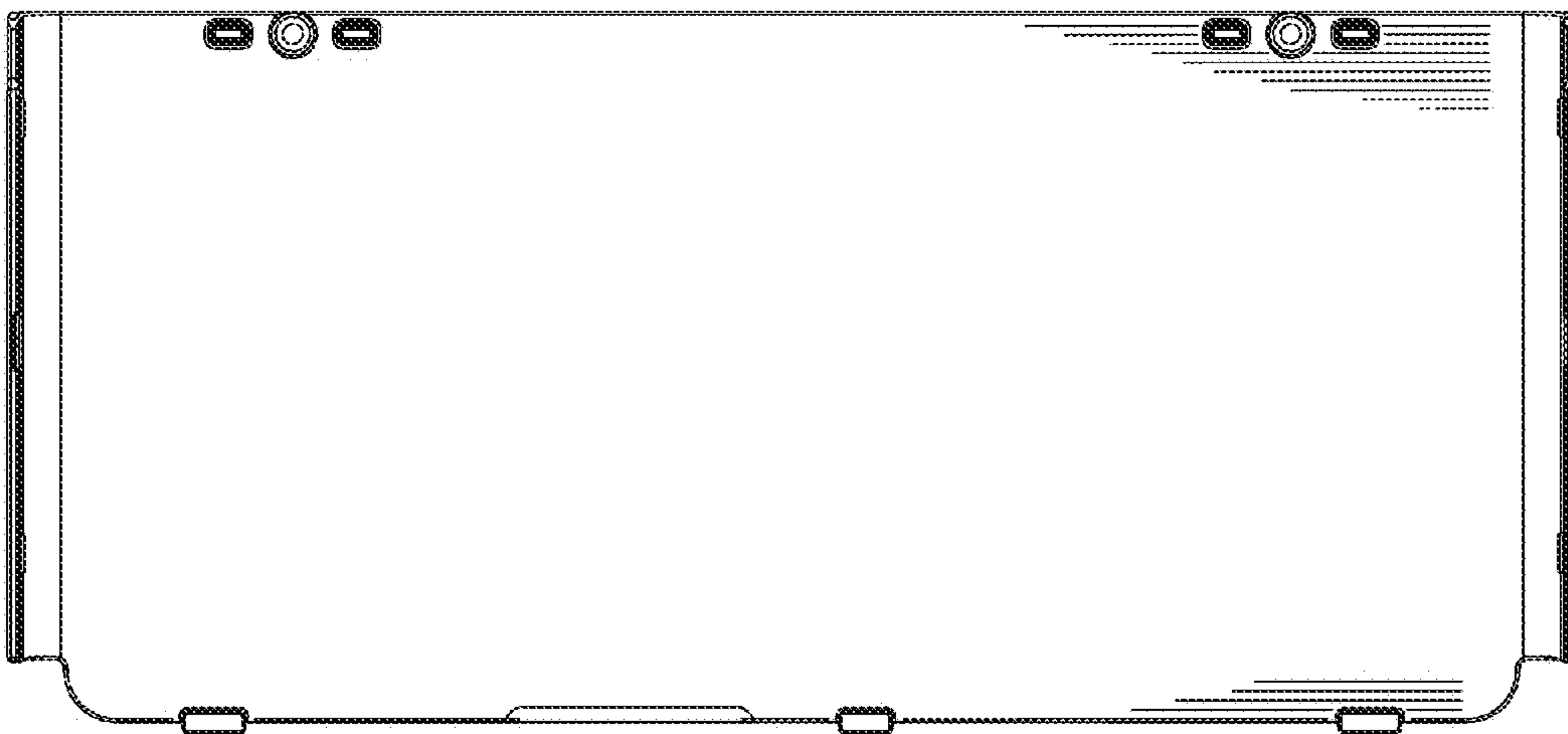


Fig.4

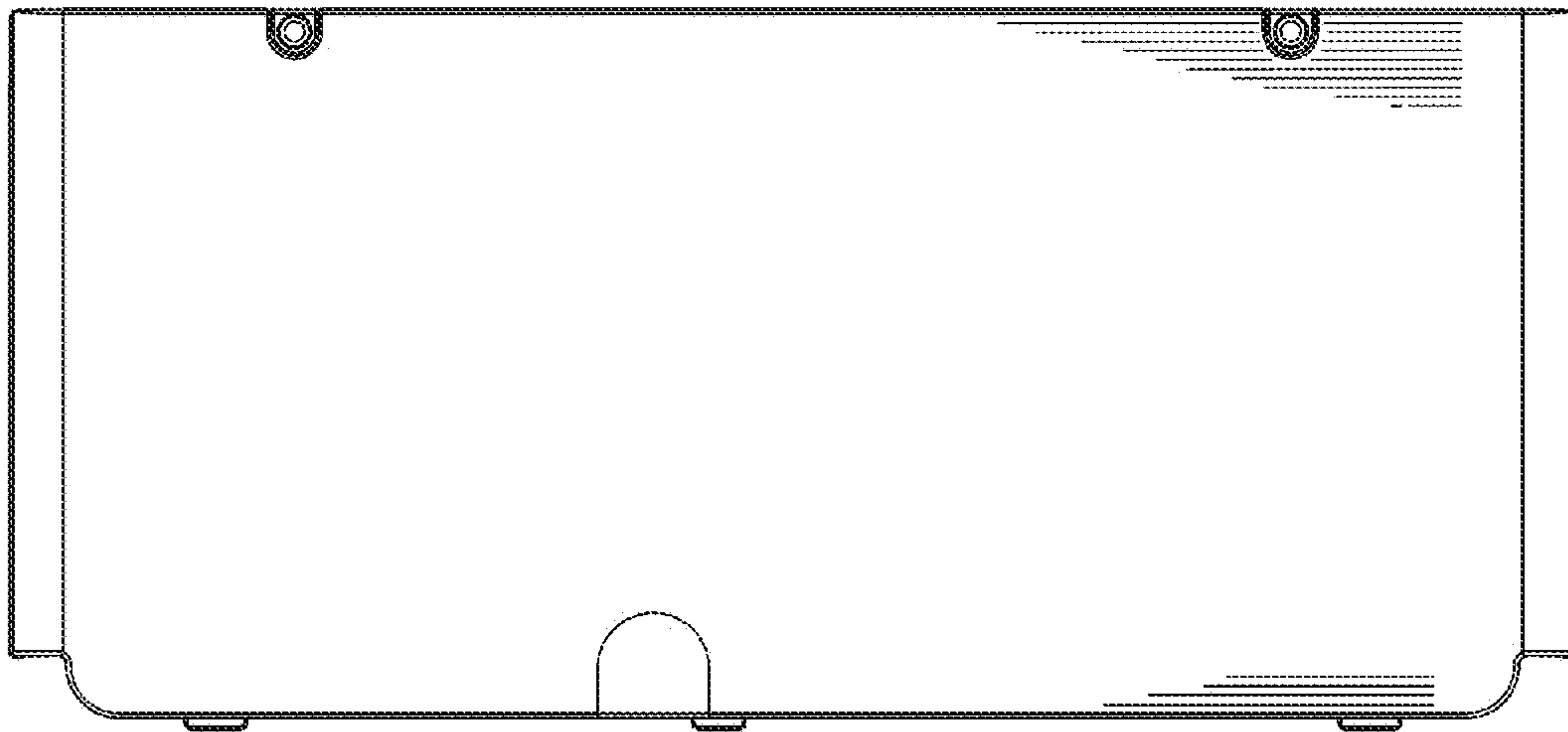


Fig.5

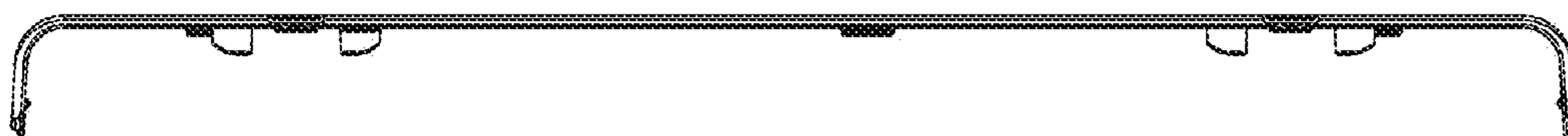


Fig.6



Fig.7

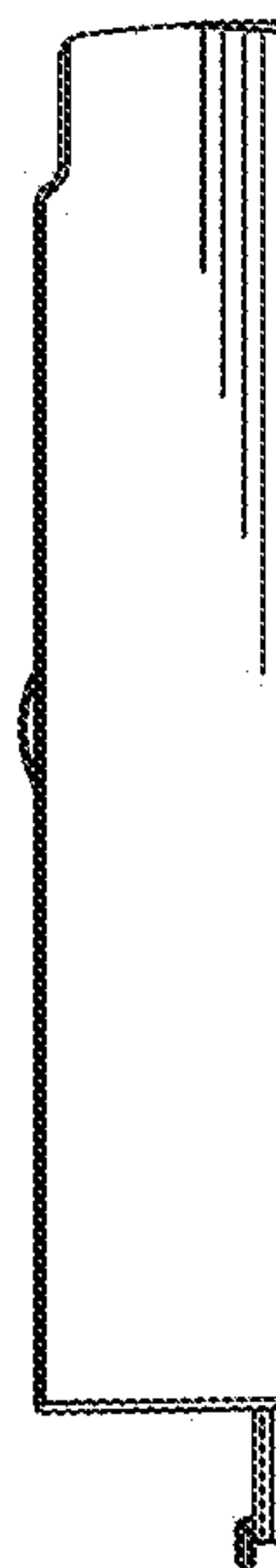


Fig.8



Fig.9

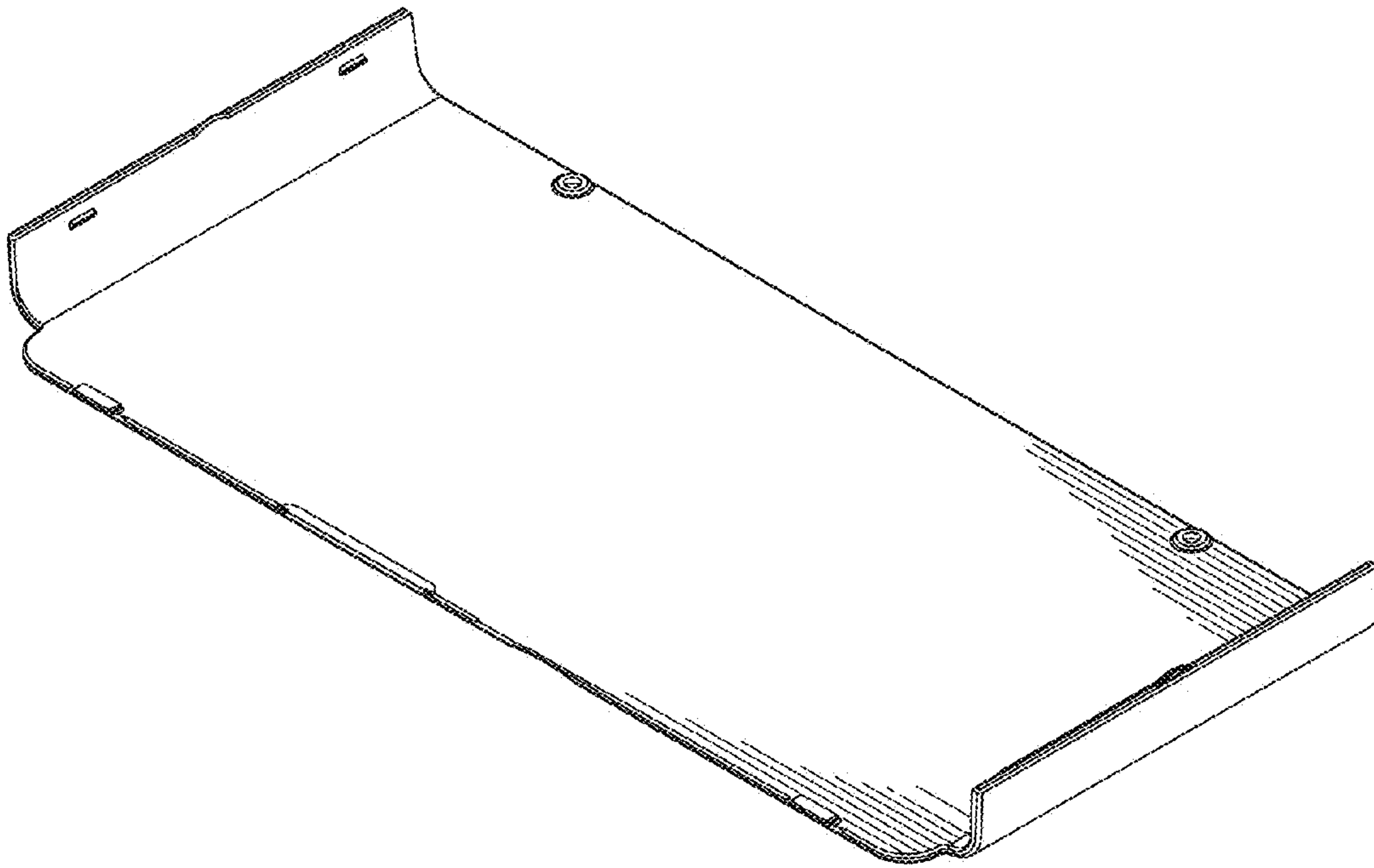


Fig.10

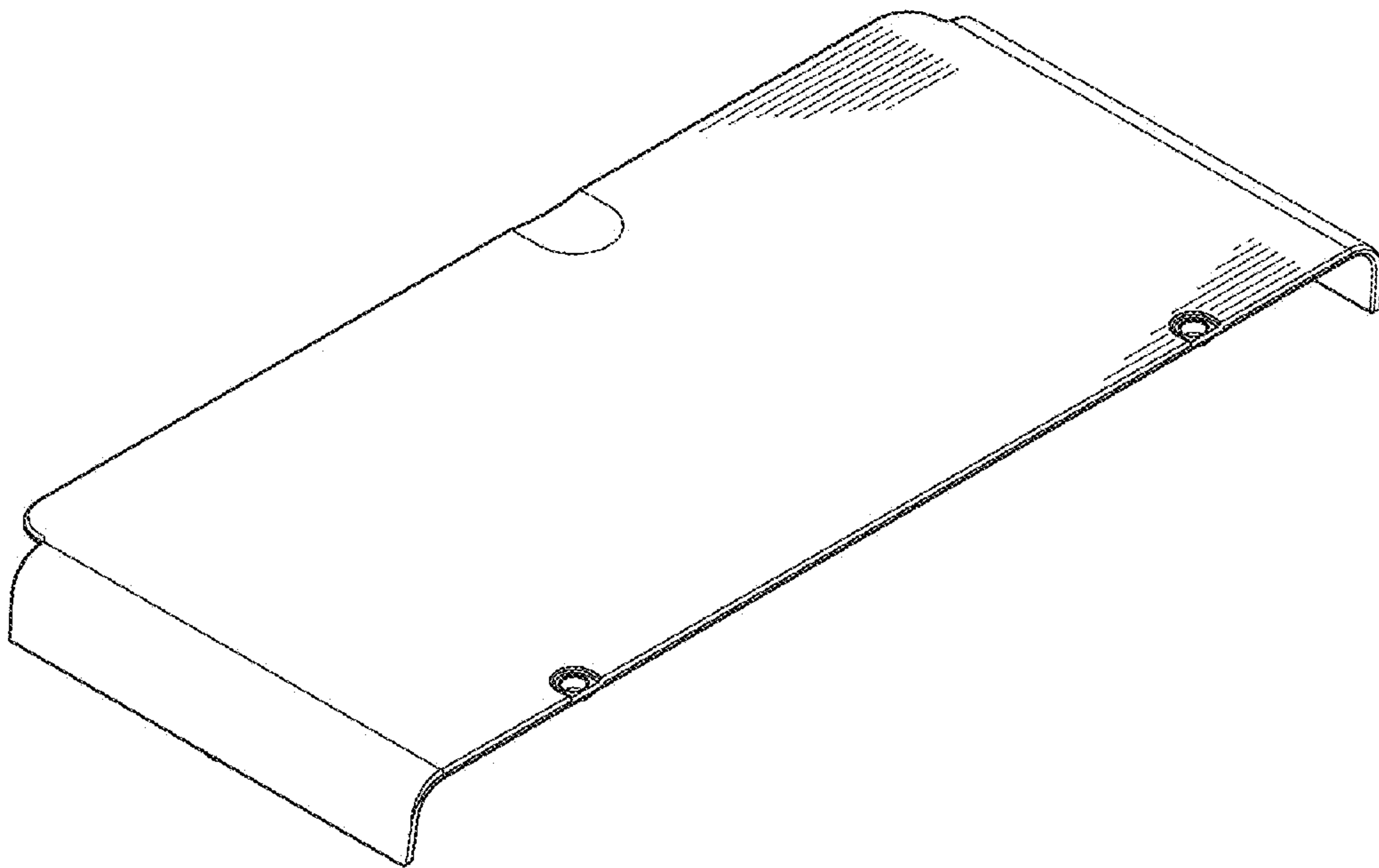


Fig. 11

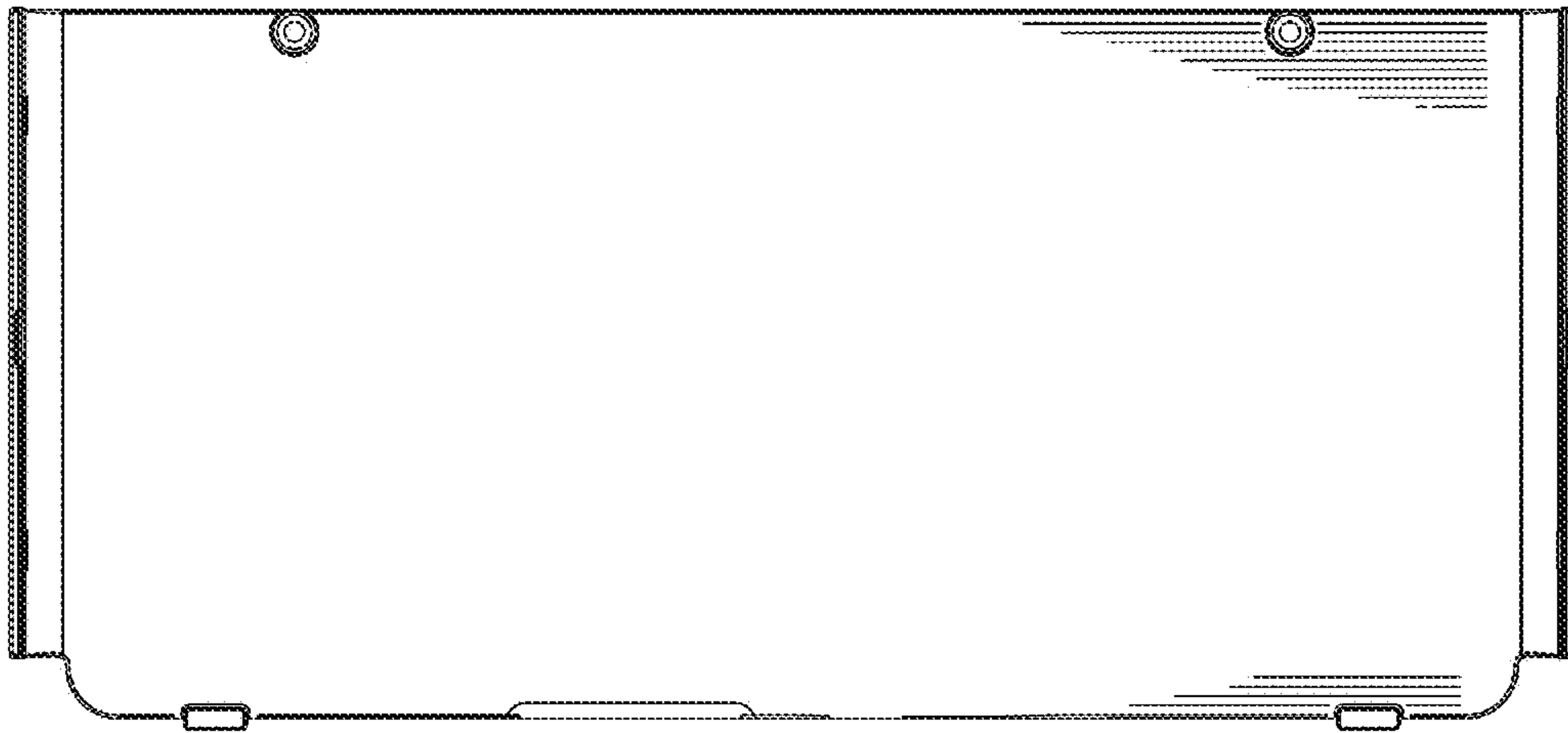


Fig.12

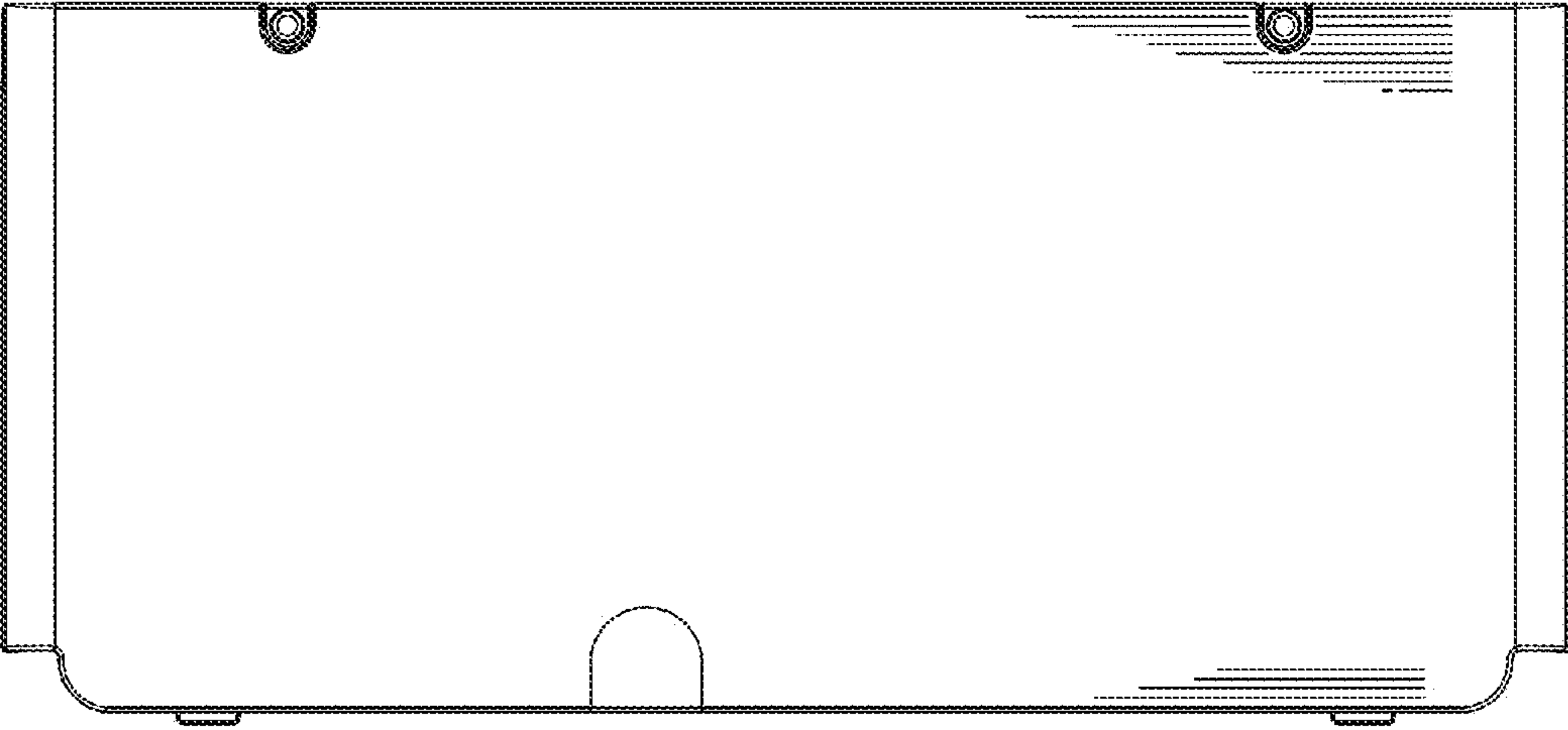


Fig.13



Fig.14



Fig.15

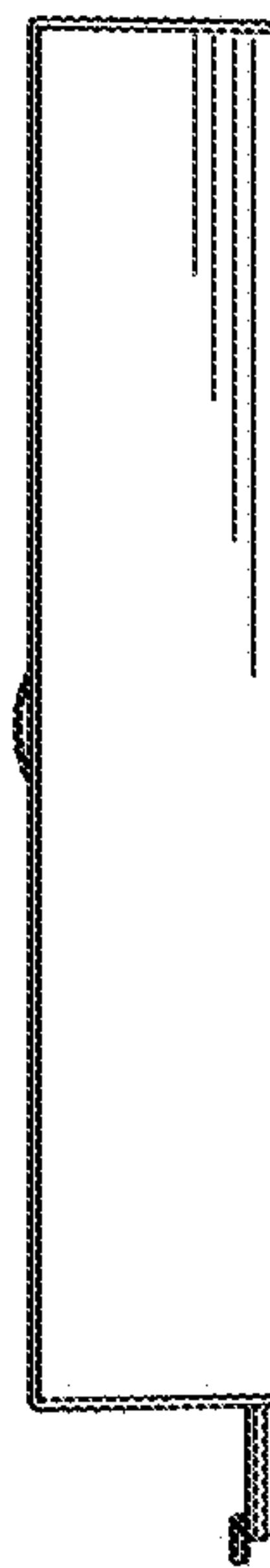


Fig.16

