



US00D743401S

(12) **United States Design Patent**
Shimano et al.

(10) **Patent No.:** **US D743,401 S**

(45) **Date of Patent:** **** Nov. 17, 2015**

(54) **WIRELESS DEVICE FOR SIGNAL RELAY
DEVICE**

(71) Applicant: **MITSUBISHI ELECTRIC
CORPORATION**, Tokyo (JP)

(72) Inventors: **Hiroichiro Shimano**, Tokyo (JP);
Atsutomo Hayamizu, Tokyo (JP); **Yuta
Yamada**, Tokyo (JP)

(73) Assignee: **MITSUBISHI ELECTRIC
CORPORATION**, Tokyo (JP)

(**) Term: **14 Years**

(21) Appl. No.: **29/502,626**

(22) Filed: **Sep. 18, 2014**

(30) **Foreign Application Priority Data**

May 13, 2014 (JP) 2014-010201

(51) **LOC (10) Cl.** **14-02**

(52) **U.S. Cl.**
USPC **D14/435.1**

(58) **Field of Classification Search**
USPC D14/356, 358, 432, 137, 138, 140, 188,
D14/217, 240, 242, 299, 191, 411, 433,
D14/435.1, 436, 480.1–480.7, 484.1, 155,
D14/203.1–203.8; D13/110, 184, 133, 154,
D13/162, 103, 199; D10/65, 75, 78;
D9/432; D3/273; 341/22
CPC H01R 35/02; A63H 5/00; A63H 13/02;
A63H 29/22; A63H 33/00; B25J 5/00; B25J
19/00; G05B 15/00; G05B 15/02; G06F
1/1626; G09B 5/06; G09B 19/00; G01S
15/93; H04L 67/306; H04R 1/04
See application file for complete search history.

(56) **References Cited**

U.S. PATENT DOCUMENTS

D380,205 S * 6/1997 Bares D14/242
6,394,813 B1 * 5/2002 Stout H01R 35/02
439/11

D487,259 S * 3/2004 Obata D14/167
D532,776 S * 11/2006 Griffin D14/435.1
D559,838 S * 1/2008 Yuba D14/230
D580,436 S * 11/2008 Kiyomiya D14/435.1
D624,924 S * 10/2010 Lee D14/480.5
D627,356 S * 11/2010 Kao D14/435.1
D658,648 S * 5/2012 Chen D14/358
D672,351 S * 12/2012 Camacho D14/435.1
D699,243 S * 2/2014 Cho D14/435
D735,178 S * 7/2015 Yoon D14/240

* cited by examiner

Primary Examiner — Karen E Kearney

Assistant Examiner — Nathaniel D Buckner

(74) *Attorney, Agent, or Firm* — Studebaker & Brackett PC

(57) **CLAIM**

The ornamental design for a wireless device for signal relay device, as shown and described.

DESCRIPTION

FIG. 1 is a perspective view of the front, right, and top sides of a wireless device for signal relay device showing our new design;

FIG. 2 is a perspective view of the rear, left, and bottom sides thereof;

FIG. 3 is a front view thereof;

FIG. 4 is a rear view thereof;

FIG. 5 is a left side view thereof;

FIG. 6 is a right side view thereof;

FIG. 7 is a top view thereof;

FIG. 8 is a bottom view thereof;

FIG. 9 is a perspective of the wireless device for signal relay device in an environment of use; and,

FIG. 10 is a perspective view of the wireless device for signal relay device in a second environment of use.

The broken lines showing the antenna in FIGS. 1-10 are included for the purpose of illustrating portions of the article and form no part of the claim. The Broken lines showing a laptop and wireless relay device in FIGS. 9-10 are included for the purpose of illustrating environmental subject matter and form no part of the claimed design.

1 Claim, 10 Drawing Sheets

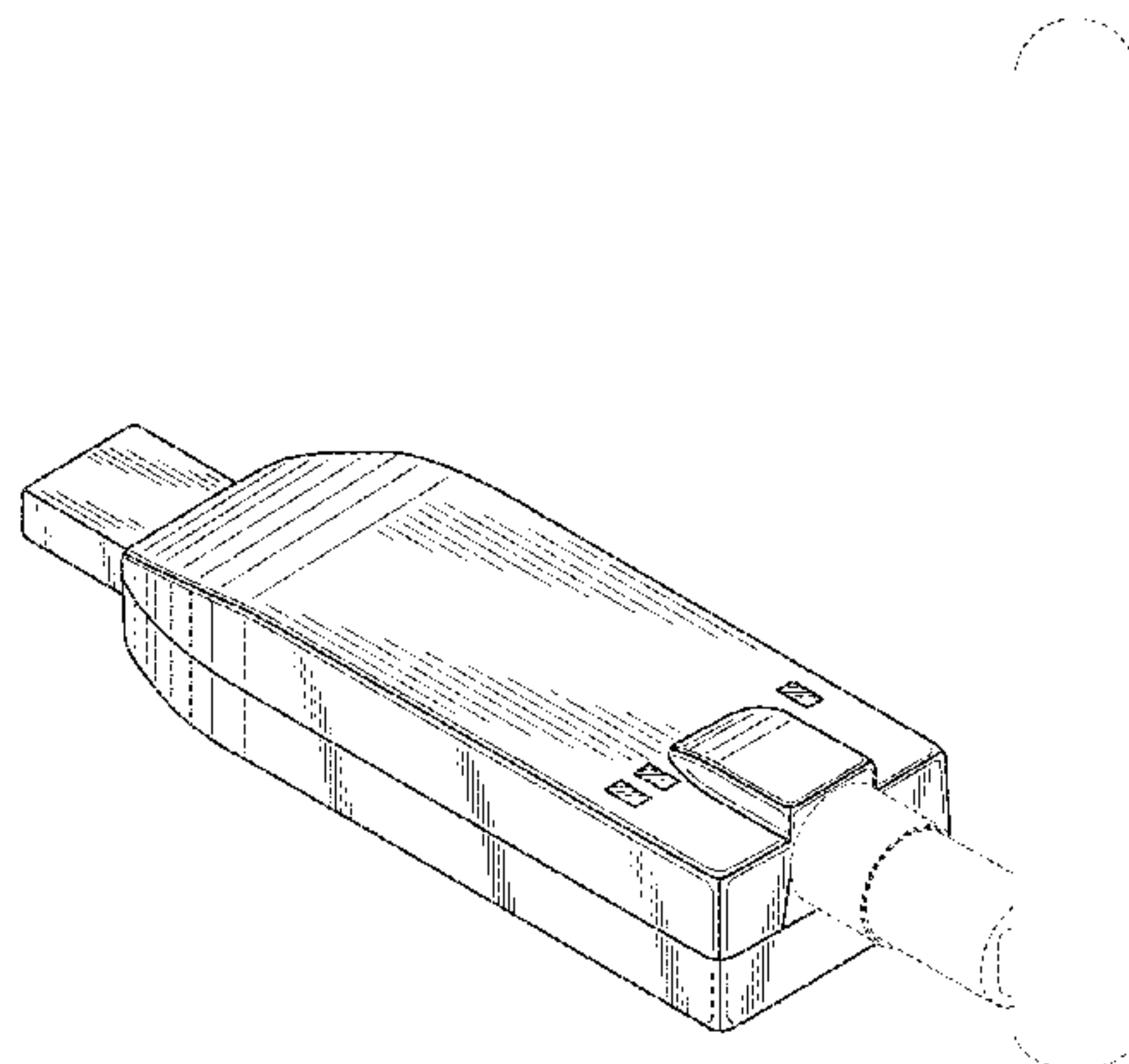


FIG. 1

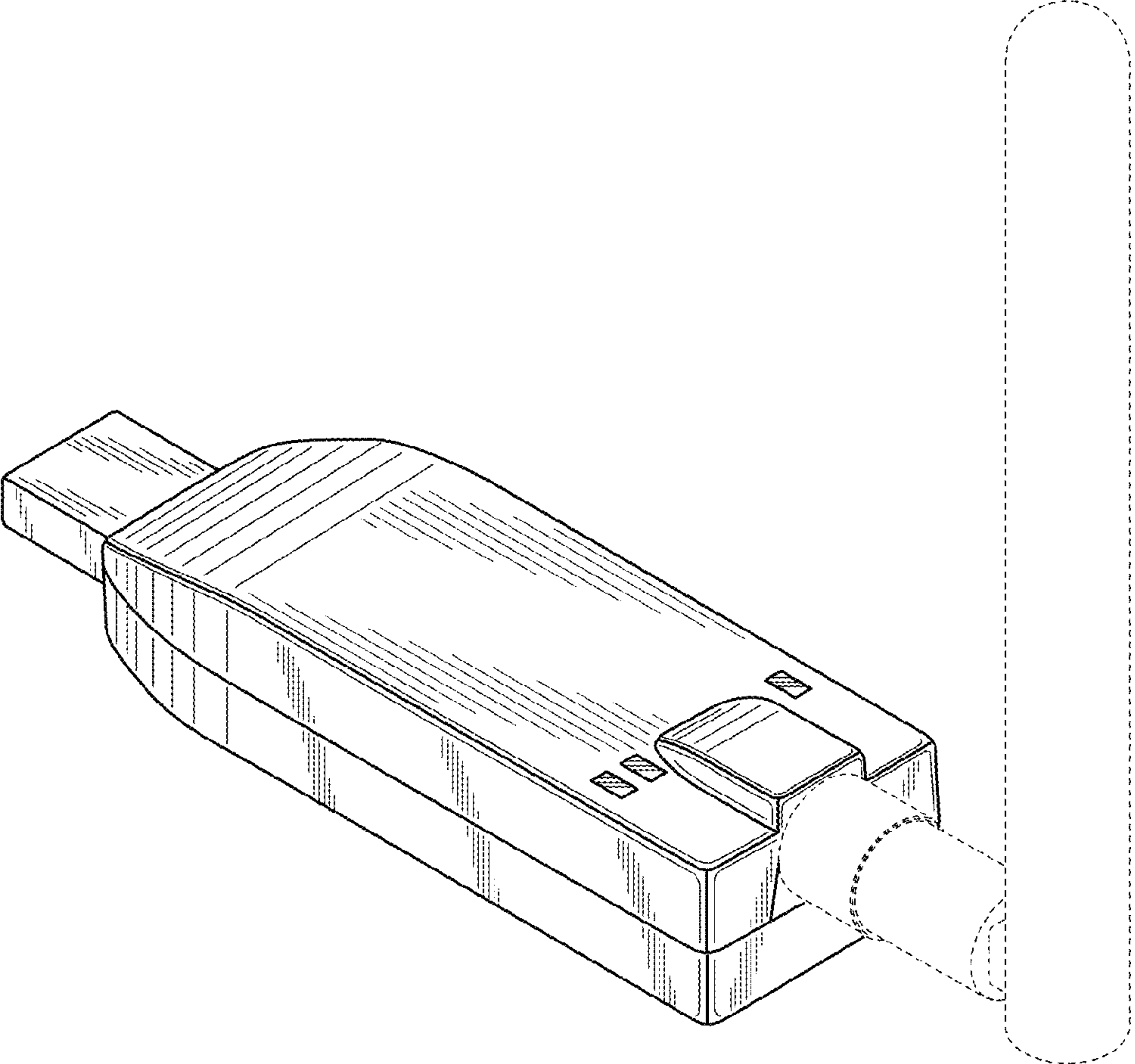


FIG. 2

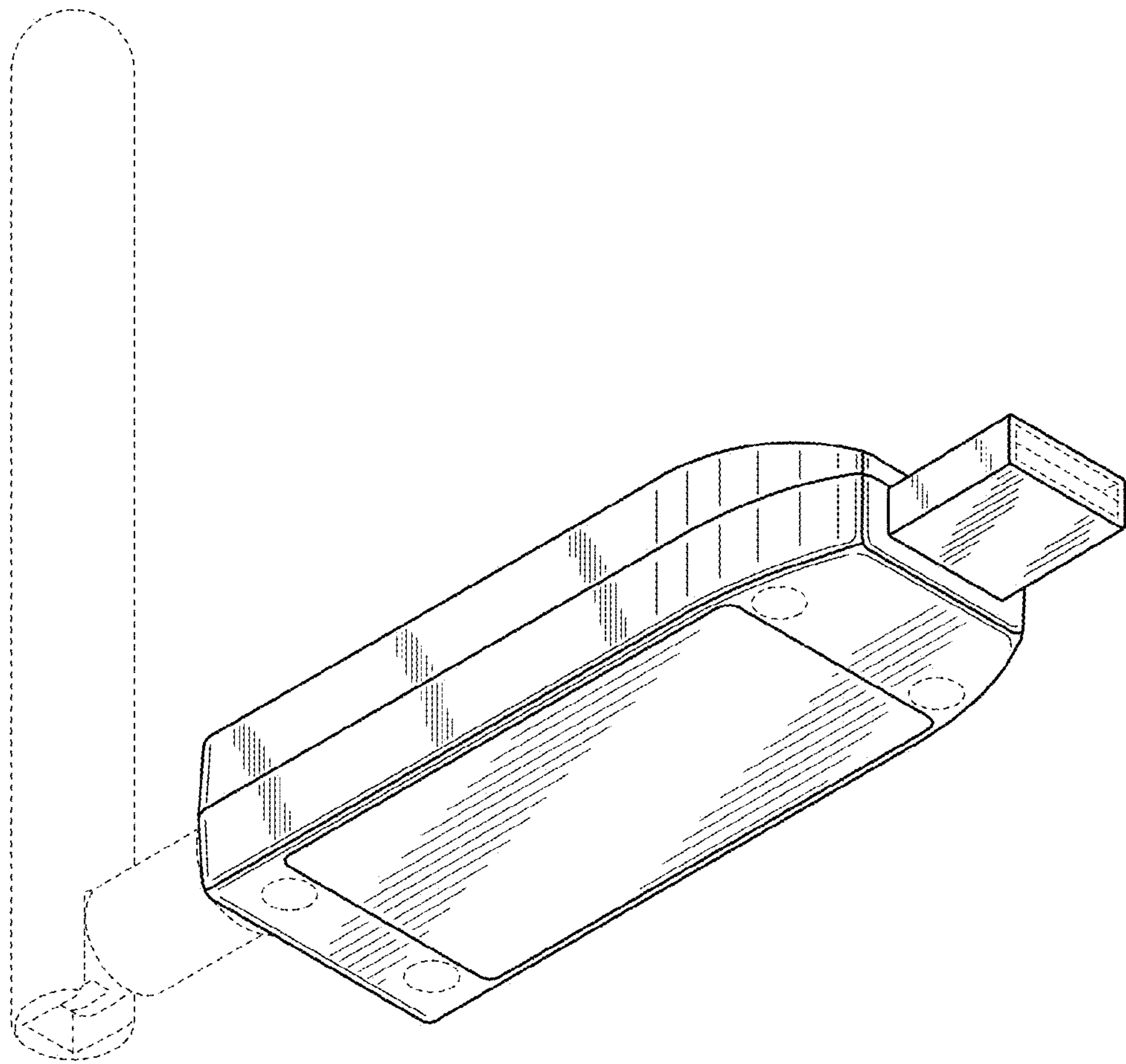


FIG. 3

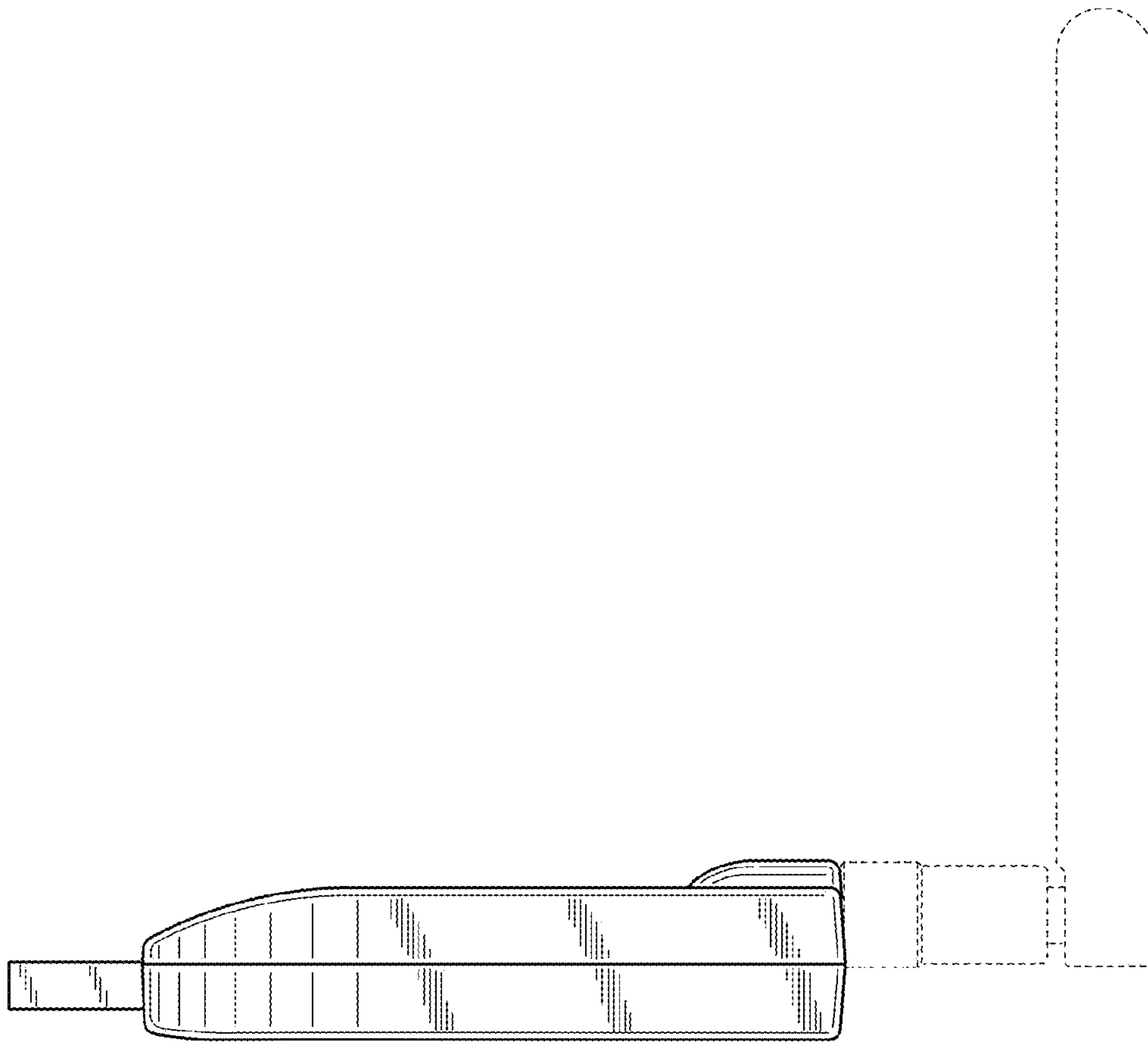


FIG. 4

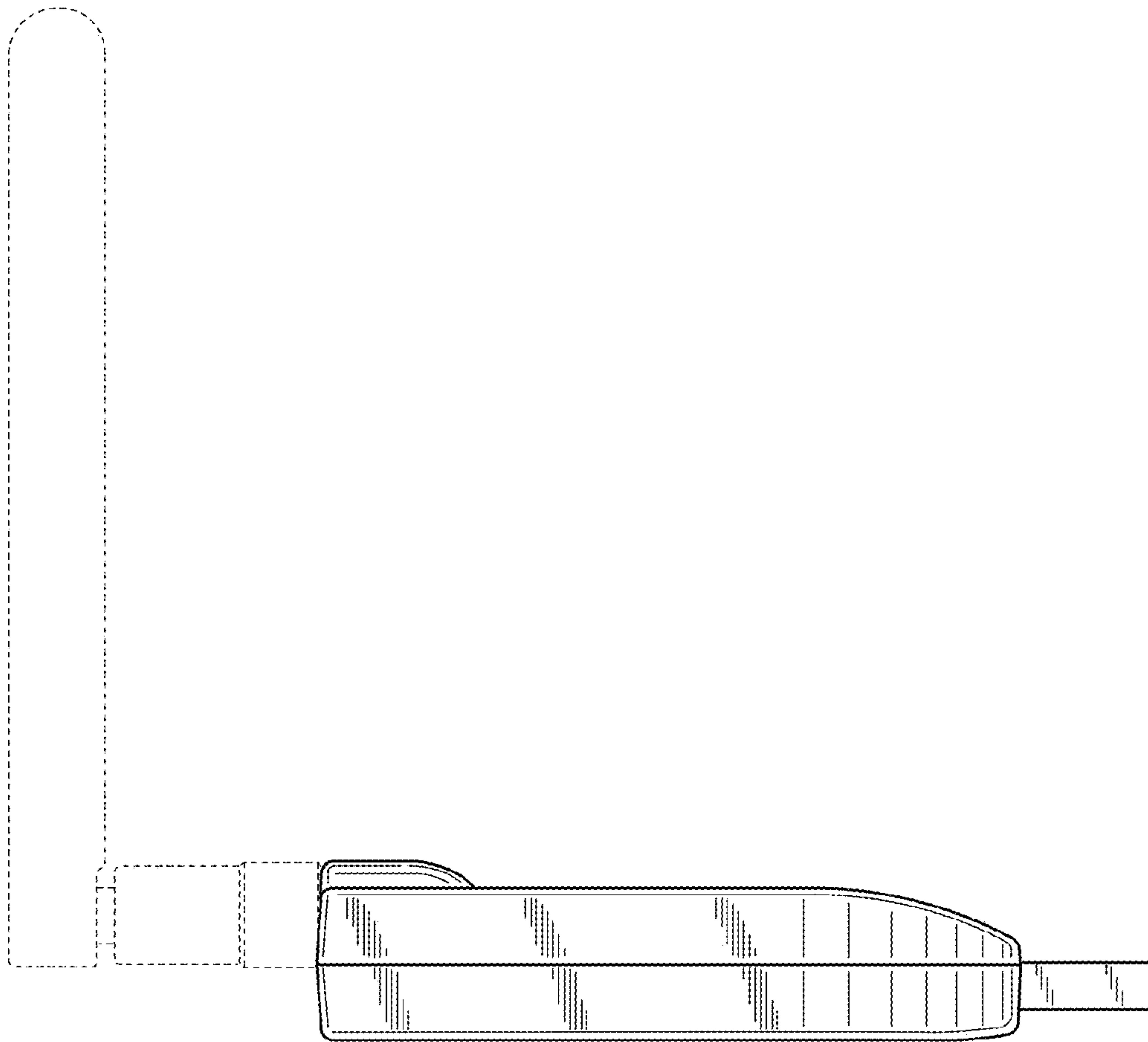


FIG. 5

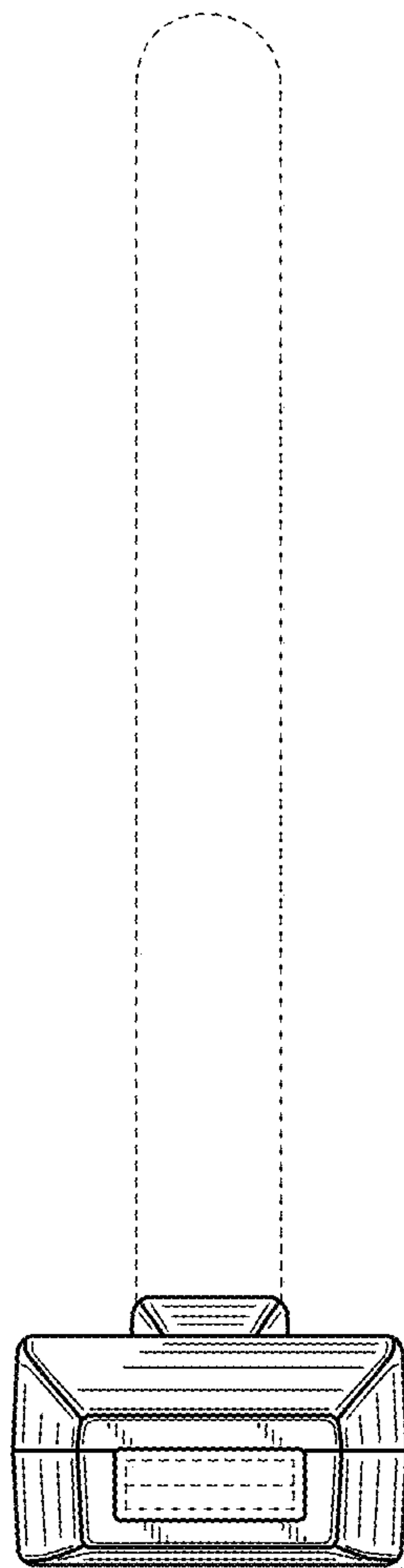


FIG. 6

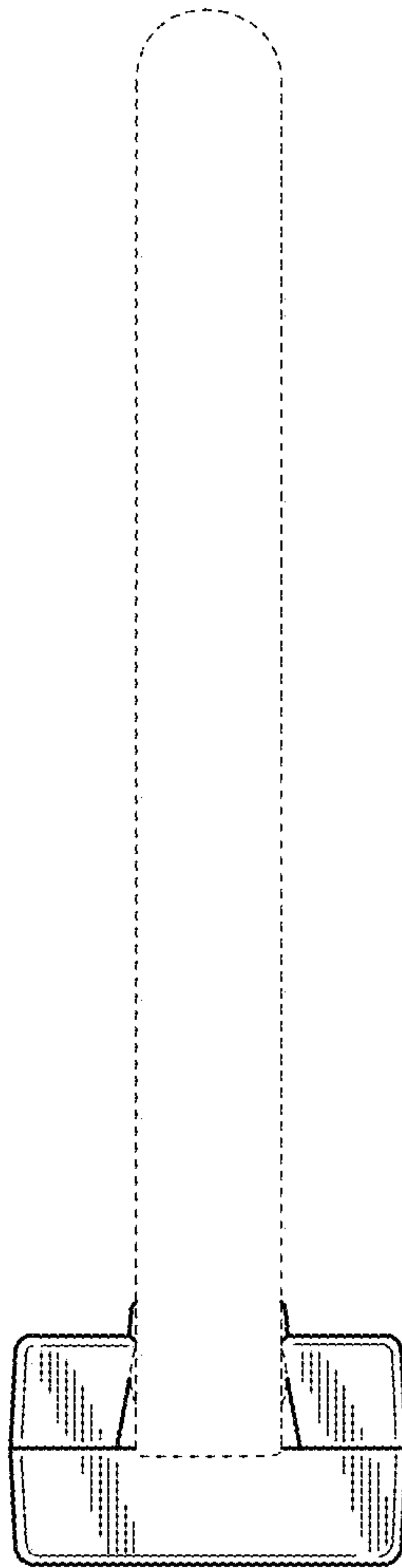


FIG. 7

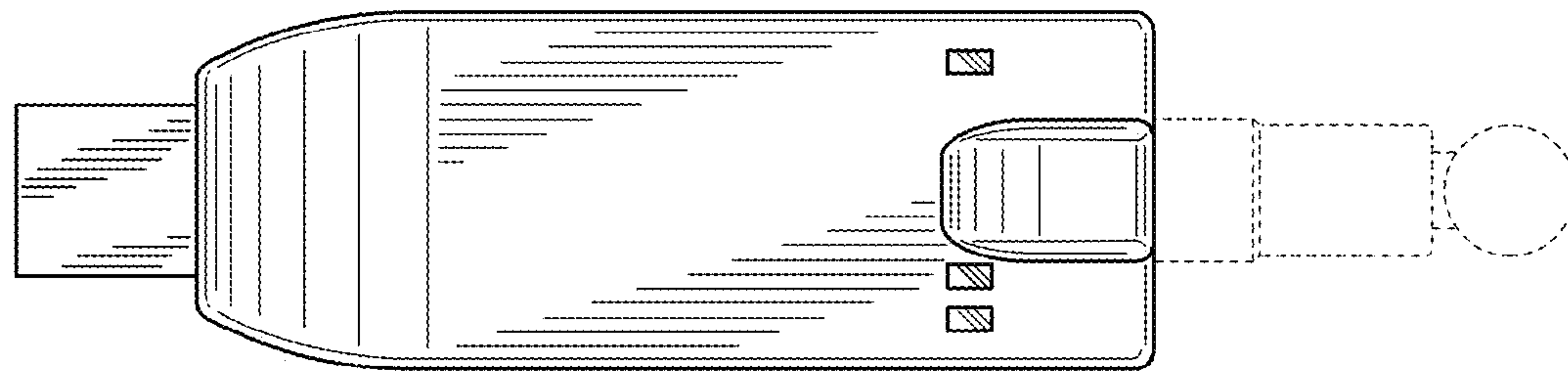
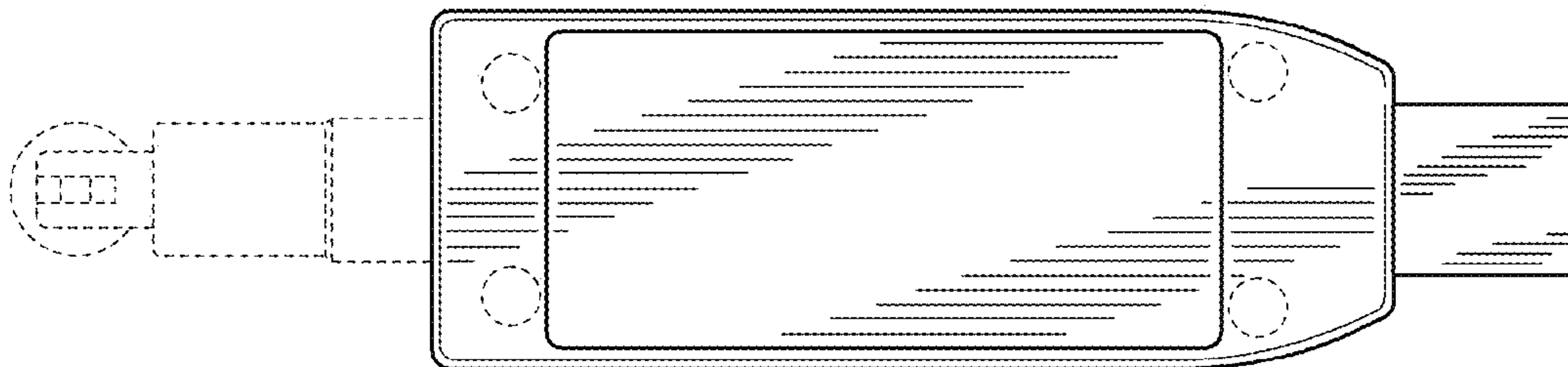


FIG. 8



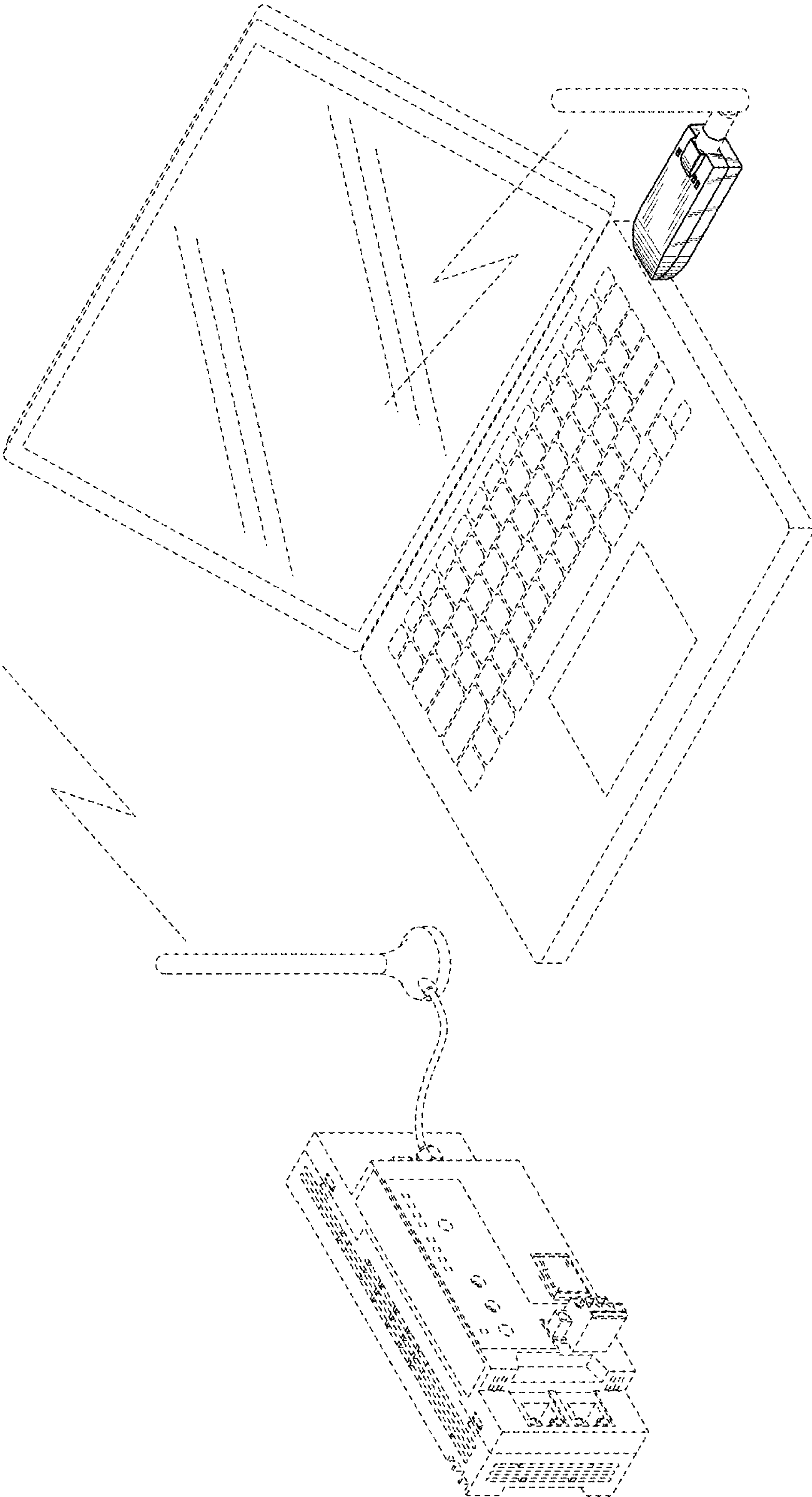


FIG. 9

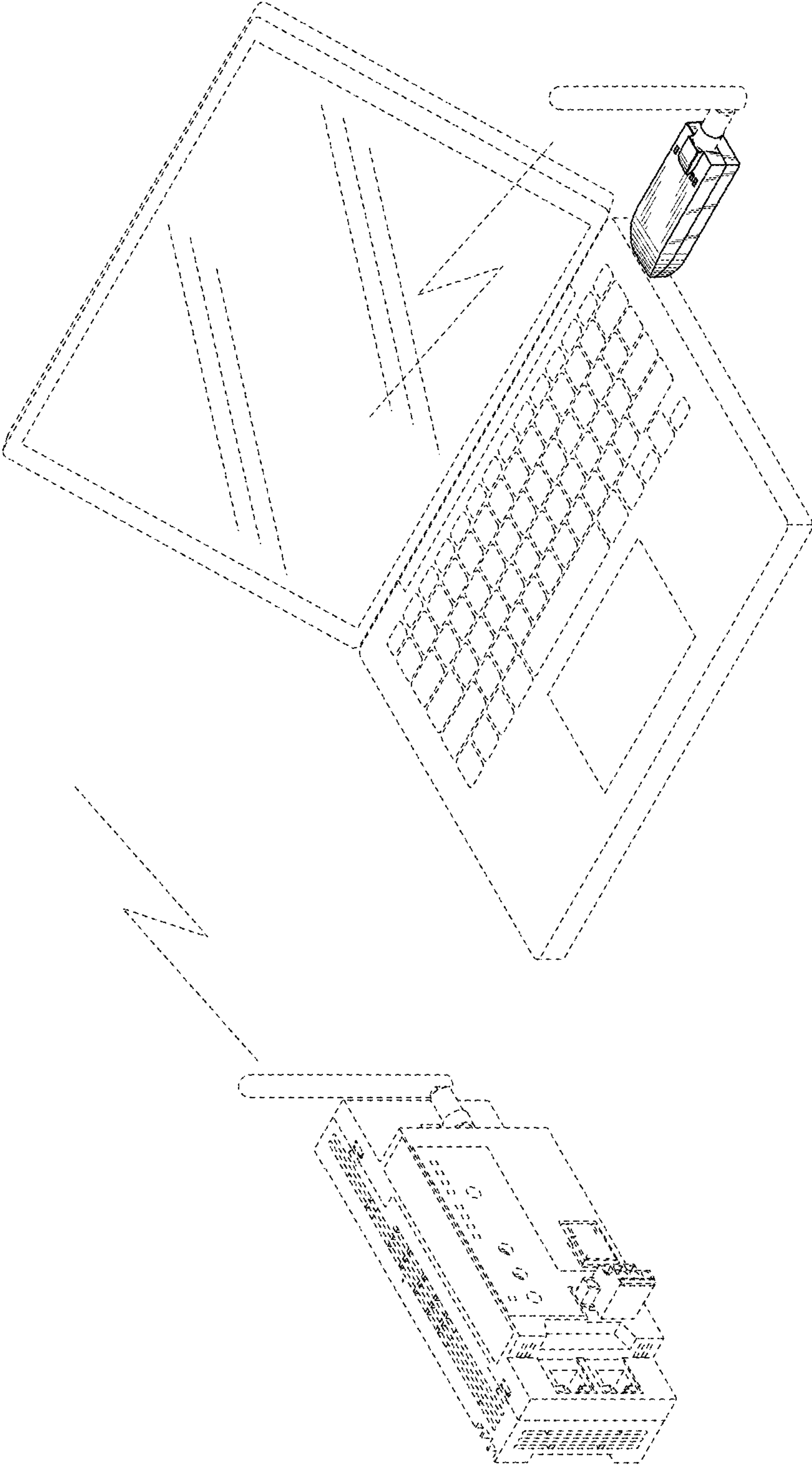


FIG. 10