



US00D743399S

(12) **United States Design Patent**  
**Frank**

(10) **Patent No.:** **US D743,399 S**

(45) **Date of Patent:** **\*\* Nov. 17, 2015**

(54) **FLASH MODULE**

(71) Applicant: **EMC Corporation**, Hopkinton, MA (US)

(72) Inventor: **Christopher Frank**, Menlo Park, CA (US)

(73) Assignee: **EMC Corporation**, Hopkinton, MA (US)

(\*\*) Term: **14 Years**

(21) Appl. No.: **29/492,424**

(22) Filed: **May 30, 2014**

(51) **LOC (10) Cl.** ..... **14-02**

(52) **U.S. Cl.**  
USPC ..... **D14/435**; D14/436; D14/480.1

(58) **Field of Classification Search**  
USPC ..... D14/435, 356, 242, 436, 433, 474, 240, D14/496, 385, 358, 480.1-480.7; 360/97.01, 685, 686, 752, 737, 732, 360/784, 803; 439/135, 144, 139-141, 147, 439/136, 638, 518, 131; 365/51, 63, 131; 710/52, 300, 313; 711/115, 103, 154, 711/161-162; 70/58; 323/210; 713/186, 1; 382/124; 235/492; D13/147

CPC ..... G06K 19/06196; G06K 19/072; G06K 19/0721-19/0728; G06K 19/073; G06K 19/07309; G06K 19/077; G06K 19/07701; G06K 19/07715; G06K 19/0772; G06K 19/07724; G06K 19/07726; G06K 19/07728; G06K 7/0021; G06F 21/85-21/88; G06F 21/77-21/80; G06F 21/00; G06Q 20/3229; G06Q 20/34; G06Q 20/341; G06Q 20/346; G06Q 20/349; G06Q 20/3563; G06Q 20/3567; G06Q 20/357; G06Q 20/3576; H05K 5/026; H05K 5/0256; H05K 5/0265; H05K 5/0269; H05K 5/0273; H05K 5/0278; H05K 5/0282; H05K 5/0286; H05K 5/0291; H05K 5/0295; H05K 5/03; H05K 5/04; H05K 5/06; H05K 5/061-5/069; H05K 7/00; H05K 7/005; H05K 7/02; H05K 7/023; H05K 7/026; H05K 7/04; H05K 7/10; H05K 7/1418; H05K 7/142; H05K 7/1405; H05K 7/1424; H05K 7/1427-7/1439; H05K 7/1461; H05K

7/1464-7/1474; H05K 7/1485-7/1488; H05K 2201/09745; H05K 2201/09754; H05K 2201/09763; H05K 2201/09772; H05K 2201/098; H05K 2201/09818; H05K 2201/10; H05K 2201/10007; H04N 2201/216; H01R 13/62933; H01R 13/62905; H01R 13/6275; H01R 13/6395; H01R 13/62938; H01R 13/64; H01R 13/645; H01R 13/6456; H01R 13/635; H01R 13/633; H01R 23/7005; H01R 23/682; H01R 23/684; H01R 23/70; H01R 23/7068; H01R 23/7026; H01R 31/065; H01R 27/02; H01R 2103/00

See application file for complete search history.

(56) **References Cited**

U.S. PATENT DOCUMENTS

5,119,497 A \* 6/1992 Freige et al. .... 361/679.46  
D346,581 S \* 5/1994 Tattari ..... D13/103

(Continued)

*Primary Examiner* — Susan Moon Lee

(74) *Attorney, Agent, or Firm* — Osha Liang LLP

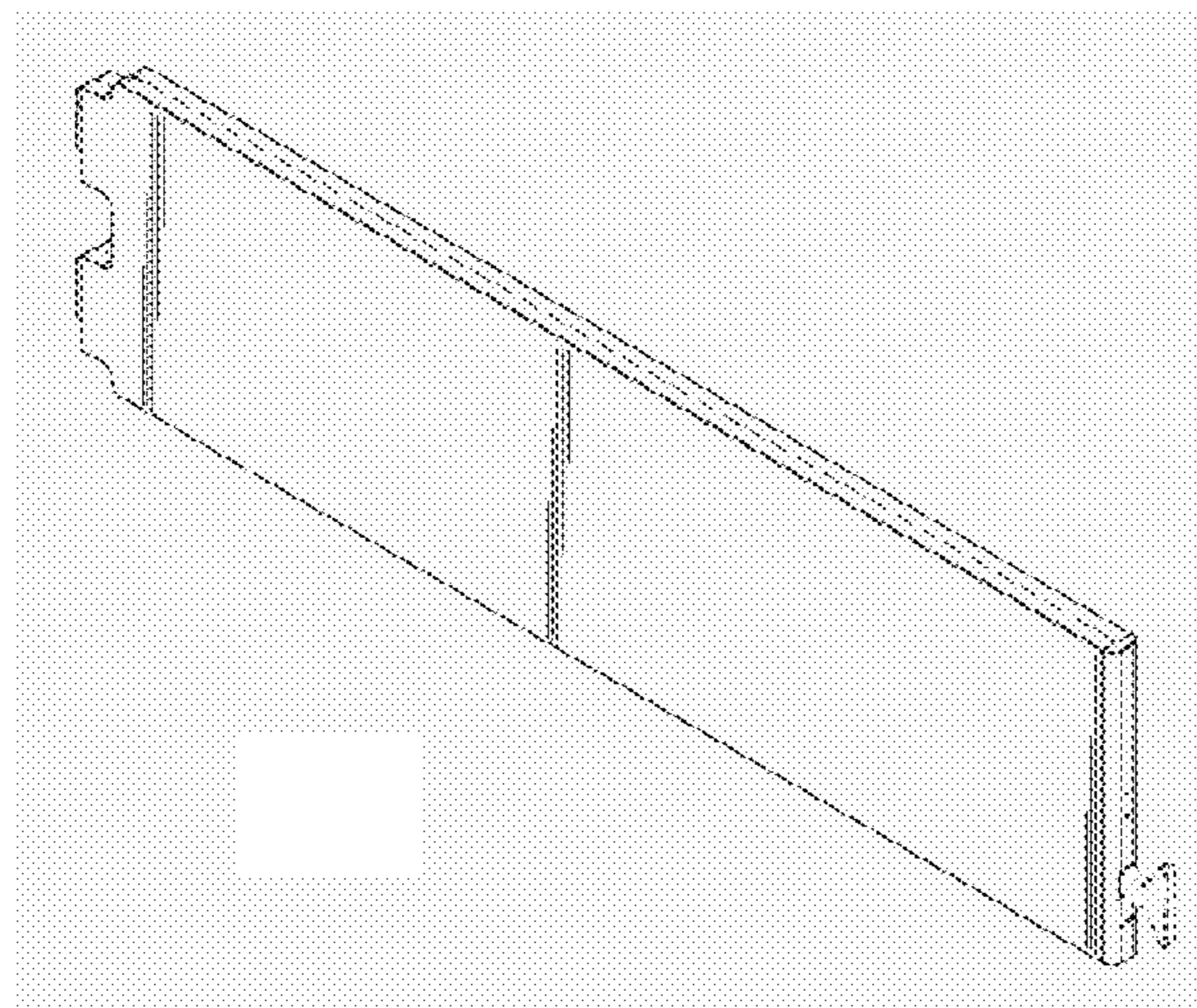
(57) **CLAIM**

The ornamental design for a flash module, as shown and described.

**DESCRIPTION**

FIG. 1 is a first perspective view of a flash module showing the new design;  
FIG. 2 is a second perspective thereof;  
FIG. 3 is a side view thereof;  
FIG. 4 is a top view thereof;  
FIG. 5 is a bottom view thereof;  
FIG. 6 is a front view thereof;  
FIG. 7 is a reduced front perspective view of the bezel portion of the flash module; and,  
FIG. 8 is a rear view thereof.  
Broken lines and unshaded portions contained within broken lines are not claimed.

**1 Claim, 5 Drawing Sheets**



(56)

References Cited

U.S. PATENT DOCUMENTS

5,391,094	A *	2/1995	Kakinoki et al. ....	439/638	D684,532	S *	6/2013	Ignor et al. ....	D13/103
D368,911	S *	4/1996	Lam .....	D14/242	D685,319	S *	7/2013	Ignor et al. ....	D13/103
D386,742	S *	11/1997	Amero et al. ....	D13/103	D685,731	S *	7/2013	Brown et al. ....	D13/103
5,756,227	A *	5/1998	Suzuki et al. ....	429/62	D686,148	S *	7/2013	Inaba .....	D13/103
5,817,434	A *	10/1998	Brooker et al. ....	429/49	D686,215	S *	7/2013	Andre et al. ....	D14/436
D406,098	S *	2/1999	Walter et al. ....	D13/103	D688,622	S *	8/2013	Schulz et al. ....	D13/103
D427,159	S *	6/2000	Oba .....	D13/182	D689,018	S *	9/2013	Honda et al. ....	D13/103
D427,193	S *	6/2000	Fedele .....	D14/348	D689,019	S *	9/2013	Sato et al. ....	D13/103
D466,094	S *	11/2002	Marcotte et al. ....	D13/182	D690,262	S *	9/2013	Huang et al. ....	D13/103
D475,355	S *	6/2003	Hori et al. ....	D13/182	D693,292	S *	11/2013	Salvi et al. ....	D13/103
D479,193	S *	9/2003	Fujihara et al. ....	D13/103	D699,178	S *	2/2014	Ashida et al. ....	D13/103
D481,995	S *	11/2003	Yokota .....	D13/103	D700,135	S *	2/2014	Sato et al. ....	D13/103
D485,530	S *	1/2004	Ogasawara .....	D13/103	D705,782	S *	5/2014	McParland et al. ....	D14/435
D486,830	S *	2/2004	Kadonaga .....	D14/435	D709,823	S *	7/2014	Corley et al. ....	D13/103
D492,649	S *	7/2004	Resch et al. ....	D13/103	D709,894	S *	7/2014	Fetterman et al. ....	D14/436
D524,241	S *	7/2006	Takeshita et al. ....	D13/103	D716,310	S *	10/2014	Andre et al. ....	D14/436
D539,761	S *	4/2007	Takahashi et al. ....	D13/182	D716,721	S *	11/2014	Kwon et al. ....	D13/103
D542,788	S *	5/2007	Gutmann et al. ....	D14/480.5	D716,743	S *	11/2014	Hu .....	D13/182
D548,176	S *	8/2007	Eto et al. ....	D13/103	D719,085	S *	12/2014	Aoyagi et al. ....	D13/103
D548,201	S *	8/2007	Jones .....	D13/182	D719,926	S *	12/2014	Sohn et al. ....	D13/182
D548,686	S *	8/2007	Eto et al. ....	D13/103	8,942,057	BI *	1/2015	Xiao et al. ....	365/228
D578,526	S *	10/2008	Hwangbo .....	D14/341	D724,013	S *	3/2015	Zsolcsak et al. ....	D13/103
D585,366	S *	1/2009	Burchette .....	D13/103	D729,249	S *	5/2015	Sun et al. ....	D14/435
D587,267	S *	2/2009	Wang .....	D14/356	D730,906	S *	6/2015	Amit et al. ....	D14/435
D594,402	S *	6/2009	Inoue et al. ....	D13/103	D733,713	S *	7/2015	Shim et al. ....	D14/435
D599,795	S *	9/2009	Lindley .....	D14/358	2006/0093899	A1 *	5/2006	Jeon et al. ....	429/99
7,595,129	B2 *	9/2009	Kato .....	429/122	2006/0109619	A1 *	5/2006	Ito et al. ....	361/683
D622,659	S *	8/2010	Soeda et al. ....	D13/103	2007/0032117	A1 *	2/2007	Huang et al. ....	439/327
D622,713	S *	8/2010	Chung et al. ....	D14/242	2007/0231682	A1 *	10/2007	Aoyama et al. ....	429/160
D623,590	S *	9/2010	Otani et al. ....	D13/103	2007/0292753	A1 *	12/2007	Zama et al. ....	429/181
D631,835	S *	2/2011	Neidhart .....	D13/103	2008/0112125	A1 *	5/2008	Martin et al. ....	361/685
D634,705	S *	3/2011	Yip et al. ....	D13/103	2010/0216341	A1 *	8/2010	Bryant-Rich .....	439/607.22
D637,193	S *	5/2011	Andre et al. ....	D14/436	2010/0217910	A1 *	8/2010	Bryant-Rich .....	710/301
D642,980	S *	8/2011	Inaba .....	D13/119	2010/0265675	A1 *	10/2010	Aoki et al. ....	361/752
D645,813	S *	9/2011	Yamauchi et al. ....	D13/103	2011/0003179	A1 *	1/2011	Jang .....	429/7
D647,097	S *	10/2011	Tung et al. ....	D14/480.1	2011/0043994	A1 *	2/2011	Cheng et al. ....	361/679.33
D649,933	S *	12/2011	Wang et al. ....	D13/110	2013/0034763	A1 *	2/2013	Byun .....	429/96
D650,325	S *	12/2011	Kim et al. ....	D13/103	2013/0070410	A1 *	3/2013	Chen et al. ....	361/679.31
D652,041	S *	1/2012	Andre et al. ....	D14/436	2013/0083453	A1 *	4/2013	Kobayashi .....	361/502
D655,296	S *	3/2012	Andre et al. ....	D14/436	2013/0164585	A1 *	6/2013	Kwak et al. ....	429/96
D660,787	S *	5/2012	Lambert et al. ....	D13/103	2013/0240629	A1 *	9/2013	Pesonen et al. ....	235/486
D664,917	S *	8/2012	Taguchi .....	D13/103	2014/0003032	A1 *	1/2014	Yun .....	362/97.1
D666,144	S *	8/2012	Brand et al. ....	D13/103	2014/0038021	A1 *	2/2014	Goesmann et al. ....	429/120
D666,148	S *	8/2012	Inaba .....	D13/119	2014/0078660	A1 *	3/2014	Dondzik et al. ....	361/679.31
D669,427	S *	10/2012	Ignor et al. ....	D13/103	2014/0087787	A1 *	3/2014	Rivera-Sanchez .....	455/556.1
D675,215	S *	1/2013	Akana et al. ....	D14/480.1	2014/0098480	A1 *	4/2014	Foster et al. ....	361/679.31
D678,188	S *	3/2013	Sasada .....	D13/103	2014/0145574	A1 *	5/2014	Henne et al. ....	312/234.1
D683,305	S *	5/2013	Gupta et al. ....	D13/103	2014/0252410	A1 *	9/2014	Laschek-Enders .....	257/141
D684,531	S *	6/2013	Moon et al. ....	D13/103	2014/0302363	A1 *	10/2014	Miyawaki et al. ....	429/90
					2015/0077153	A1 *	3/2015	Kim et al. ....	324/757.01

\* cited by examiner

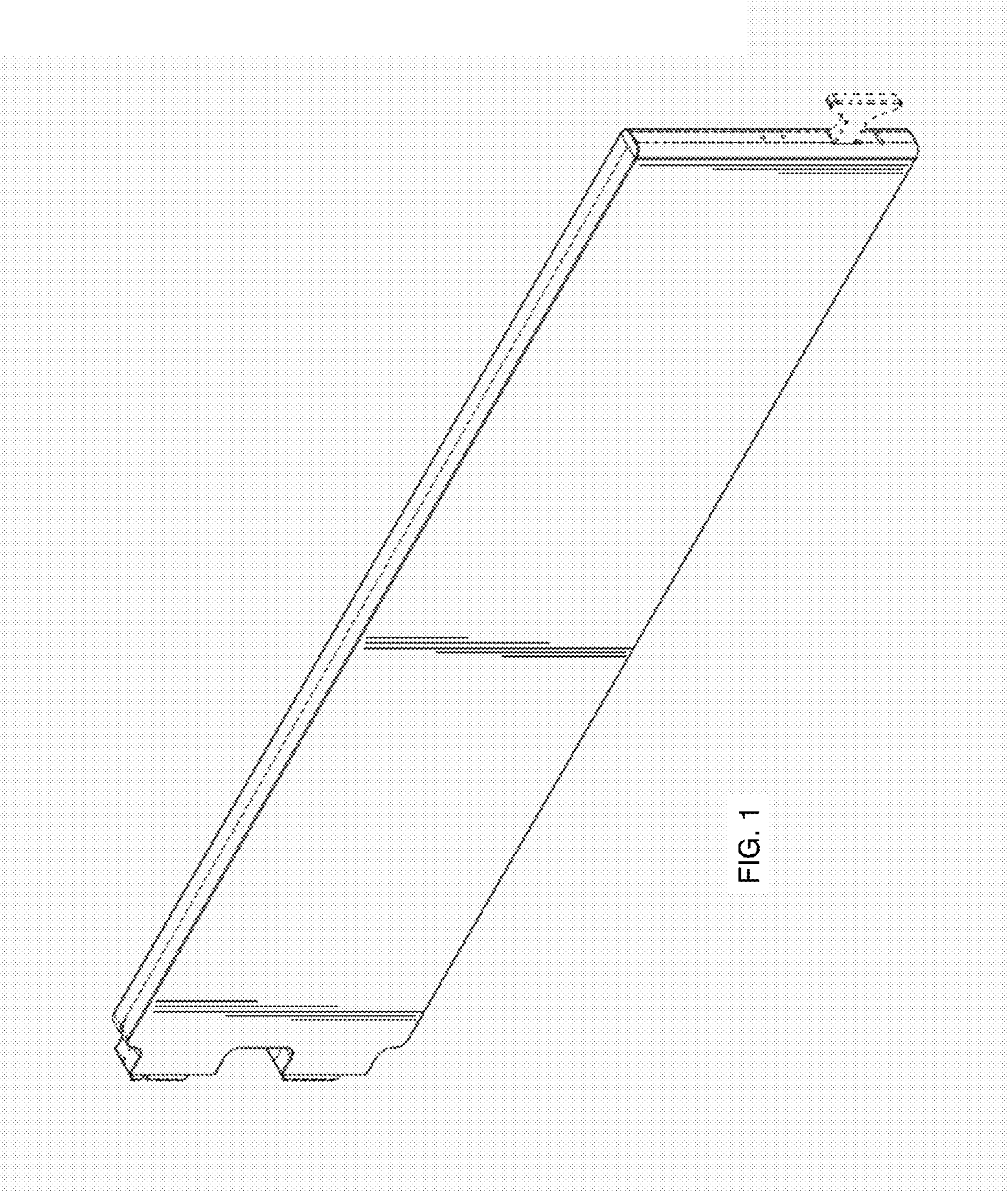
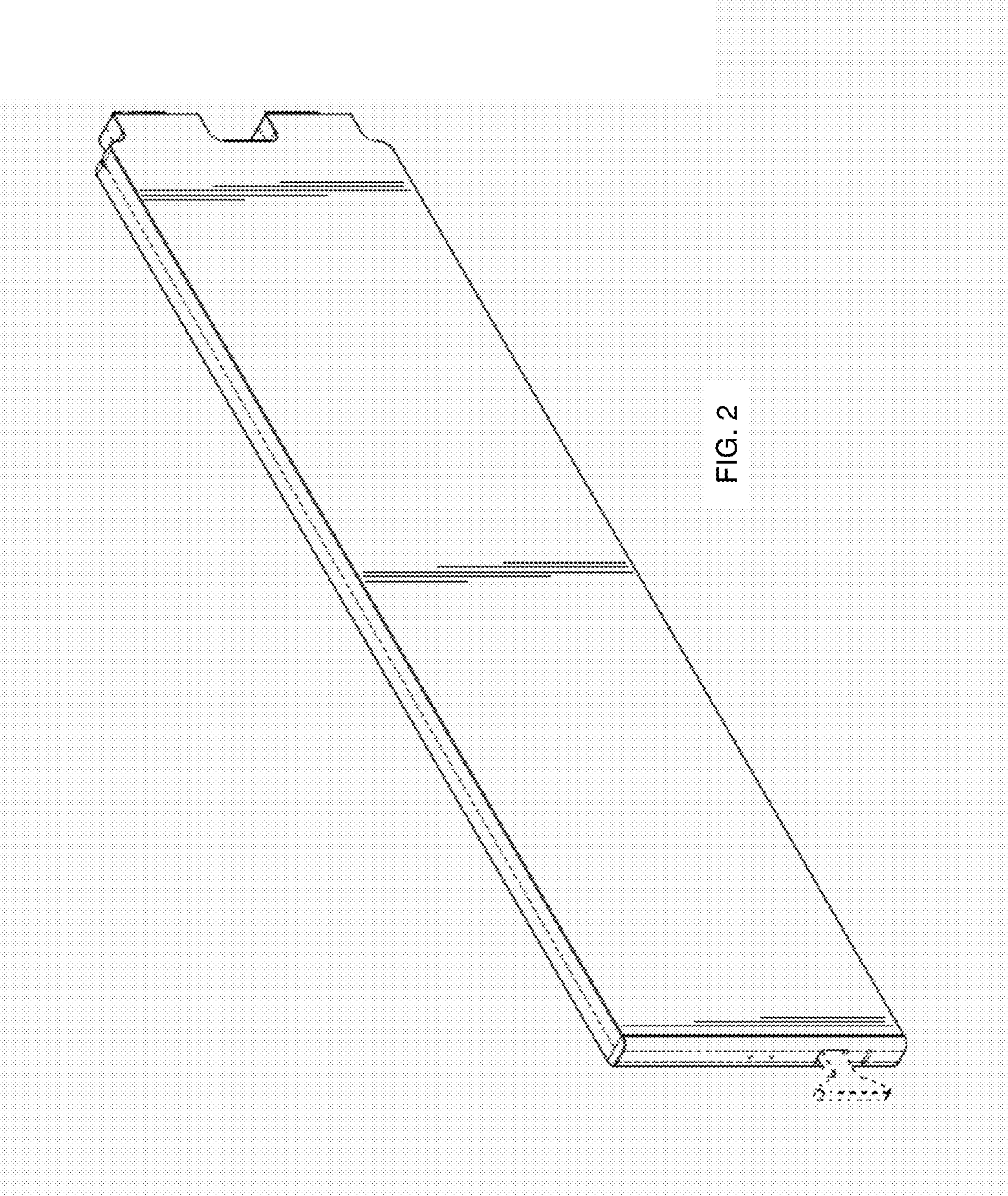


FIG. 1



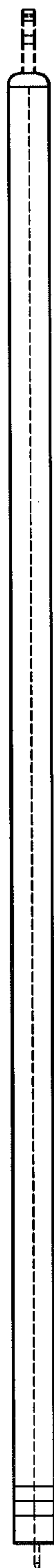


FIG. 3

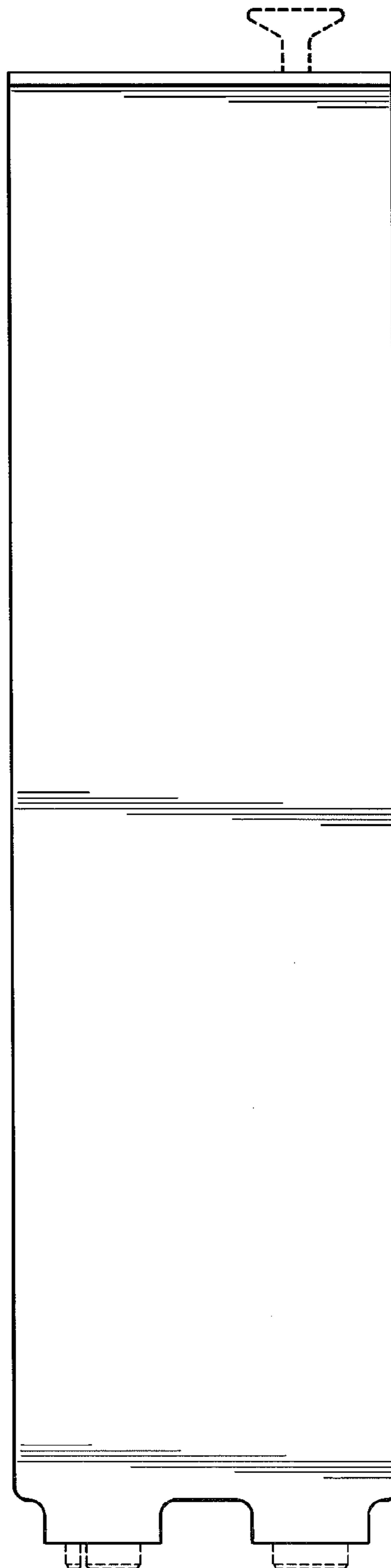


FIG. 4



FIG. 5



FIG. 8



FIG. 7

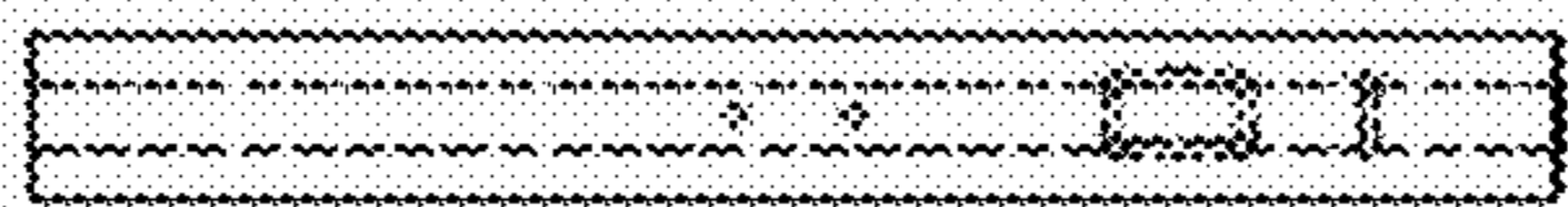


FIG. 6